



US00D841072S

(12) **United States Design Patent** (10) **Patent No.:** **US D841,072 S**
Pröll (45) **Date of Patent:** **** Feb. 19, 2019**

(54) **SPYGLASS**

7/12; G02B 23/00; G02B 23/16; G02B 23/23; G02B 2027/0134; G02B 2027/26

See application file for complete search history.

(71) Applicant: **SWAROVSKI-OPTIK KG.**, Absam
(AT)

(56) **References Cited**

(72) Inventor: **Julian Pröll**, Linz (AT)

U.S. PATENT DOCUMENTS

(73) Assignee: **SWAROVSKI-OPTIK KG.**, Absam
(AT)

D367,662	S	*	3/1996	Chan	D16/132
6,266,185	B1	*	7/2001	Miller	G02B 7/06 359/407
D486,507	S	*	2/2004	Fujii	D16/133
D492,335	S	*	6/2004	Watanabe	D16/133
D521,037	S	*	5/2006	Swift	D16/133
D523,047	S	*	6/2006	Swift	D16/133
D551,272	S	*	9/2007	Fujii	D16/133
D567,275	S	*	4/2008	Hayamizu	D16/133
D590,857	S	*	4/2009	Fujii	D16/133
D623,676	S	*	9/2010	Yanagisawa	D16/133
D627,378	S	*	11/2010	Watanabe	D16/133
D662,118	S	*	6/2012	Soejima	D16/133
D662,119	S	*	6/2012	Hoshi	D16/133
D687,081	S	*	7/2013	Radau	D16/133
D713,437	S	*	9/2014	Soejima	D16/133
D748,177	S	*	1/2016	Radau	D16/133
D780,243	S	*	2/2017	Marsiglia	D16/133
D783,073	S	*	4/2017	Radau	D16/133
D816,749	S	*	5/2018	Kung	D16/133
D816,750	S	*	5/2018	Nakajima	D16/133
2006/0023302	A1	*	2/2006	Shimizu	G02B 25/004 359/407
2016/0341949	A1	*	11/2016	Heinrich	G01C 3/04
2017/0010436	A1	*	1/2017	Leitner	G02B 7/06

(**) Term: **15 Years**

(21) Appl. No.: **35/503,811**

(22) Filed: **Oct. 2, 2017**

(80) **Hague Agreement Data**

Int. Filing Date: **Oct. 2, 2017**

Int. Reg. No.: **DM/097892**

Int. Reg. Date: **Oct. 2, 2017**

Int. Reg. Pub. Date: **Oct. 13, 2017**

(51) **LOC (11) Cl.** **16-16**

(52) **U.S. Cl.**
USPC **D16/133**
CPC **G02B 7/06** (2013.01)

(58) **Field of Classification Search**
USPC D10/70; D16/130-133, 136, 200-203,
D16/217-219, 237, 341; D20/34, 110,
D20/10, 20; D17/99; 359/407
CPC ... G01C 3/00; G01C 3/02; G01C 3/04; G01C
3/06; G01C 3/08; G01C 3/085; G01C
3/10; G01C 3/12; G01C 3/161; G01C
3/07; G01C 3/20; G01C 3/22; G01C
3/24; G01C 3/26; G01C 3/28; G01C
3/30; G01C 3/32; G02B 2027/0123;
G02B 2027/0132; G02B 7/06; G02B

* cited by examiner

Primary Examiner — Richard E Chilcot

(74) *Attorney, Agent, or Firm* — Collard & Roe, P.C.

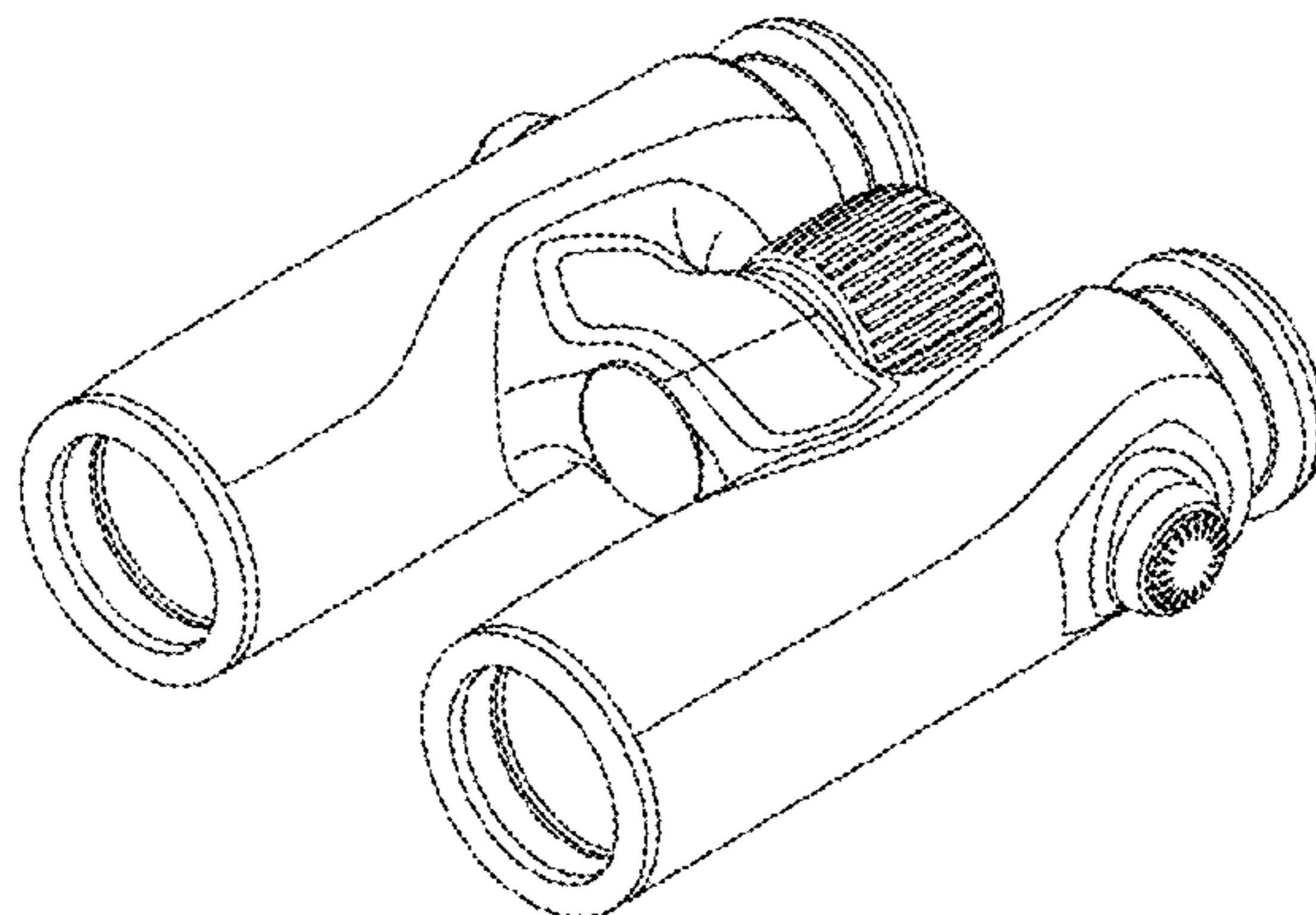
(57) **CLAIM**

The ornamental design for a spyglass, as shown and described.

DESCRIPTION

- 1. Spyglass
- 1.1: Perspective
- 1.2: Back
- 1.3: Left

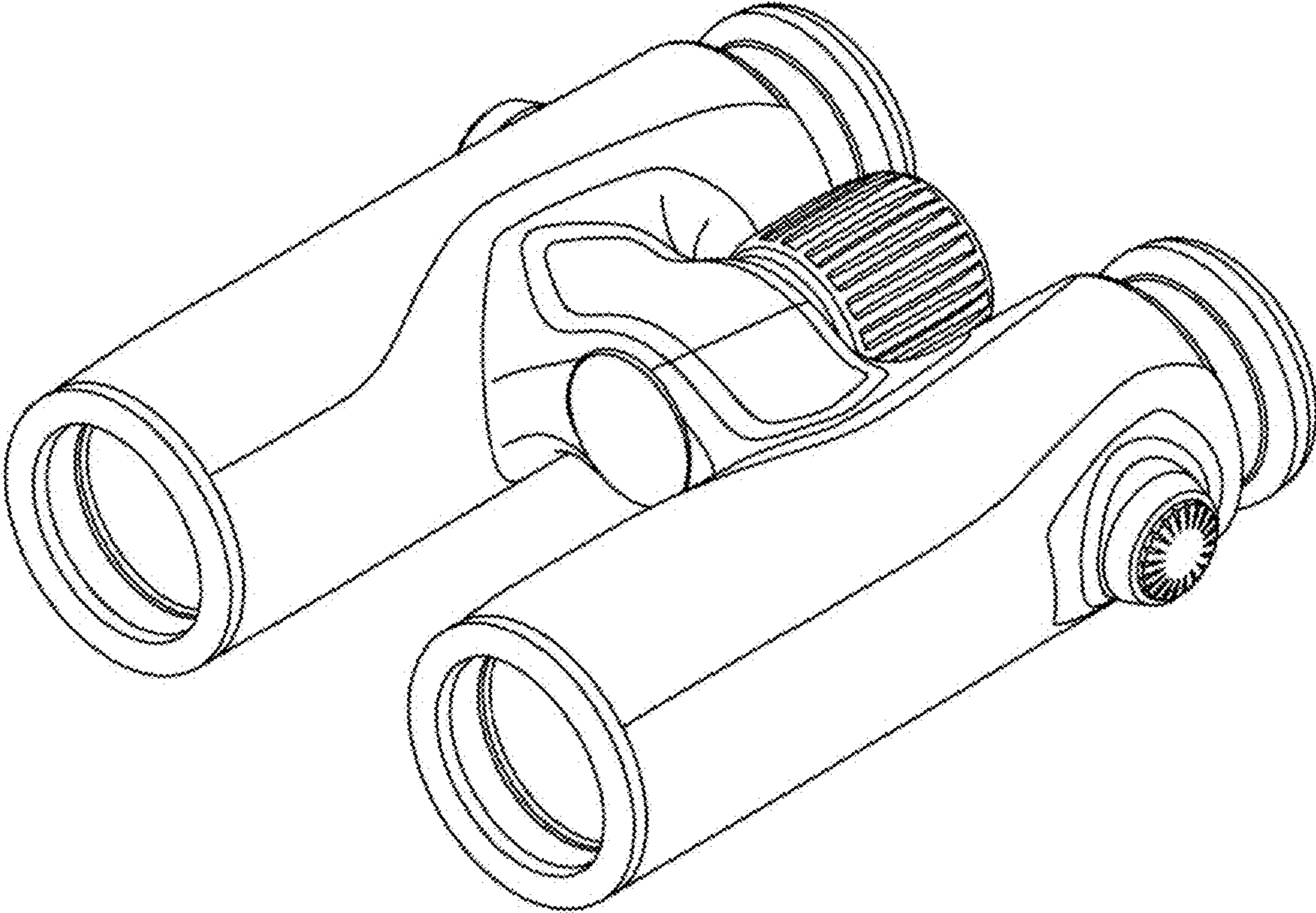
(Continued)



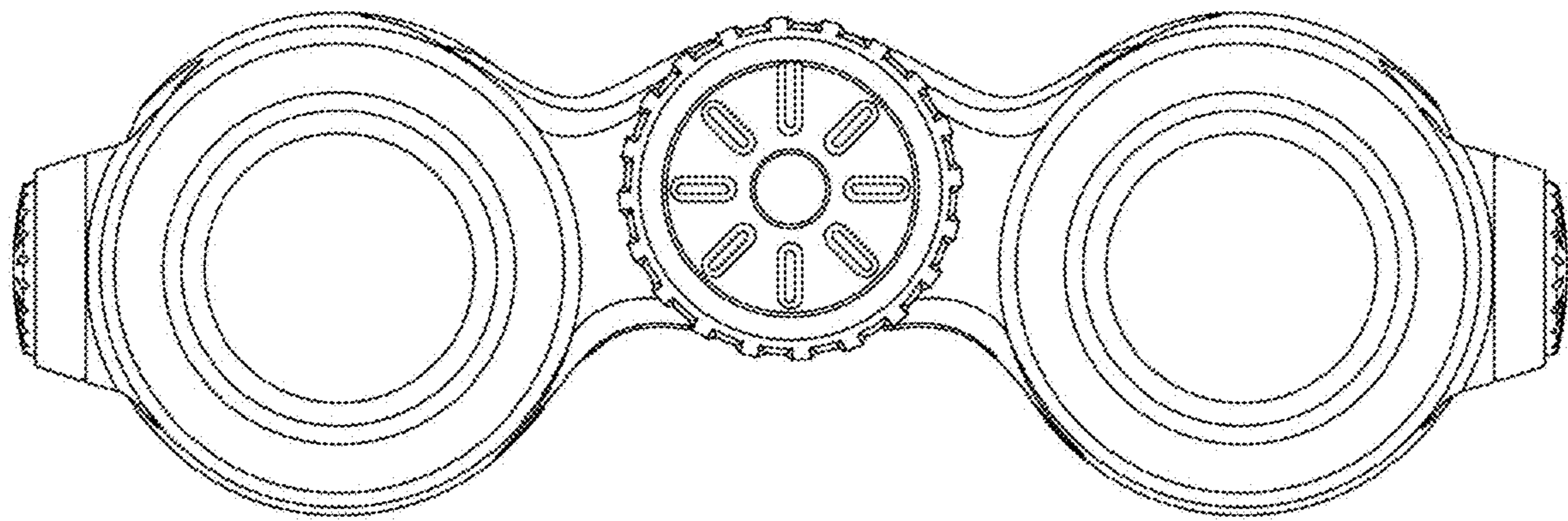
1.4: Top
1.5: Right
1.6: Bottom
1.7: Front

1 Claim, 7 Drawing Sheets

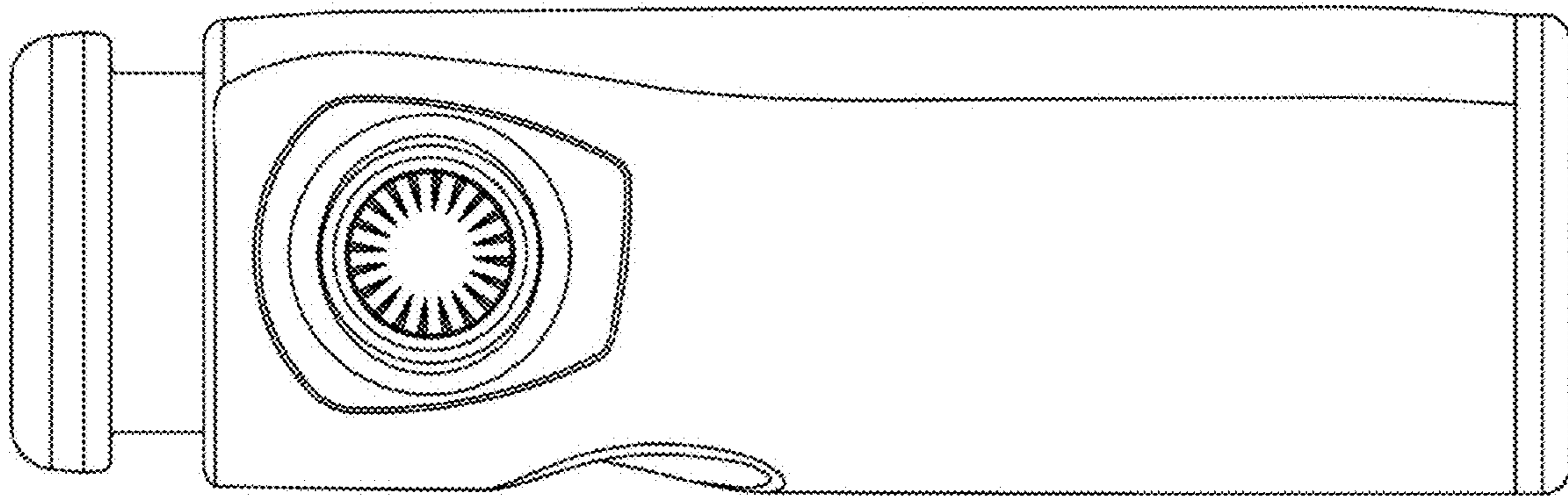
1.1



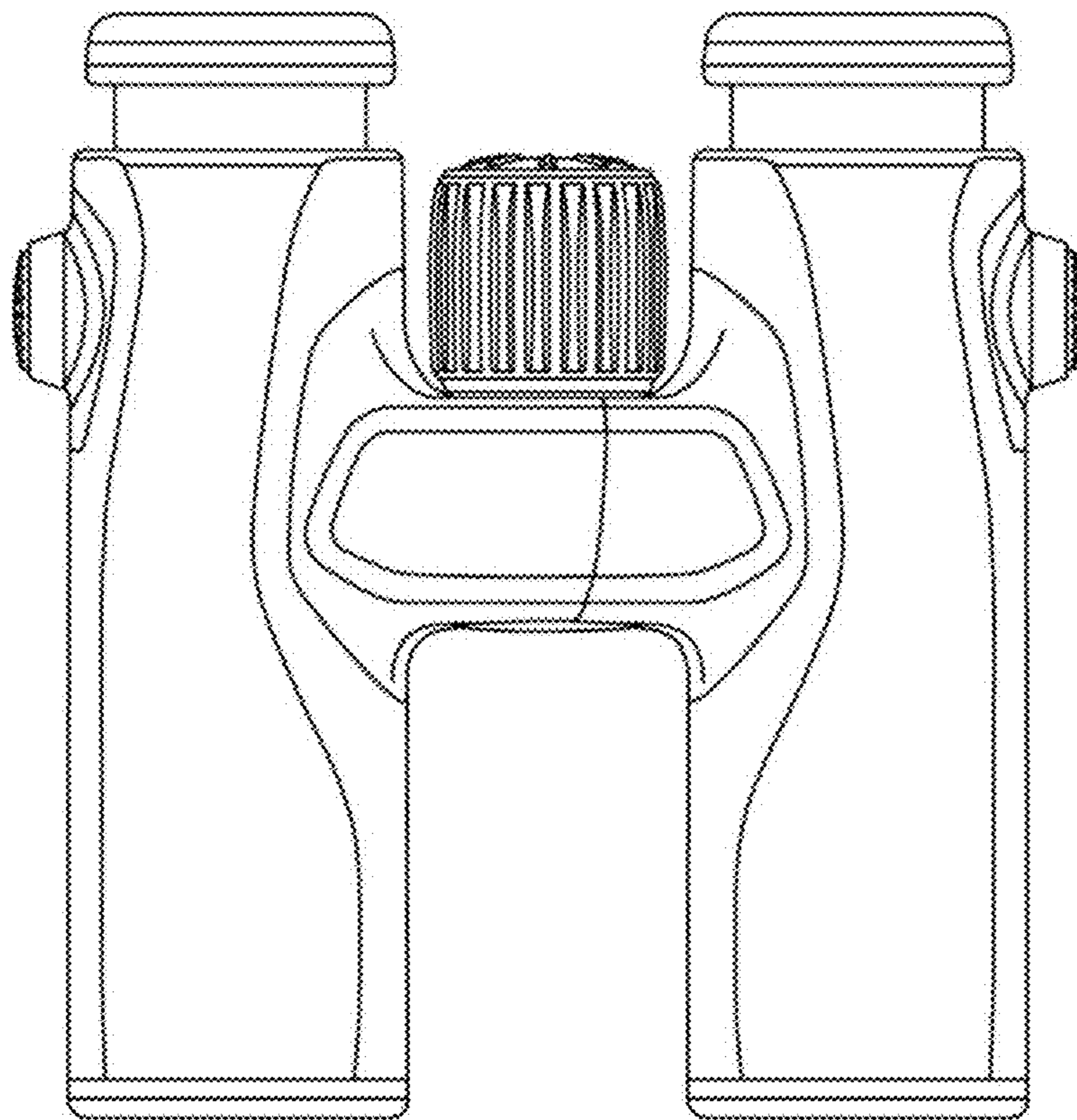
1.2



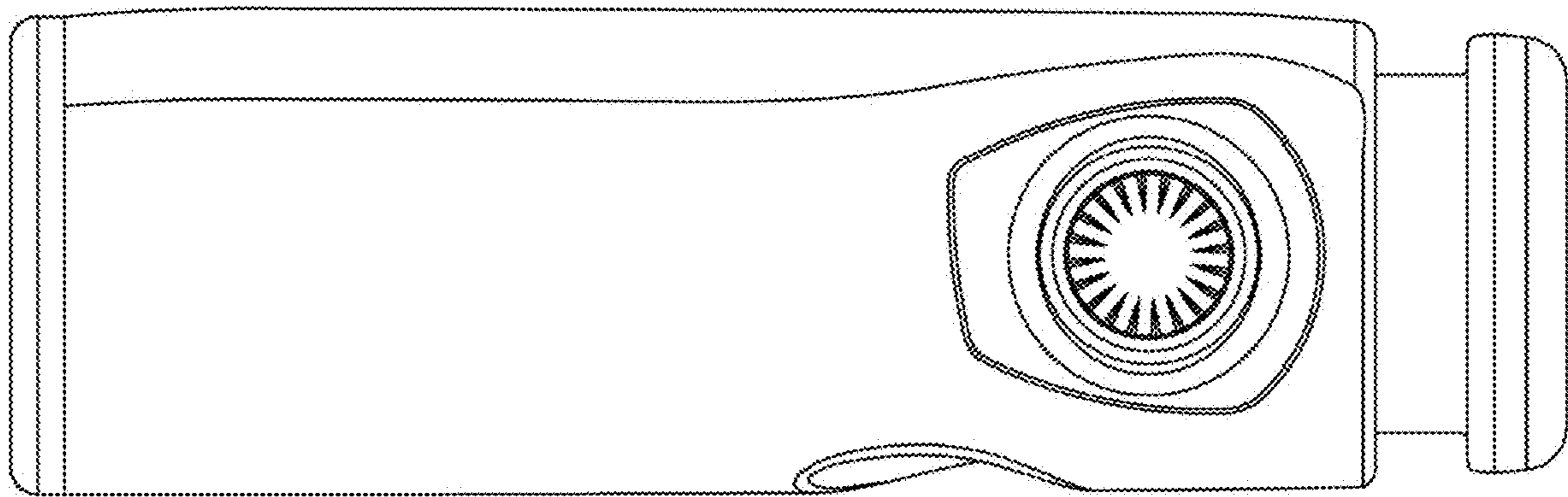
1.3

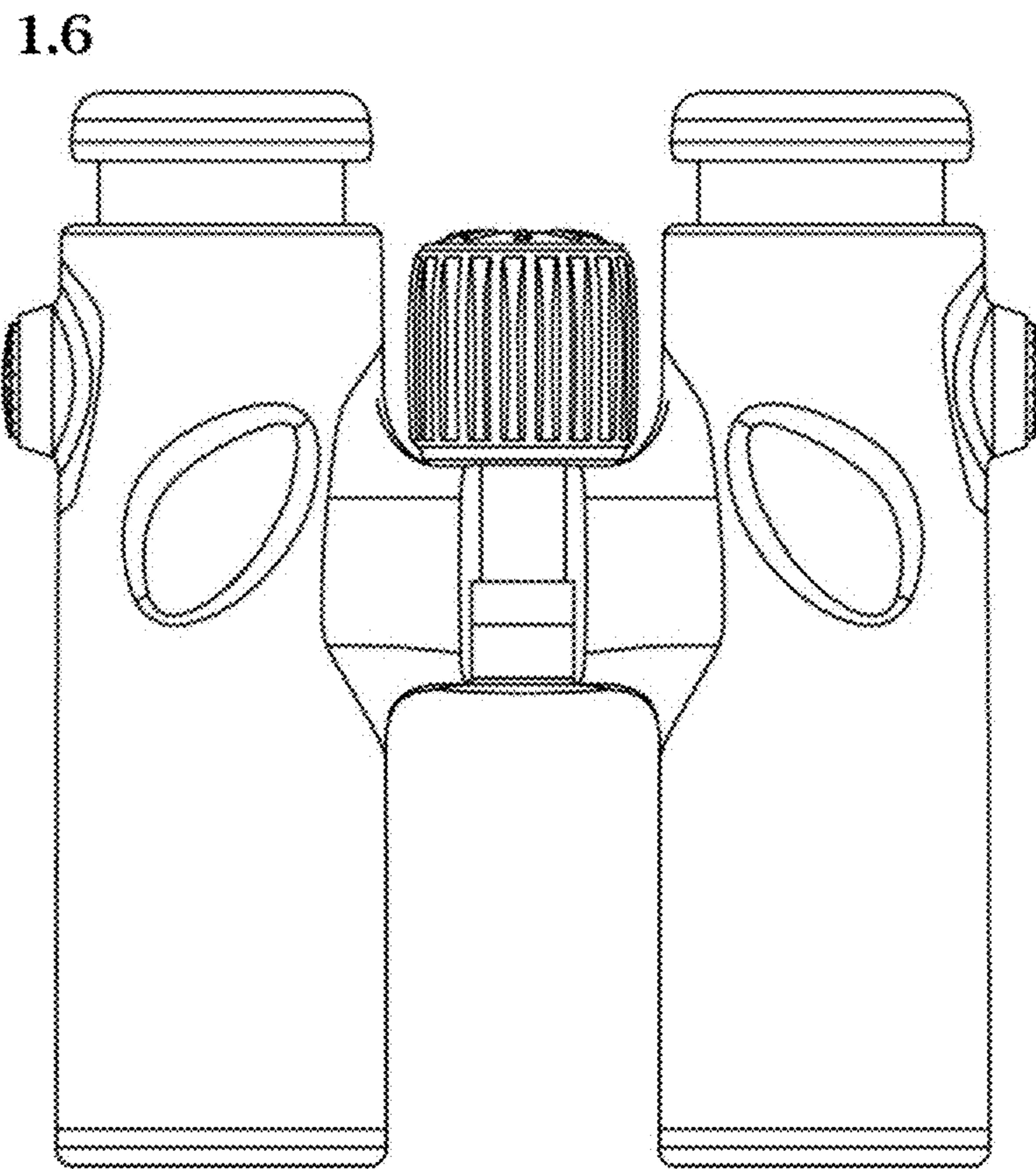


1.4



1.5





1.7

