



US00D841071S

(12) **United States Design Patent**
Soejima

(10) **Patent No.:** **US D841,071 S**
(45) **Date of Patent:** **** Feb. 19, 2019**

(54) **BINOCULARS**

D748,177 S * 1/2016 Radau D16/133
D780,243 S * 2/2017 Marsiglia D16/133
2013/0253820 A1* 9/2013 Denk G02B 23/10
701/491

(71) Applicant: **Nikon Vision Co., Ltd.**, Tokyo (JP)

(72) Inventor: **Kenichi Soejima**, Yokohama (JP)

(73) Assignee: **Nikon Vision Co., Ltd.**, Tokyo (JP)

(**) Term: **15 Years**

(21) Appl. No.: **29/588,739**

(22) Filed: **Dec. 22, 2016**

(51) **LOC (11) Cl.** **16-06**

(52) **U.S. Cl.**
USPC **D16/133**

(58) **Field of Classification Search**
USPC D16/130, 132, 133, 136; D3/267
CPC G02B 2027/0123; G02B 2027/0132; G02B
7/06; G02B 7/12; G02B 23/00; G02B
23/16; G02B 2027/0134; G02B 27/26;
G02B 23/18

See application file for complete search history.

(56) **References Cited**

U.S. PATENT DOCUMENTS

D492,335 S * 6/2004 Watanabe D16/133
D507,289 S 7/2005 Meinzer
D567,275 S * 4/2008 Hayamizu D16/133
D590,855 S * 4/2009 Watanabe D16/133
D590,857 S * 4/2009 Fujii D16/133
D623,676 S * 9/2010 Yanagisawa D16/133
D646,311 S * 10/2011 Hoelbl D16/133
D662,119 S * 6/2012 Hoshi D16/133
D687,081 S * 7/2013 Radau D16/133
D700,643 S * 3/2014 Yokoi D16/133
D713,437 S * 9/2014 Soejima D16/133

FOREIGN PATENT DOCUMENTS

EM 000844766-0001 12/2007
EM 001091235-0001 2/2009
JP 1439518 5/2012
JP 1564758 12/2016

* cited by examiner

Primary Examiner — Mark A Goodwin

Assistant Examiner — Benjamin M Weeks

(74) *Attorney, Agent, or Firm* — Wolf, Greenfield & Sacks, P.C.

(57) **CLAIM**

The ornamental design for binoculars, as shown and described.

DESCRIPTION

FIG. 1 is a perspective view of binoculars showing my new design;

FIG. 2 is a front view thereof;

FIG. 3 is a rear view thereof;

FIG. 4 is a top plan view thereof;

FIG. 5 is a right side view thereof; and,

FIG. 6 is a left side view thereof.

The features shown in broken lines in the drawings form no part of the claimed design. The dash-dotted lines in the drawings denote boundaries of the claim and form no part of the claimed design. The unshaded areas bounded by broken lines form no part of the claimed design.

1 Claim, 6 Drawing Sheets

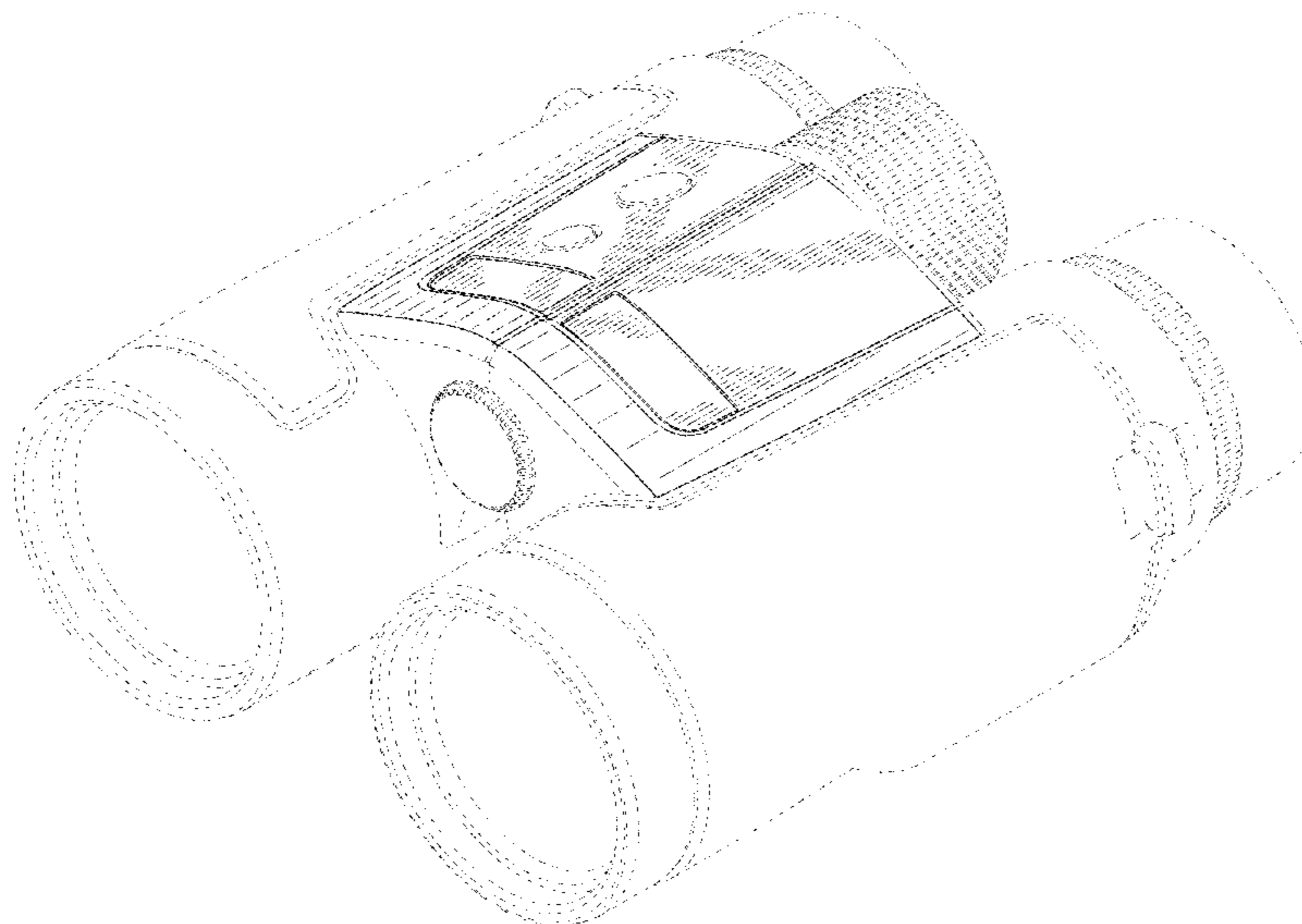


FIG. 1

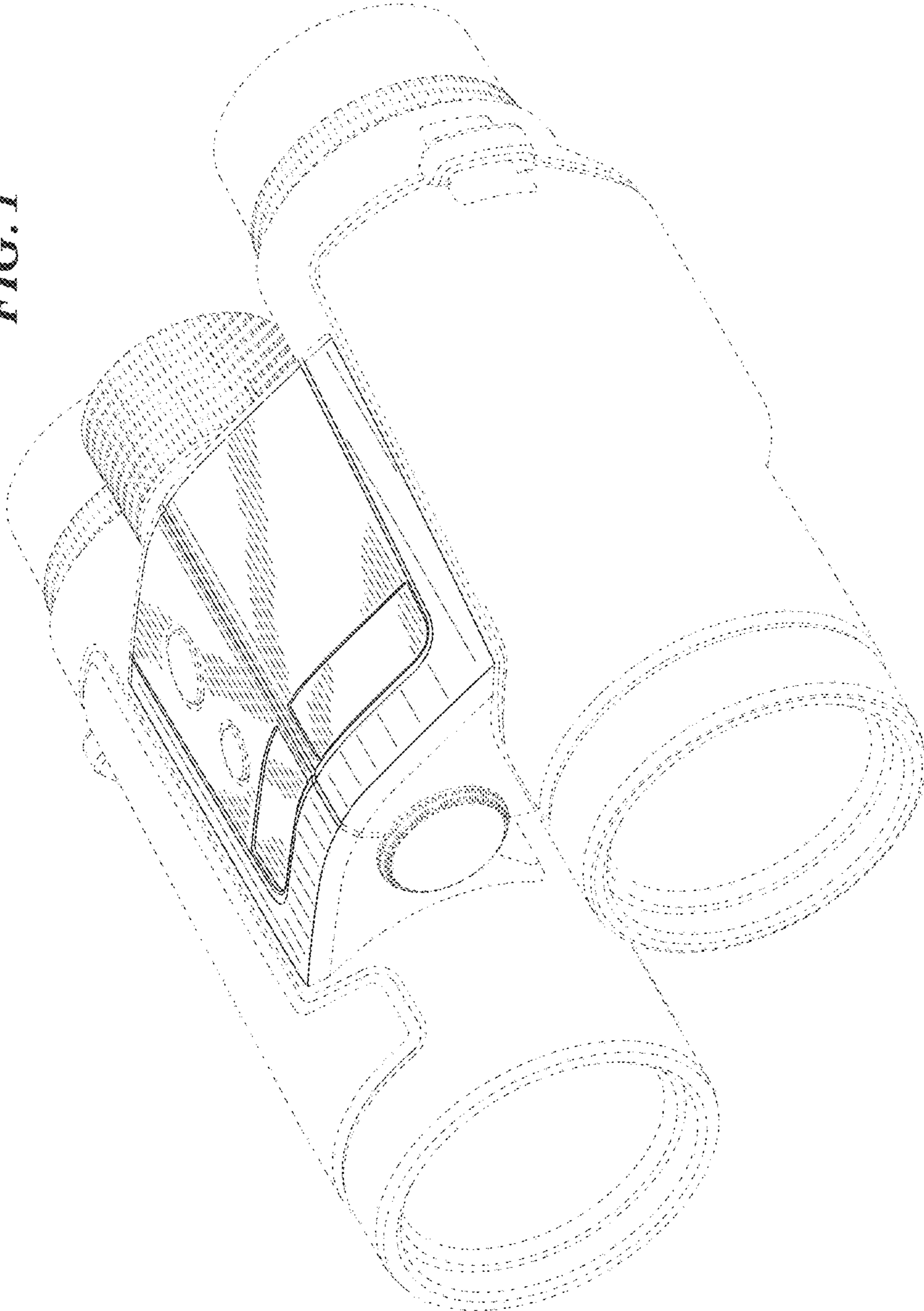


FIG. 2

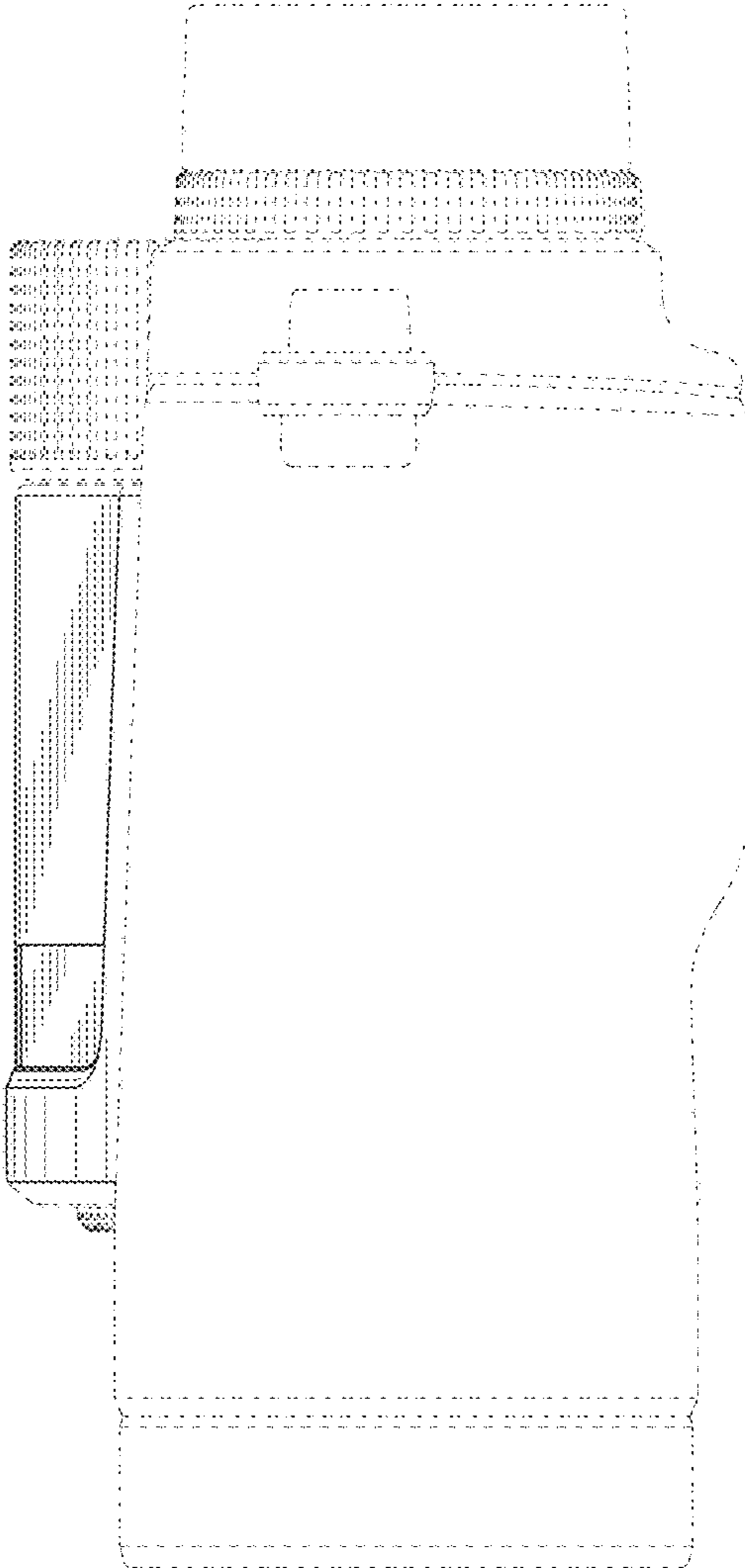


FIG. 3

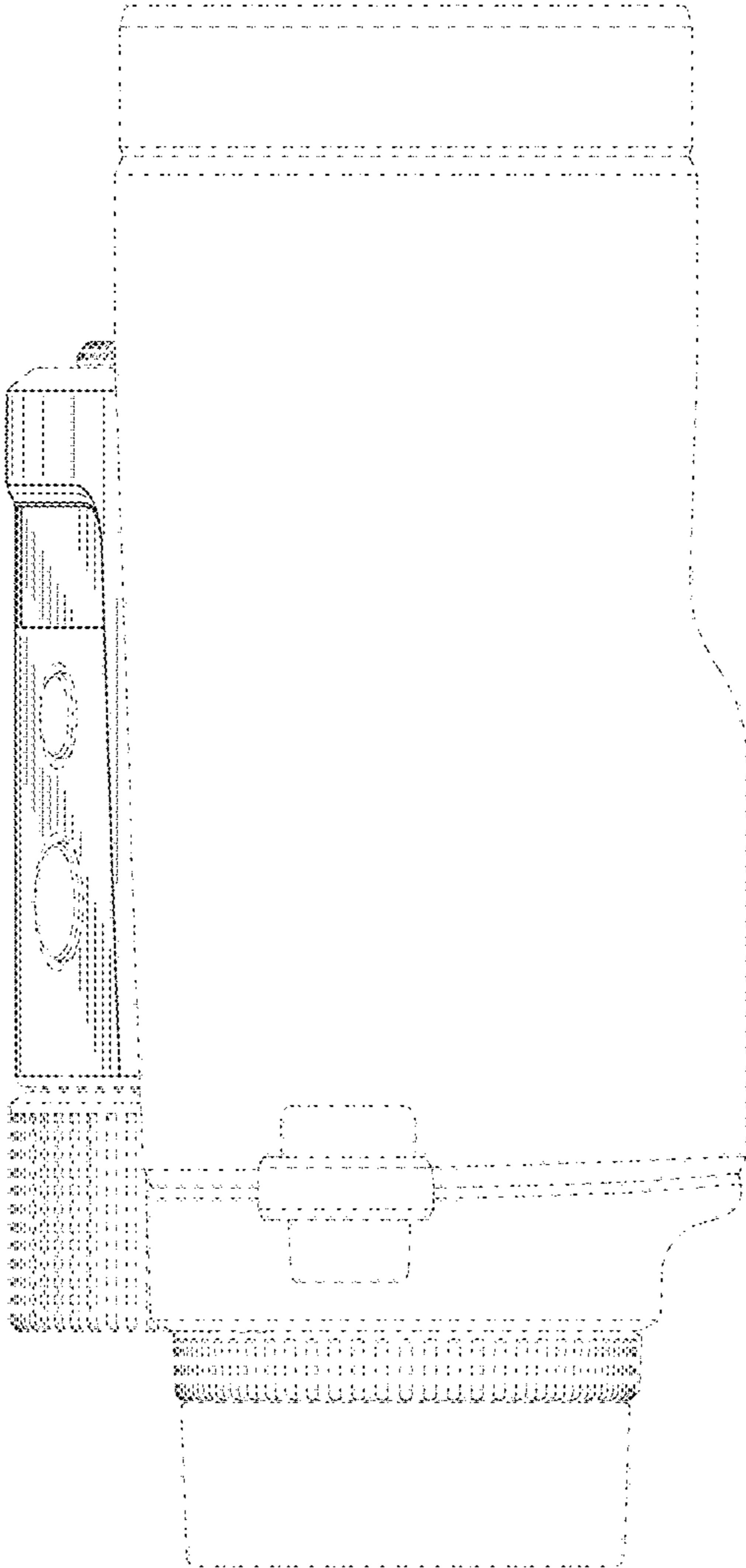


FIG. 4

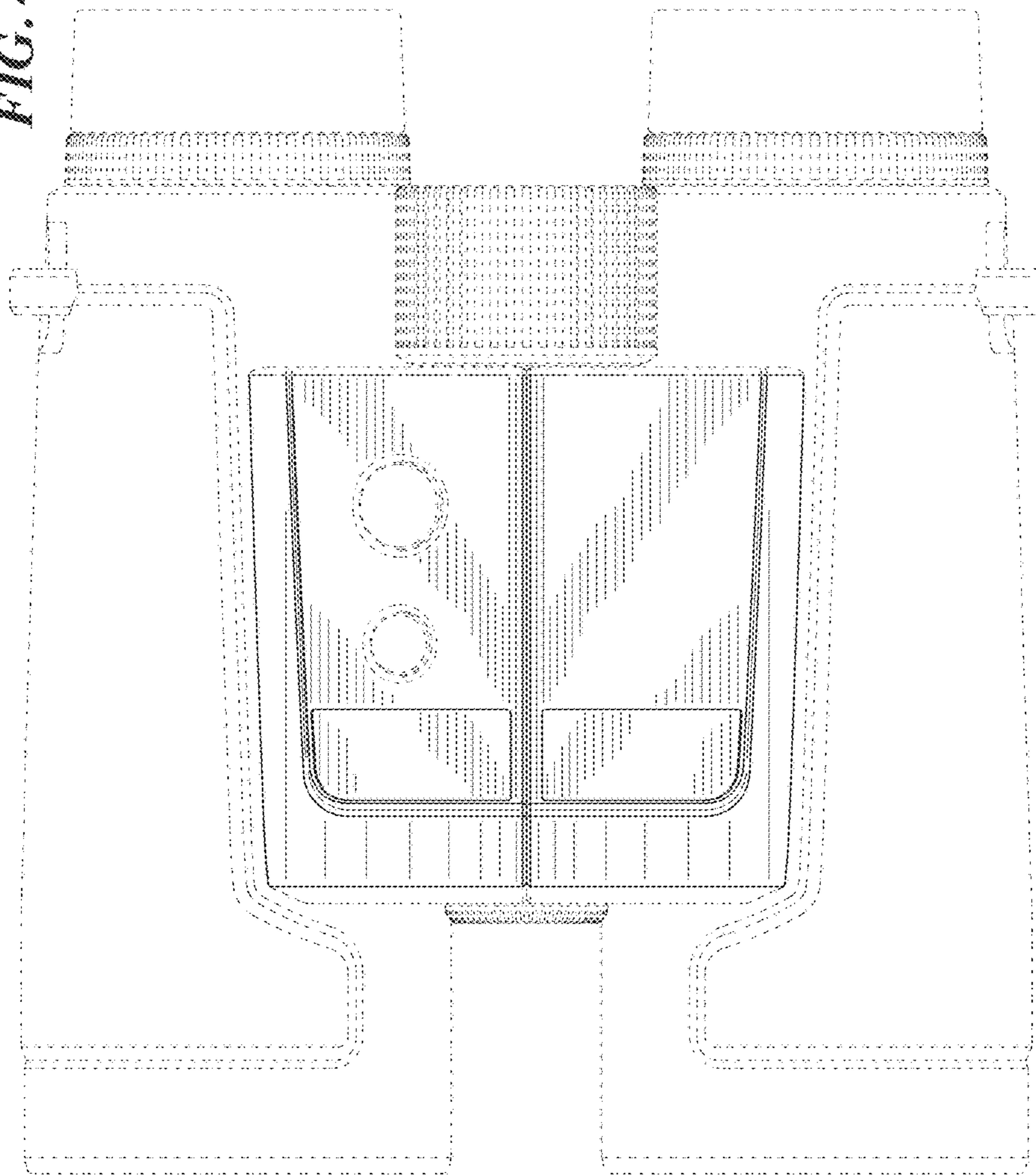


FIG. 5

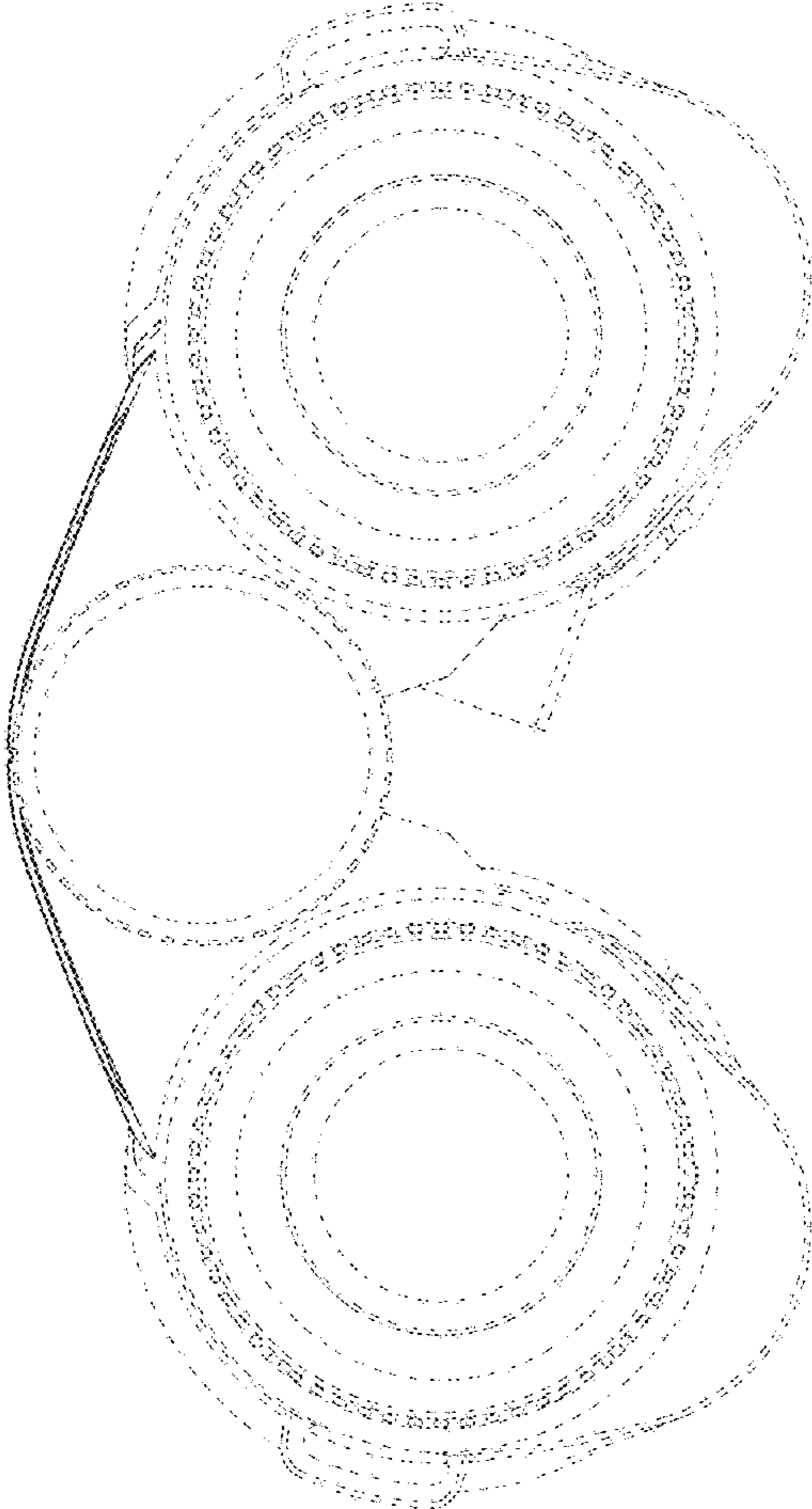


FIG. 6

