



US00D841070S

(12) **United States Design Patent** (10) **Patent No.:** **US D841,070 S**
Matuschek et al. (45) **Date of Patent:** **** Feb. 19, 2019**

(54) **MOUNT FOR A SURGICAL MICROSCOPE**

(71) Applicant: **Carl Zeiss Meditec AG**, Jena (DE)

(72) Inventors: **Walter Matuschek**, Aalen (DE);
Zhenhua Chu, Suzhou (CN);
Shuanghu Zhang, Suzhou (CN)

(73) Assignee: **Carl Zeiss Meditec AG**, Jena (DE)

(**) Term: **15 Years**

(21) Appl. No.: **29/615,690**

(22) Filed: **Aug. 30, 2017**

Related U.S. Application Data

(62) Division of application No. 29/527,335, filed on May 18, 2015, now Pat. No. Des. 800,814.

(30) **Foreign Application Priority Data**

Nov. 19, 2014 (CN) 2014 3 0456635

(51) **LOC (11) Cl.** **16-06**

(52) **U.S. Cl.**
USPC **D16/131**

(58) **Field of Classification Search**
USPC D16/130-136, 214, 239, 318, 334
CPC F41G 3/08
See application file for complete search history.

(56) **References Cited**

U.S. PATENT DOCUMENTS

D328,088 S	7/1992	Horino
5,173,802 A	12/1992	Heller
D342,272 S	12/1993	Saito et al.
5,288,043 A	2/1994	Tigliev
5,332,181 A	7/1994	Schweizer et al.
6,254,046 B1	7/2001	Biber
D506,257 S	6/2005	Smith

7,159,831 B2	1/2007	Gaertner et al.
7,219,864 B2 *	5/2007	Strauss A61B 90/25 248/122.1
D623,210 S *	9/2010	Matuschek D16/131
D634,344 S *	3/2011	Nusser D16/131
D649,992 S	12/2011	Nusser
D650,405 S	12/2011	Nusser
D685,405 S *	7/2013	Butler D16/131
8,584,994 B2 *	11/2013	Butler A61B 90/50 248/122.1
8,830,572 B2	9/2014	Graber
D746,893 S	1/2016	Dong
D758,465 S *	6/2016	Matuschek D16/131

(Continued)

Primary Examiner — Sandra S Snapp

Assistant Examiner — Holly E Thurman

(74) *Attorney, Agent, or Firm* — Walter Ottesen, P.A.

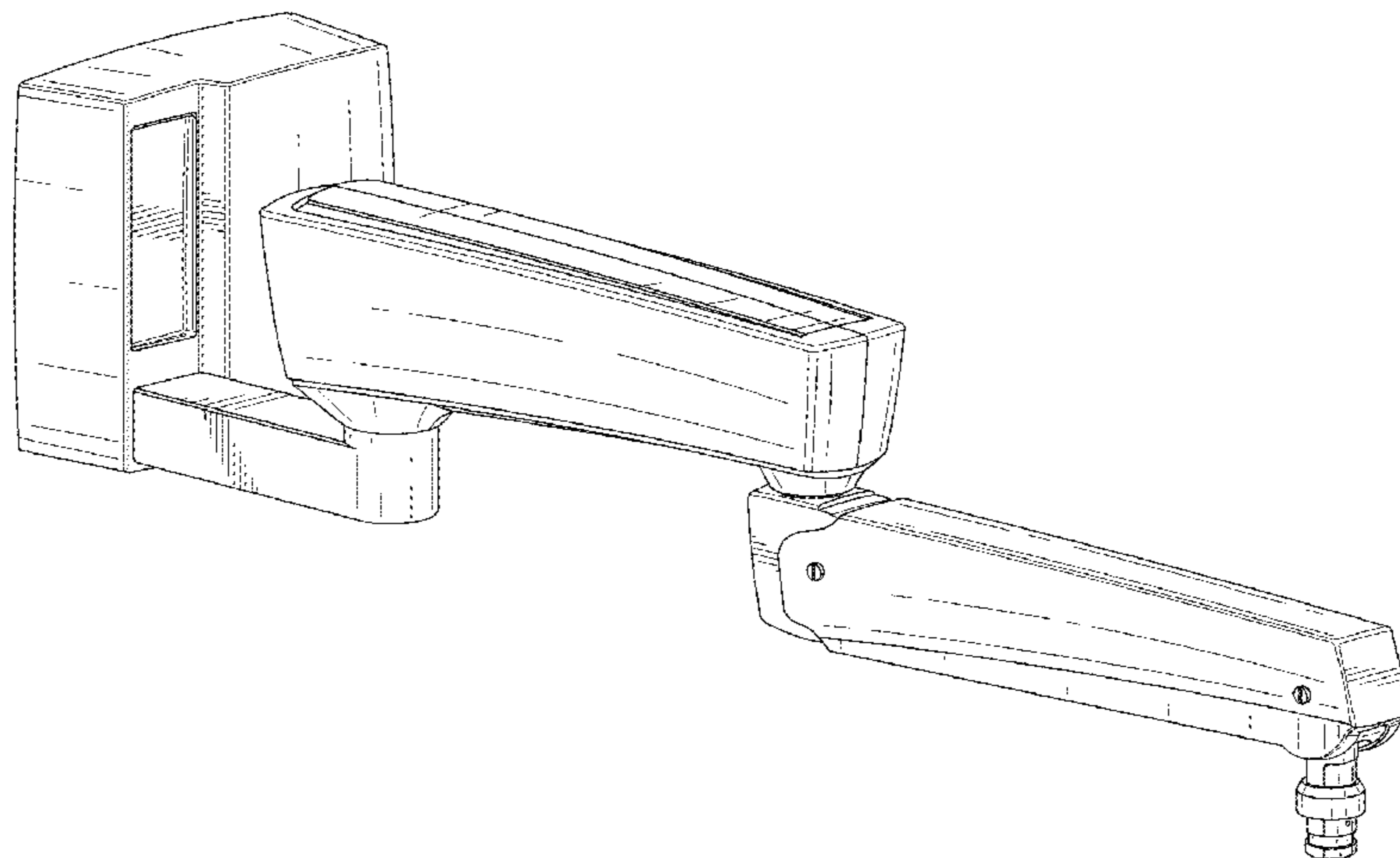
(57) **CLAIM**

The ornamental design for a mount for a surgical microscope, as shown and described.

DESCRIPTION

FIG. 1 is a left side elevation view of a mount for a surgical microscope of our new design;
FIG. 2 is a right side elevation view of the mount for the surgical microscope of FIG. 1;
FIG. 3 is a top plan view of the mount for the surgical microscope of FIG. 1;
FIG. 4 is a bottom plan view of the mount for the surgical microscope of FIG. 1;
FIG. 5 is a rear elevation view of the mount for the surgical microscope of FIG. 1;
FIG. 6 is a front elevation view of the mount for the surgical microscope of FIG. 1; and,
FIG. 7 is a perspective view of the mount for the surgical microscope of FIG. 1.
The broken lines depict portions of a mount for a surgical microscope that form no part of the claimed design.

1 Claim, 6 Drawing Sheets



(56)

References Cited

U.S. PATENT DOCUMENTS

9,392,931 B2 7/2016 Urban et al.
D800,814 S * 10/2017 Matuschek D16/131
2002/0106137 A1 8/2002 Chen et al.

* cited by examiner

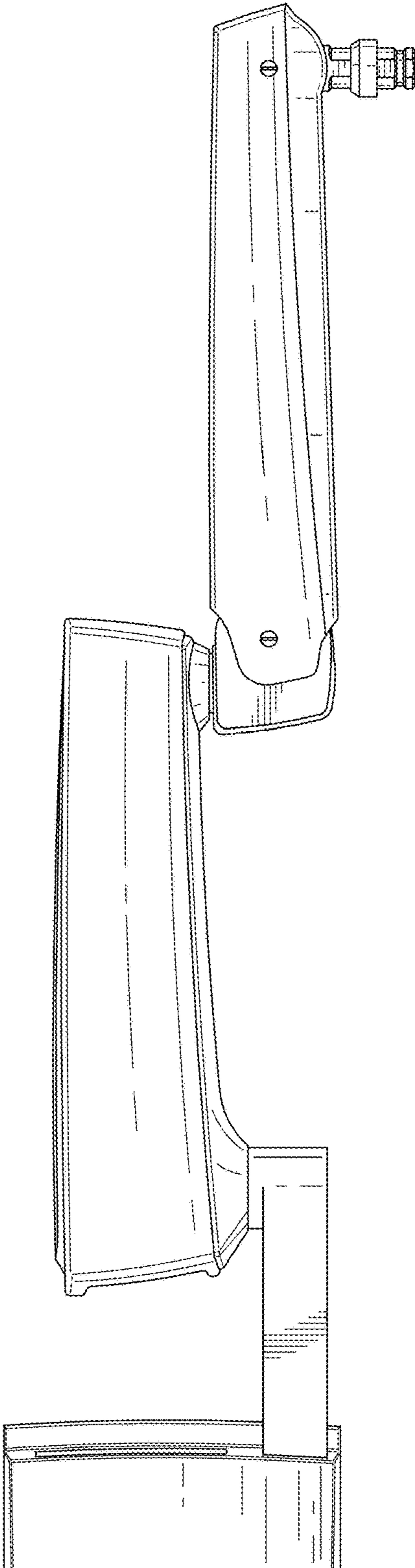


FIG. 1

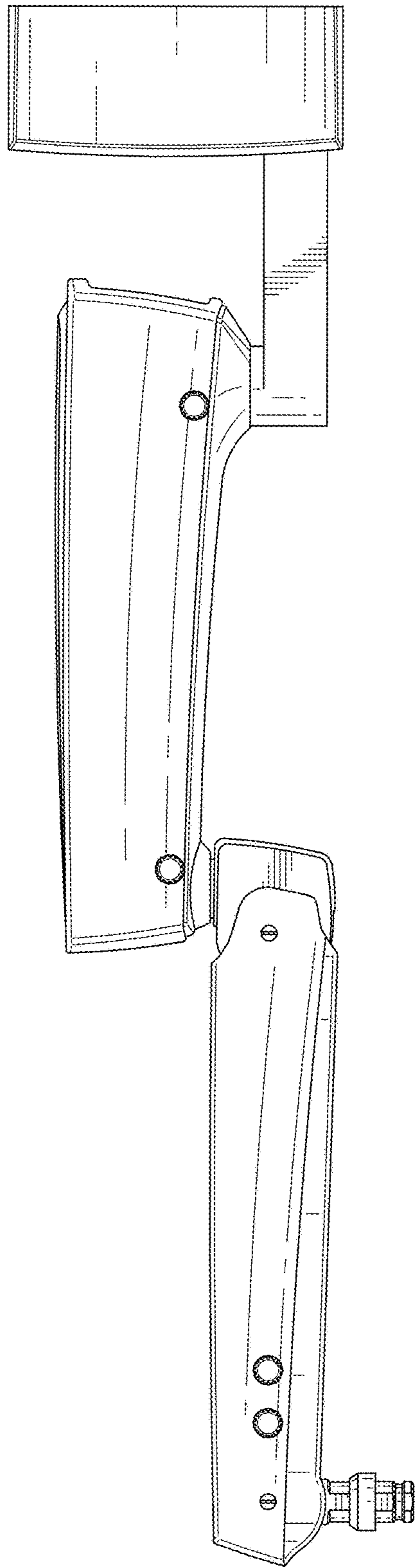


FIG. 2

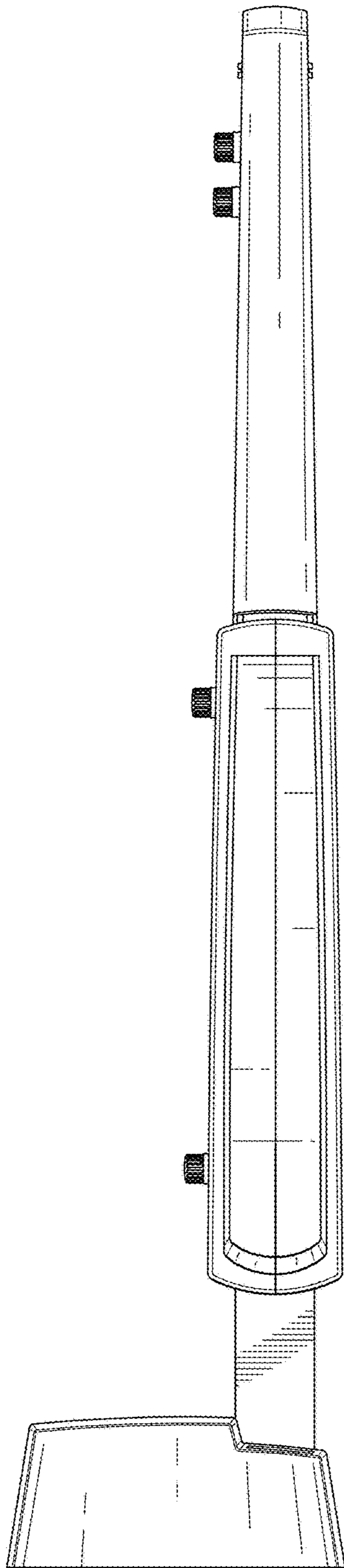


FIG. 3

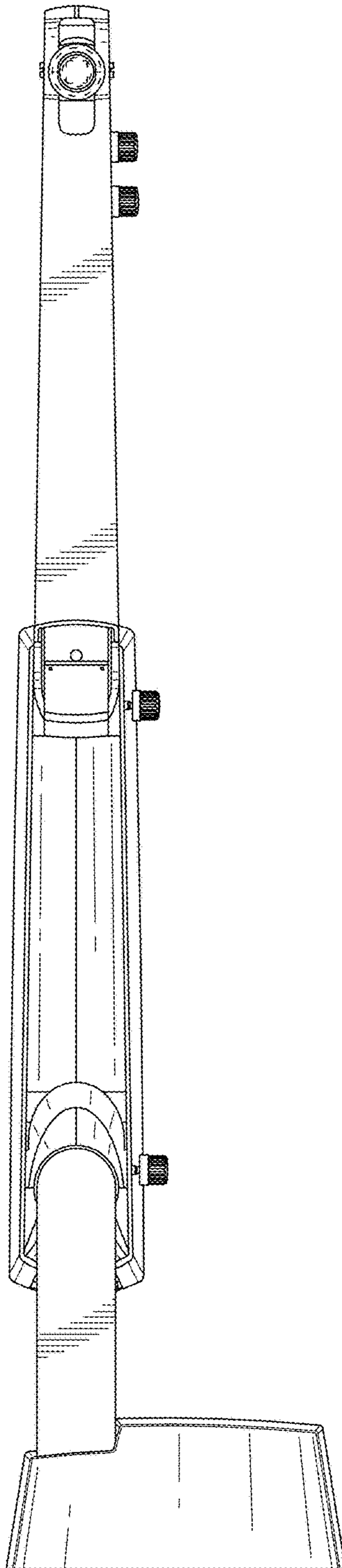


FIG. 4

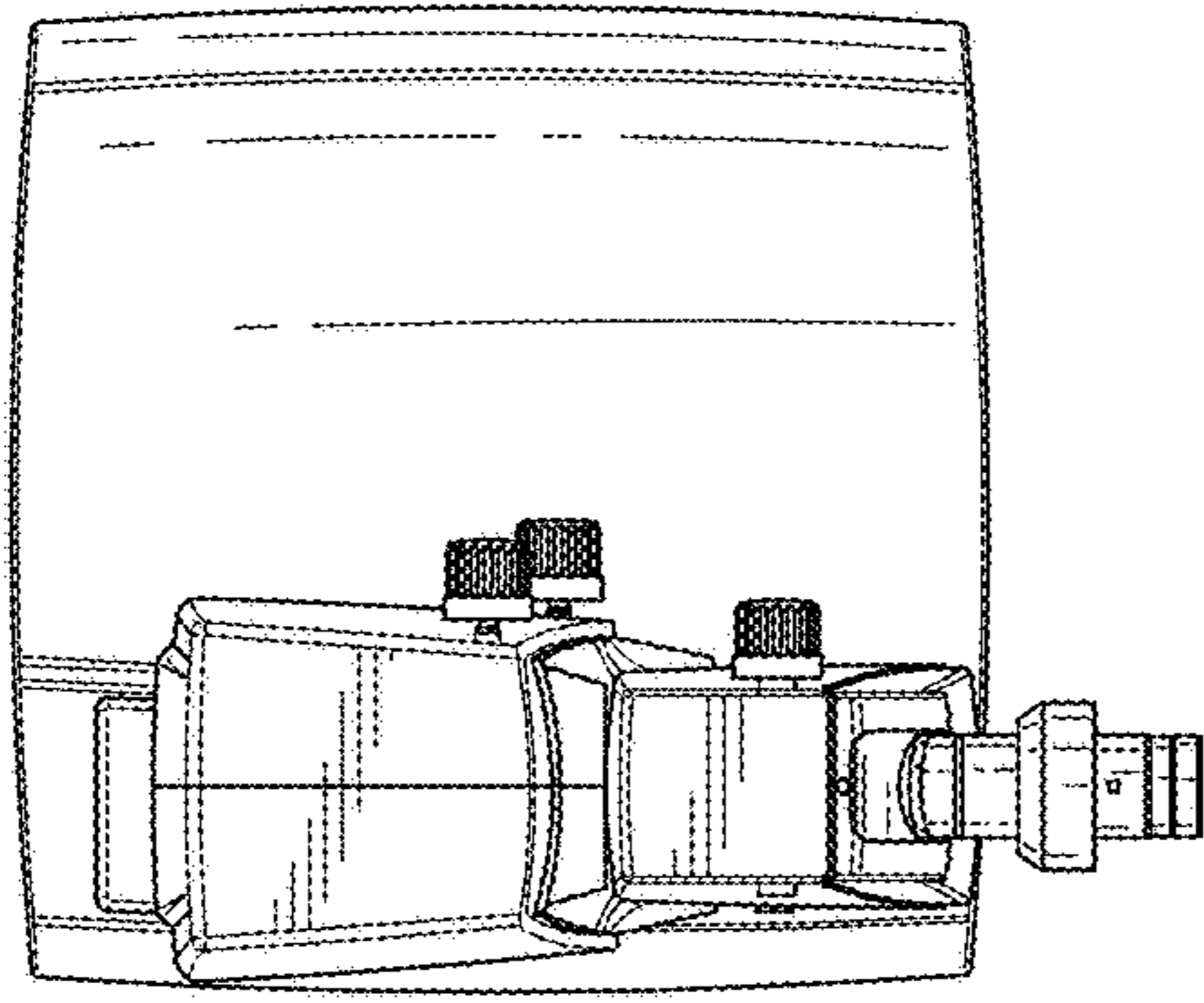


FIG. 6

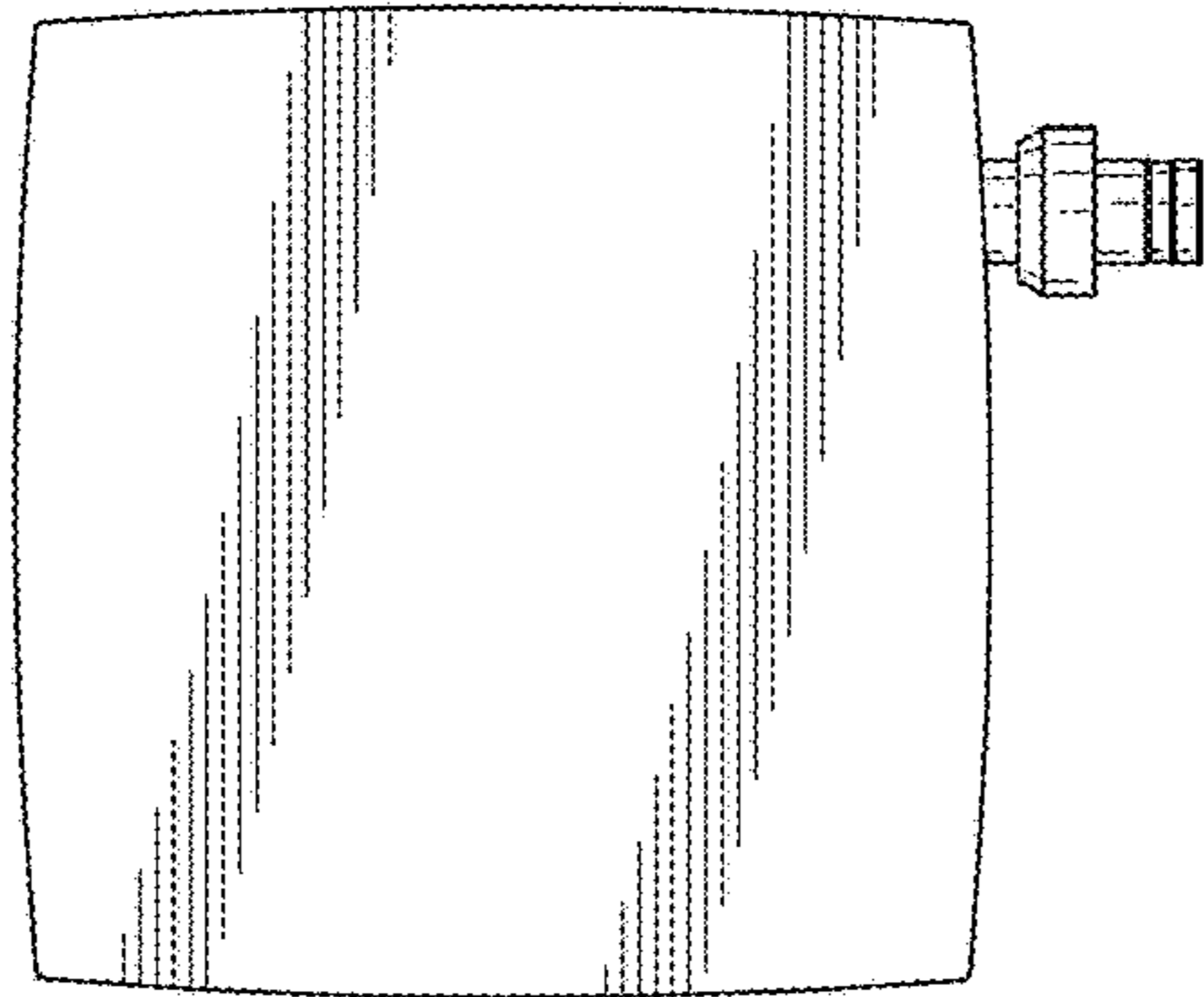


FIG. 5

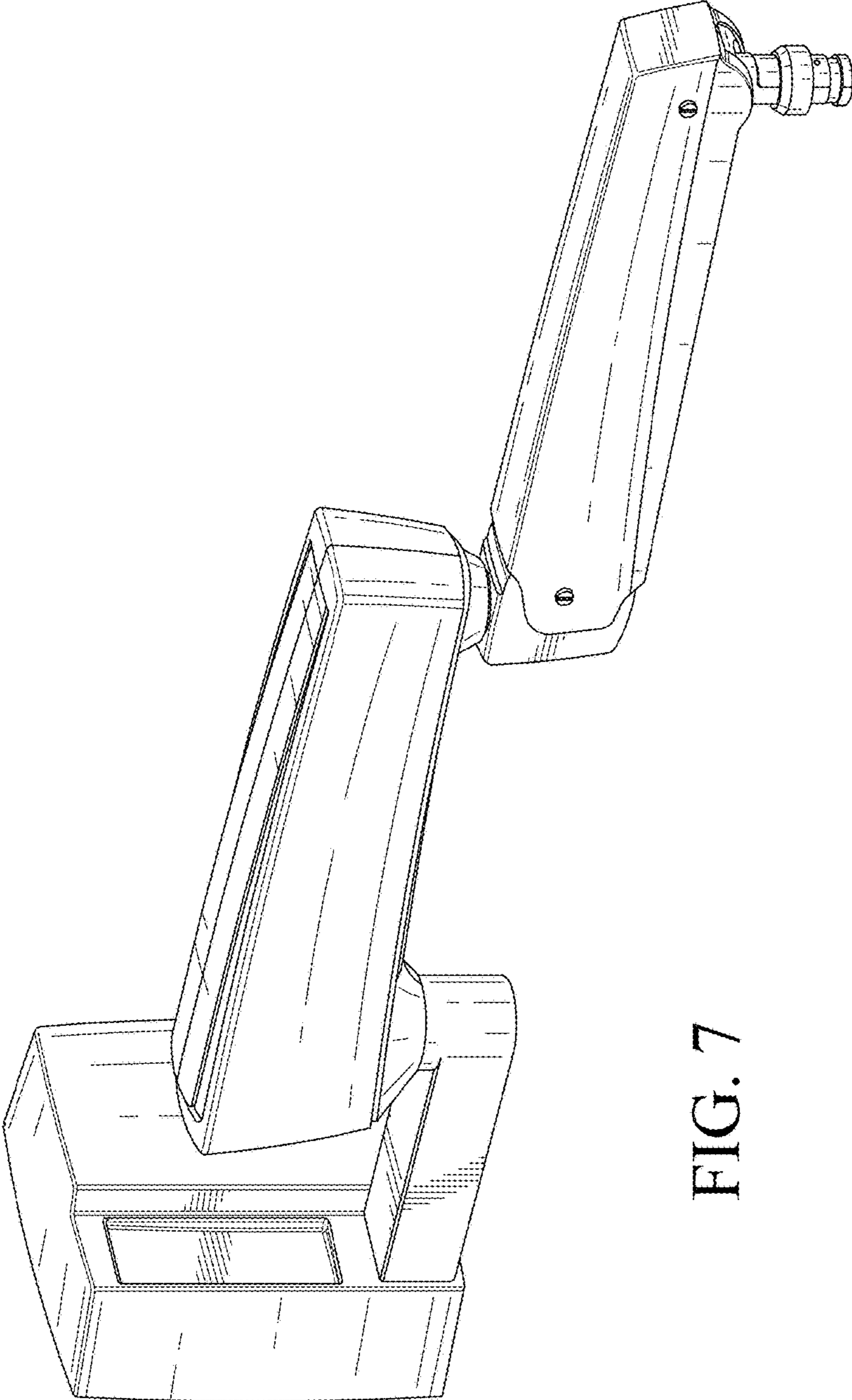


FIG. 7