



US00D841068S

(12) **United States Design Patent**  
**Kim et al.**

(10) **Patent No.:** **US D841,068 S**

(45) **Date of Patent:** **\*\* Feb. 19, 2019**

(54) **ACTUATOR FOR ROBOTS**

(71) Applicant: **ROBOTIS CO., LTD.**, Seoul (KR)

(72) Inventors: **Byoungsoo Kim**, Seoul (KR); **Wook Jang**, Gwangmyeong-si (KR)

(73) Assignee: **ROBOTIS CO. LTD.**, Seoul (KR)

(\*\*) Term: **15 Years**

(21) Appl. No.: **35/503,117**

(22) Filed: **May 3, 2016**

(80) **Hague Agreement Data**  
 Int. Filing Date: **May 3, 2016**  
 Int. Reg. No.: **DM/096260**  
 Int. Reg. Date: **May 3, 2016**  
 Int. Reg. Pub. Date: **Jun. 9, 2017**

(51) **LOC (11) Cl.** ..... **15-99**

(52) **U.S. Cl.**  
 USPC ..... **D15/199**  
 CPC ..... **B25J 9/047** (2013.01)

(58) **Field of Classification Search**  
 USPC ..... D15/199; D24/176; 74/490.01-490.05;  
 219/124.34, 639; 700/99, 150  
 CPC .... B25J 9/047; B25J 15/0475; B25J 19/0012;  
 B25J 18/025; B25J 9/00  
 See application file for complete search history.

(56) **References Cited**

U.S. PATENT DOCUMENTS

3,851,769 A \* 12/1974 Noguchi ..... B25J 9/00  
 414/730

4,283,764 A \* 8/1981 Crum ..... B05B 13/0431  
 318/568.14

4,300,198 A \* 11/1981 Davini ..... B05B 13/0431  
 318/568.14

D268,033 S \* 2/1983 Stackhouse ..... D15/122

4,430,037 A \* 2/1984 Bisiach ..... B25J 18/025  
 254/200

4,465,424 A \* 8/1984 Inaba ..... B25J 19/0012  
 414/4

4,601,637 A \* 7/1986 Aviles ..... B25J 15/0475  
 269/281

D292,000 S \* 9/1987 Shibayama ..... D15/122

4,693,663 A \* 9/1987 Brenholt ..... B25J 9/047  
 414/735

D293,116 S \* 12/1987 Stackhouse ..... D15/122

D293,324 S \* 12/1987 Gotou ..... D15/122

D307,282 S \* 4/1990 Suica ..... D15/199

D308,213 S \* 5/1990 Jones ..... D15/199

5,451,135 A \* 9/1995 Schempf ..... B08B 9/0933  
 165/11.2

D609,258 S \* 2/2010 Mortimer ..... D15/199

D609,259 S \* 2/2010 Mortimer ..... D15/199

D613,781 S \* 4/2010 Liu ..... D15/199

D615,574 S \* 5/2010 Liu ..... D15/199

D616,477 S \* 5/2010 Long ..... D15/199

D616,909 S \* 6/2010 Long ..... D15/199

D622,299 S \* 8/2010 Liu ..... D15/199

D625,347 S \* 10/2010 Feng ..... D15/199

D645,488 S \* 9/2011 Miyake ..... D15/199

\* cited by examiner

*Primary Examiner* — Richard E Chilcot  
 (74) *Attorney, Agent, or Firm* — ARC IP Law, PC;  
 Joseph J. Mayo

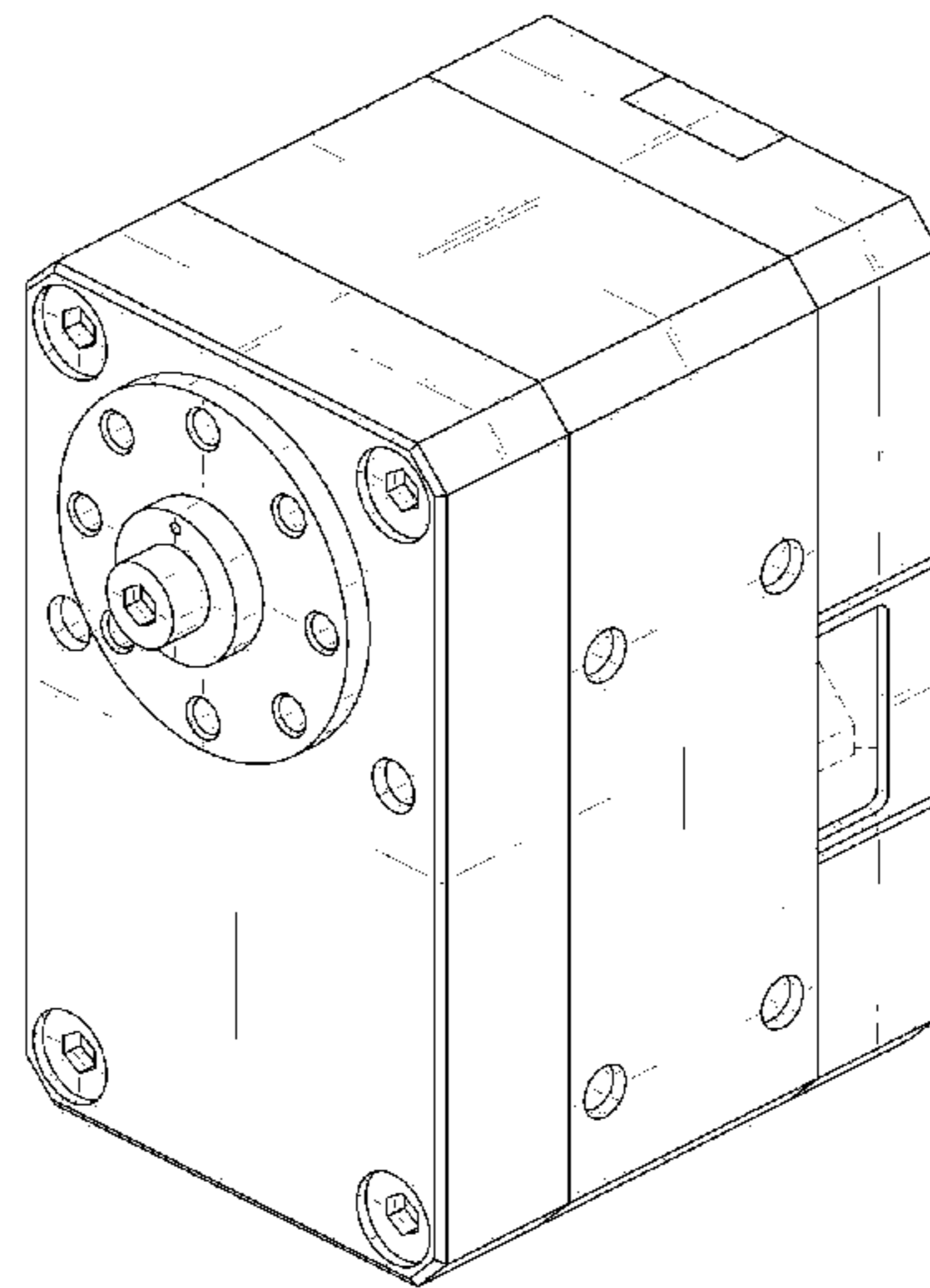
(57) **CLAIM**

The ornamental design for an actuator for robots, as shown and described.

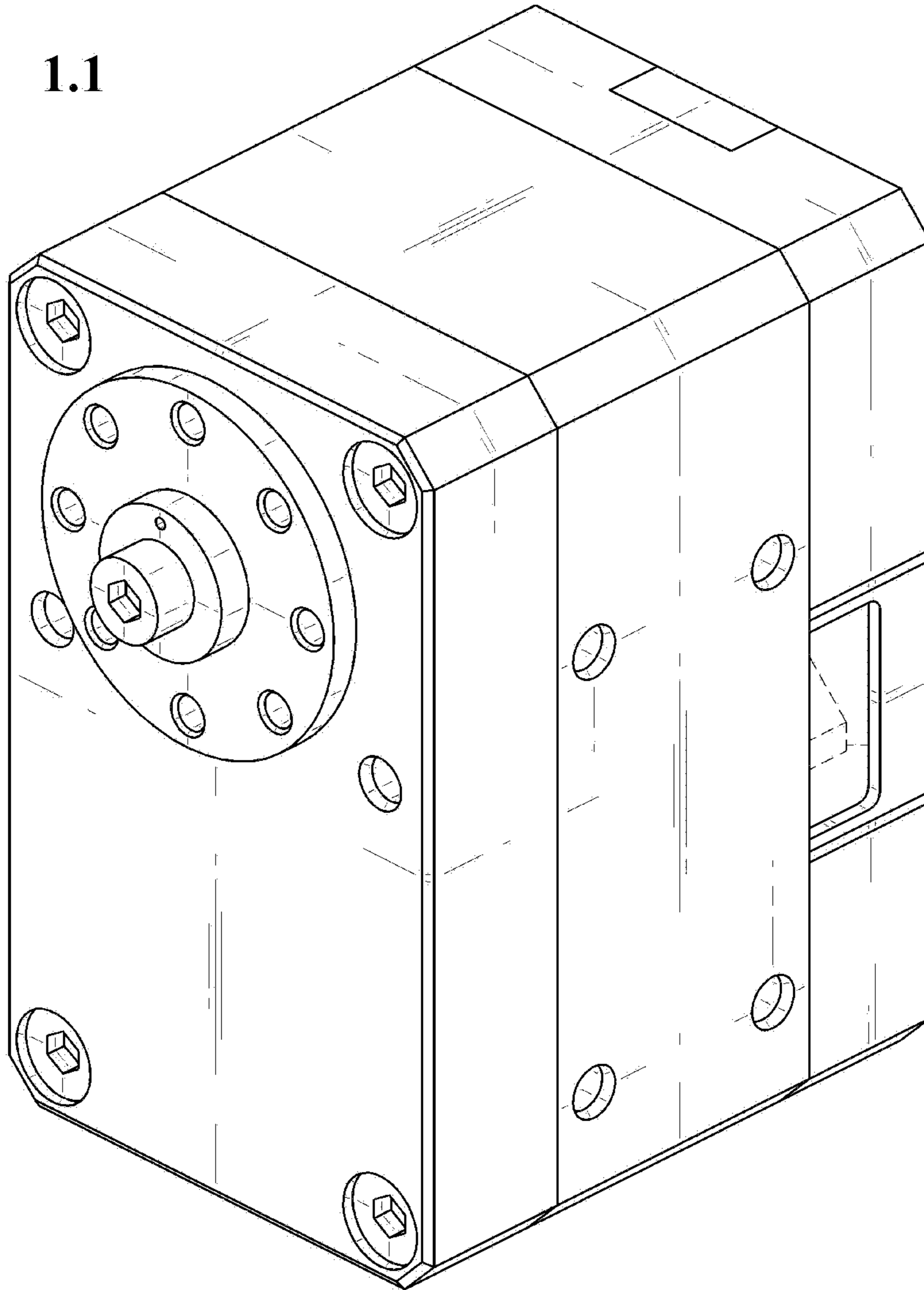
**DESCRIPTION**

1. Actuator for robots  
 1.1 : Perspective  
 1.2 : Front  
 1.3 : Back  
 1.4 : Top  
 1.5 : Bottom  
 1.6 : Left  
 1.7 : Right  
 Matter for which protection is not sought is indicated by broken lines.

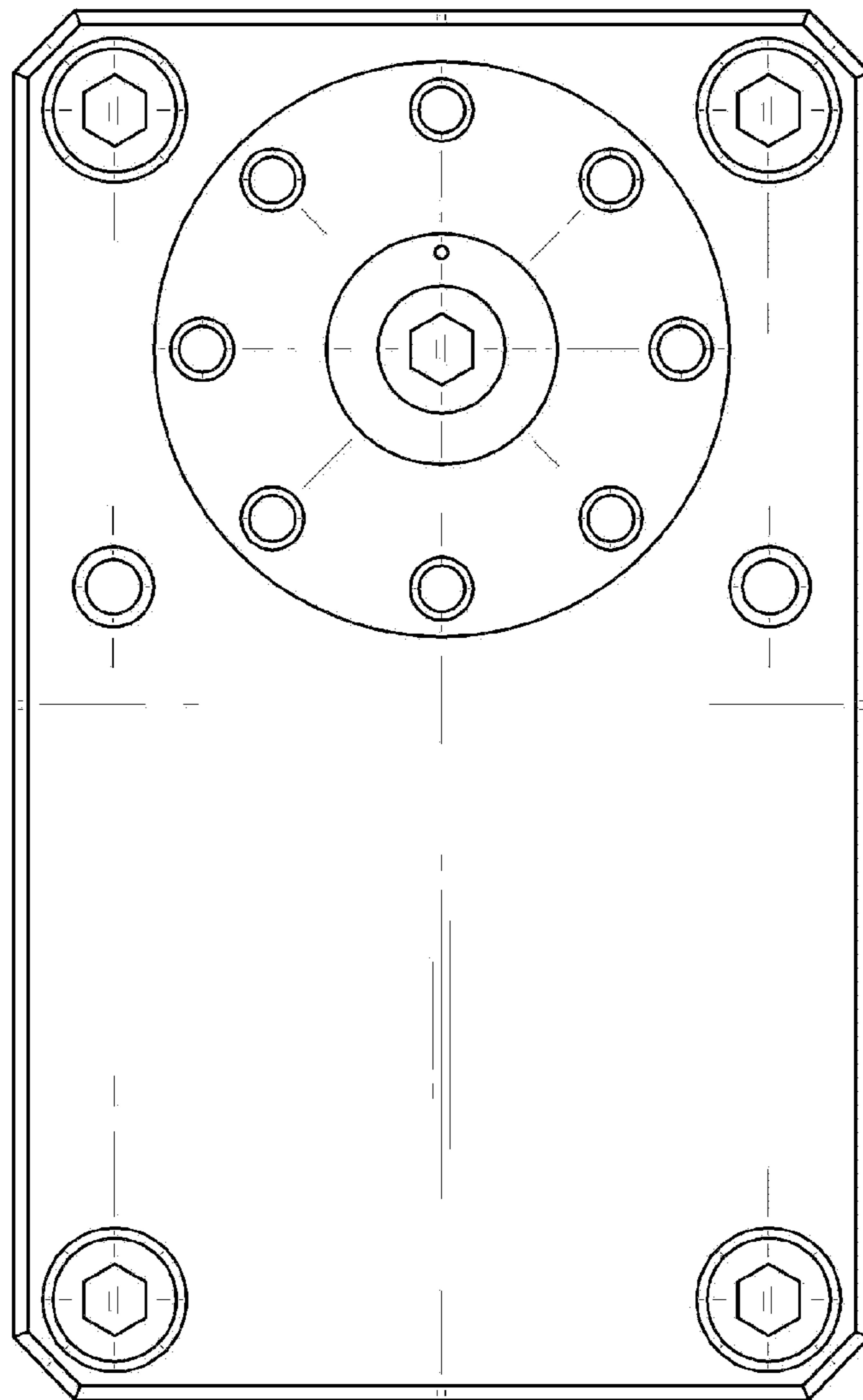
**1 Claim, 7 Drawing Sheets**



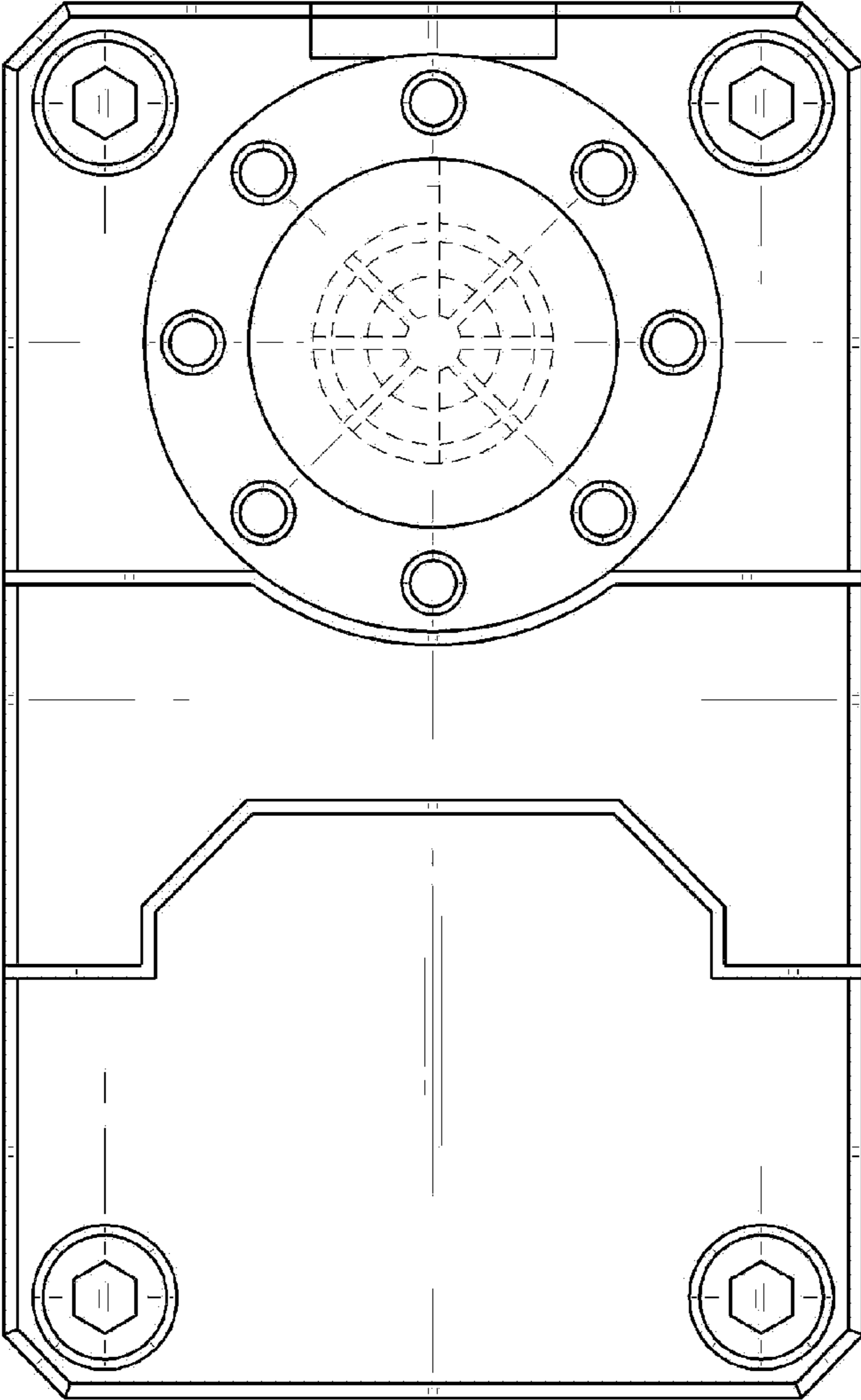
1.1

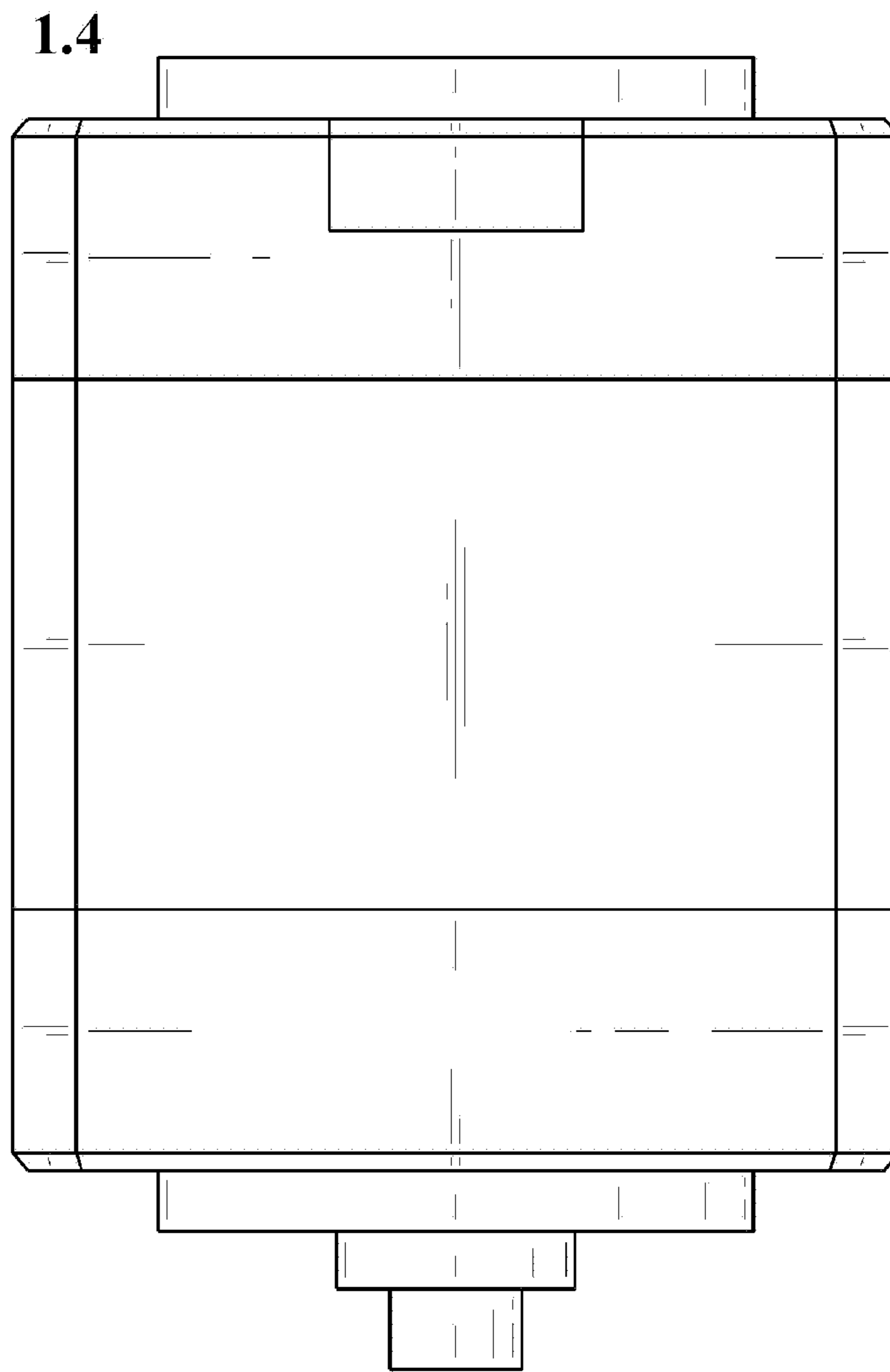


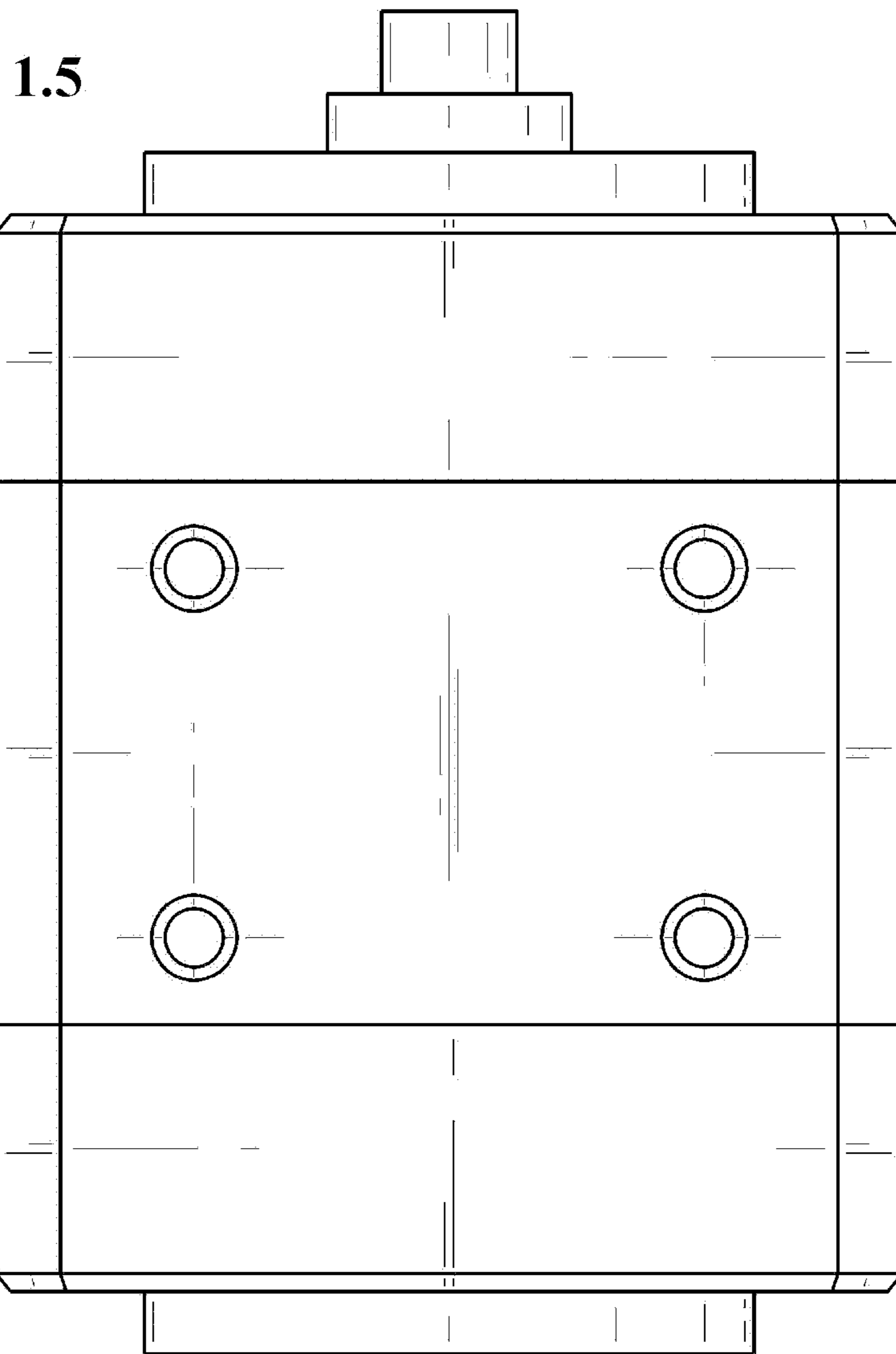
1.2



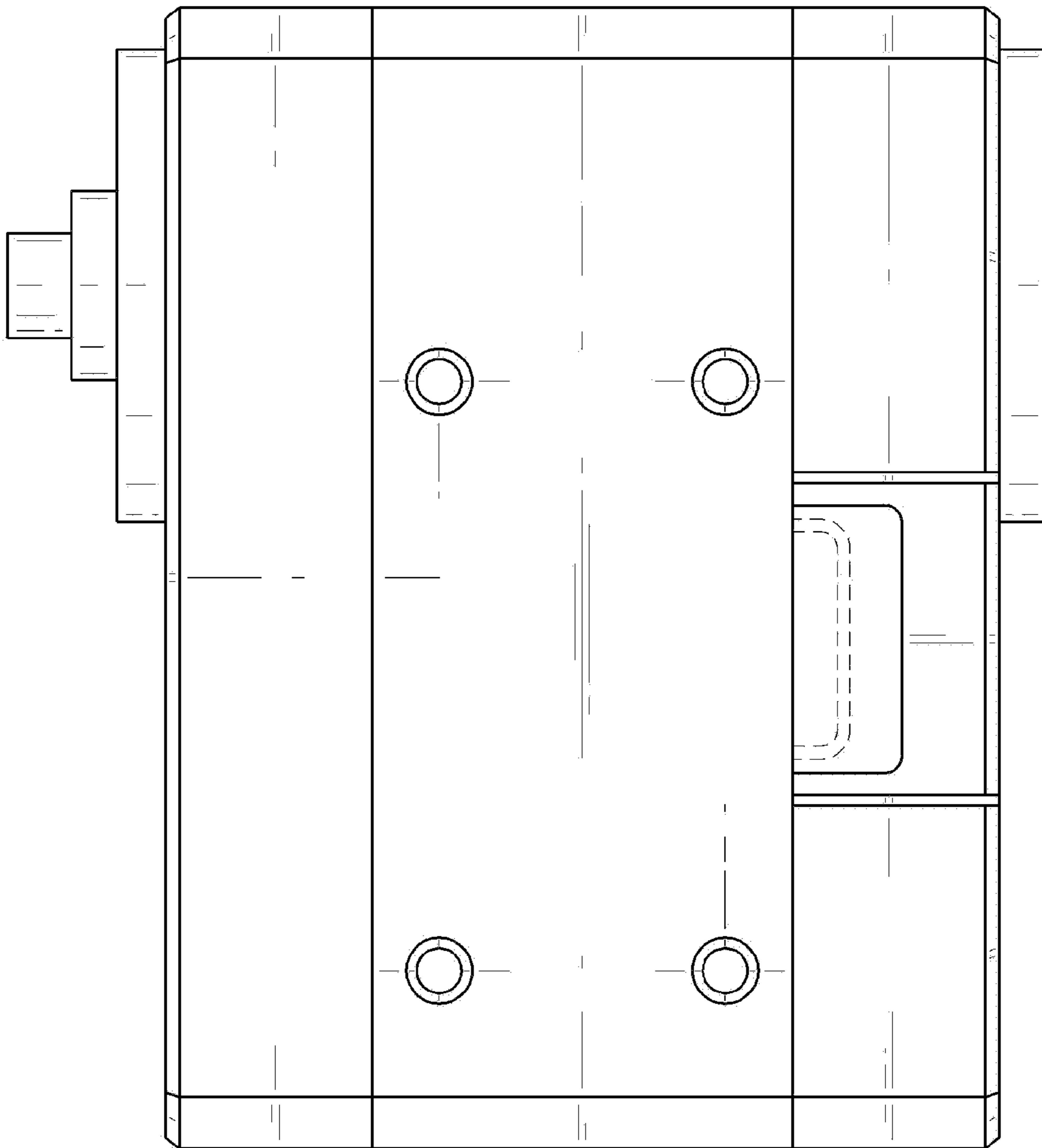
1.3







1.6



1.7

