



US00D841067S

(12) **United States Design Patent** (10) **Patent No.:** **US D841,067 S**
Camporesi et al. (45) **Date of Patent:** **** Feb. 19, 2019**

(54) **INDUSTRIAL ROBOT**
(71) Applicant: **MYAV S.R.L.**, Potenza (PZ) (IT)
(72) Inventors: **Alberto Camporesi**, Rimini (IT);
Giuseppe Oddo, Erice (IT); **Marta Mastrolia**,
Campagna (IT); **Alessandro Stasi**, Ruvo di Puglia (IT); **Fabio Stasi**,
Ruvo di Puglia (IT)
(73) Assignee: **MYAV S.R.L.**, Potenza (PZ) (IT)
(**) Term: **15 Years**

D723,026 S *	2/2015	Birgeoglu	D14/307
D725,166 S *	3/2015	Paik	D15/199
D735,258 S *	7/2015	Jang	D15/199
D760,671 S *	7/2016	Chalabi	D14/125
D766,644 S *	9/2016	Huang	D15/199
D776,651 S *	1/2017	Yates	D14/307
D778,276 S *	2/2017	Berini	D14/307
D799,473 S *	10/2017	Brown	D14/307
9,776,327 B2 *	10/2017	Pinter	B25J 9/1676
D802,040 S *	11/2017	Canoso	D15/199
2010/0010672 A1 *	1/2010	Wang	B25J 5/00
				700/259
2016/0059408 A1 *	3/2016	Isobe	B25J 5/007
				700/253
2016/0107317 A1 *	4/2016	Hashimoto	B25J 9/042
				414/744.2

(21) Appl. No.: **29/640,393**
(22) Filed: **Mar. 14, 2018**
(30) **Foreign Application Priority Data**
Jan. 19, 2018 (EP) 004672186
(51) **LOC (11) Cl.** **15-09**
(52) **U.S. Cl.**
USPC **D15/199**
(58) **Field of Classification Search**
USPC D15/199; D21/369, 578-583, 621, 622
CPC ... B25J 5/00; B25J 5/007; B25J 9/0006; B25J
19/0016; Y10S 901/01; Y10S 901/19;
Y10S 901/27
See application file for complete search history.

* cited by examiner

Primary Examiner — Patricia A Palasik
(74) *Attorney, Agent, or Firm* — Vorys, Sater, Seymour
and Pease LLP

(57) **CLAIM**

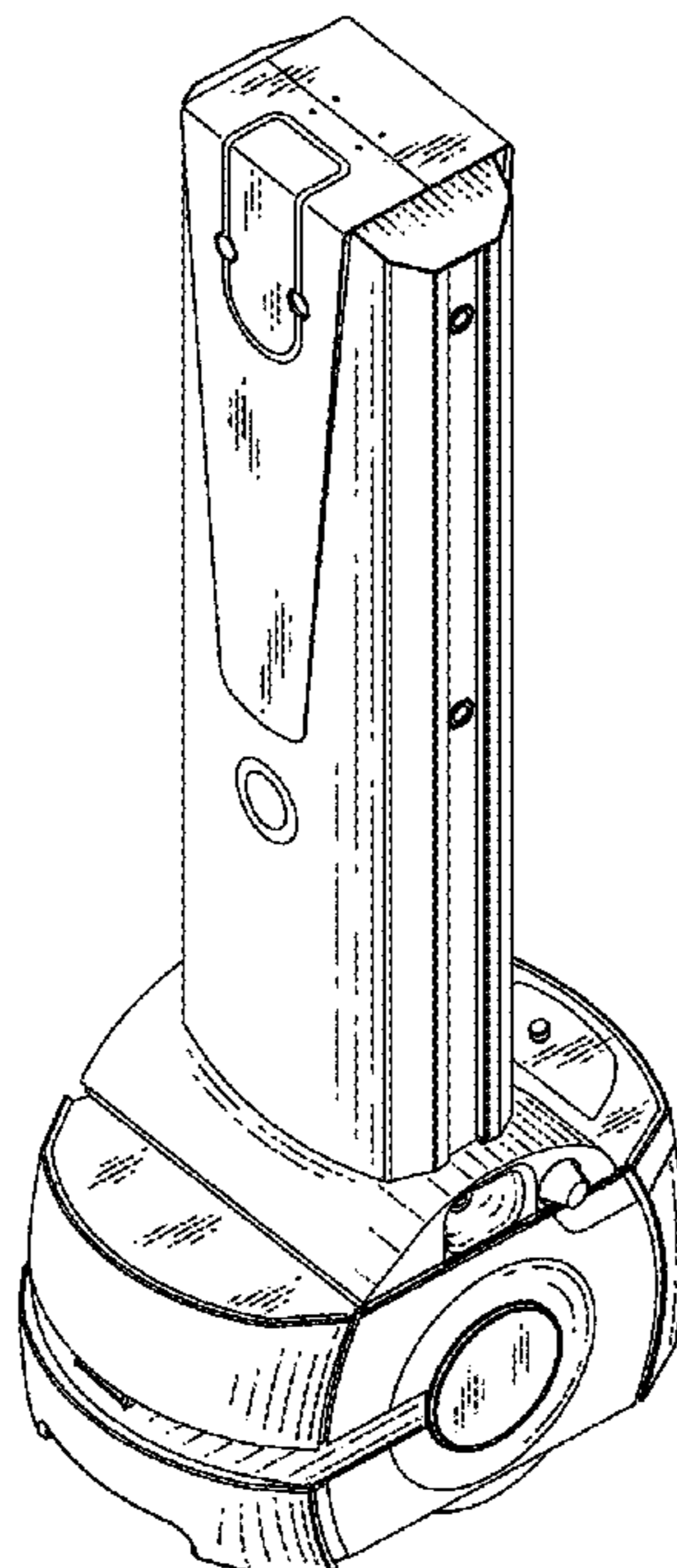
The ornamental design for an industrial robot, as shown and described.

DESCRIPTION

FIG. 1 is a perspective view of the industrial robot of the present invention;
FIG. 2 is a front view of the industrial robot of FIG. 1;
FIG. 3 is a right view of the industrial robot of FIG. 1;
FIG. 4 is a rear view of the industrial robot of FIG. 1;
FIG. 5 is a left view of the industrial robot of FIG. 1;
FIG. 6 is a top view of the industrial robot of FIG. 1; and,
FIG. 7 is a bottom view of the industrial robot of FIG. 1.

(56) **References Cited**
U.S. PATENT DOCUMENTS
D644,256 S * 8/2011 Kitano D15/199
D675,656 S * 2/2013 Sutherland D15/199
D715,941 S * 10/2014 Li D24/158

1 Claim, 6 Drawing Sheets



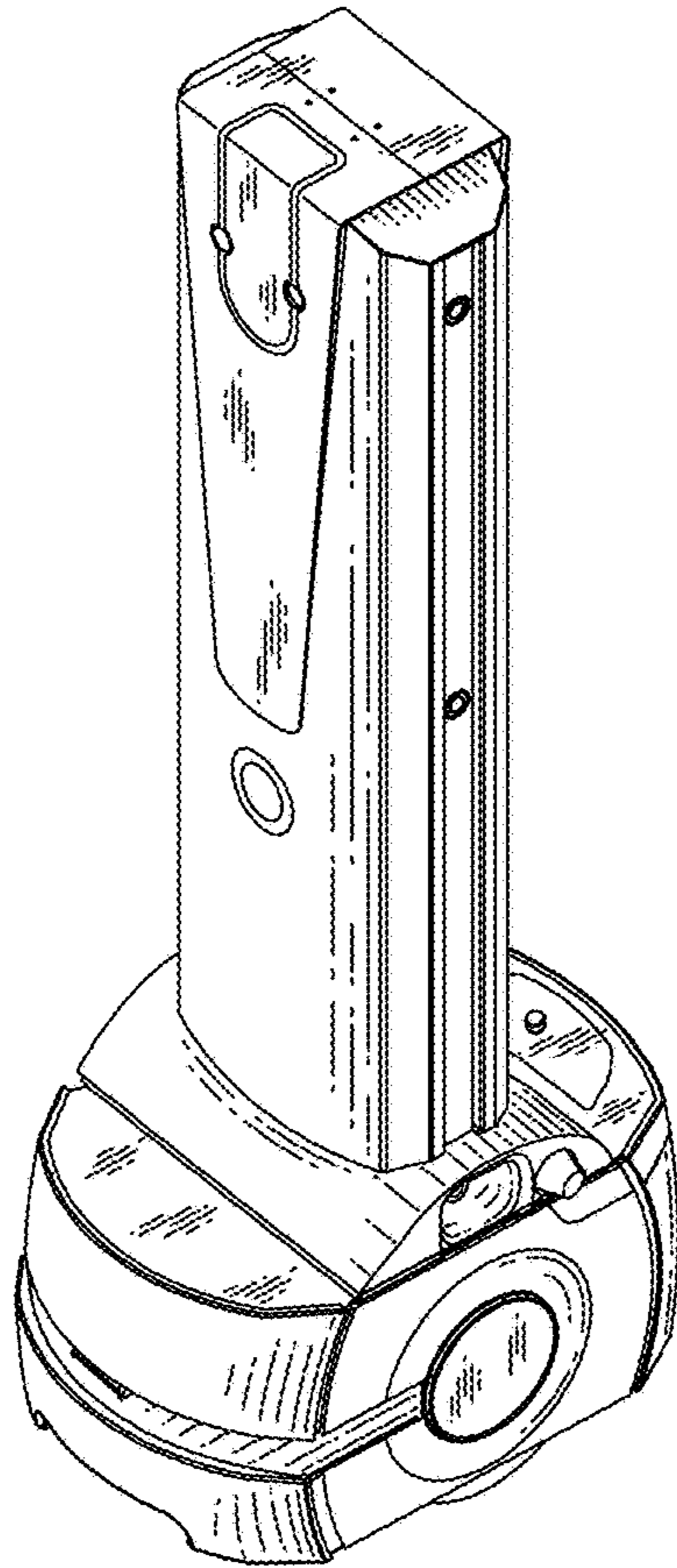


Fig. 1

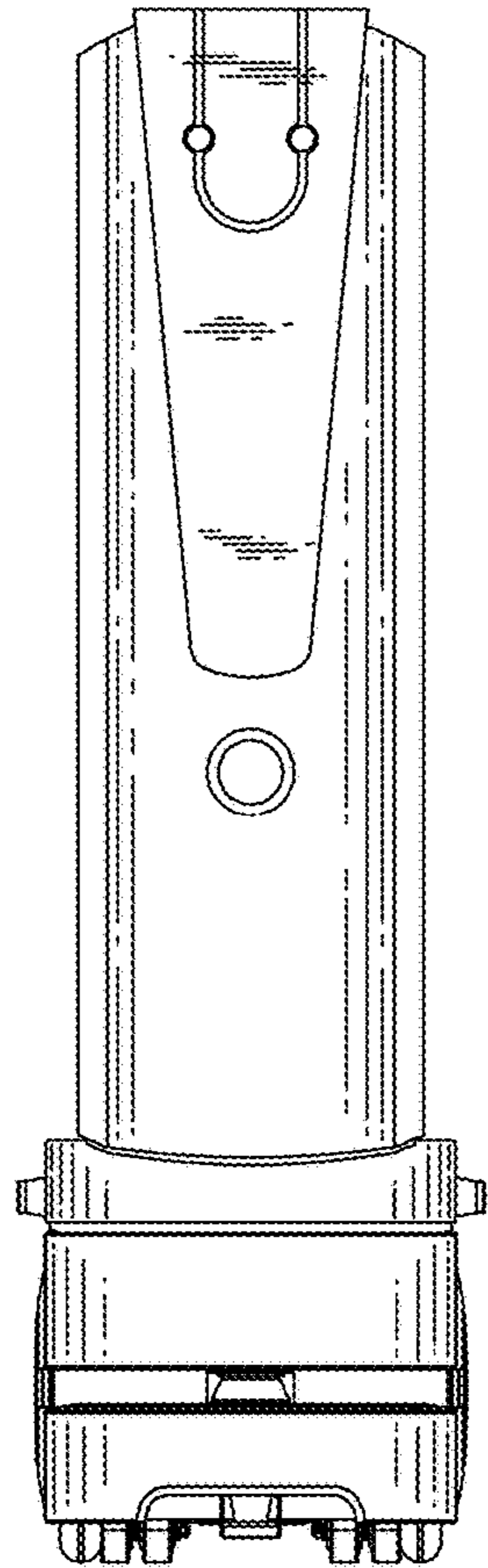


Fig. 2

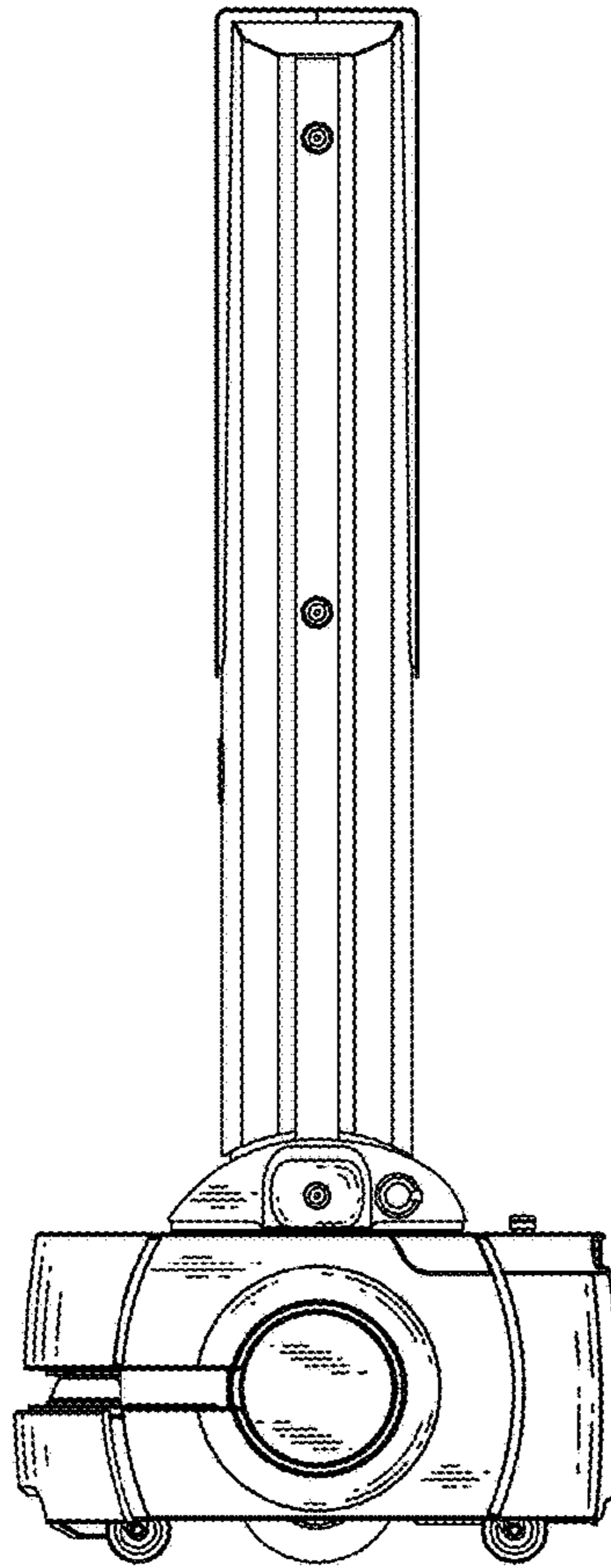


Fig. 3

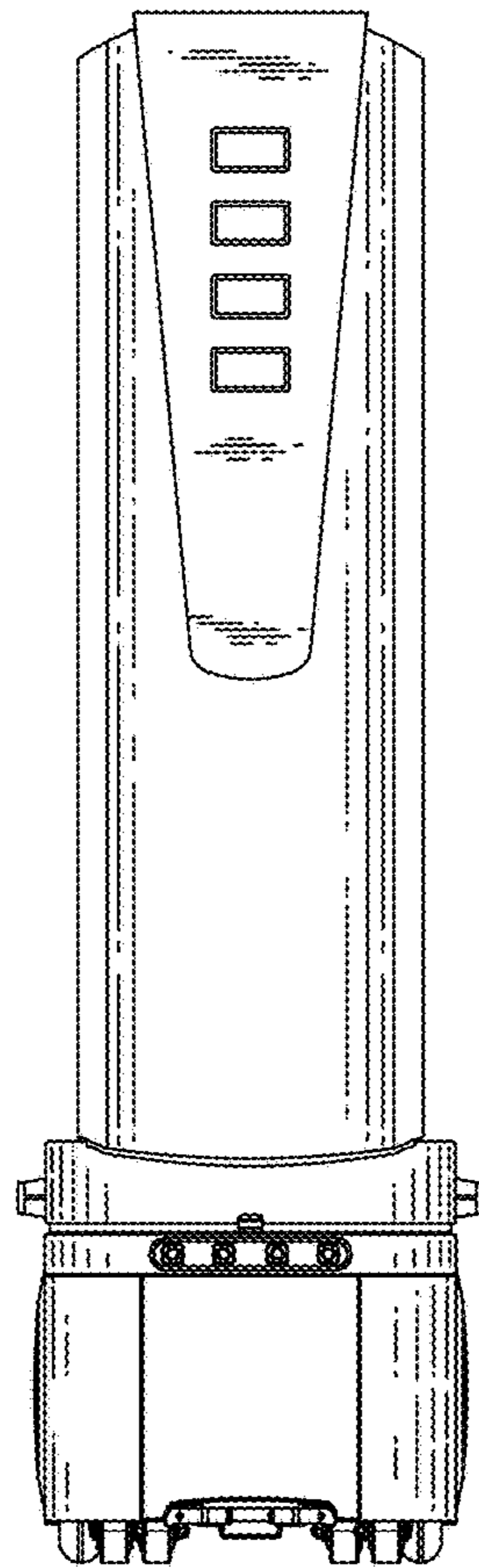


Fig. 4

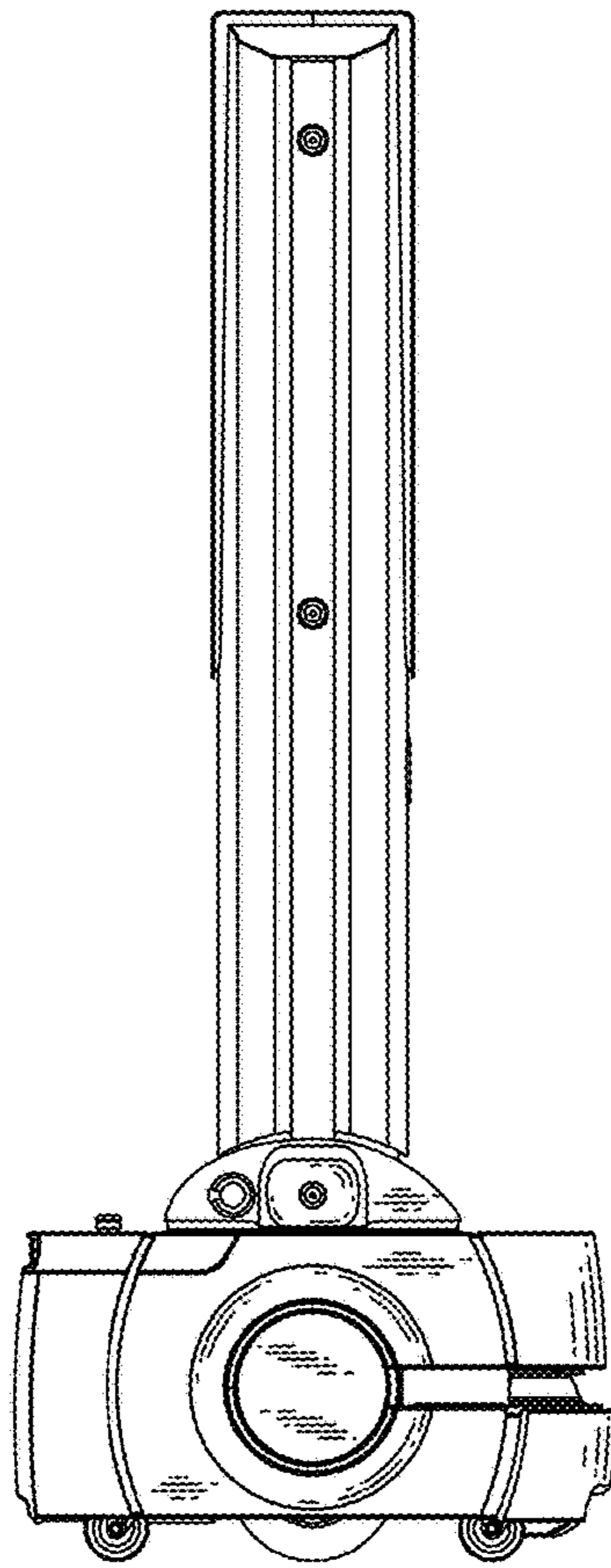


Fig. 5

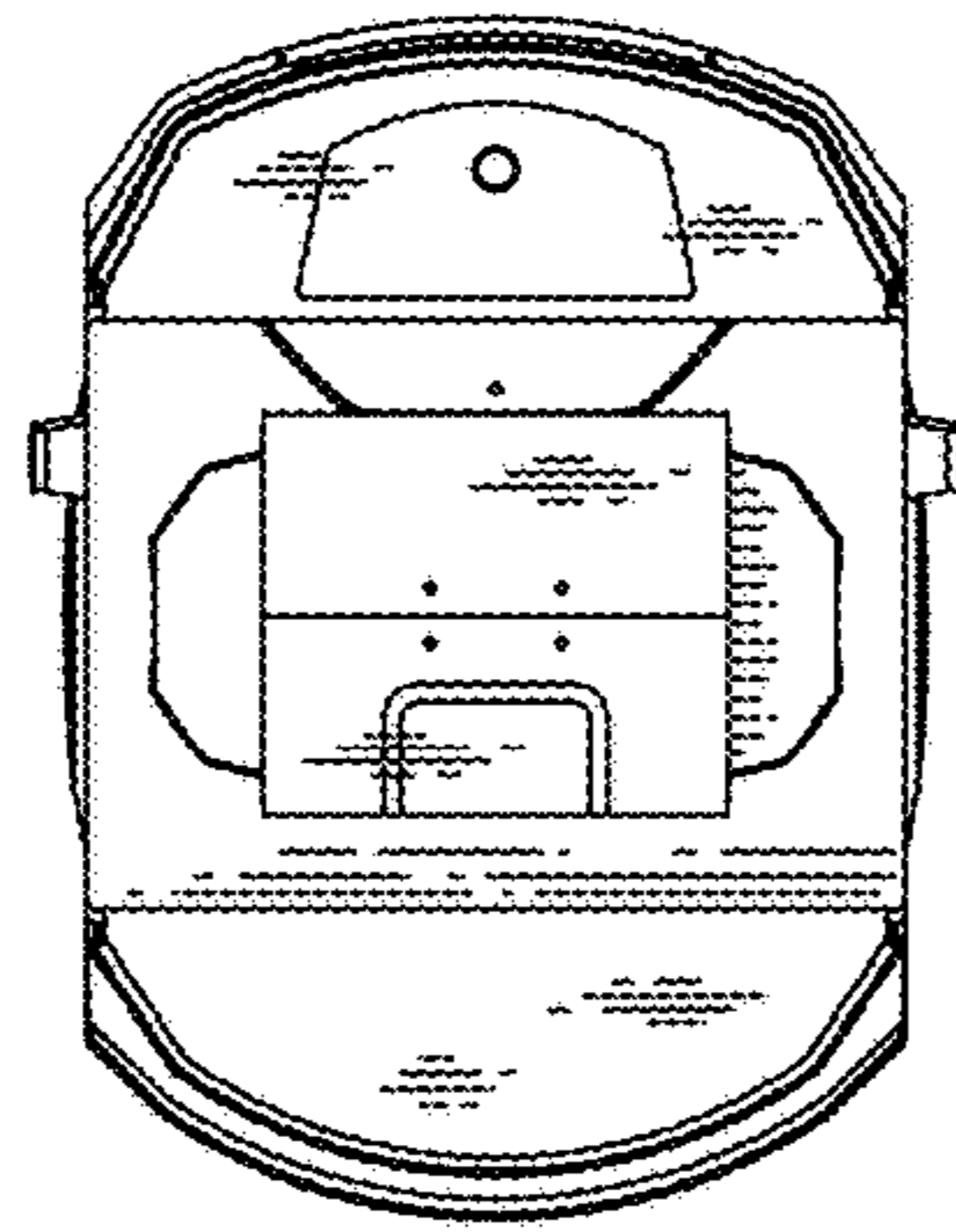


Fig. 6

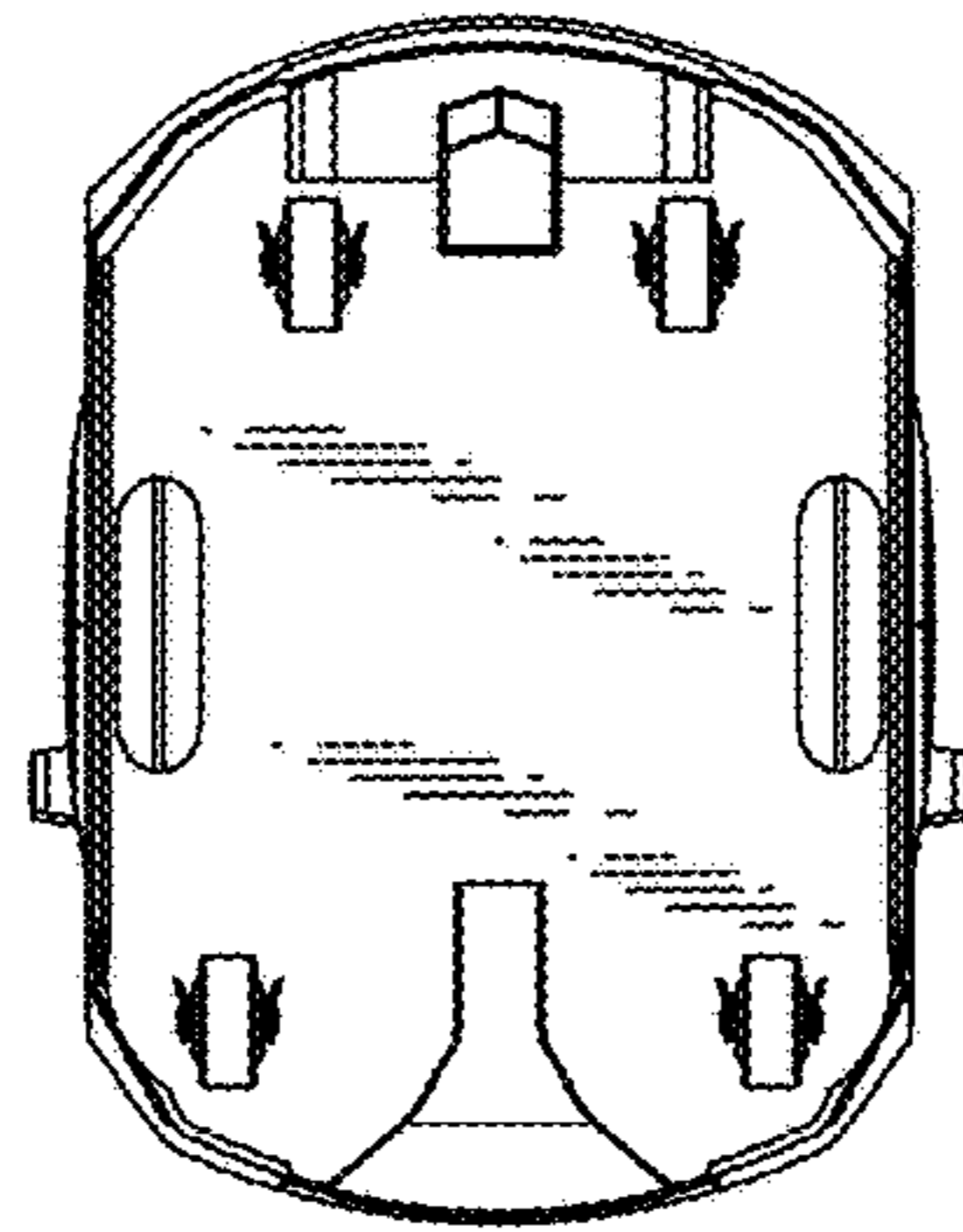


Fig. 7