



US00D841066S

(12) **United States Design Patent**
Kita

(10) **Patent No.:** **US D841,066 S**

(45) **Date of Patent:** **** Feb. 19, 2019**

- (54) **DESKTOP SOLDERING ROBOT**
- (71) Applicant: **Hakko Corporation**, Osaka-shi, Osaka (JP)
- (72) Inventor: **Toshiyuki Kita**, Osaka (JP)
- (73) Assignee: **HAKKO CORPORATION**, Osaka (JP)
- (**) Term: **15 Years**
- (21) Appl. No.: **29/639,891**
- (22) Filed: **Mar. 9, 2018**

- 4,538,956 A * 9/1985 Kalkbrenner B23K 26/08 269/50
- D287,135 S * 12/1986 Nagatani D15/144
- D289,407 S * 4/1987 Shibayama D15/122
- D290,263 S * 6/1987 Shibayama D15/122
- 4,670,977 A * 6/1987 Scrantom H05K 13/0439 29/33 M
- D292,981 S * 12/1987 Skoog D15/122
- D293,116 S * 12/1987 Stackhouse D15/122
- D293,250 S * 12/1987 Kaufmann D15/122
- D294,589 S * 3/1988 Kajiya D15/144
- D300,637 S * 4/1989 Kagayama D15/122
- D302,821 S * 8/1989 Blum D15/132
- D302,824 S * 8/1989 Kagayama D15/199
- D366,054 S * 1/1996 Eguchi D15/132
- D375,316 S * 11/1996 Tsai D15/131

(Continued)

(30) **Foreign Application Priority Data**

Nov. 29, 2017 (JP) 2017-026478

(51) **LOC (11) Cl.** **15-99**

(52) **U.S. Cl.**
USPC **D15/199**

(58) **Field of Classification Search**
USPC D15/144, 144.1, 144.2, 199; D21/369, D21/578-583, 621, 622
CPC .. B25J 9/042; B25J 19/0054; H01L 21/67742
See application file for complete search history.

(56) **References Cited**

U.S. PATENT DOCUMENTS

- 4,139,180 A * 2/1979 Itani B63B 9/00 114/222
- 4,229,642 A * 10/1980 Sakurai B23K 9/287 219/124.1
- 4,255,643 A * 3/1981 Balfanz B23K 9/1274 219/124.34
- D264,089 S * 4/1982 Reid D15/199
- 4,355,446 A * 10/1982 Shimajiri B23B 39/205 29/26 A
- 4,356,378 A * 10/1982 Cloos B23K 9/287 219/124.1

OTHER PUBLICATIONS

Hakko Corporation, publication showing a high-end soldering robot, published on Oct. 5, 2016.

Primary Examiner — Patricia A Palasik
(74) *Attorney, Agent, or Firm* — Squire Patton Boggs (US) LLP

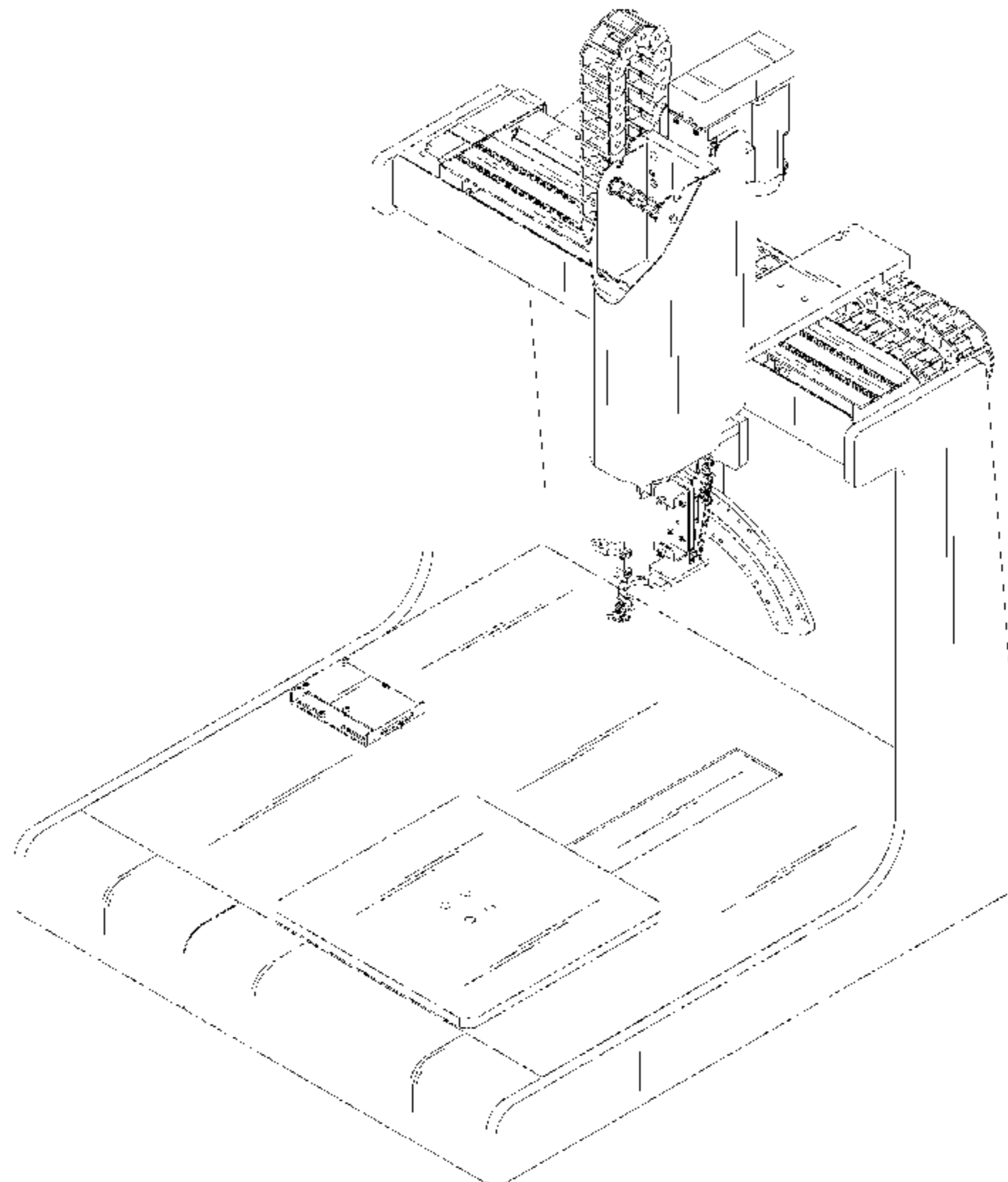
(57) **CLAIM**

The ornamental design for a desktop soldering robot, as shown and described.

DESCRIPTION

FIG. 1 is a first perspective view of a desktop soldering robot;
FIG. 2 is a second perspective view thereof;
FIG. 3 is a front view thereof;
FIG. 4 is a rear view thereof;
FIG. 5 is a left side view thereof;
FIG. 6 is a right side view thereof;
FIG. 7 is a top view thereof; and,
FIG. 8 is a bottom view thereof.

1 Claim, 8 Drawing Sheets



(56)

References Cited

U.S. PATENT DOCUMENTS

5,575,318 A * 11/1996 Susnjara B23Q 1/017
144/2.1
D410,660 S * 6/1999 Kawaguchi D15/199
D424,588 S * 5/2000 Abed D15/144.2
D454,897 S * 3/2002 Kawaguchi D15/199
2015/0122072 A1* 5/2015 Wu B25J 9/102
74/490.05
2017/0274537 A1* 9/2017 Kondo B25J 9/042

* cited by examiner

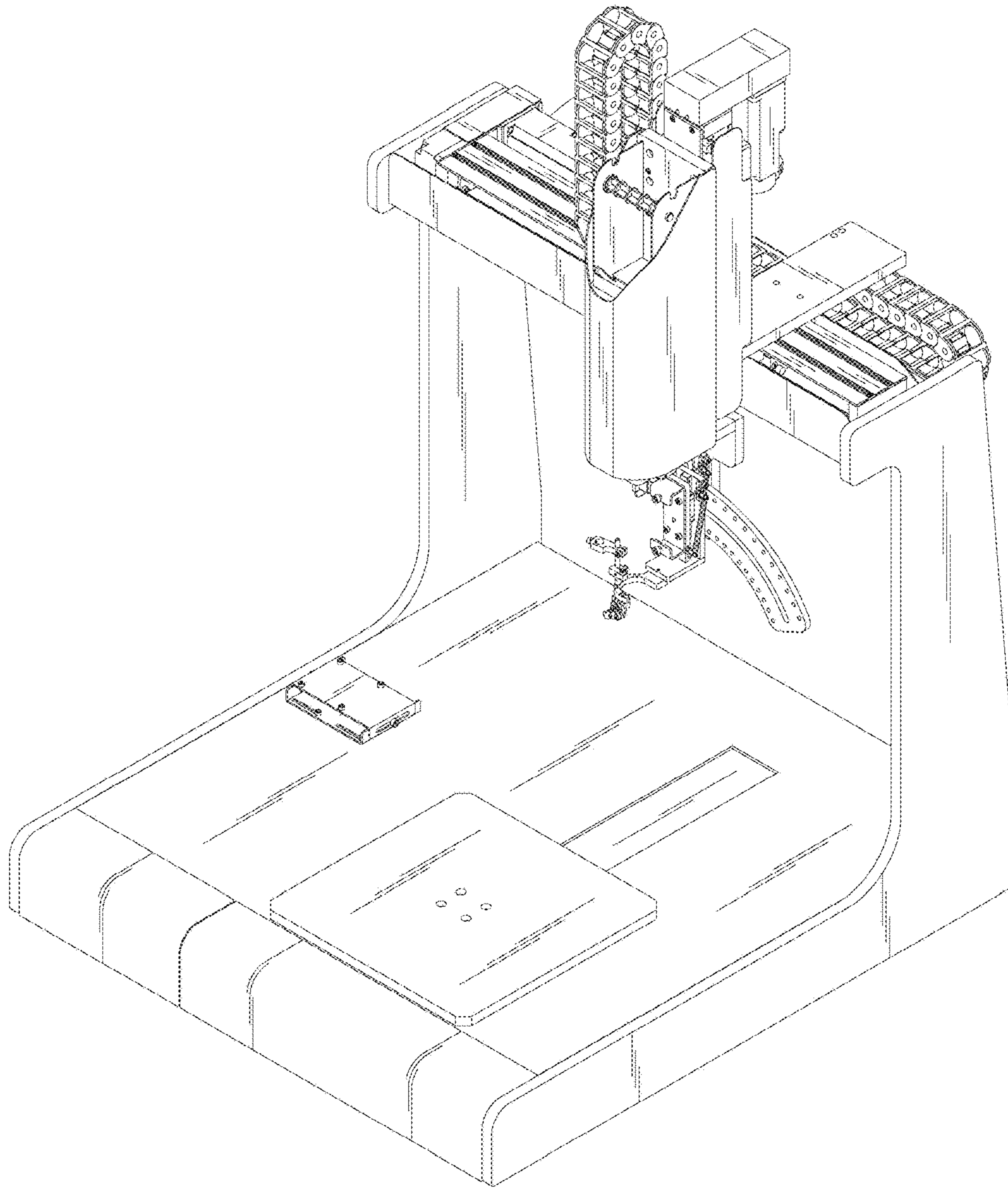


FIG.1

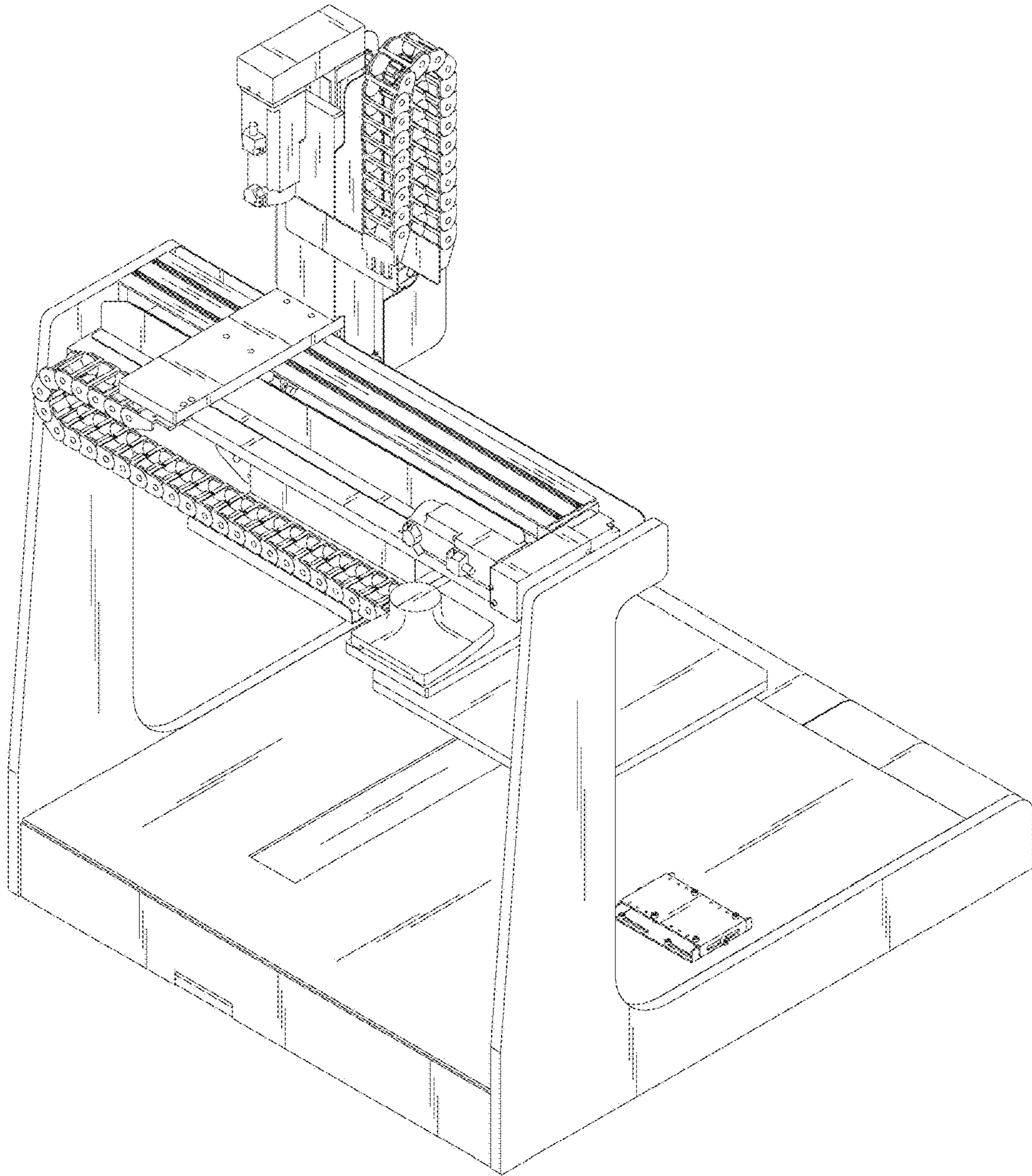


FIG.2

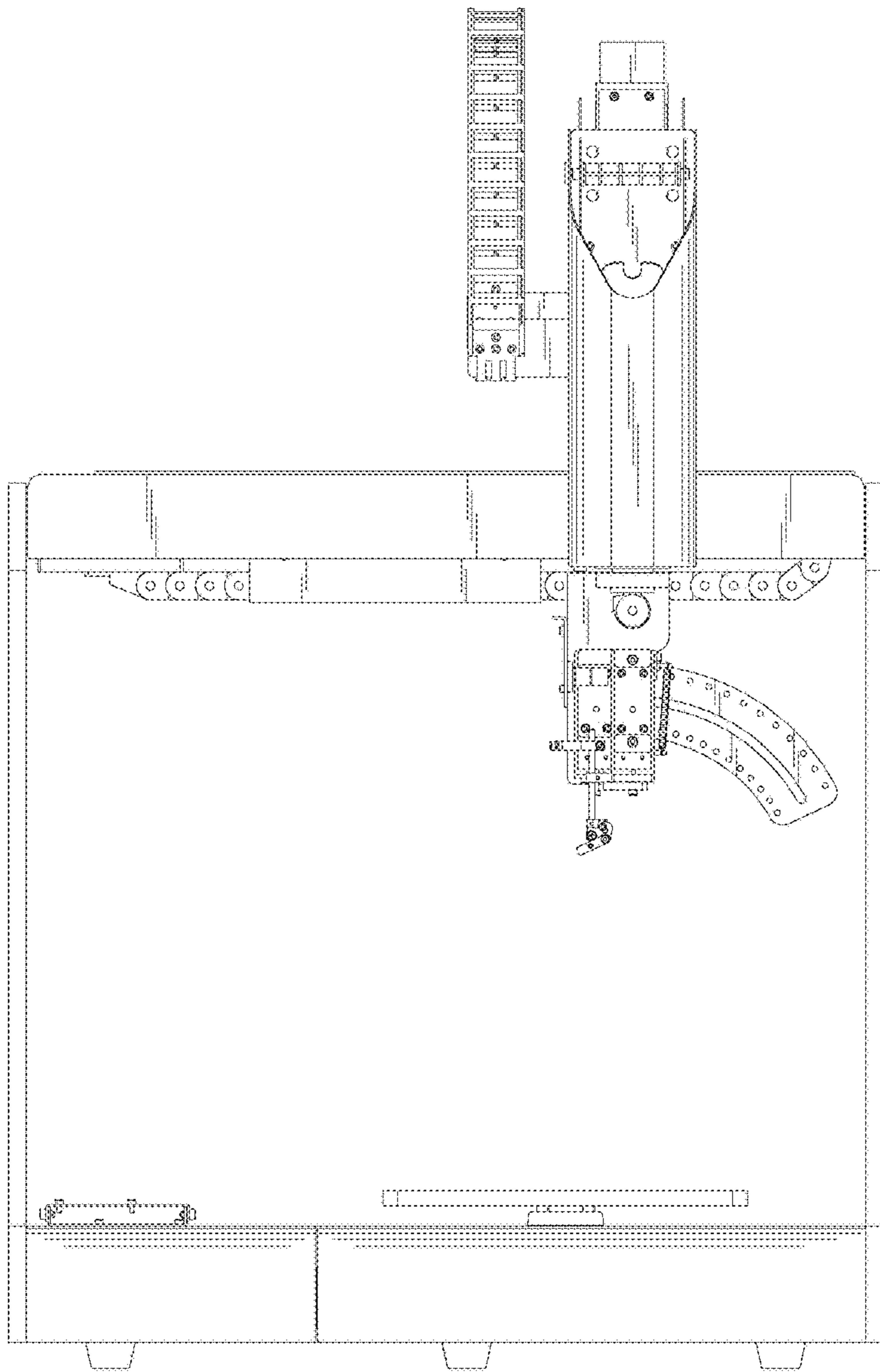


FIG.3

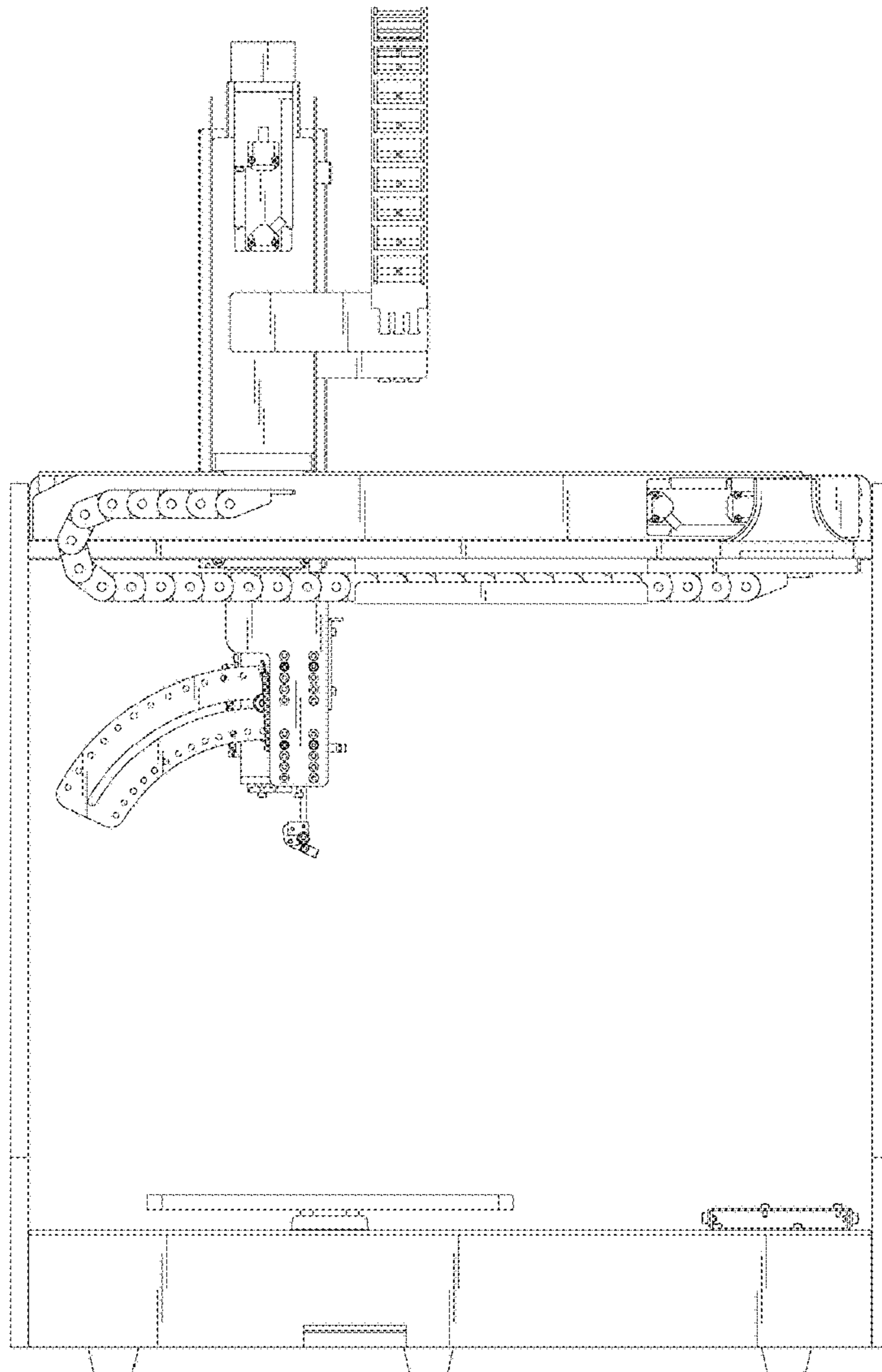


FIG.4

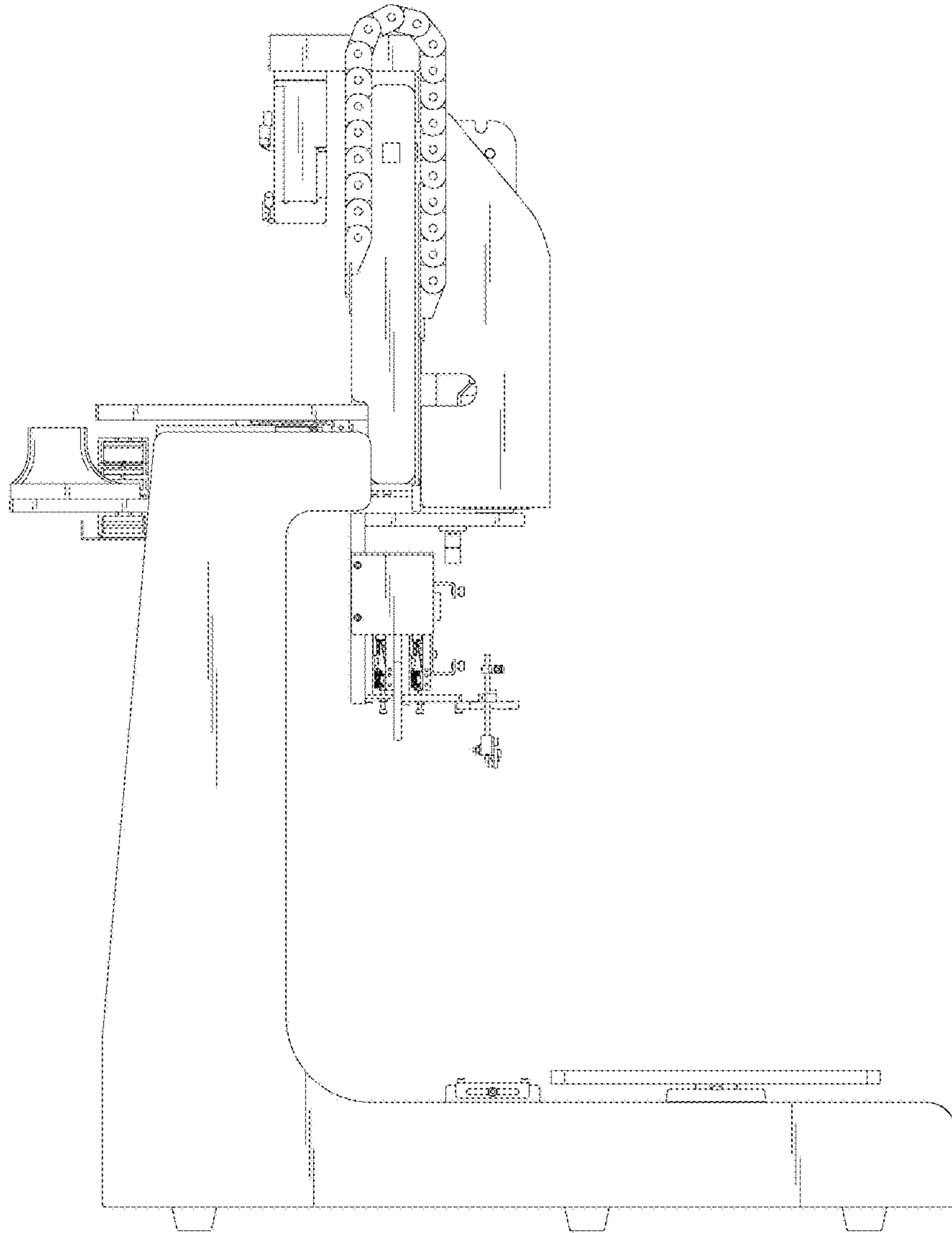


FIG.5

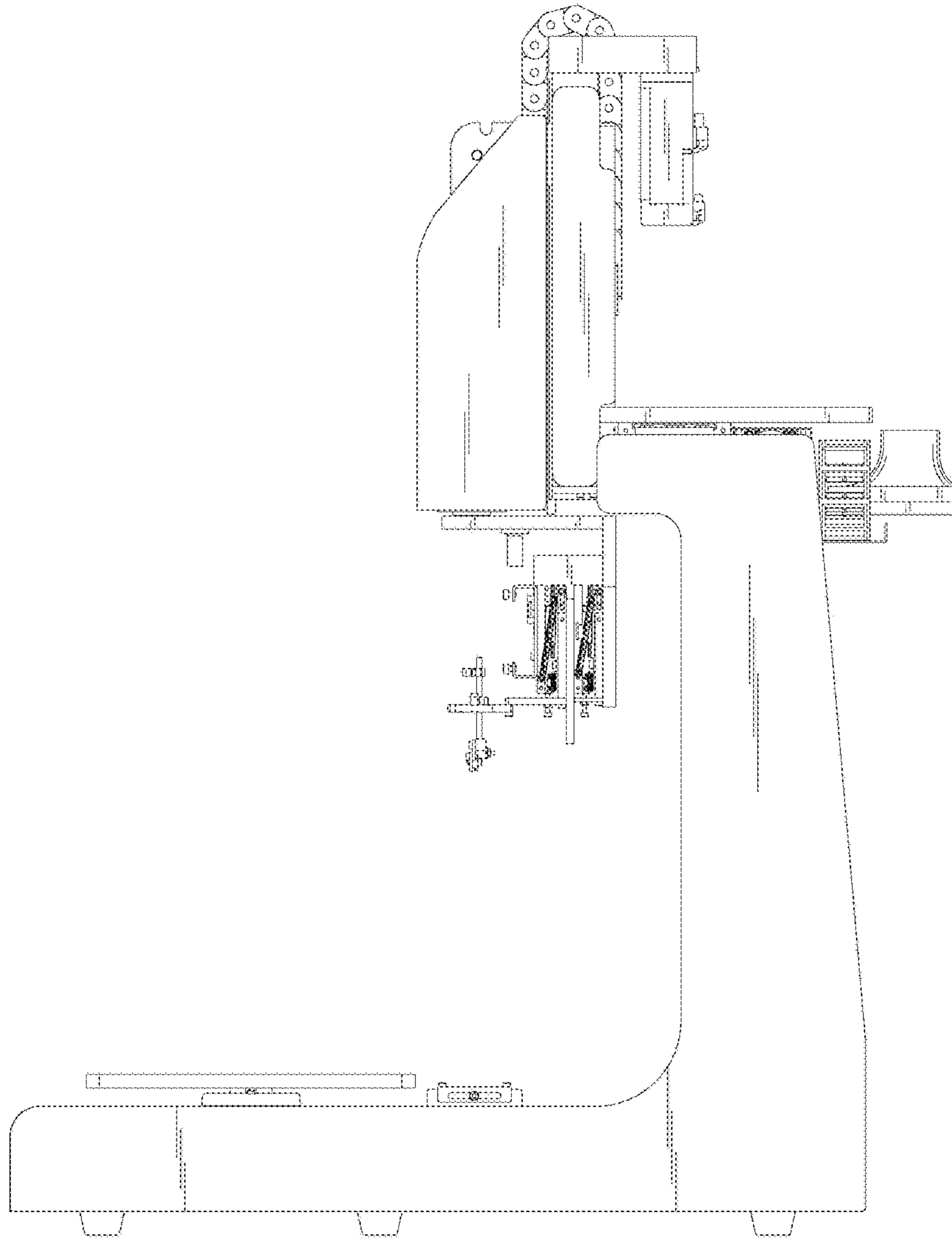


FIG.6

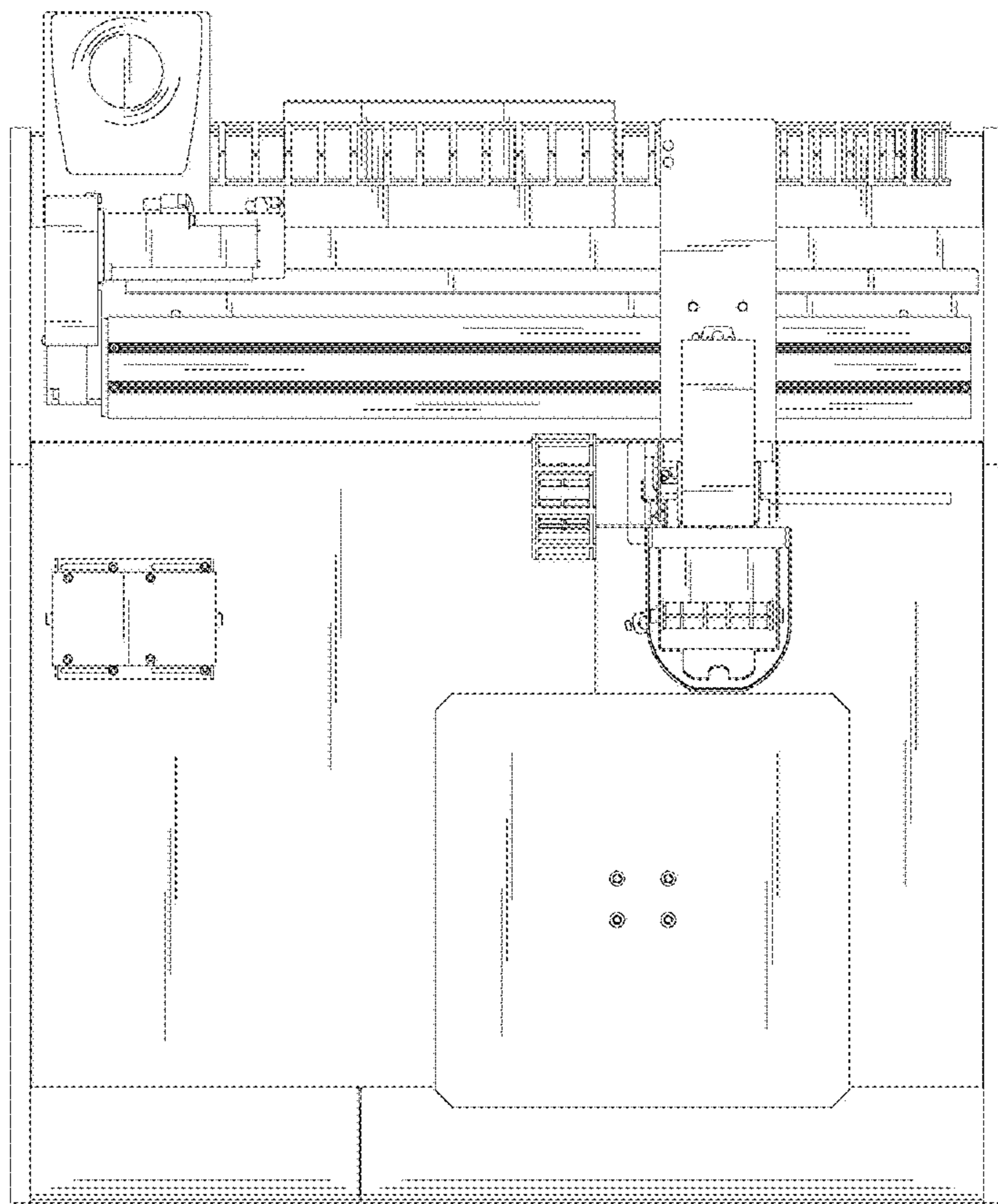


FIG.7

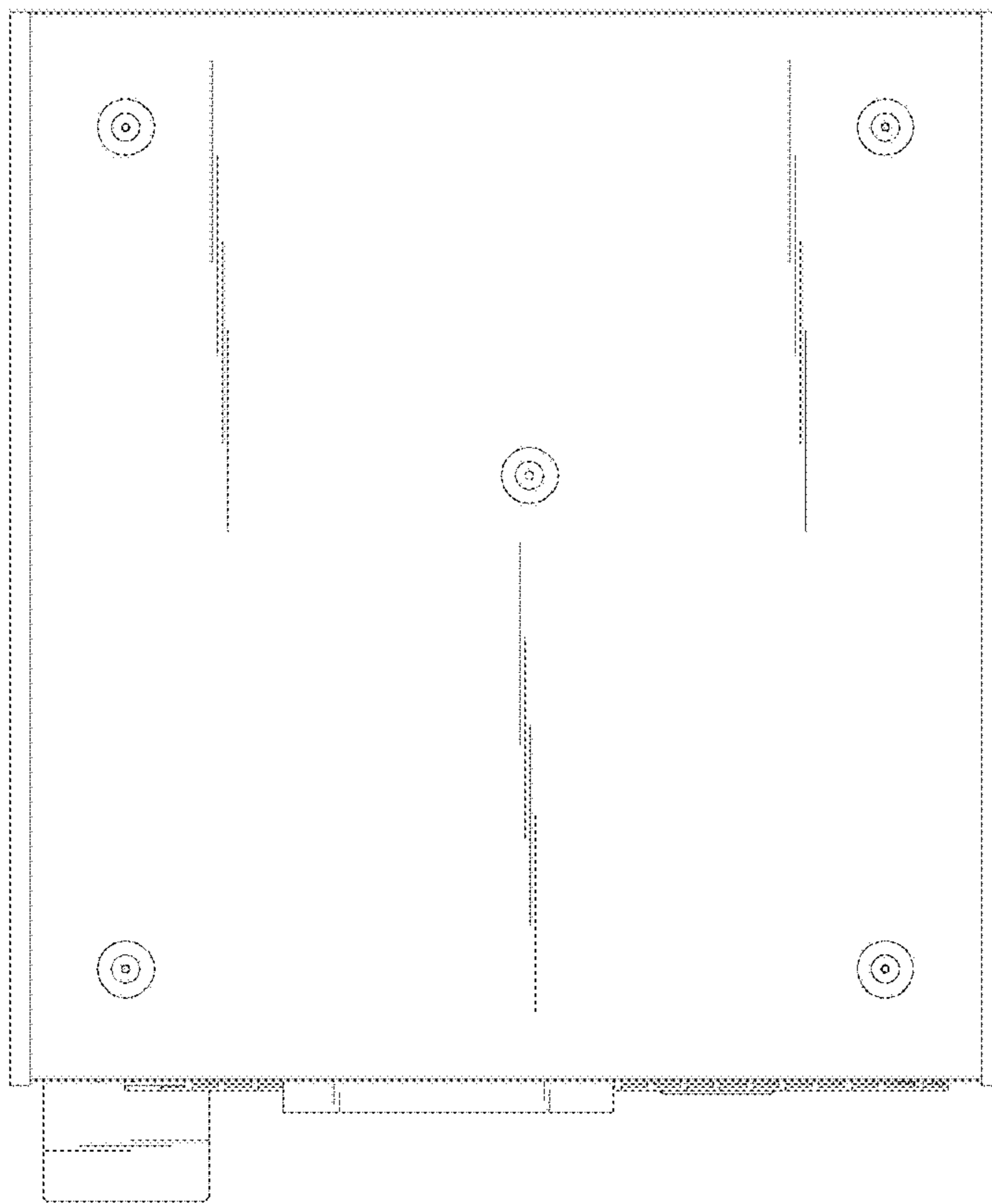


FIG.8