



US00D841064S

(12) **United States Design Patent** (10) **Patent No.:** **US D841,064 S**
Scholey et al. (45) **Date of Patent:** **** Feb. 19, 2019**

- (54) **MULTI-STROKE SWING LEVER**
- (71) Applicant: **Stolle Machinery Company, LLC**,
Centennial, CO (US)
- (72) Inventors: **Ian Kenneth Scholey**, Barnsley (GB);
Karl S. Fleischer, Denver, CO (US);
Alan W. Cleveland, Firestone, CO
(US)
- (73) Assignee: **Stolle Machinery Company, LLC**,
Centennial, CO (US)
- (**) Term: **15 Years**
- (21) Appl. No.: **29/647,603**
- (22) Filed: **May 15, 2018**

(56) **References Cited**

U.S. PATENT DOCUMENTS

1,621,053 A	3/1927	Besse	
3,380,284 A	4/1968	Breuer	
3,511,117 A	5/1970	Morse	
5,188,206 A	2/1993	Prince	
5,626,210 A	5/1997	Nelander	
6,099,195 A	8/2000	Egner-Walter	
D818,017 S *	5/2018	Scholey	D15/142
2007/0151533 A1	7/2007	Faria et al.	

* cited by examiner

Primary Examiner — Cynthia Ramirez
Assistant Examiner — Gino Colan

(74) *Attorney, Agent, or Firm* — Eckert Seamans Cherin & Mellott, LLC

(57) **CLAIM**

The ornamental design for a multi-stroke swing lever, as shown and described.

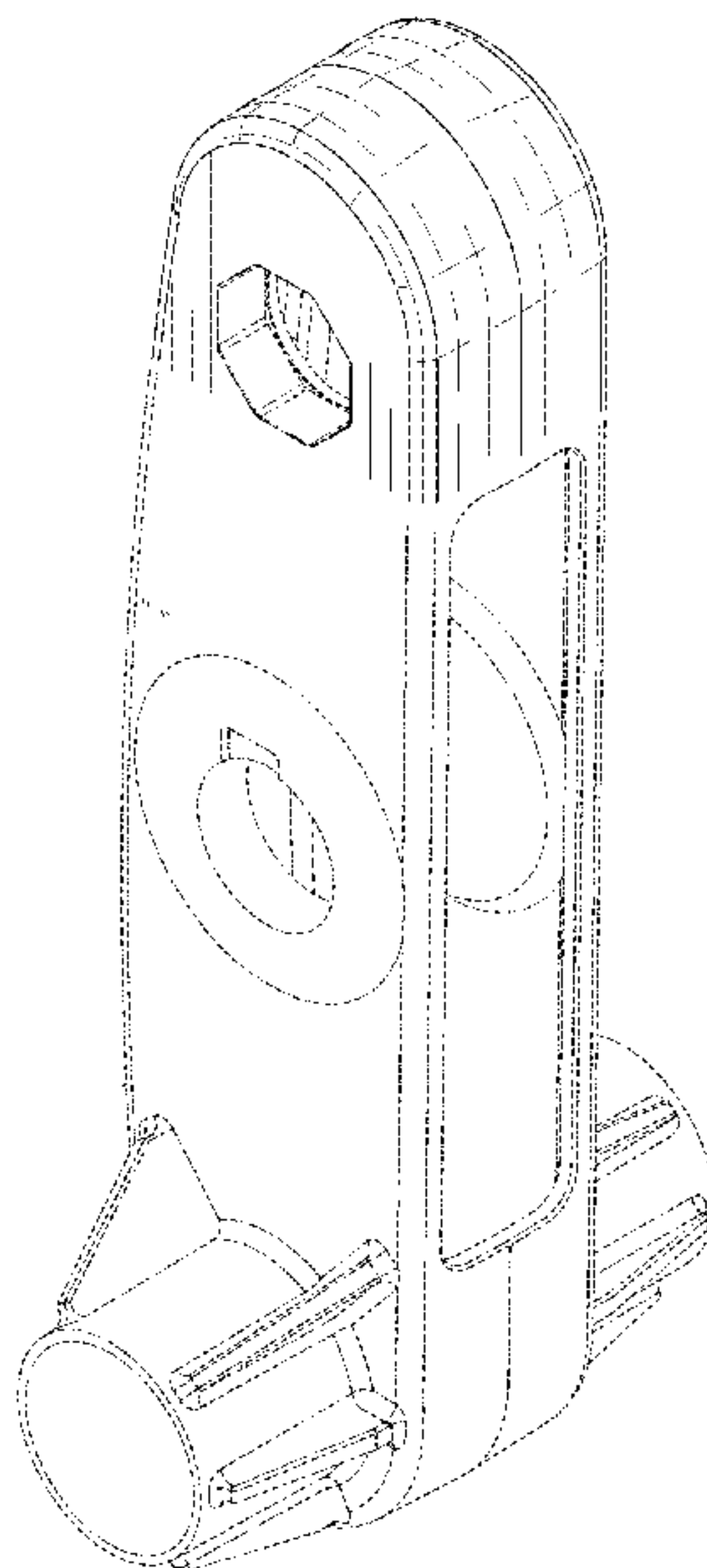
Related U.S. Application Data

- (63) Continuation of application No. 29/601,644, filed on Apr. 25, 2017, now Pat. No. Des. 818,017.
- (51) **LOC (11) Cl.** **15-09**
- (52) **U.S. Cl.**
USPC **D15/142**
- (58) **Field of Classification Search**
USPC D23/233, 250, 245, 249; 137/527.2, 137/15.18, 625.17, 625.41; 72/347, 450; 74/519, 527, 528, 469, 489, 40, 473.18, 74/488, 602; D12/317; 123/403, 78 E, 123/90.41; D15/142; 384/254; 188/79.55; 477/113; 100/282
CPC F16K 15/035; B66F 3/12; Y10T 74/20582; Y10T 292/108
- See application file for complete search history.

DESCRIPTION

FIG. 1 is an isometric view of the multi-stroke swing lever; FIG. 2 is another isometric view of the multi-stroke swing lever; FIG. 3 is another isometric view of the multi-stroke swing lever; FIG. 4 is another isometric view of the multi-stroke swing lever; FIG. 5 is a back view of the multi-stroke swing lever; FIG. 6 is a right side view of the multi-stroke swing lever; FIG. 7 is a front view of the multi-stroke swing lever; FIG. 8 is left view of the multi-stroke swing lever; FIG. 9 is a top view of the multi-stroke swing lever; and, FIG. 10 is a bottom view of the multi-stroke swing lever. The broken lines in the drawings depict environmental subject matter only and form no part of the claimed design.

1 Claim, 9 Drawing Sheets



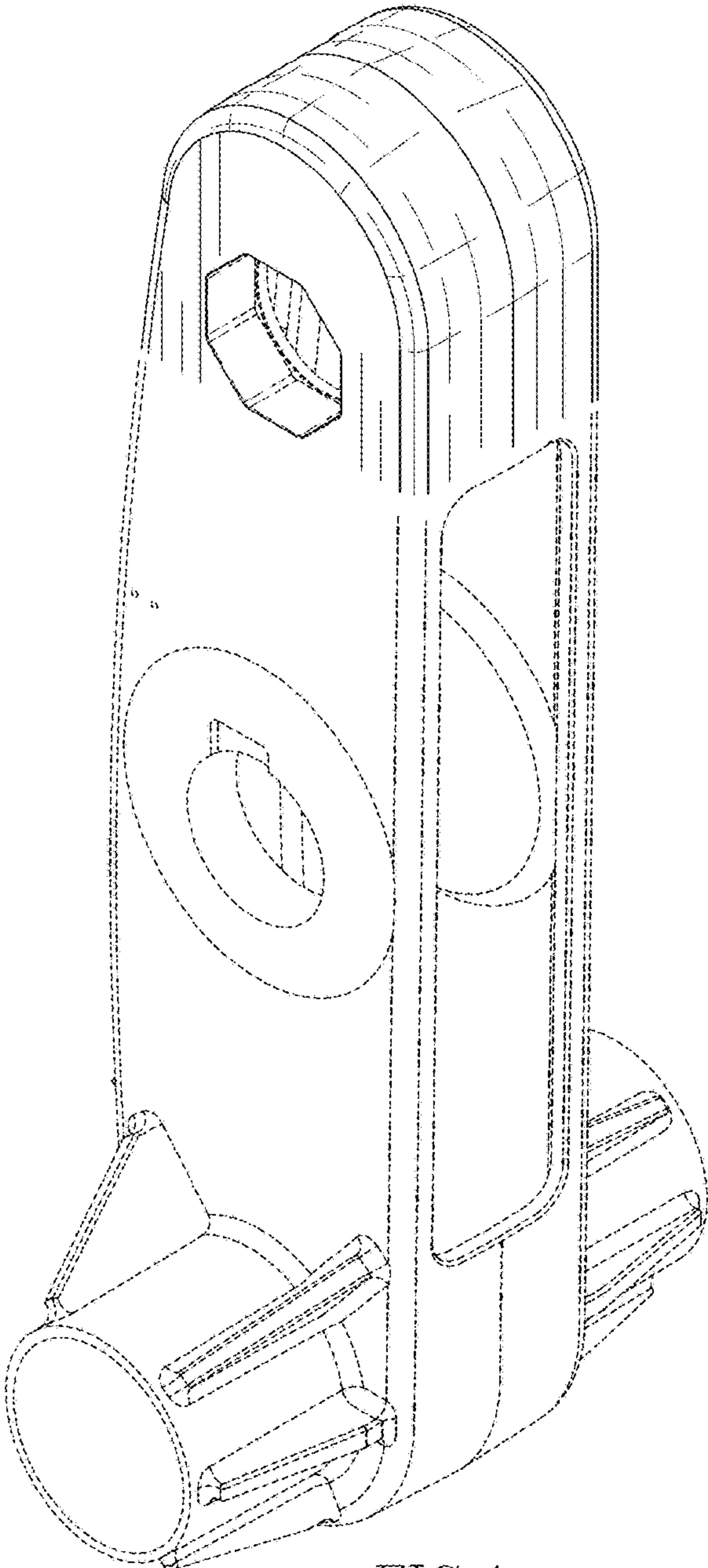


FIG. 1

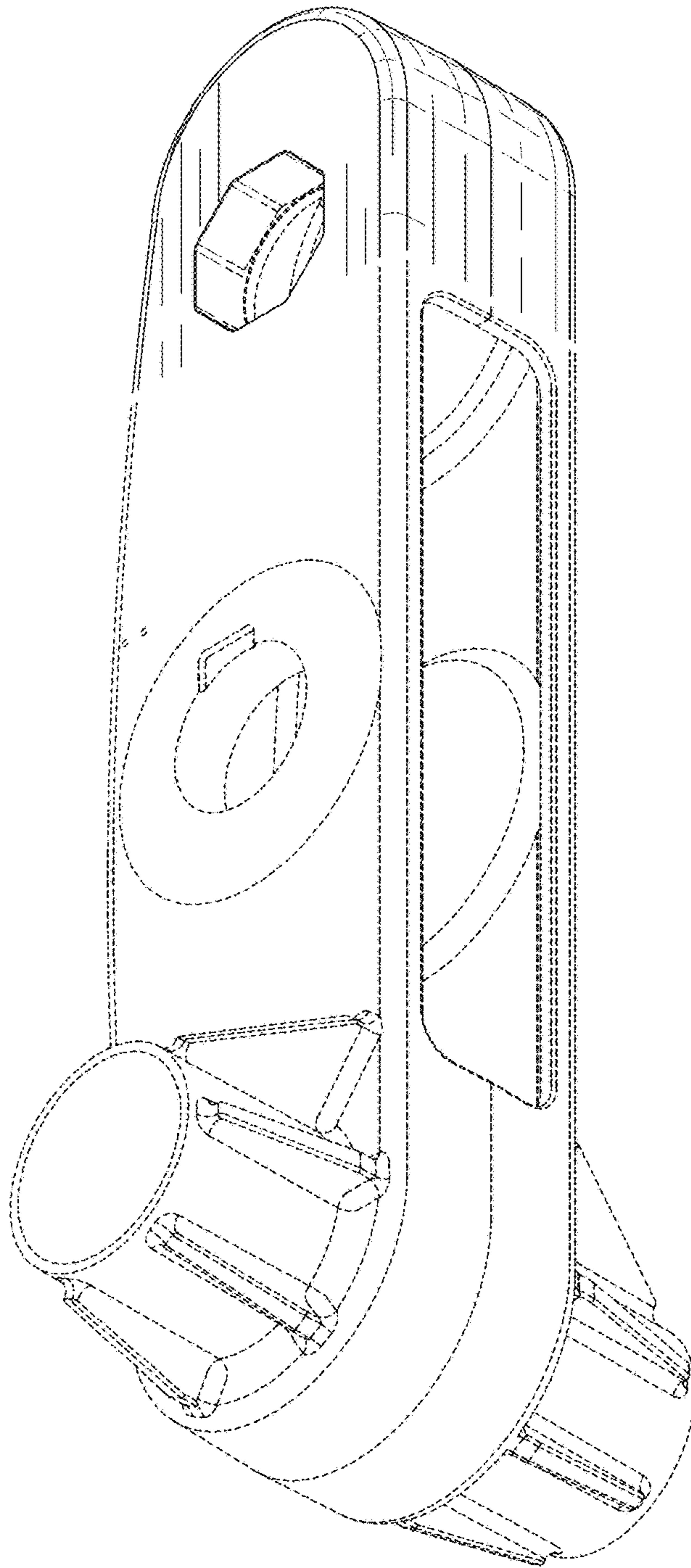


FIG. 2

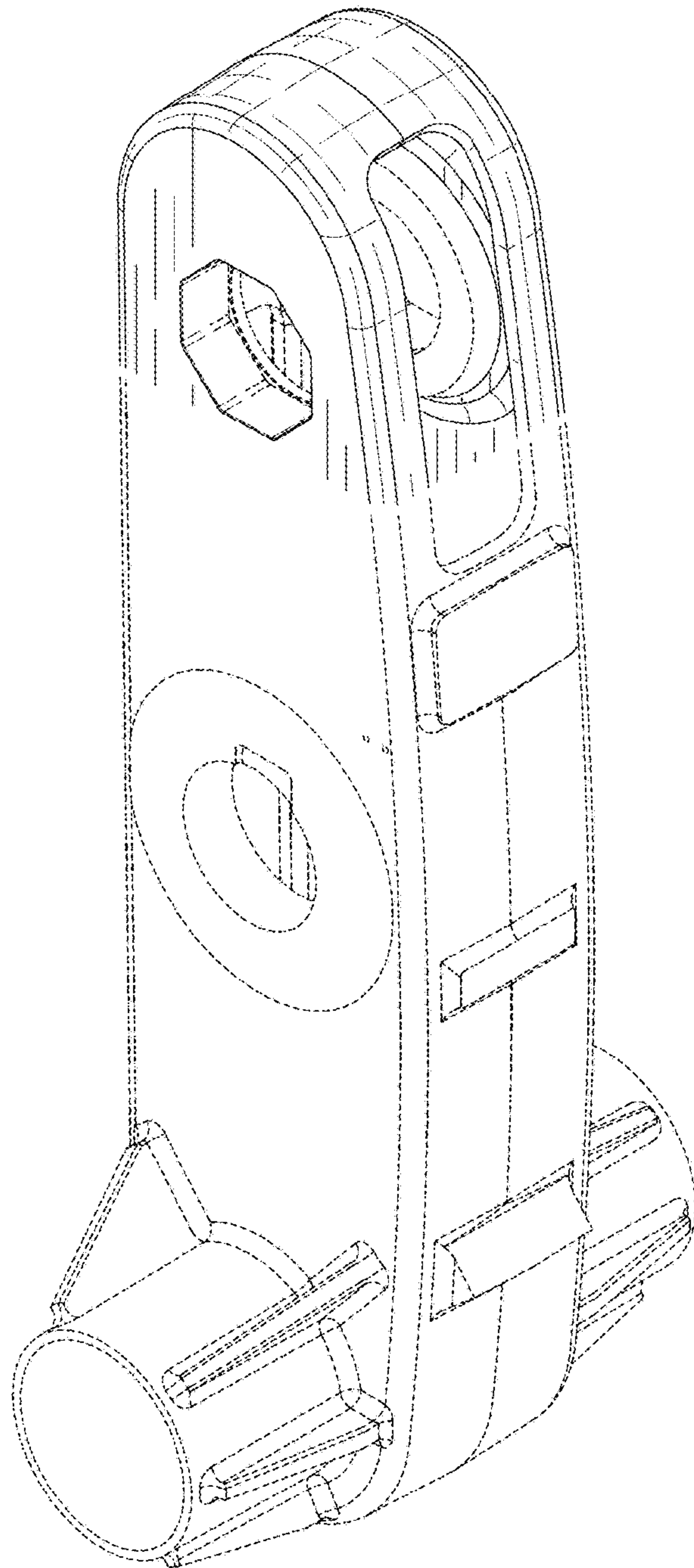


FIG. 3

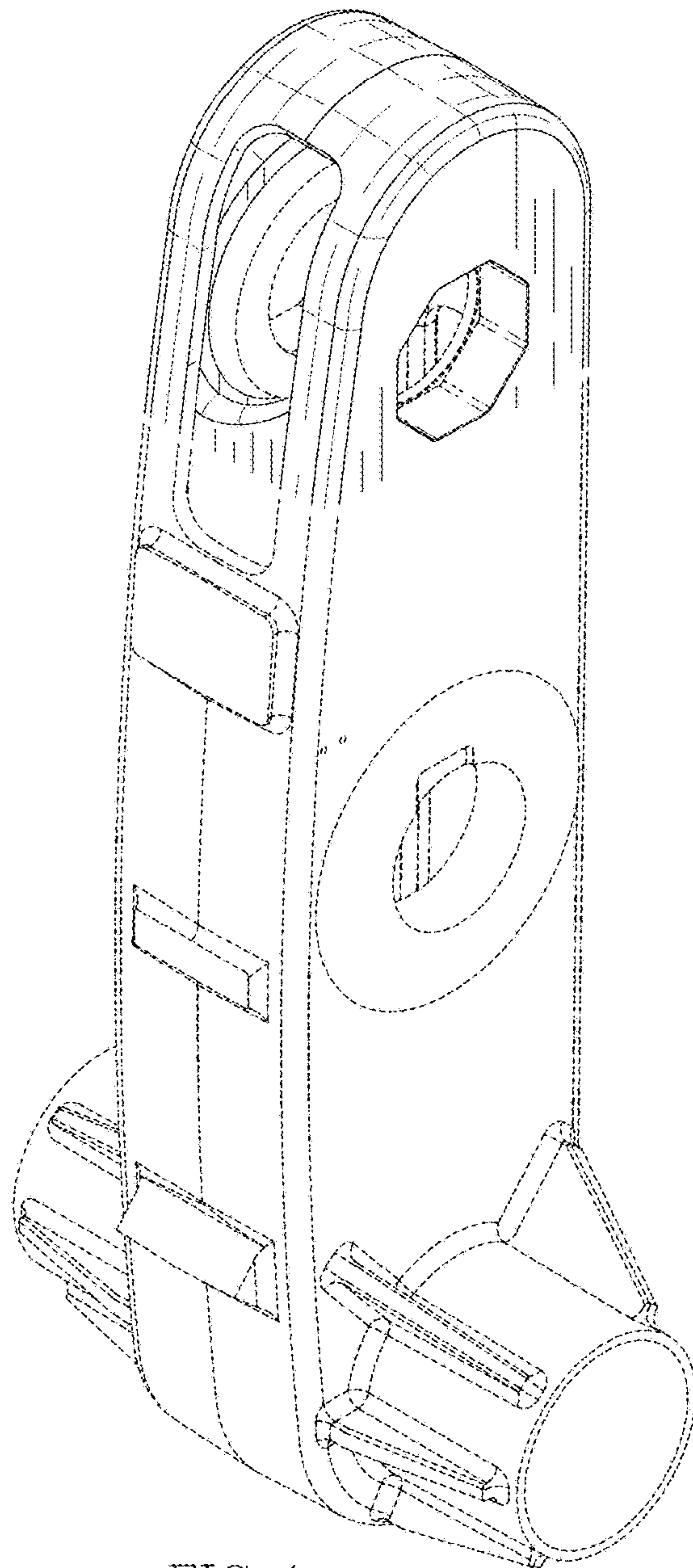


FIG. 4

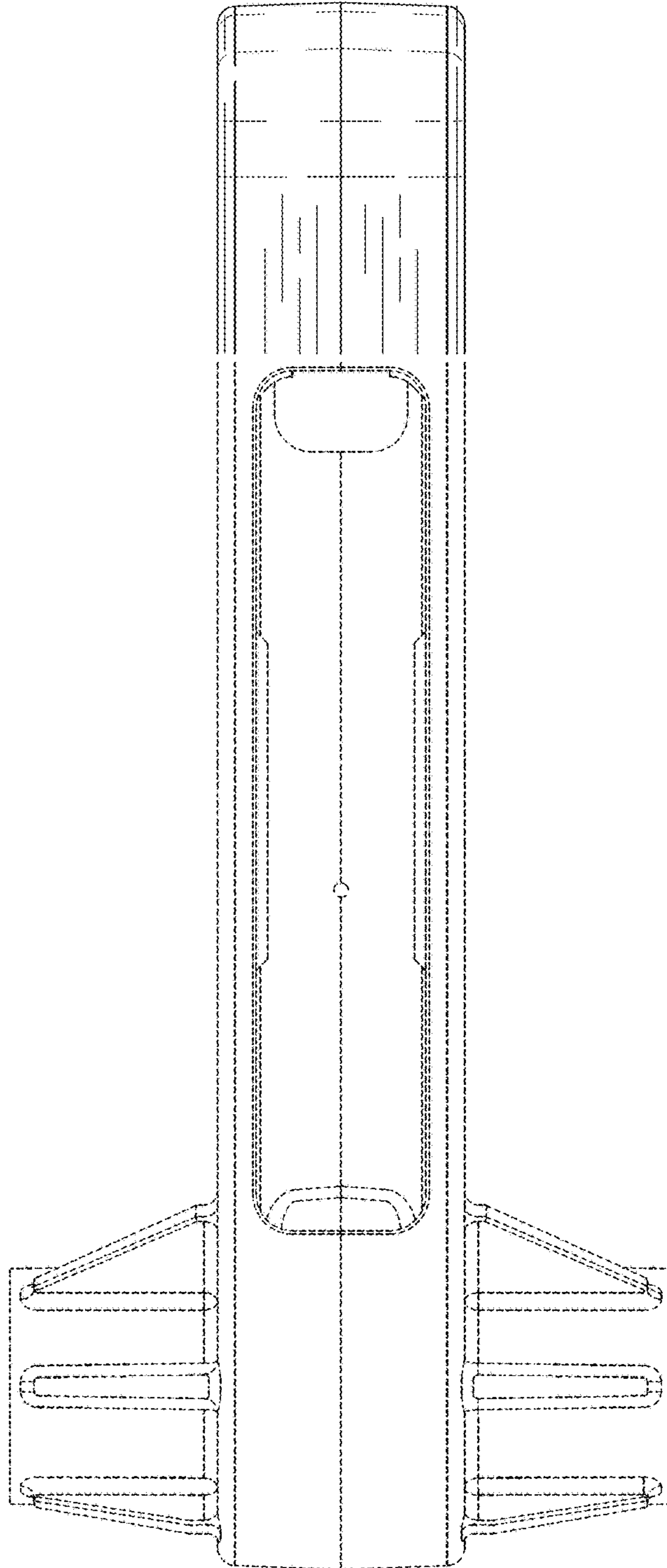


FIG. 5

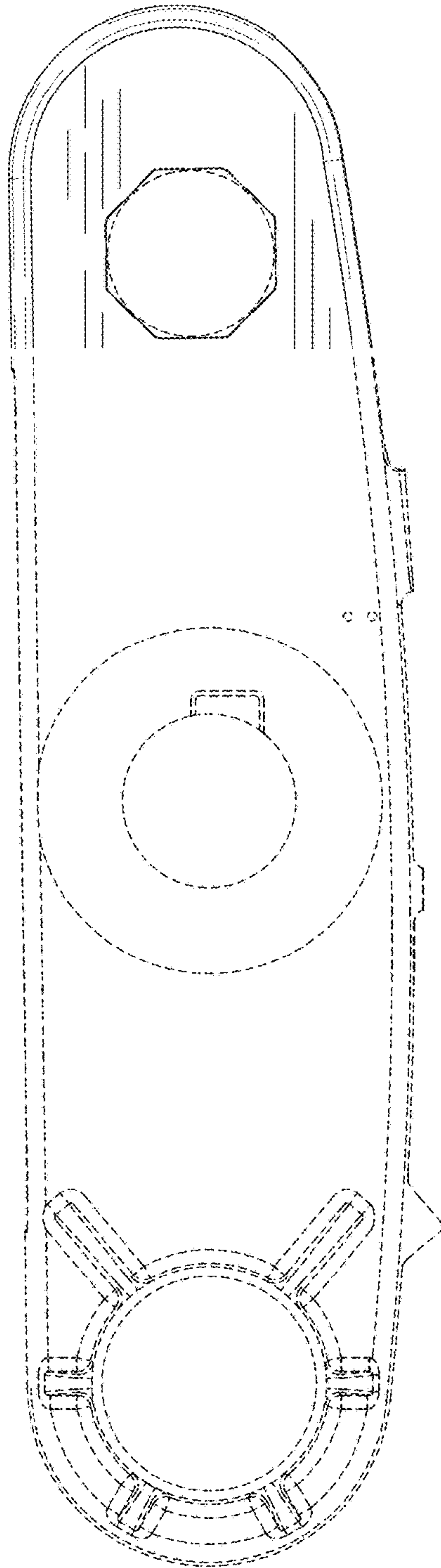


FIG. 6

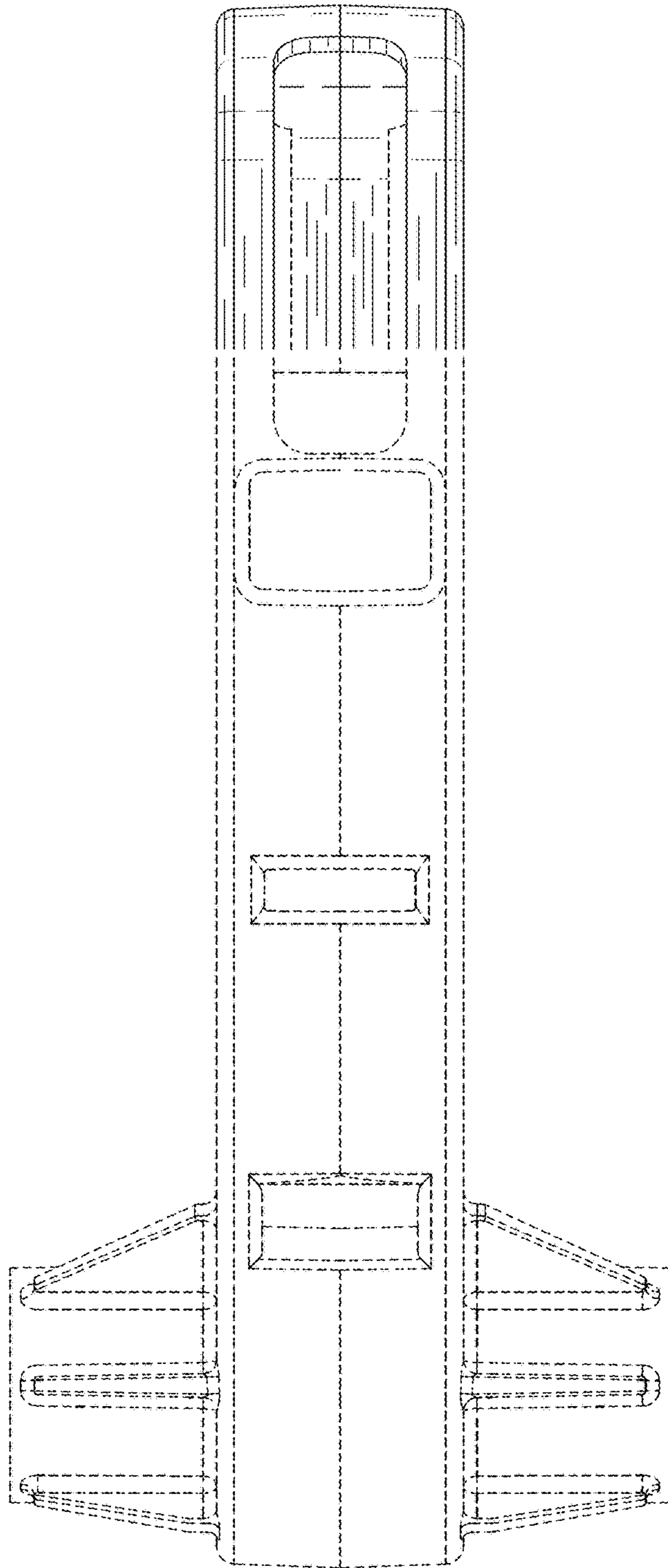


FIG. 7

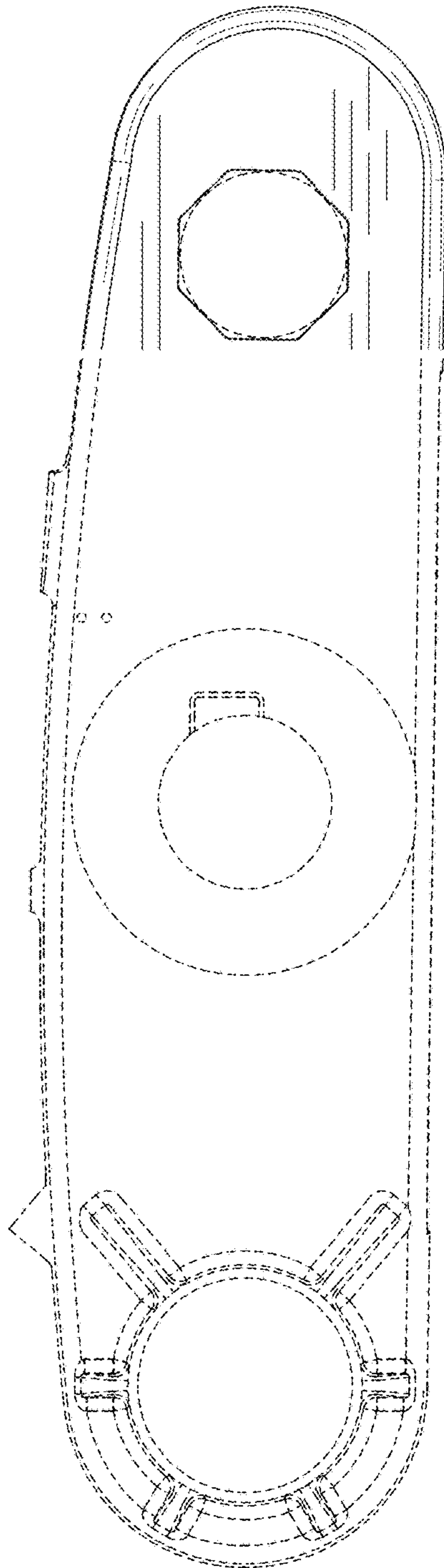


FIG. 8

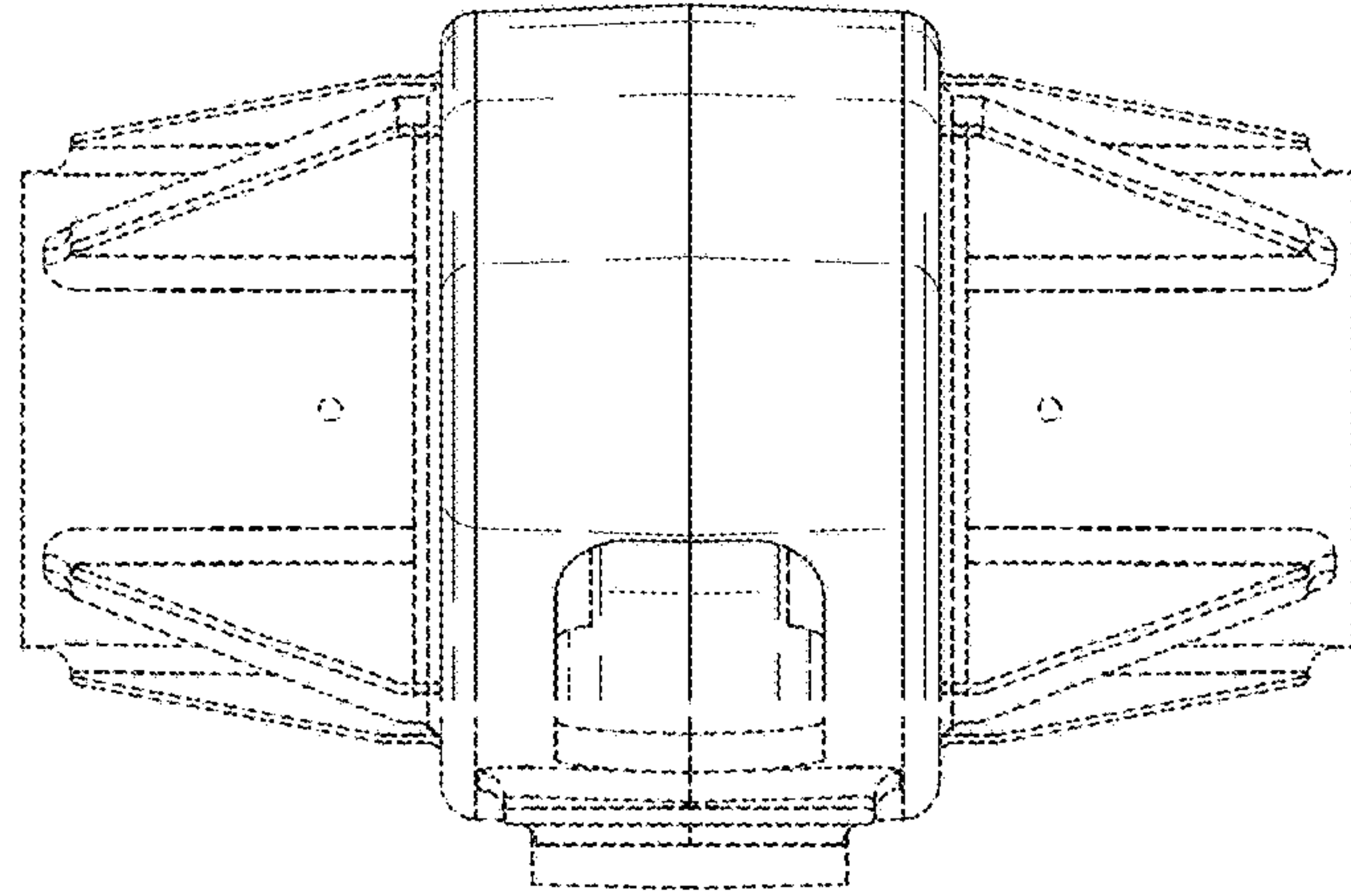


FIG. 9

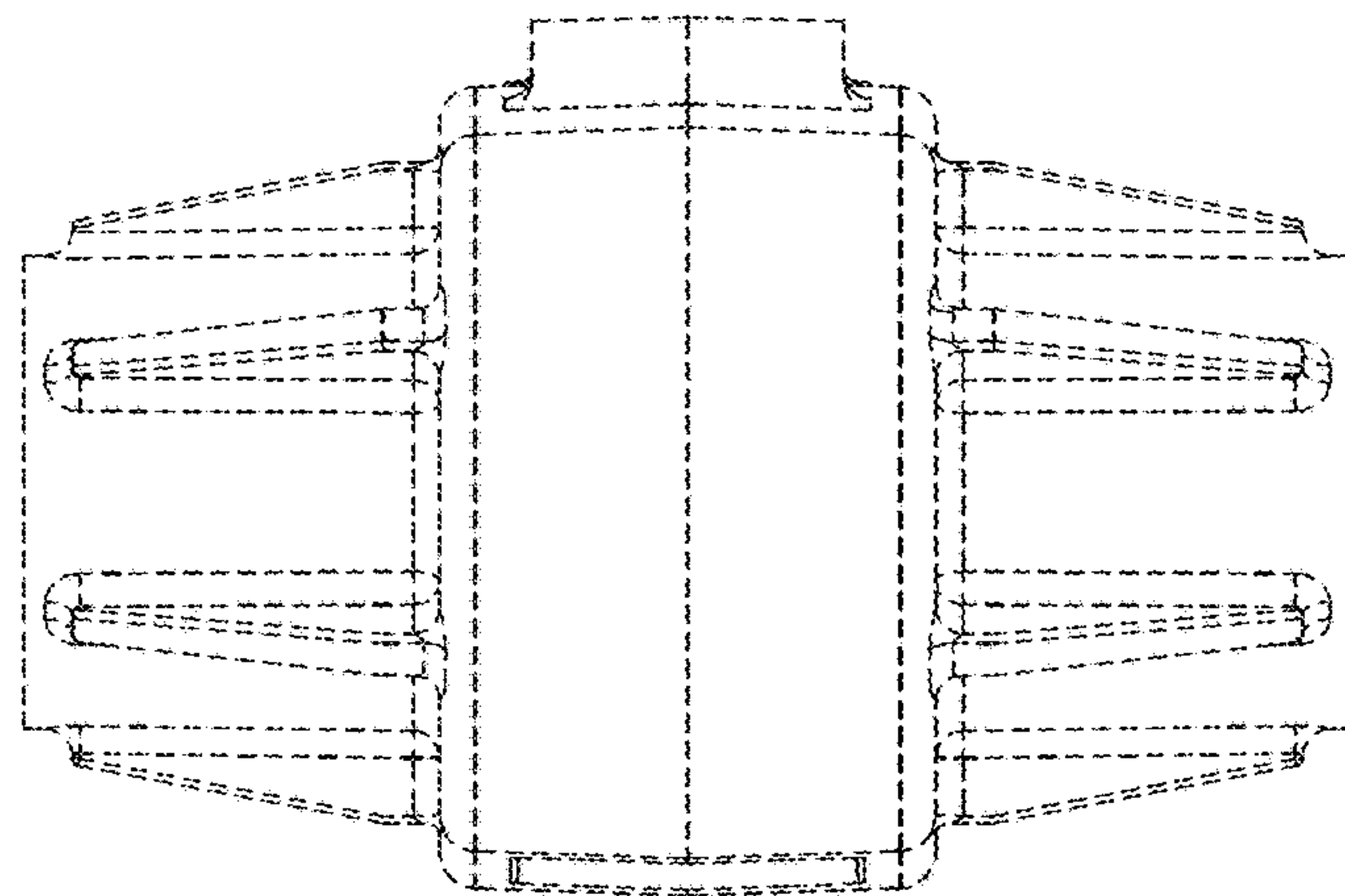


FIG. 10