



US00D841062S

(12) **United States Design Patent**
Kordus et al.

(10) **Patent No.:** **US D841,062 S**
(45) **Date of Patent:** **** Feb. 19, 2019**

- (54) **SAMPLE PREPARATION SAW**
- (71) Applicant: **Illinois Tool Works Inc.**, Glenview, IL (US)
- (72) Inventors: **Bryan J. Kordus**, Mount Pleasant, WI (US); **Sarah M. Beranek**, Glenview, IL (US); **Chelsea B. Frid**, Chicago, IL (US); **Jeffrey E. Joray**, Lake Villa, IL (US)
- (73) Assignee: **ILLINOIS TOOL WORKS INC.**, Glenview, IL (US)
- (**) Term: **15 Years**
- (21) Appl. No.: **29/580,472**
- (22) Filed: **Oct. 10, 2016**
- (51) **LOC (11) Cl.** **15-03**
- (52) **U.S. Cl.**
USPC **D15/133**
- (58) **Field of Classification Search**
USPC D15/124, 125, 126, 127, 133, 134
CPC .. B23D 57/023; B23D 45/044; B23D 47/005; B23D 47/02
See application file for complete search history.

D625,744 S *	10/2010	Wang	D15/127
D649,567 S *	11/2011	Schindler	D15/127
D681,699 S *	5/2013	Lin	D15/122
D694,787 S *	12/2013	Mueller	D15/122
D701,253 S *	3/2014	Thoma	D15/127
D726,789 S *	4/2015	Schmid	D15/122
D781,359 S *	3/2017	Krebber	D15/133

* cited by examiner

Primary Examiner — Ian Simmons
Assistant Examiner — Khawaja Anwar
(74) *Attorney, Agent, or Firm* — Levenfeld Pearlstein, LLC

(57) **CLAIM**

The ornamental design for sample preparation saw, as shown and described.

DESCRIPTION

FIG. 1 is a front, right hand side perspective view of a sample preparation saw embodying the principles of our new design;
FIG. 2 is a front view thereof;
FIG. 3 is a top view thereof;
FIG. 4 is a side view thereof as seen from the right hand side of FIG. 2;
FIG. 5 is a side view thereof as seen from the left hand side of FIG. 2;
FIG. 6 is a rear view thereof; and,
FIG. 7 is a bottom view thereof.
Portions of the sample preparation saw in FIGS. 6 and 7 are shown in phantom lines and form no part of the claimed design.

(56) **References Cited**

U.S. PATENT DOCUMENTS

D330,032 S *	10/1992	Cromer	D15/127
D512,447 S *	12/2005	Scholz	D15/133
D542,311 S *	5/2007	Inaba	D15/127
D604,344 S *	11/2009	Weingart	D15/124

1 Claim, 4 Drawing Sheets

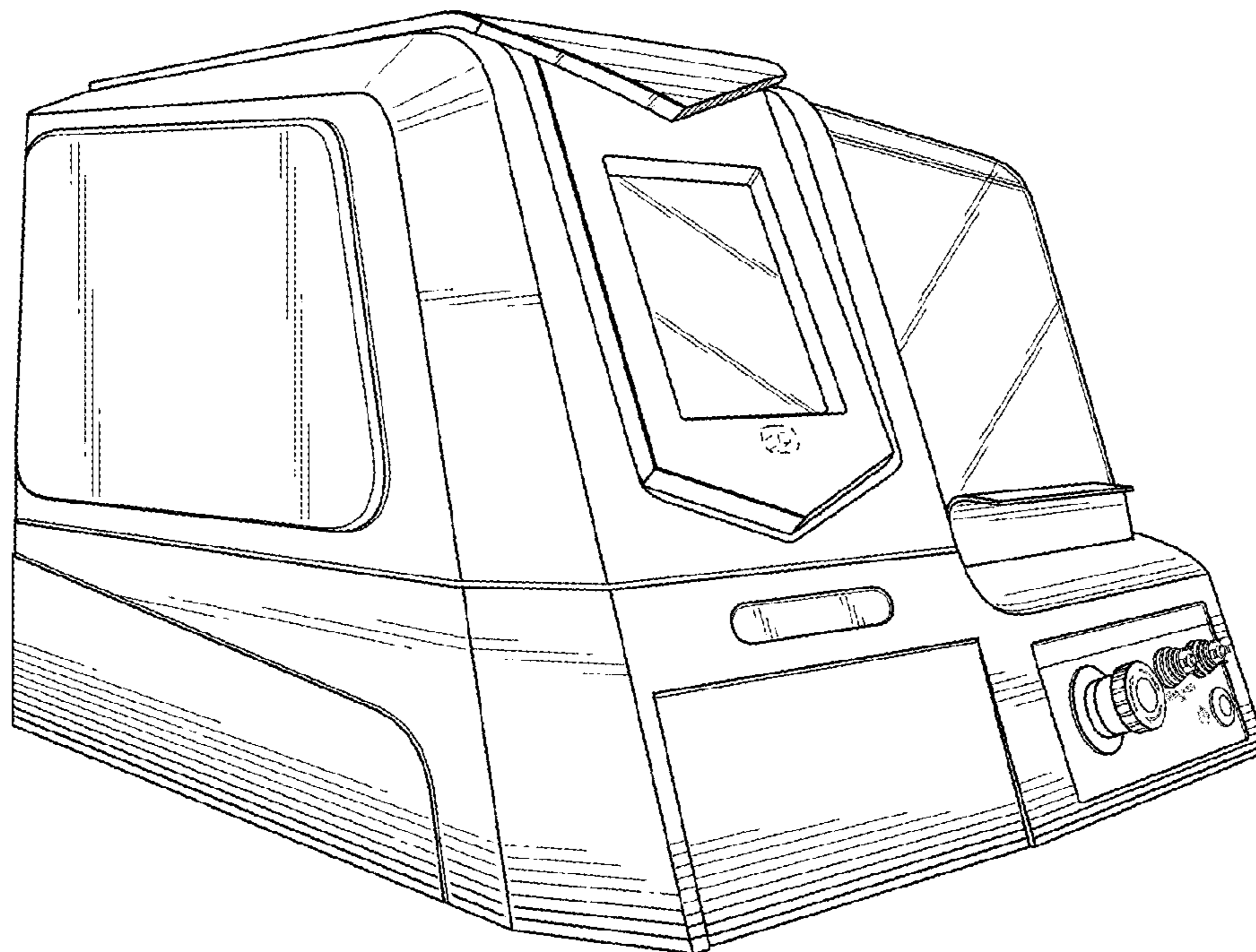


Fig. 1

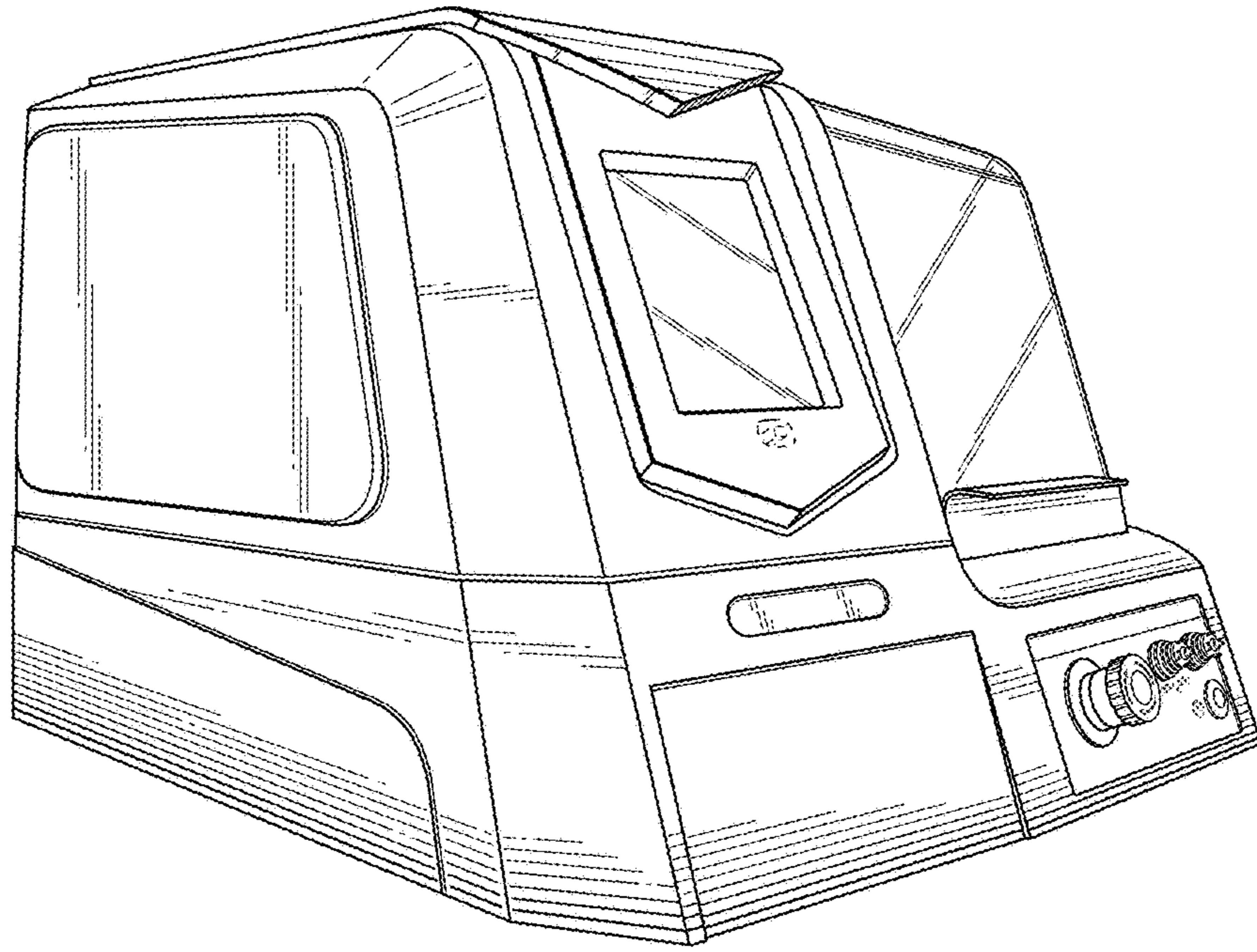


Fig. 2

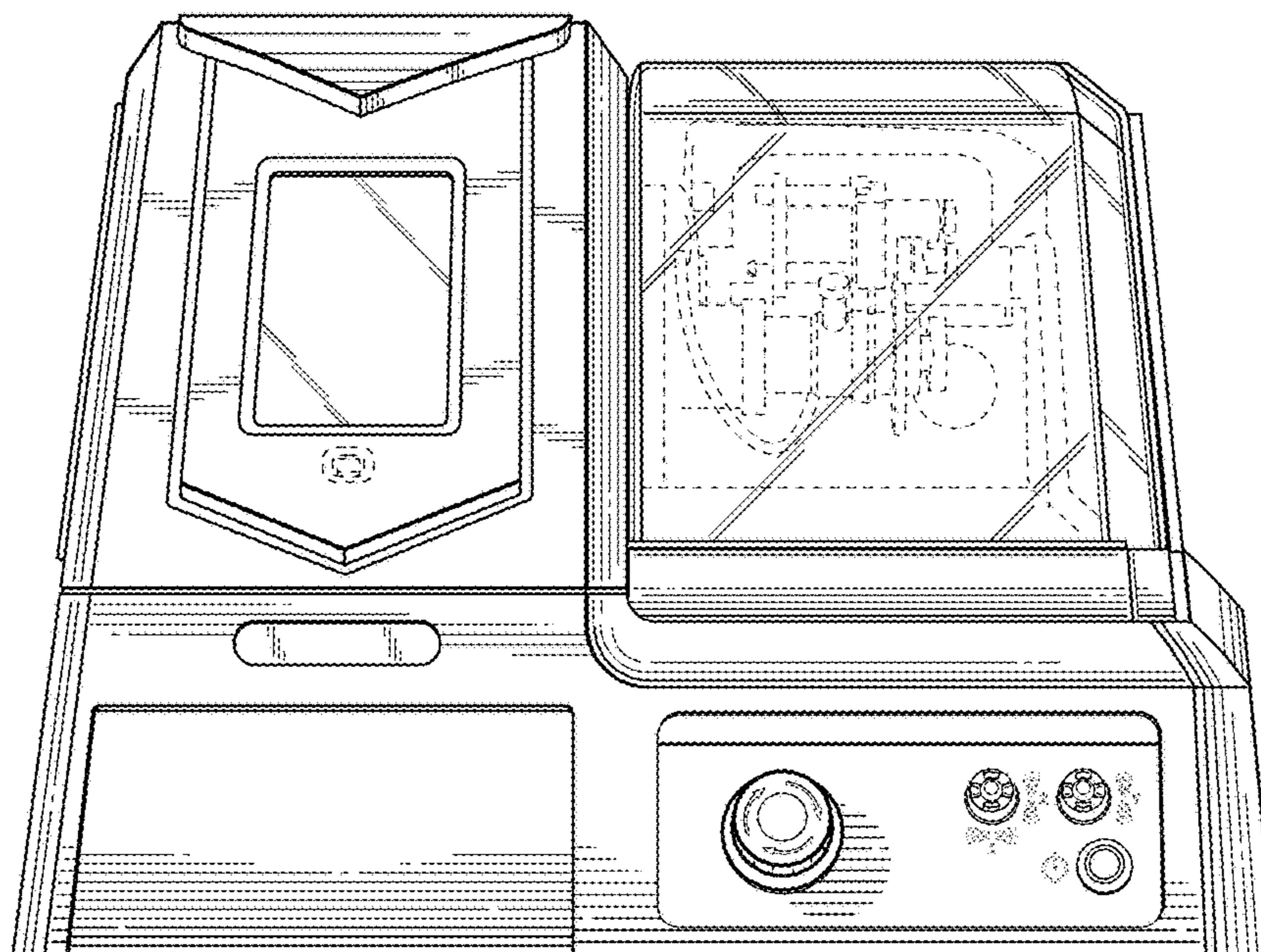


Fig. 3

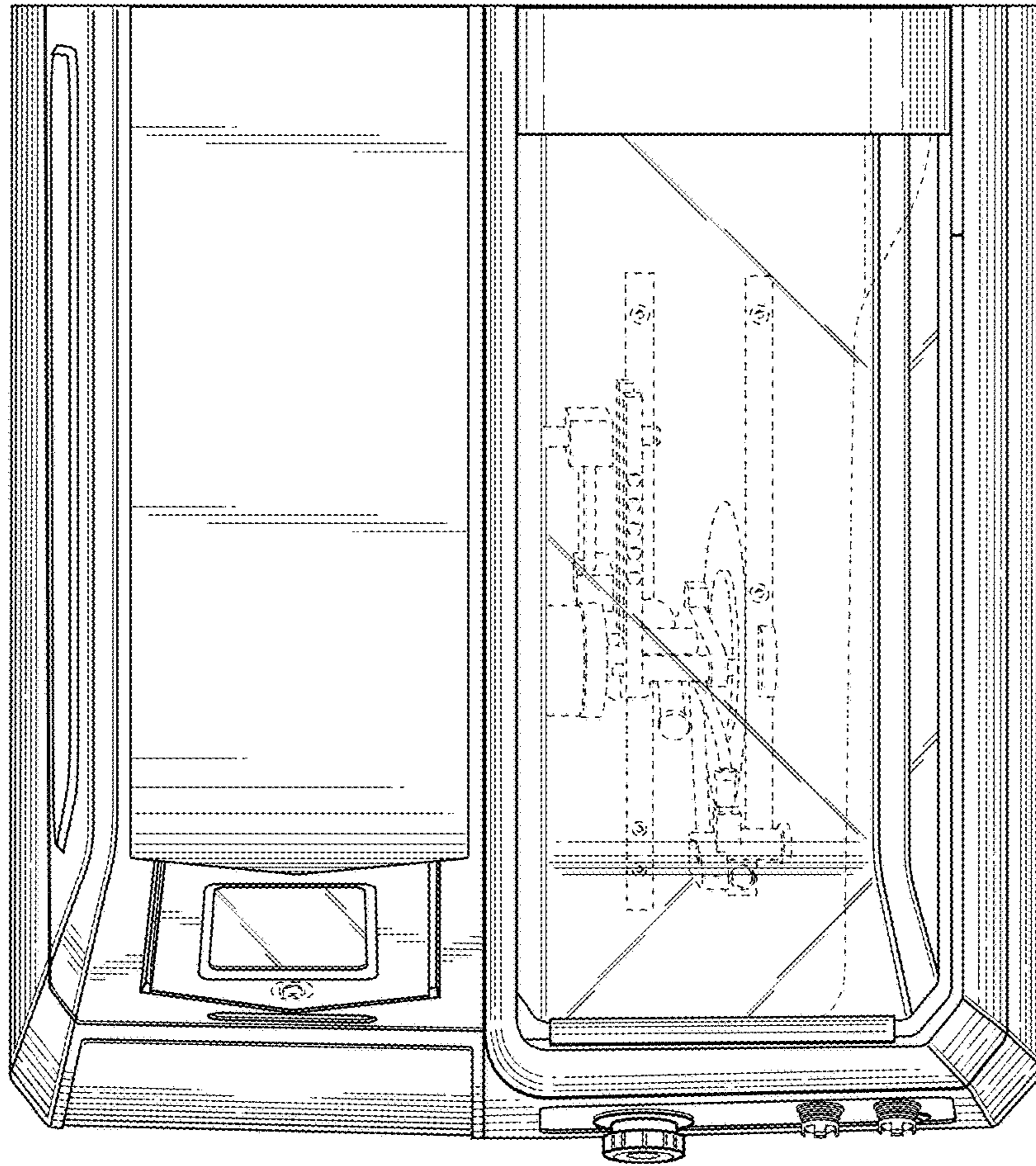


Fig. 4

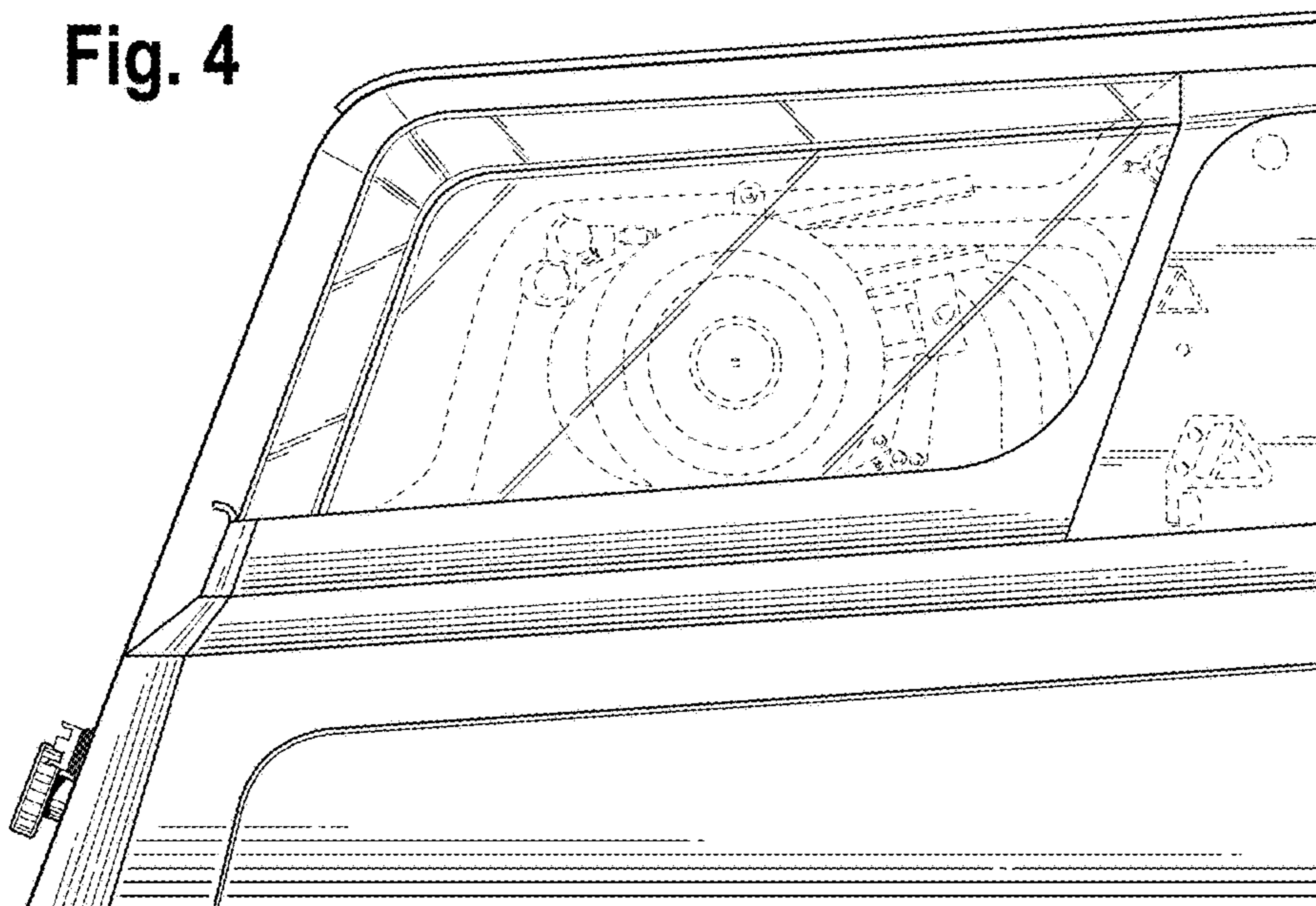


Fig. 5

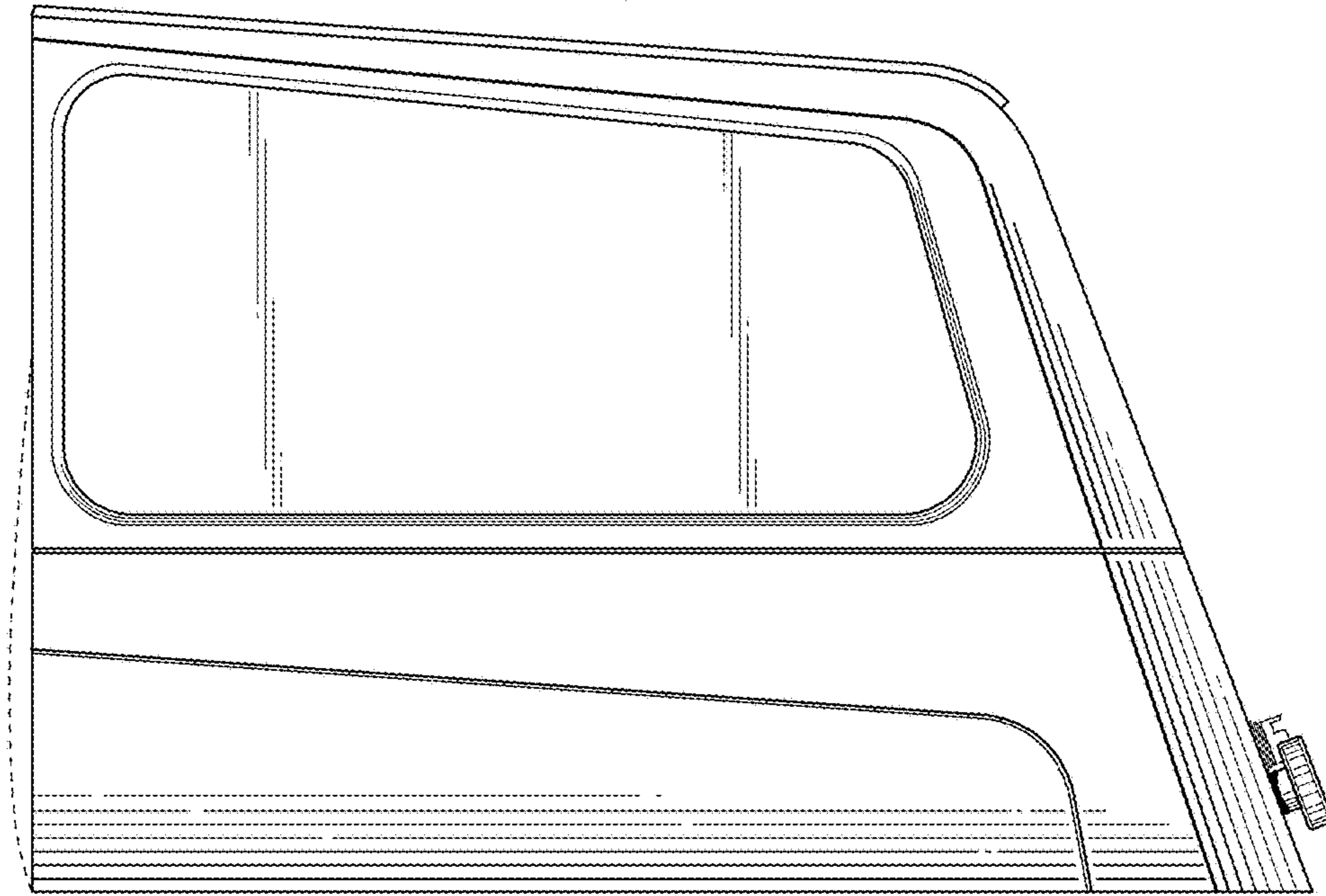


Fig. 6

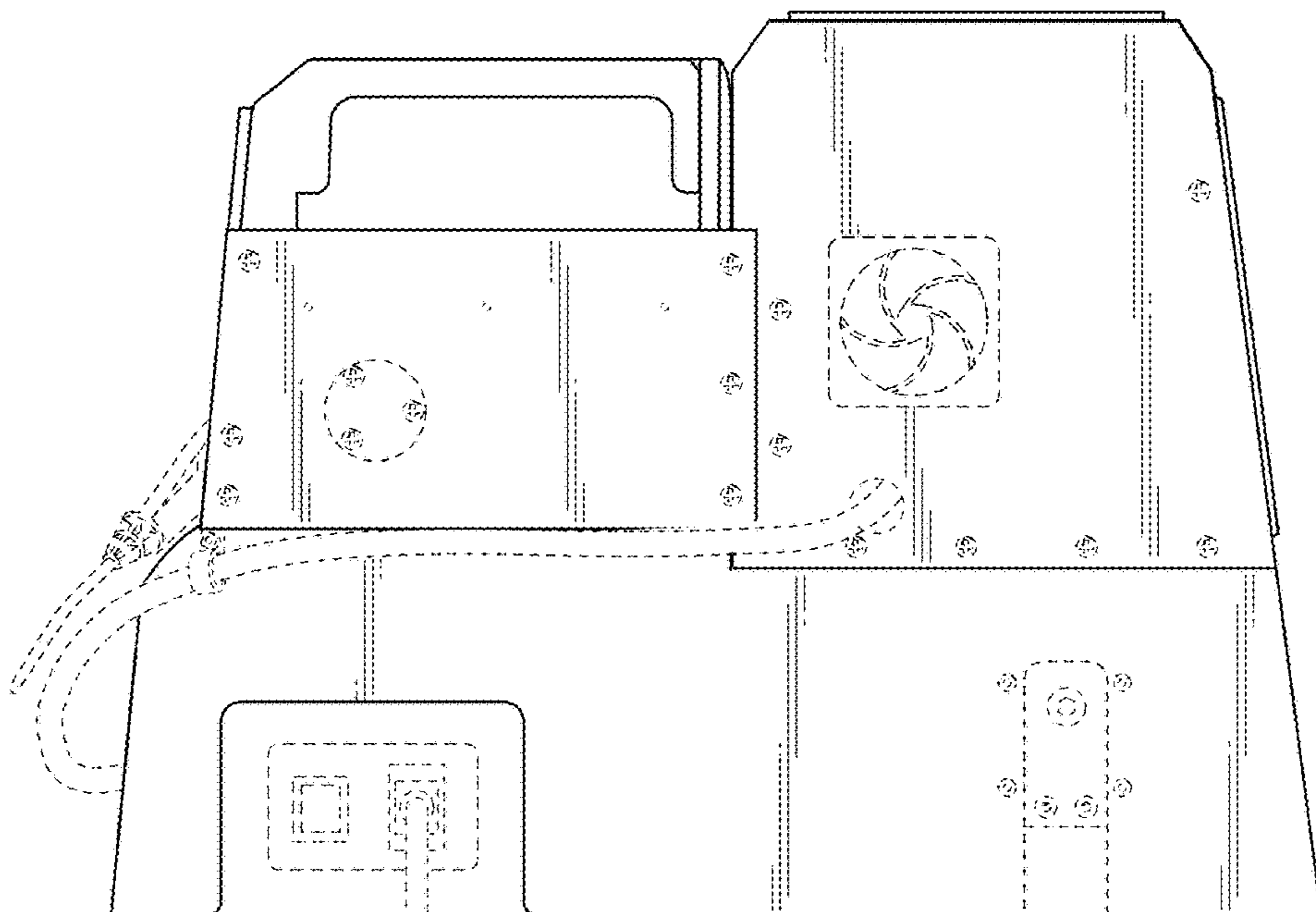


Fig. 7

