



US00D841060S

(12) **United States Design Patent** (10) **Patent No.:** **US D841,060 S**
Jeon et al. (45) **Date of Patent:** **** Feb. 19, 2019**

(54) **REFRIGERATOR**

(71) Applicant: **SAMSUNG ELECTRONICS CO., LTD.**, Suwon-si, Gyeonggi-do (KR)
 (72) Inventors: **Sangwoon Jeon**, Seoul (KR); **Hyunil Lee**, Seoul (KR); **Junhyeok Choi**, Seongnam-si (KR)
 (73) Assignee: **SAMSUNG ELECTRONICS CO., LTD.**, Gyeonggi-Do (KR)

(**) Term: **15 Years**

(21) Appl. No.: **29/636,103**
 (22) Filed: **Feb. 6, 2018**

Related U.S. Application Data

(62) Division of application No. 29/599,183, filed on Mar. 31, 2017.

(30) **Foreign Application Priority Data**

Dec. 26, 2016 (KR) 30-2016-0063161

(51) **LOC (11) Cl.** **15-07**

(52) **U.S. Cl.**
USPC **D15/91**

(58) **Field of Classification Search**

USPC D15/79-91
 CPC .. F25D 11/00; F25D 17/065; F25D 2325/022;
 F25D 23/069; F25D 25/025; F25D 11/02;
 F25D 17/062; F25D 21/12; F25D 21/125;
 F25D 21/14; F25D 2317/061; F25D
 2317/067; F25D 2323/021; F25D
 2323/024; F25D 23/028; F25D 23/04;
 F25D 23/066; F25D 23/085; F25D
 23/087; F25D 23/126; F25D 2400/02;
 F25D 2400/06; F25D 2400/361; F25D
 2400/40; F25D 25/005; F25D 25/02;
 F25D 2600/02; F25D 2700/02; F25D
 2700/12; F25D 2700/121; F25D 2700/14;
 F25D 29/00

See application file for complete search history.

(56) **References Cited**

U.S. PATENT DOCUMENTS

D666,635 S 9/2012 Jidam et al.
 D674,823 S 1/2013 Jidam et al.
 D703,244 S 4/2014 Seo et al.
 D703,245 S 4/2014 Seo et al.
 D711,935 S 8/2014 Lee et al.
 D714,363 S 9/2014 Jeon et al.
 D727,375 S 4/2015 You et al.

(Continued)

FOREIGN PATENT DOCUMENTS

CN 301686670 S 9/2011
 CN 301760365 S 12/2011
 CN 301785993 S 1/2012

Primary Examiner — Ian Simmons

Assistant Examiner — Khawaja Anwar

(74) *Attorney, Agent, or Firm* — Cantor Colburn LLP

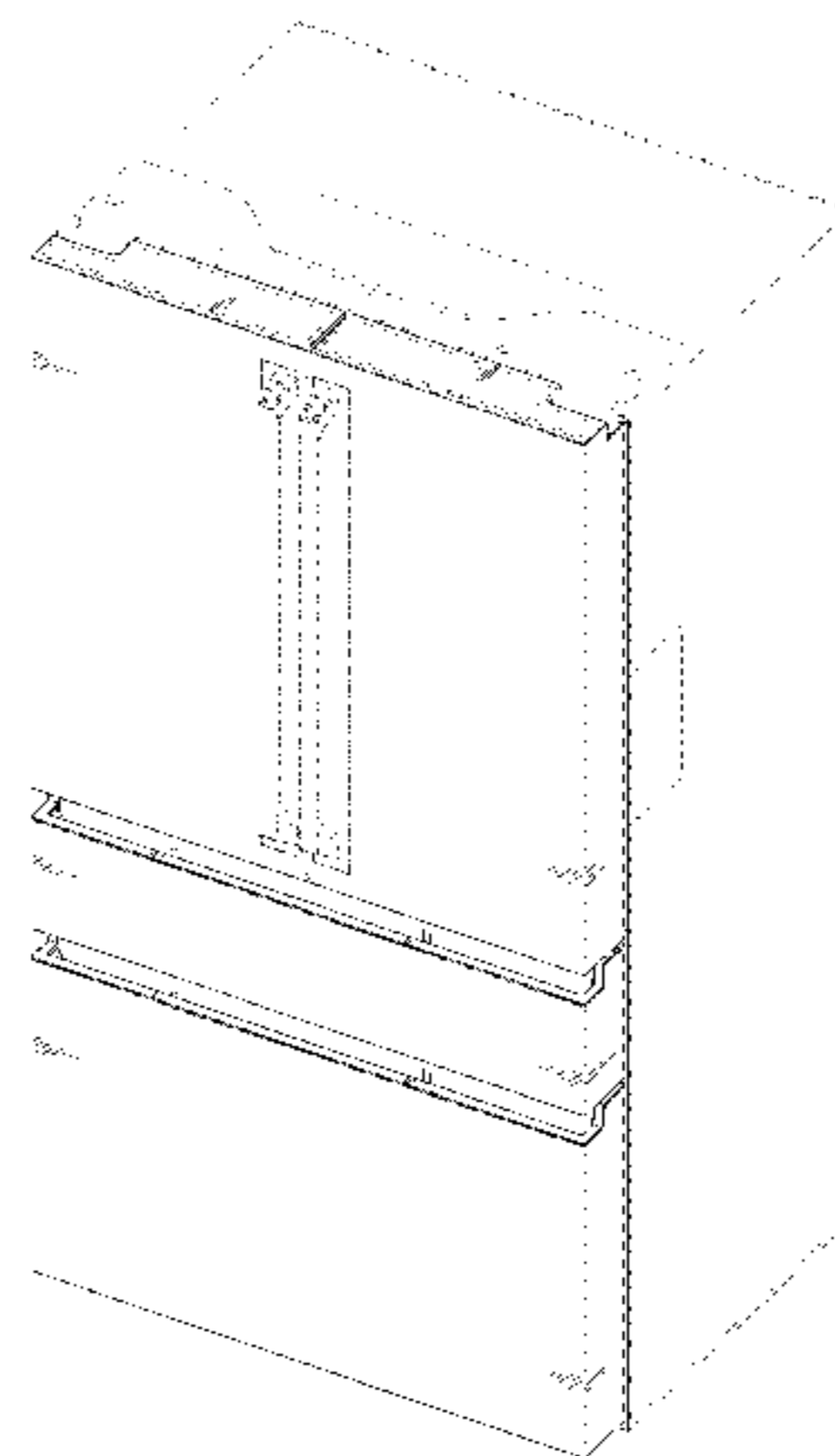
(57) **CLAIM**

The ornamental design for a refrigerator, as shown and described.

DESCRIPTION

FIG. 1 is a front perspective view of a refrigerator showing our new design;
 FIG. 2 is a front view thereof;
 FIG. 3 is a rear view thereof;
 FIG. 4 is a left-side view thereof;
 FIG. 5 is a right-side view thereof;
 FIG. 6 is a top view thereof; and,
 FIG. 7 is a bottom view thereof.
 The broken lines illustrating portions of the refrigerator form no part of the claimed design. The dot dash lines in the figures represent an unclaimed boundary line and form no part of the claimed design.

1 Claim, 7 Drawing Sheets



(56)

References Cited

U.S. PATENT DOCUMENTS

D771,724 S *	11/2016	Jeon	D15/86
D773,538 S	12/2016	Jeon et al.	
D786,947 S	5/2017	Kim et al.	
D789,995 S *	6/2017	Kim	D15/85
D798,342 S	9/2017	Kim et al.	
D798,343 S *	9/2017	Kwon	D15/86
D798,344 S *	9/2017	Kim	D15/86
D810,794 S *	2/2018	Kim	D15/85
D814,533 S *	4/2018	Kim	D15/85
D825,624 S *	8/2018	Kwon	D15/91
D827,683 S *	9/2018	Jeon	D15/85

* cited by examiner

FIG. 1

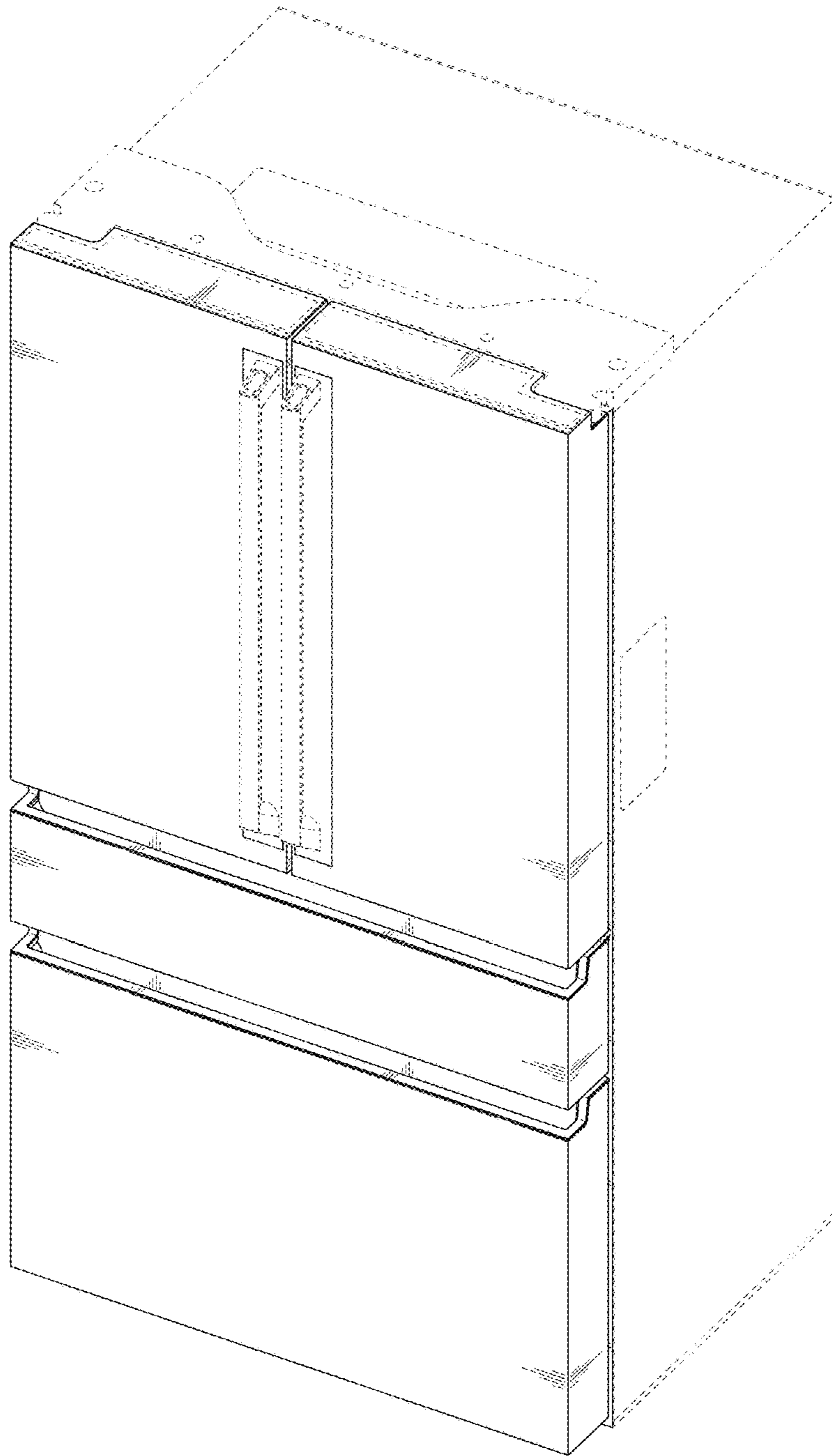


FIG. 2

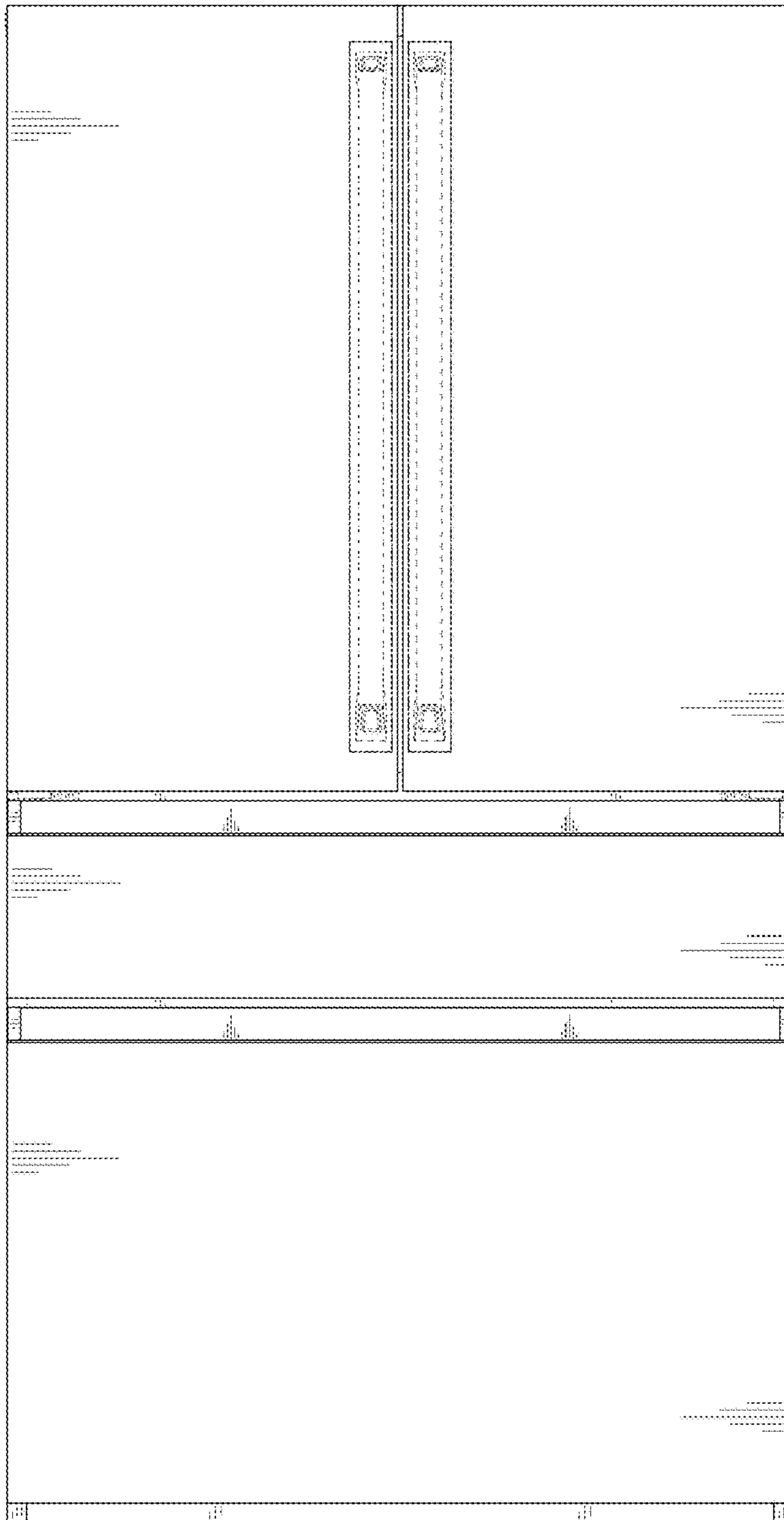


FIG. 3



FIG. 4

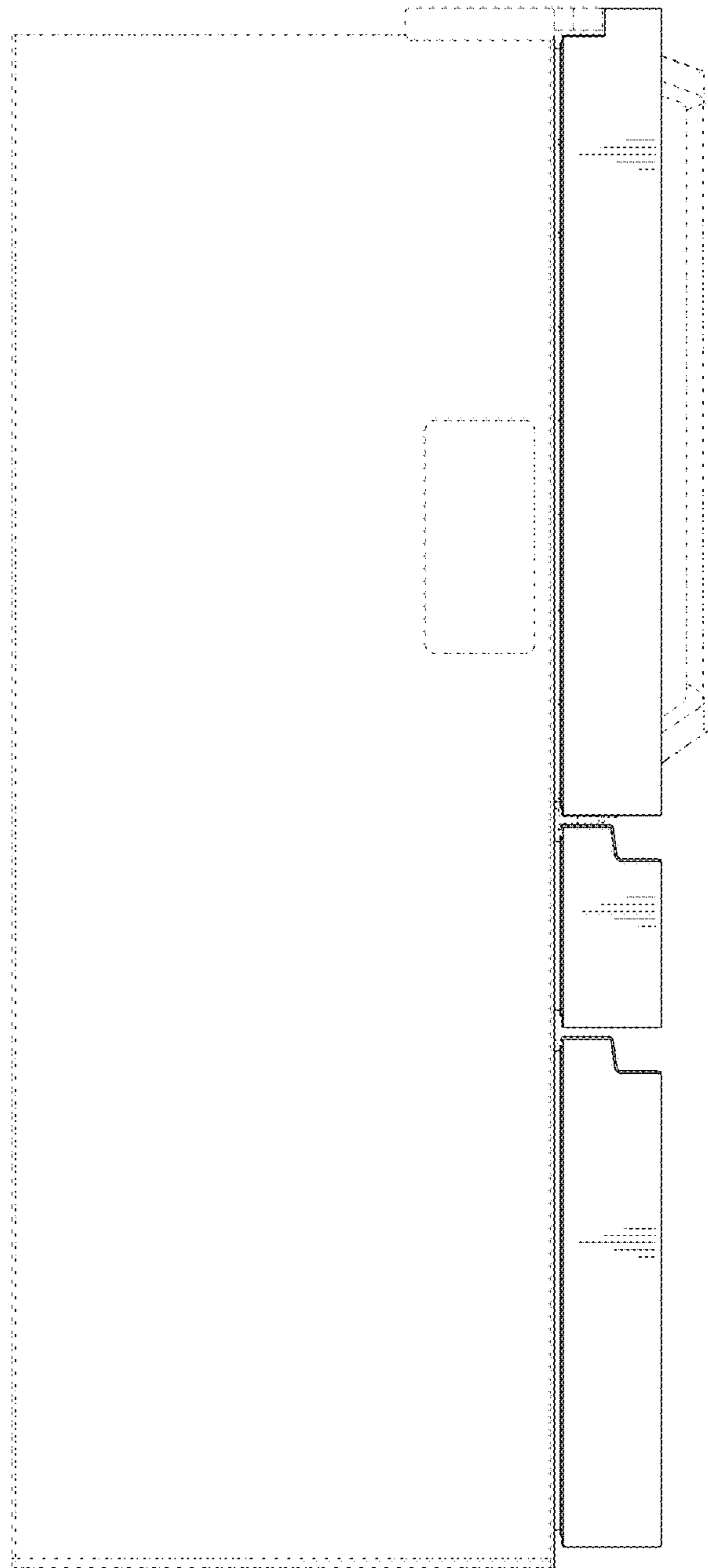


FIG. 5

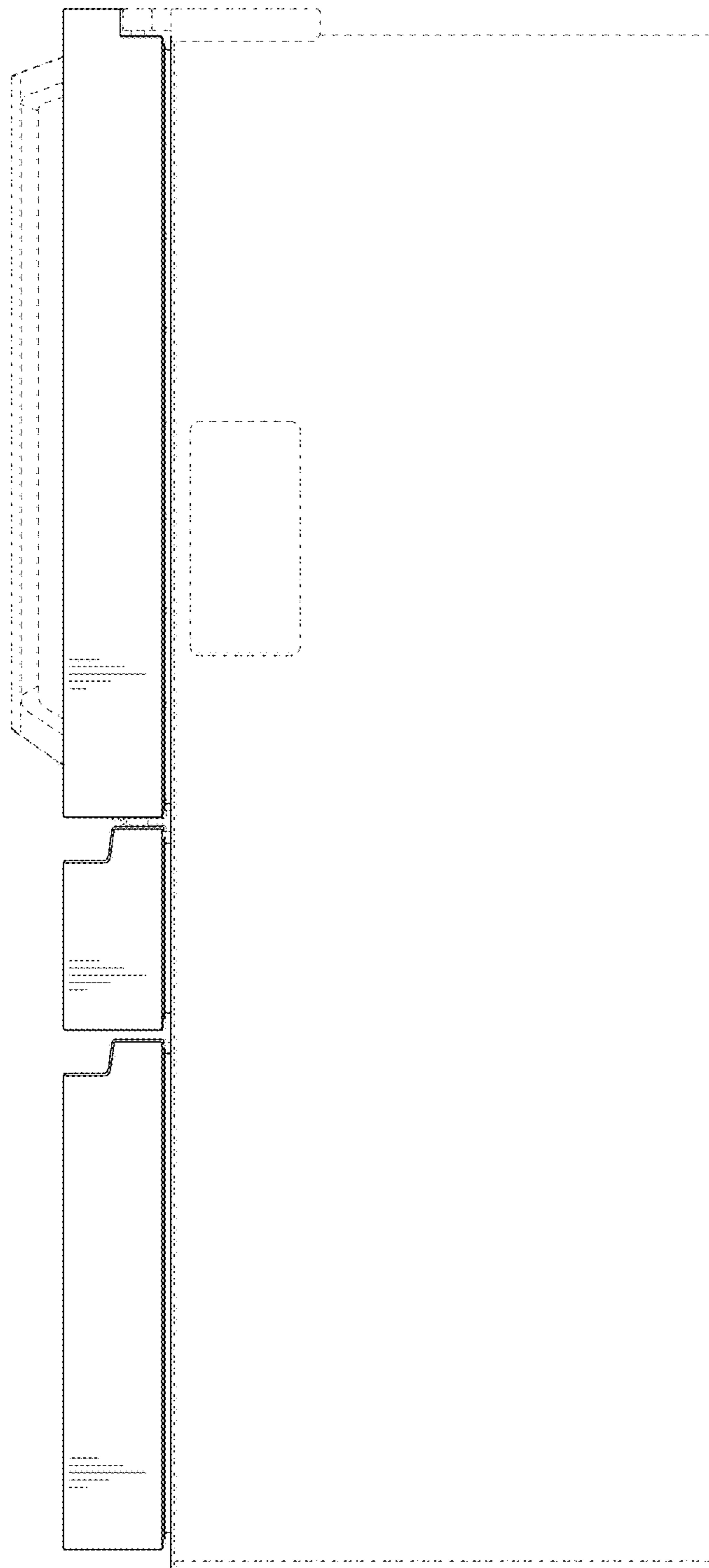


FIG. 6

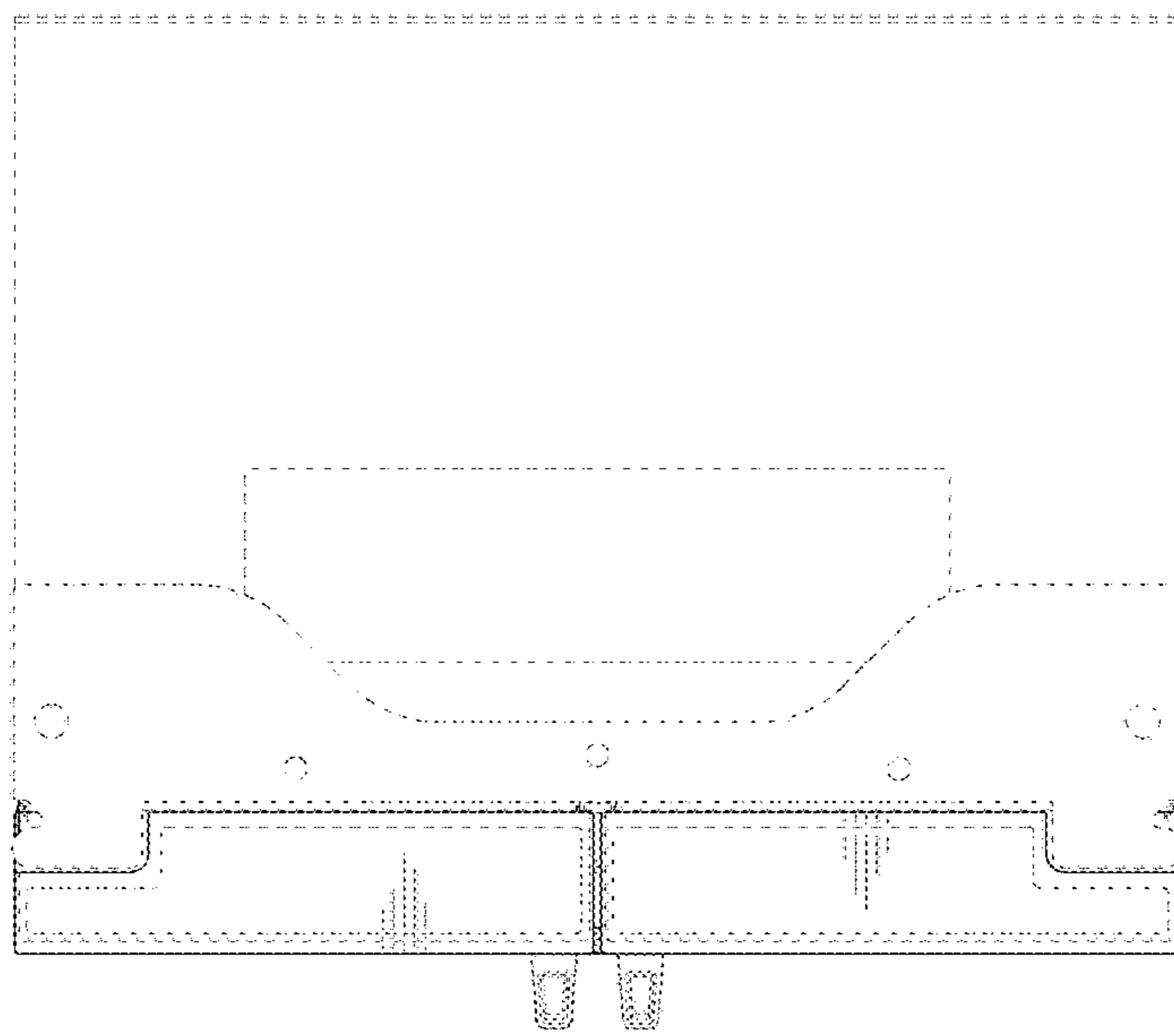


FIG. 7

