



US00D841059S

(12) **United States Design Patent**  
**Carpenter et al.**

(10) **Patent No.:** **US D841,059 S**

(45) **Date of Patent:** **\*\* Feb. 19, 2019**

(54) **DOOR BIN**

(71) Applicant: **WHIRLPOOL CORPORATION**,  
Benton Harbor, MI (US)

(72) Inventors: **Christopher L. Carpenter**, Pearisburg,  
VA (US); **Daniel H. Quinlan**,  
Stevensville, MI (US); **Todd J. Tunzi**,  
St. Joseph, MI (US); **Yifan Wang**, St.  
Joseph, MI (US)

(73) Assignee: **Whirlpool Corporation**, Benton  
Harbor, MI (US)

(\*\*) Term: **15 Years**

(21) Appl. No.: **29/584,126**

(22) Filed: **Nov. 11, 2016**

(51) **LOC (11) Cl.** ..... **15-07**

(52) **U.S. Cl.**  
USPC ..... **D15/89**

(58) **Field of Classification Search**  
USPC ..... D15/79-91; D5/4, 7, 41, 43, 53, 55, 56,  
D5/57, 58, 59, 60, 62, 63, 99; D6/612,  
D6/617; D19/1, 5; D25/138, 48.8, 157,  
D25/151; D23/261, 269, 267;  
D7/339-349

CPC ..... F25D 21/14; F25D 23/028; F25D 11/00;  
F25D 11/022; F25D 17/04; F25D 17/06;  
F25D 21/00; F25D 2317/061; F25D  
2321/1413; F25D 2323/02; F25D  
2323/121; F25D 23/006; F25D 2400/361;  
F25D 29/005

See application file for complete search history.

(56) **References Cited**

**U.S. PATENT DOCUMENTS**

5,415,472 A 5/1995 Brise et al.  
5,735,589 A 4/1998 Herrmann et al.

D505,140 S 5/2005 Reed et al.  
D516,100 S 2/2006 Vardon et al.  
D516,102 S 2/2006 Vardon et al.  
D523,034 S 6/2006 Vardon et al.  
D525,633 S 7/2006 Vardon et al.  
D551,262 S 9/2007 Becke  
7,878,344 B2 2/2011 Martin et al.  
D656,970 S 4/2012 Merritt  
D669,506 S 10/2012 Czach et al.  
8,403,438 B2 3/2013 Park et al.  
D692,034 S 10/2013 Seo et al.  
D692,735 S \* 11/2013 Haggard ..... D8/1  
D694,288 S 11/2013 Hottmann et al.  
D694,289 S 11/2013 Hottmann et al.  
D694,292 S 11/2013 Eby et al.

(Continued)

**FOREIGN PATENT DOCUMENTS**

CN 101611281 A 12/2009  
CN 201779952 U 3/2011

(Continued)

*Primary Examiner* — Ian Simmons

*Assistant Examiner* — Khawaja Anwar

(74) *Attorney, Agent, or Firm* — Price Heneveld LLP

(57) **CLAIM**

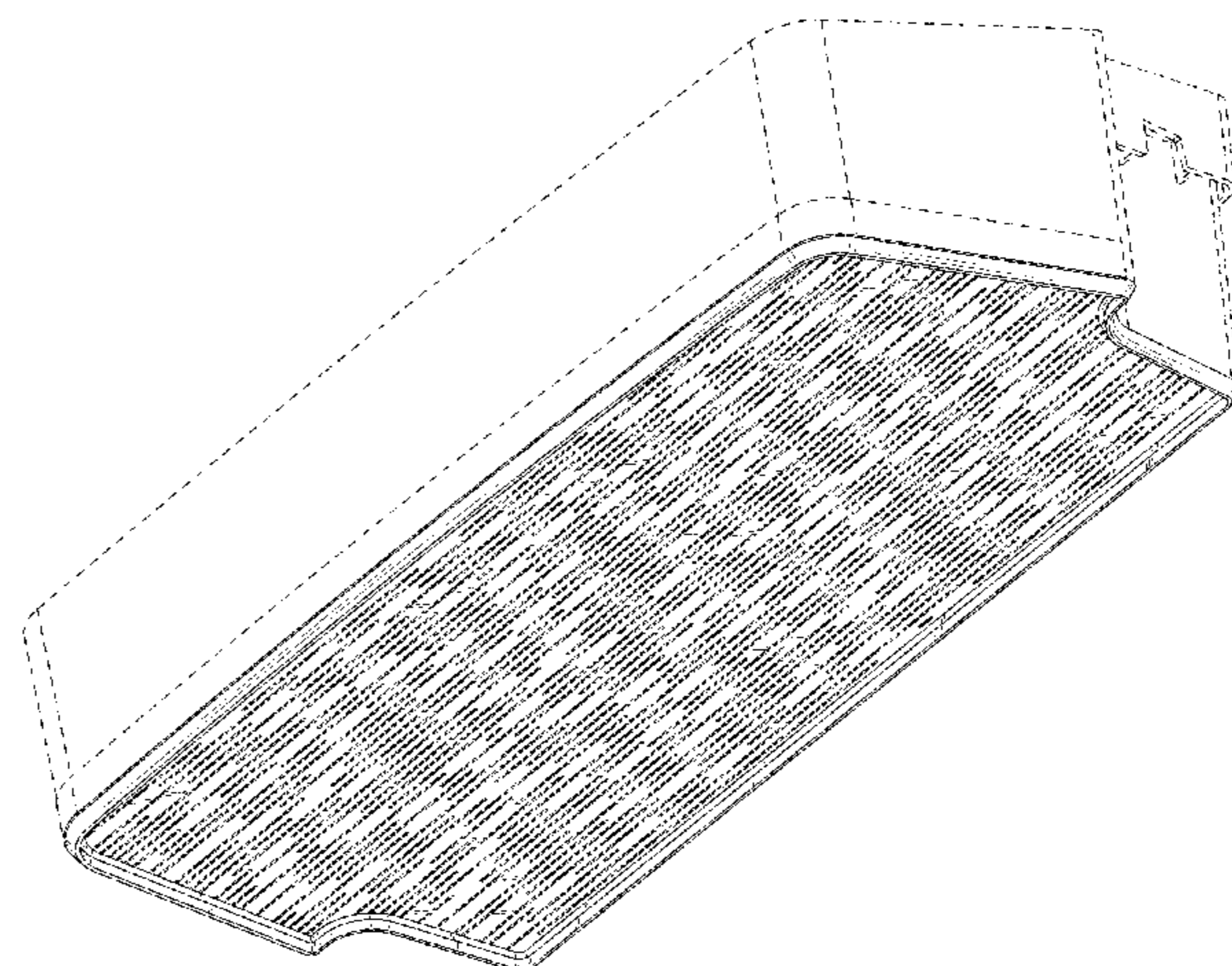
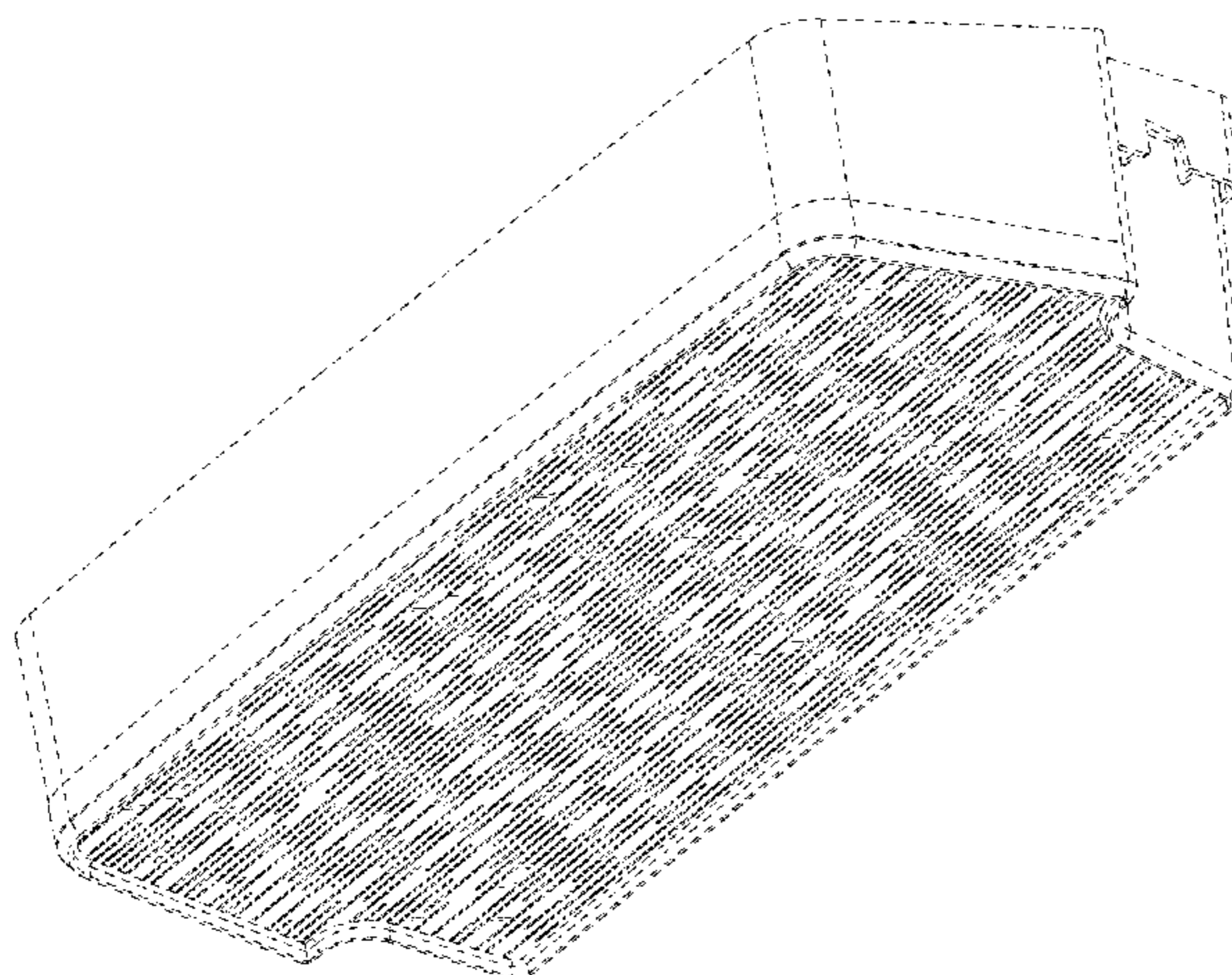
The ornamental design for a door bin, as shown and described.

**DESCRIPTION**

FIG. 1 is a front bottom perspective view of the first embodiment of a door bin, showing our new design; FIG. 2 is a rear bottom perspective view thereof; FIG. 3 is a bottom plan view thereof; FIG. 4 is a front bottom perspective view of the second embodiment of a door bin, showing our new design; FIG. 5 is a rear bottom perspective view thereof; and, FIG. 6 is a bottom plan view thereof.

The broken lines depict portions of the article that form no part of the claimed design.

**1 Claim, 6 Drawing Sheets**



(56)

**References Cited**

U.S. PATENT DOCUMENTS

D694,863 S \* 12/2013 Brodey ..... D23/261  
 D707,267 S 6/2014 Choi et al.  
 D709,927 S 7/2014 Park et al.  
 8,777,341 B2 7/2014 Amaral et al.  
 D710,405 S 8/2014 Seo et al.  
 D710,406 S 8/2014 Seo et al.  
 D711,943 S 8/2014 Park et al.  
 D714,840 S 10/2014 Yang et al.  
 D717,349 S 11/2014 Seo et al.  
 D719,986 S 12/2014 Kim et al.  
 D725,916 S \* 4/2015 Haverfield ..... D5/60  
 D728,245 S \* 5/2015 Haverfield ..... D5/60  
 D734,784 S 7/2015 Kim et al.  
 D742,483 S \* 11/2015 Chapman ..... D23/261  
 D745,581 S 12/2015 Jeon et al.  
 D747,369 S 1/2016 McConnell et al.  
 D747,370 S 1/2016 Kim et al.  
 D747,371 S 1/2016 Lee et al.  
 D747,372 S 1/2016 Kim et al.  
 D747,373 S 1/2016 Lee et al.  
 D748,165 S 1/2016 McConnell et al.  
 D754,759 S 4/2016 McConnell et al.  
 D756,551 S 5/2016 Handt et al.  
 D759,218 S \* 6/2016 Young ..... D23/269  
 D761,884 S 7/2016 Austin et al.  
 D767,324 S \* 9/2016 Funnell, II ..... D7/345  
 D774,117 S 12/2016 Wingerter et al.  
 D789,513 S \* 6/2017 Nilssen ..... D23/415  
 D789,697 S \* 6/2017 Cobler ..... D5/56  
 D804,854 S \* 12/2017 Bunnell ..... D6/606

D804,889 S \* 12/2017 Funnell, II ..... D7/346  
 D809,164 S \* 1/2018 Huang ..... D25/157  
 D810,518 S \* 2/2018 Miller ..... D7/667  
 D812,425 S \* 3/2018 Reischmann ..... D7/409  
 D815,491 S \* 4/2018 Hollinger ..... D7/409  
 D825,202 S \* 8/2018 Stephani ..... D5/62  
 2003/0020387 A1 1/2003 Wing et al.  
 2005/0172948 A1\* 8/2005 Rowe ..... A47J 37/067  
 126/20  
 2008/0154169 A1\* 6/2008 Kase ..... A61F 13/023  
 602/55  
 2010/0102693 A1 4/2010 Driver et al.  
 2011/0001415 A1 1/2011 Park et al.  
 2011/0115356 A1 5/2011 Nash et al.  
 2012/0091084 A1 4/2012 Amaral et al.  
 2012/0223038 A1 9/2012 Bean  
 2013/0020922 A1 1/2013 Jang

FOREIGN PATENT DOCUMENTS

CN 102395849 A 3/2012  
 CN 102494496 A 6/2012  
 CN 102135363 B 12/2012  
 CN 102829604 A 12/2012  
 CN 102889744 A 1/2013  
 EP 577939 A1 10/1997  
 JP 2002090054 A 3/2002  
 KR 20030061668 A 7/2003  
 KR 100756887 B1 9/2007  
 WO 2008015180 A2 2/2008  
 WO 2009155679 A2 12/2009

\* cited by examiner

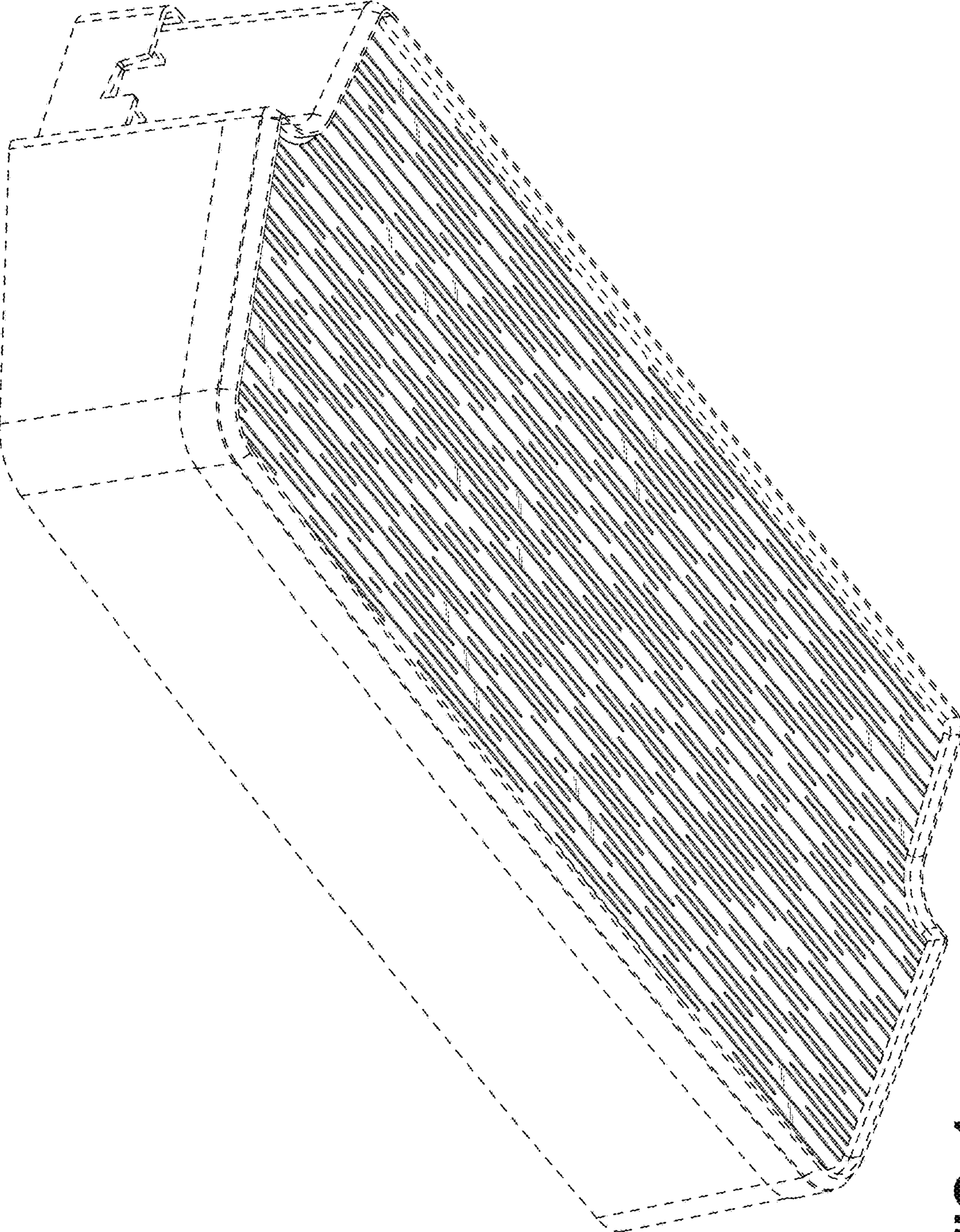


FIG. 1

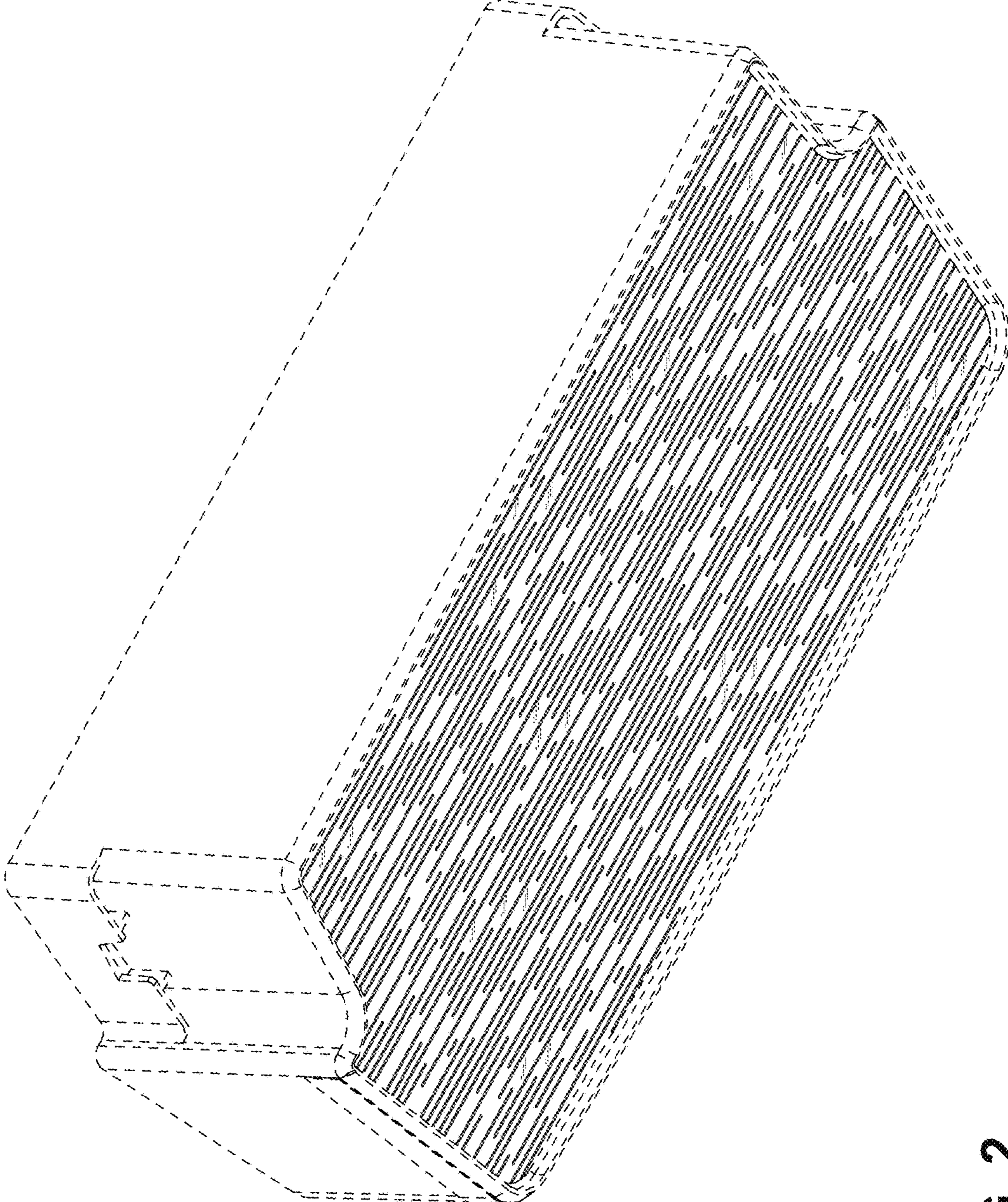


FIG. 2

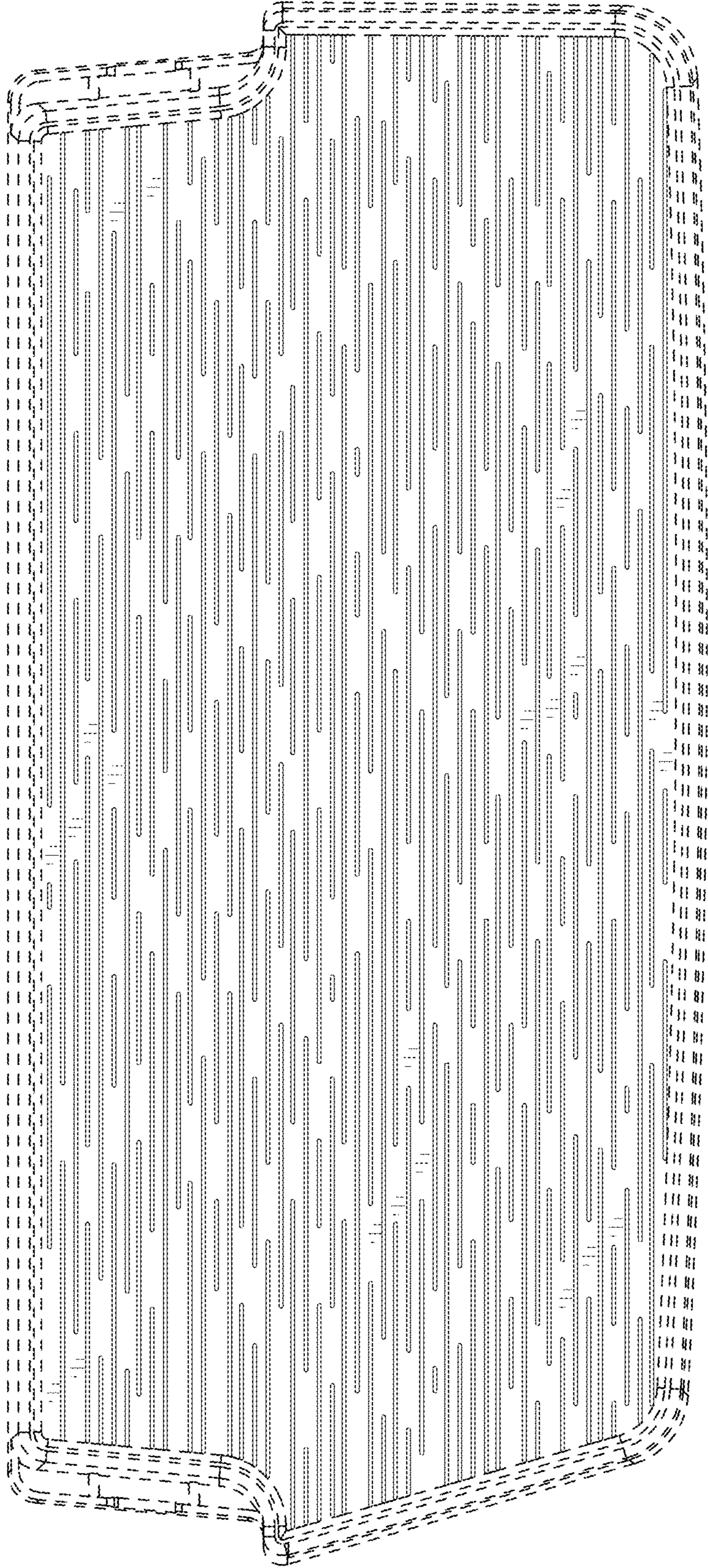


FIG. 3

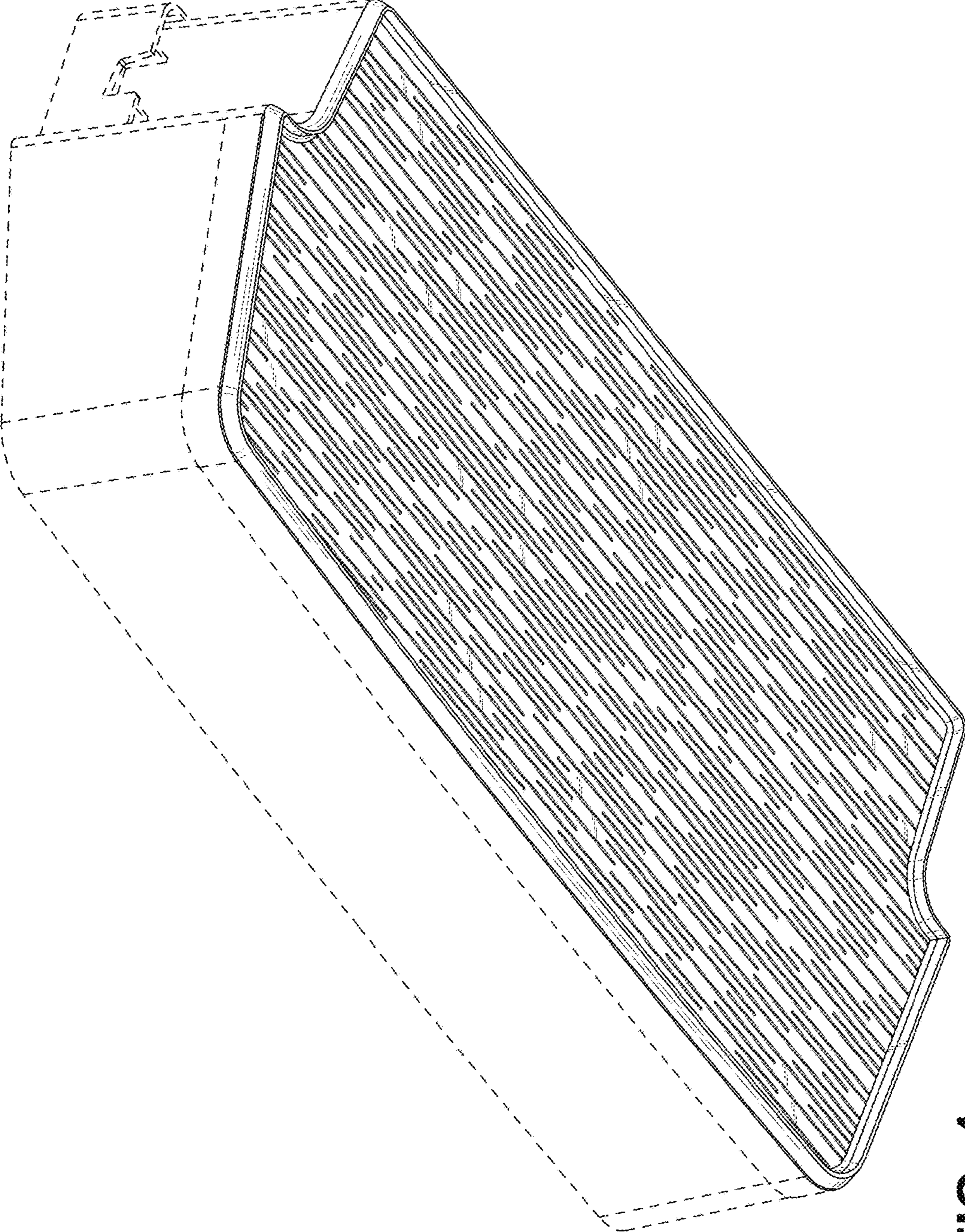


FIG. 4

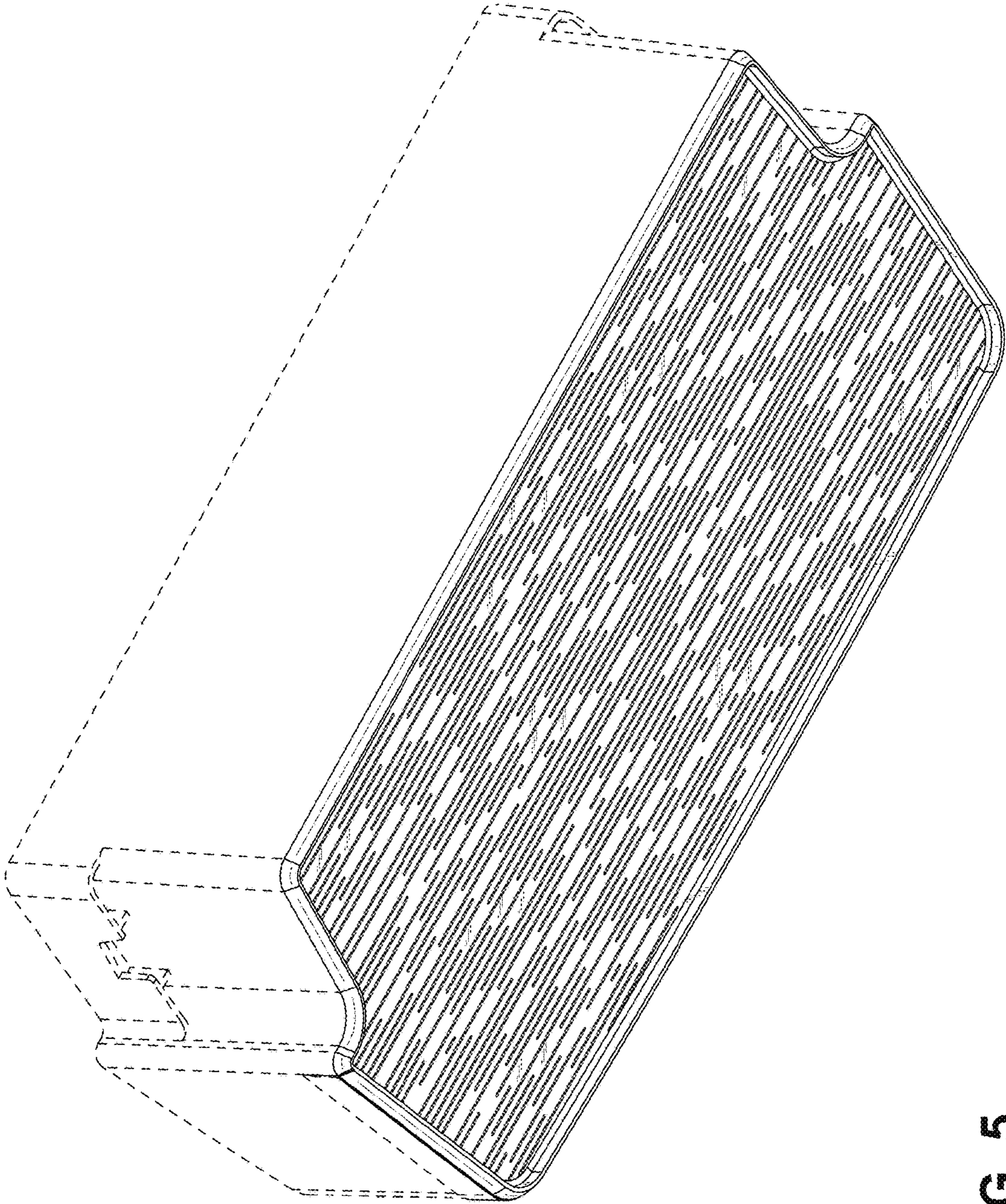


FIG. 5

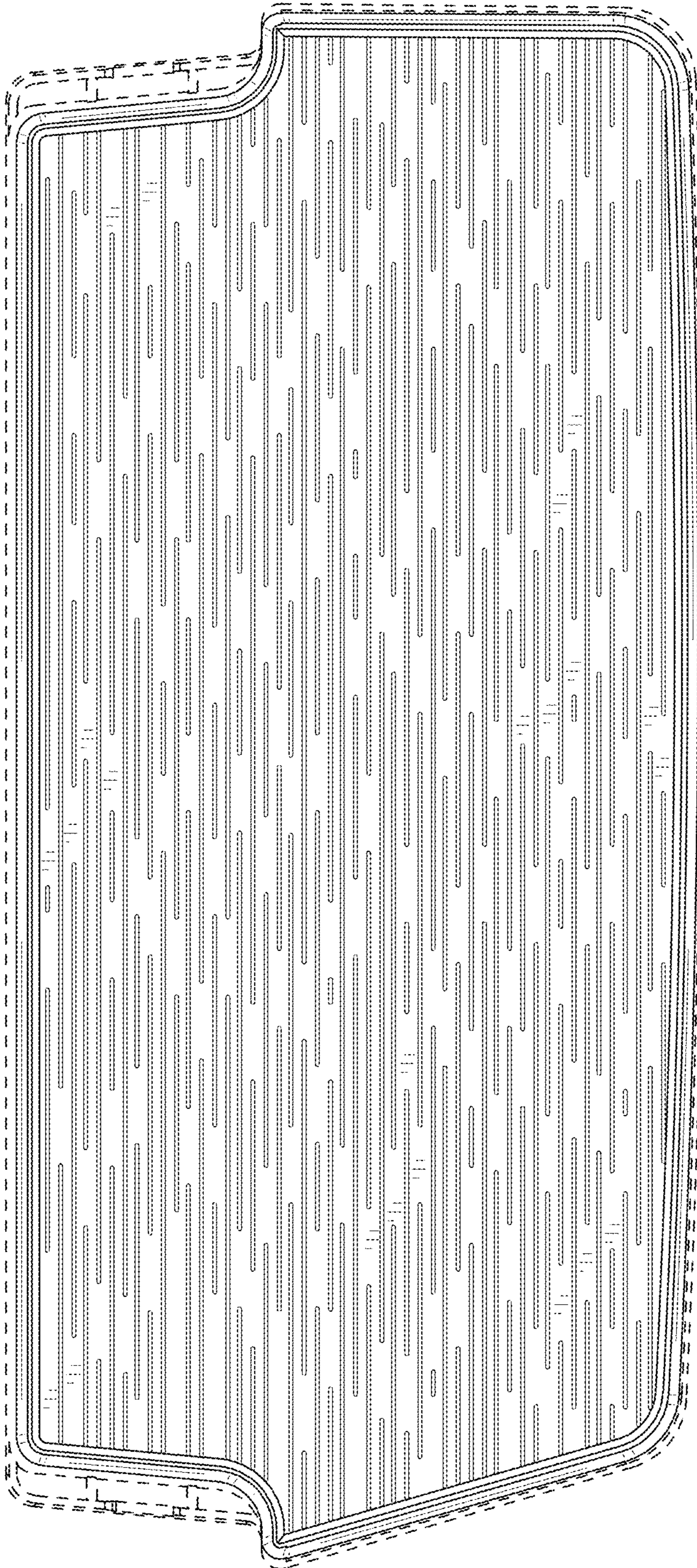


FIG. 6