



US00D841056S

(12) **United States Design Patent**  
**Roach et al.**

(10) **Patent No.:** **US D841,056 S**  
(45) **Date of Patent:** **\*\* Feb. 19, 2019**

(54) **AGRICULTURAL PRODUCT SKID FOR PRODUCT APPLICATOR**  
(71) Applicant: **CNH Industrial America LLC**, New Holland, PA (US)  
(72) Inventors: **William A. Roach**, Lake Lillian, MN (US); **Rex L. Ruppert**, Benson, MN (US); **John Paul Honermann**, Benson, MN (US)

(73) Assignee: **CNH Industrial America LLC**, New Holland, PA (US)

(\*\*) Term: **15 Years**

(21) Appl. No.: **29/622,060**

(22) Filed: **Oct. 13, 2017**

(51) **LOC (11) Cl.** ..... **15-03**

(52) **U.S. Cl.**  
USPC ..... **D15/33; D15/21**

(58) **Field of Classification Search**  
USPC ..... D15/10, 17, 21, 28, 33  
CPC ..... A01C 23/00; A01C 23/02; B65D 90/12; B65D 90/00; A01M 7/0082  
See application file for complete search history.

(56) **References Cited**

**U.S. PATENT DOCUMENTS**

D156,362 S *	12/1949	Mork	.....	D15/33
2,857,863 A *	10/1958	Essen	.....	A01C 23/023 111/119
D201,980 S *	8/1965	Kane	.....	D15/33
3,650,501 A *	3/1972	Streb	.....	B65D 90/12 220/1.5
3,815,830 A *	6/1974	Rowan	.....	A01C 23/006 239/163
3,857,576 A *	12/1974	Wilt	.....	A01M 7/0085 239/172
3,883,020 A *	5/1975	Dehn	.....	B60P 1/003 224/403

4,162,796 A *	7/1979	Mead	.....	B62D 49/02 280/400
4,351,535 A *	9/1982	Mead	.....	A01M 7/0085 224/410
4,813,604 A *	3/1989	Curran, Jr.	.....	A01M 7/0042 239/163
8,091,799 B2 *	1/2012	Honermann	.....	A01B 73/02 239/165
8,777,125 B2 *	7/2014	Honermann	.....	A01M 7/0082 137/343

(Continued)

*Primary Examiner* — Mark A Goodwin

(74) *Attorney, Agent, or Firm* — Rebecca L. Henkel;  
Rickard K. DeMille

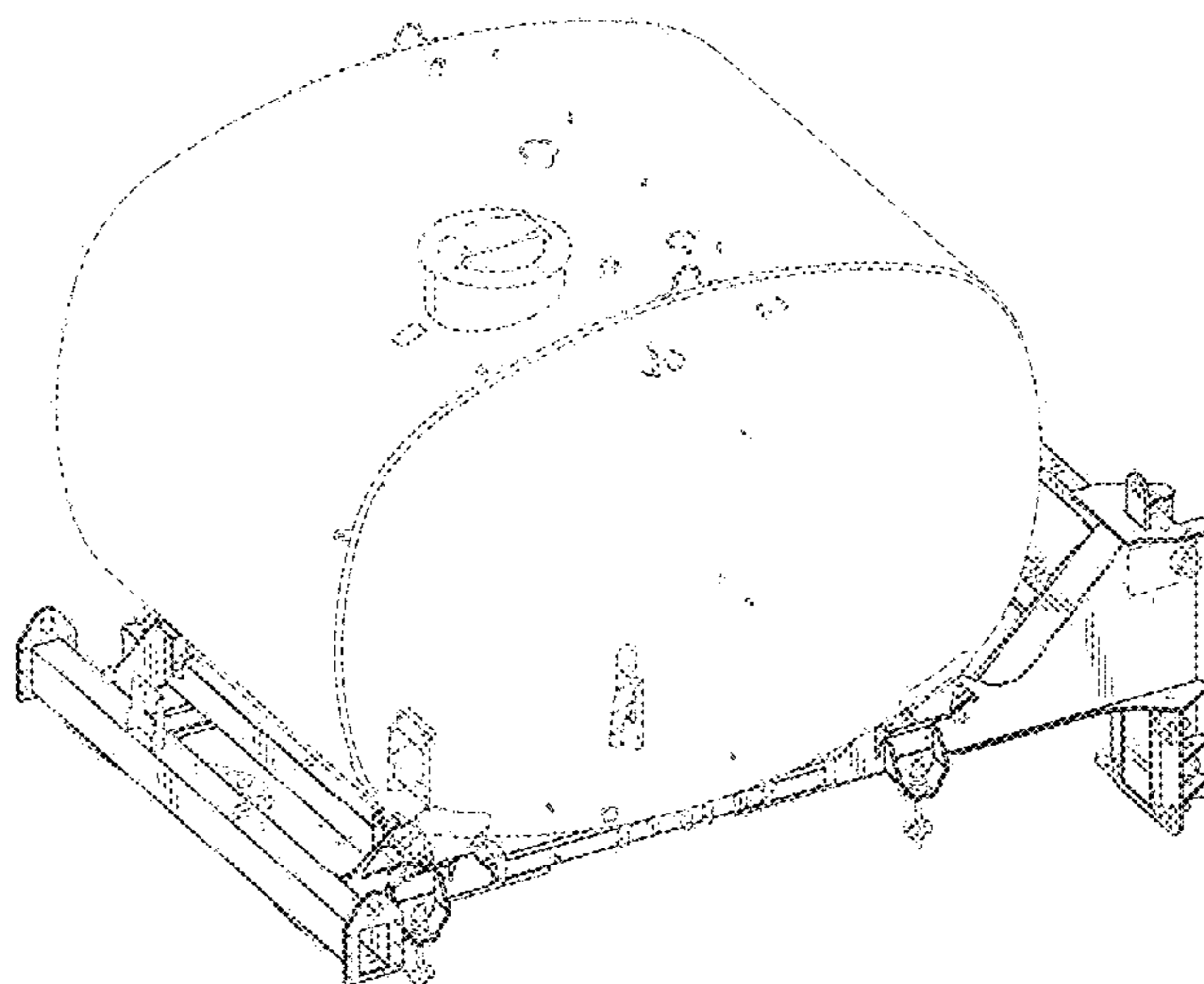
(57) **CLAIM**

The ornamental design for an agricultural product skid for product applicator, as shown and described.

**DESCRIPTION**

FIG. 1 is an isometric view of an agricultural product skid for product applicator in accordance with the present invention;  
FIG. 2 is a side elevation of a first side of the agricultural product skid for product applicator of FIG. 1;  
FIG. 3 is a side elevation of a second side of the agricultural product skid for product applicator of FIG. 1;  
FIG. 4 is a front elevation of the agricultural product skid for product applicator of FIG. 1;  
FIG. 5 is a rear elevation of the agricultural product skid for product applicator of FIG. 1;  
FIG. 6 is a top plan view of the agricultural product skid for product applicator of FIG. 1; and,  
FIG. 7 is a bottom plan view of the agricultural product skid for product applicator of FIG. 1.  
The broken line showing of a product applicator tank is included for the purpose of illustrating environmental structure only and forms no part of the claimed design.

**1 Claim, 7 Drawing Sheets**



(56)

**References Cited**

U.S. PATENT DOCUMENTS

8,839,999 B2 \* 9/2014 Mulder ..... A01M 7/0085  
224/410

\* cited by examiner

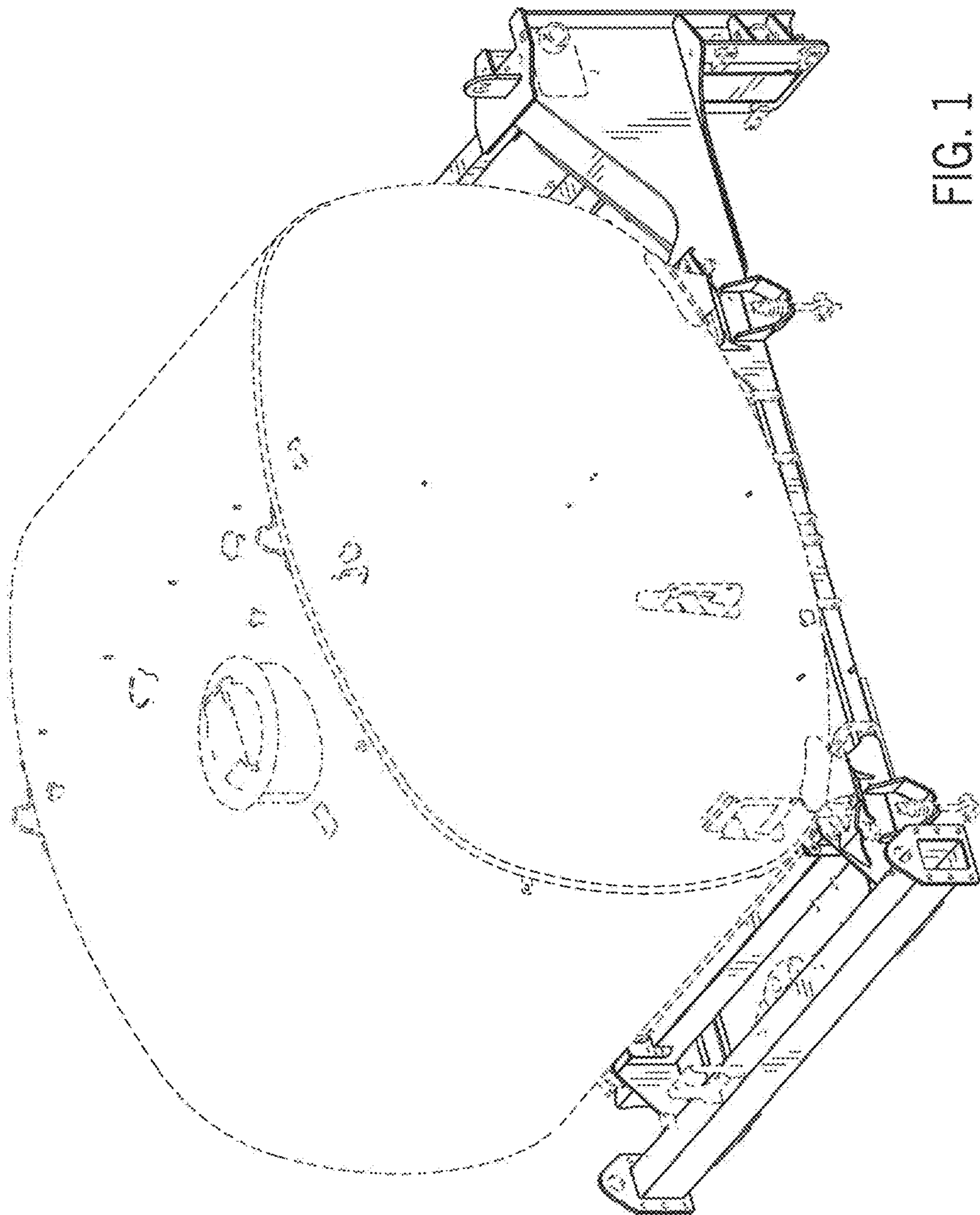


FIG. 1

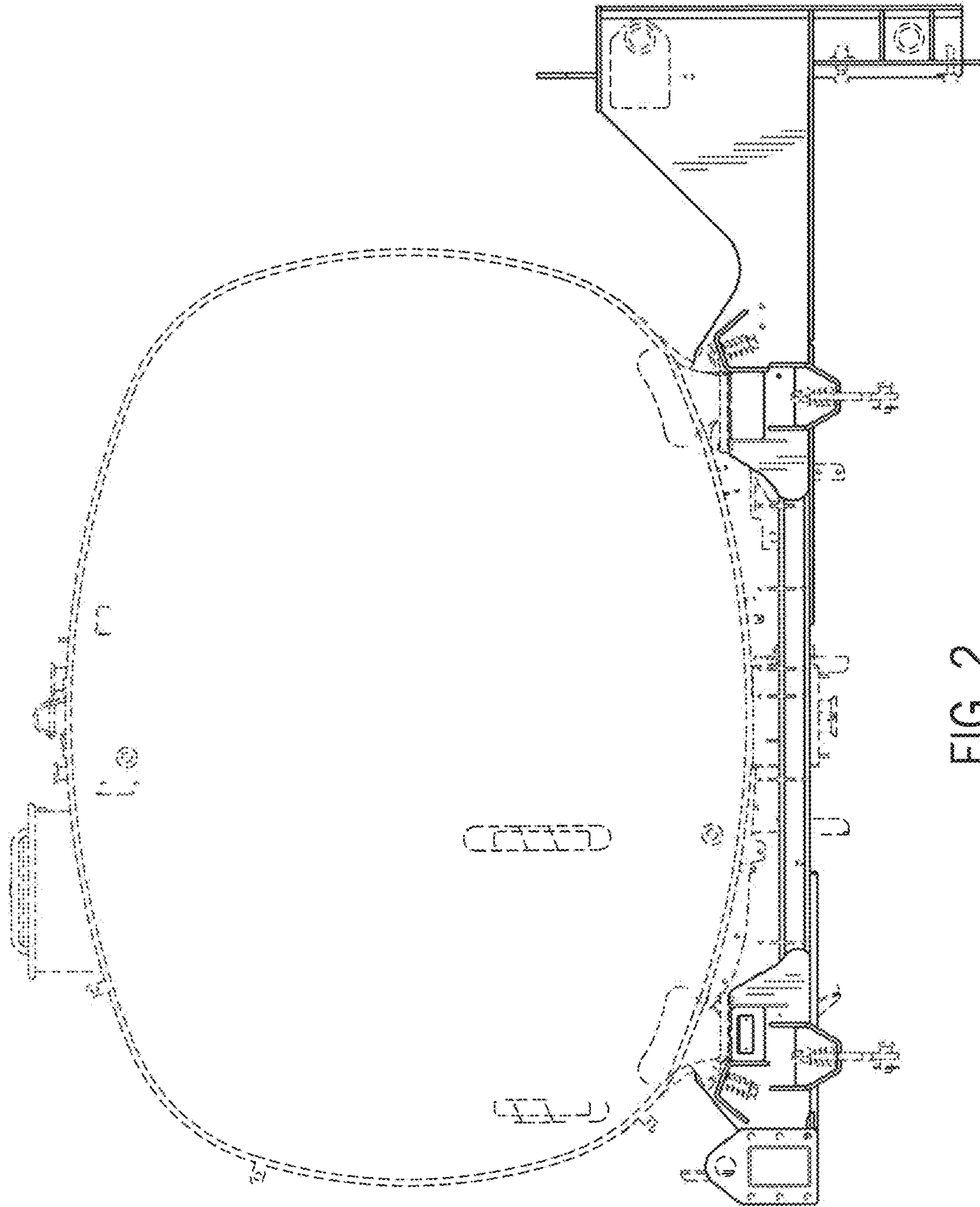


FIG. 2

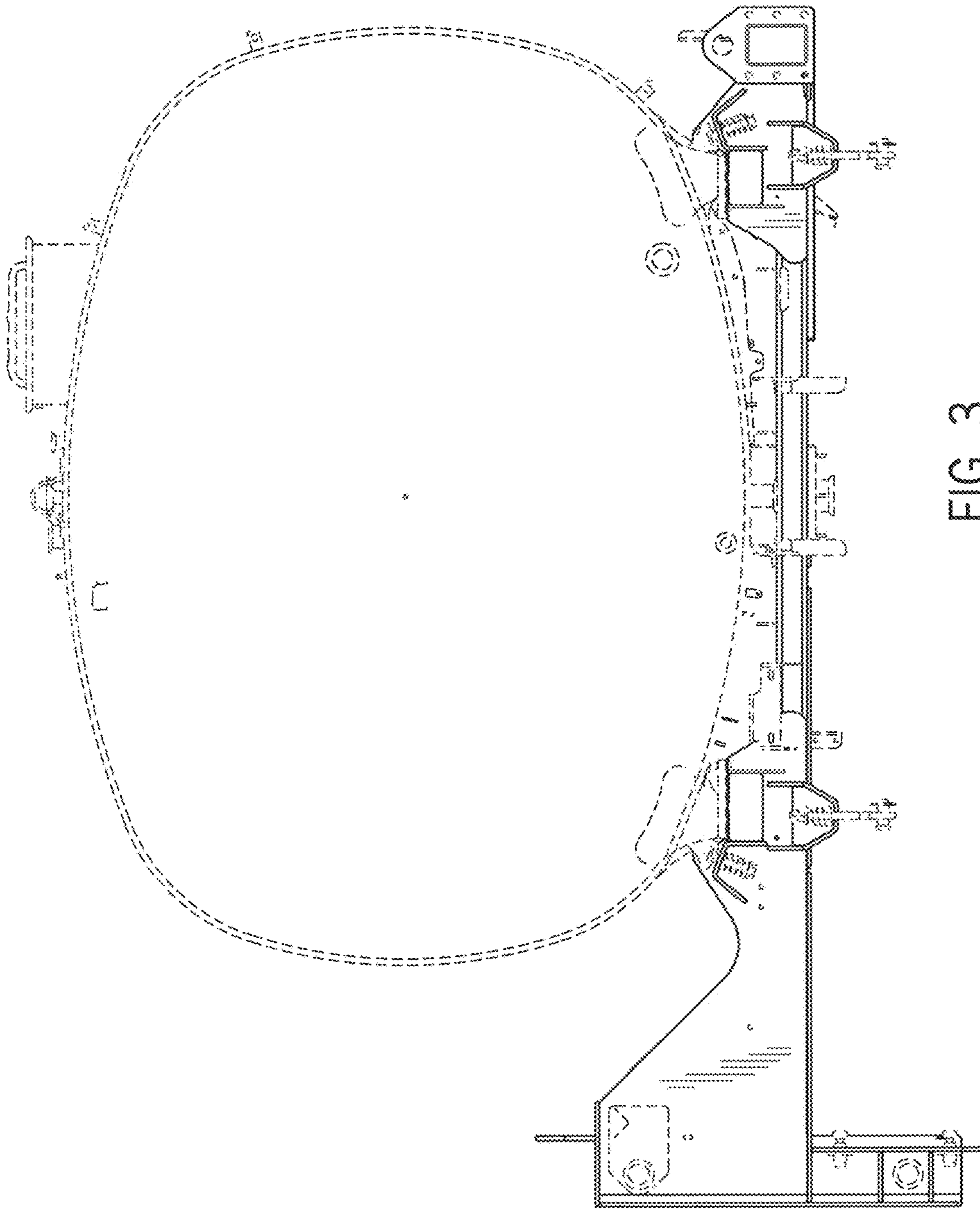


FIG. 3

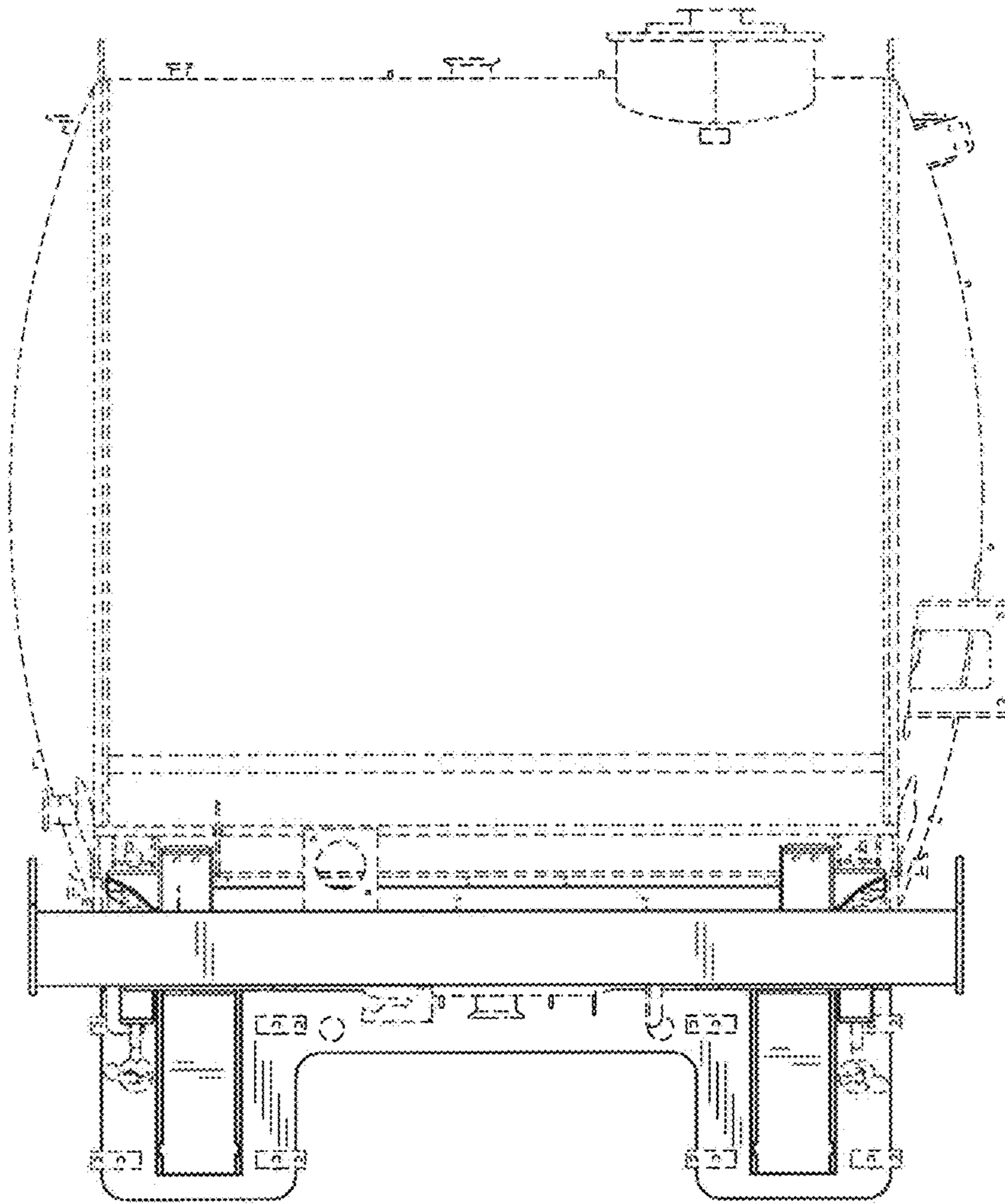


FIG. 4

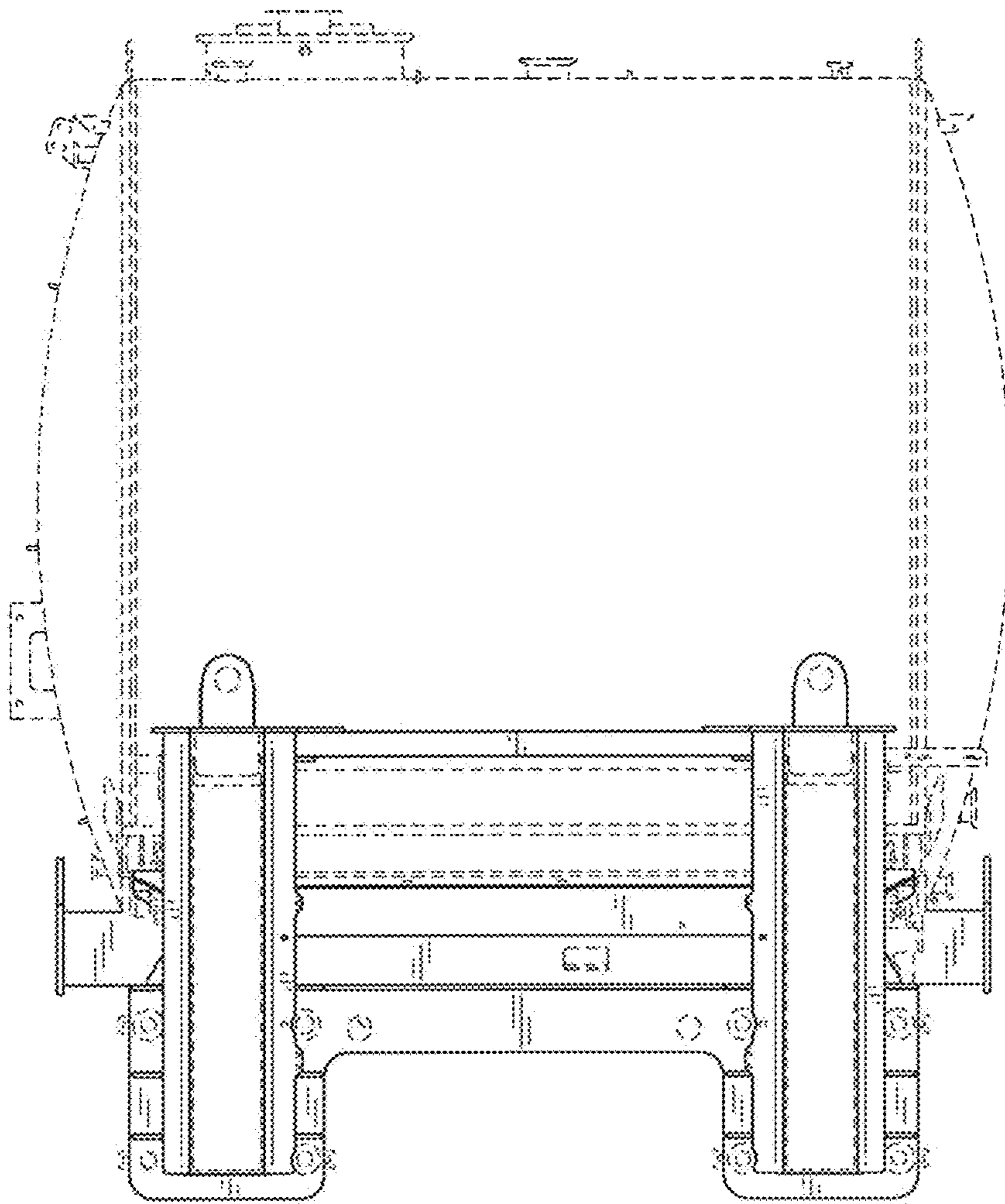


FIG. 5

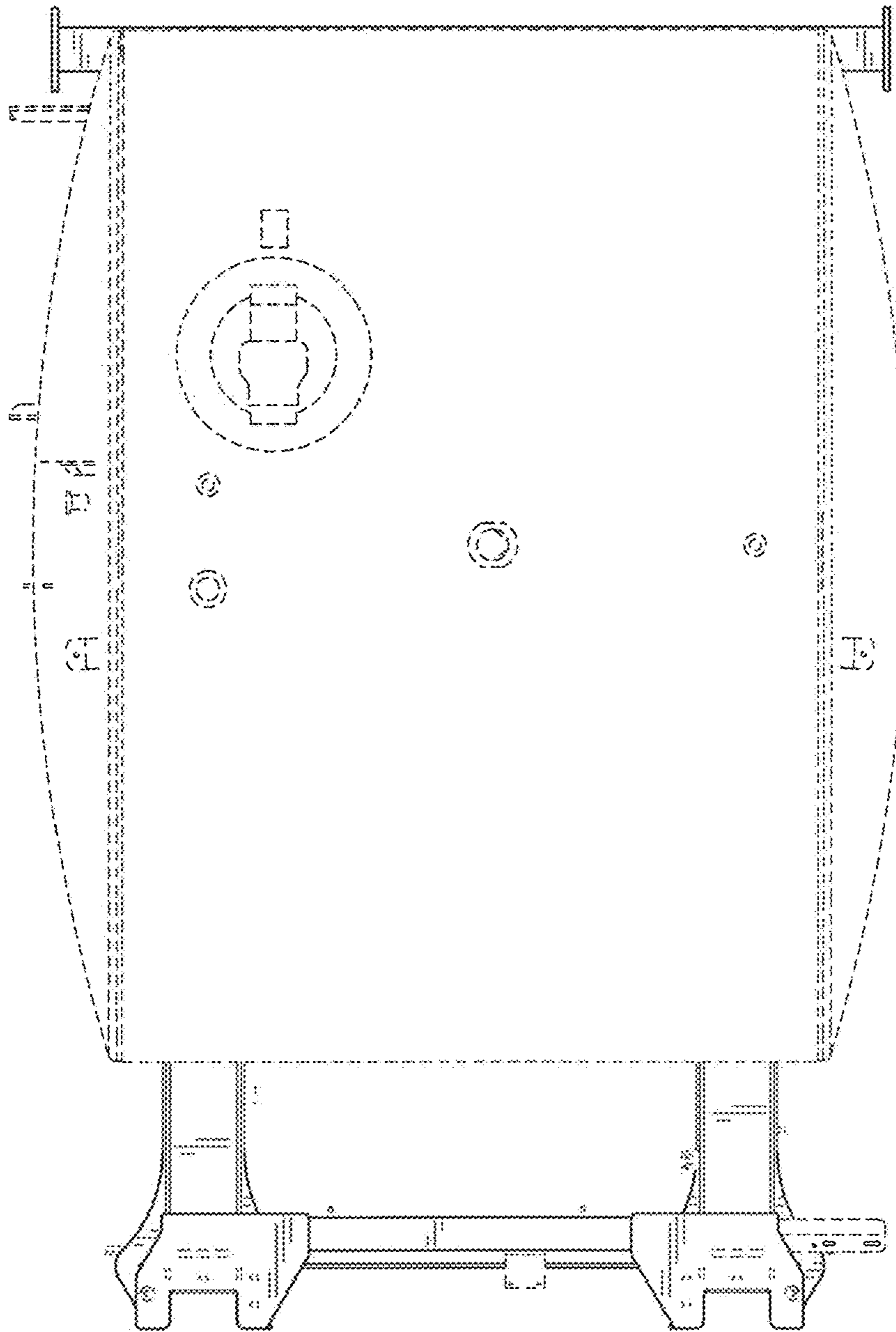


FIG. 6



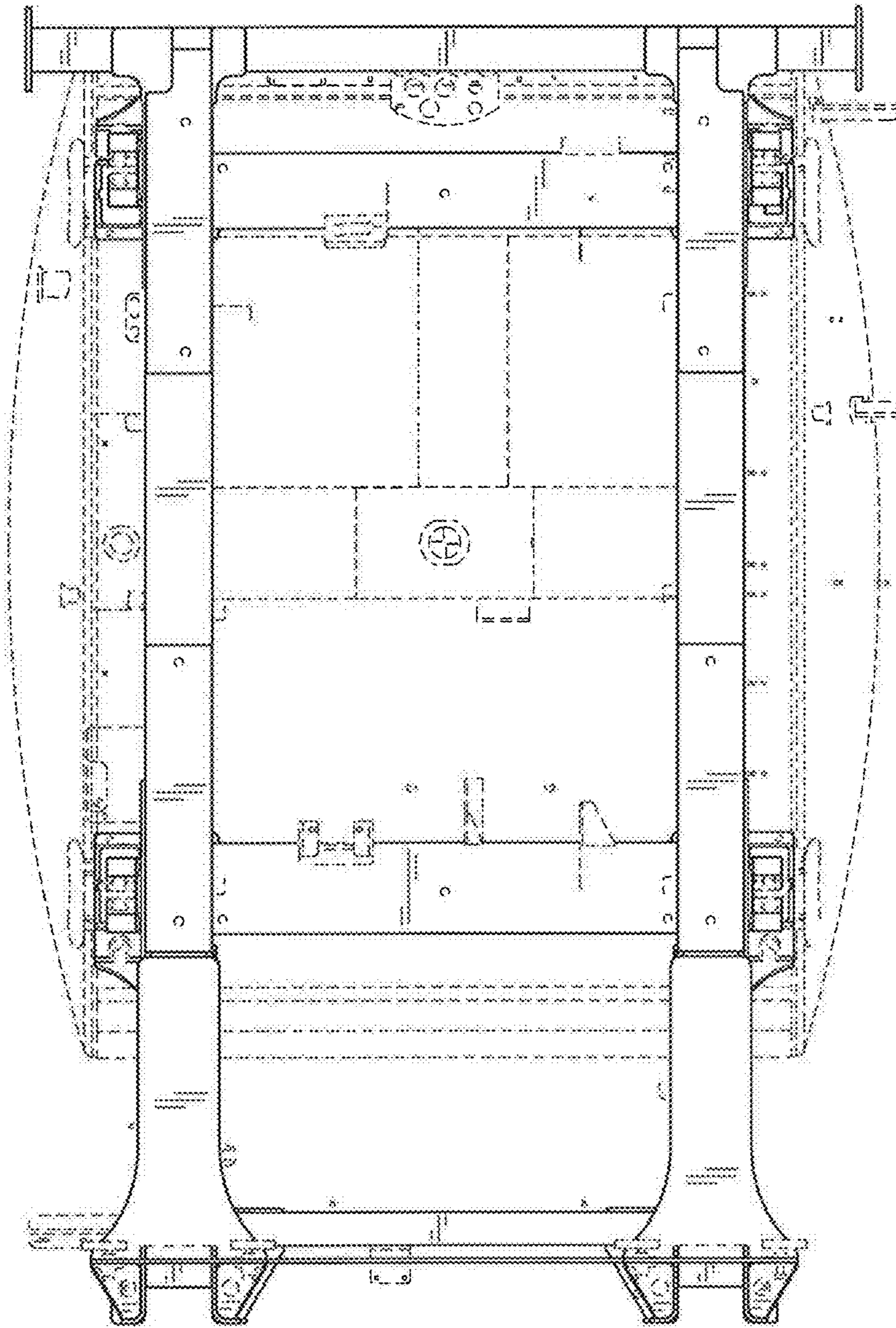


FIG. 7