



US00D841055S

(12) **United States Design Patent** (10) **Patent No.:** **US D841,055 S**
Khaire et al. (45) **Date of Patent:** **** Feb. 19, 2019**

(54) **RECIPROCATING GAS COMPRESSOR VALVE**

3,701,361 A 10/1972 Bunn et al.
3,913,615 A 10/1975 Cooper et al.
4,130,131 A * 12/1978 Kucenty F04B 39/106
137/512.1

(71) Applicant: **Delaware Capital Formation, Inc.**,
Wilmington, DE (US)

(Continued)

(72) Inventors: **Swapnil S. Khaire**, Knoxville, TN
(US); **Stephen A. Mish**, Wellington, FL
(US)

Primary Examiner — Cynthia Ramirez

Assistant Examiner — Gino Colan

(74) *Attorney, Agent, or Firm* — Nielsen IP Law LLC

(73) Assignee: **Delaware Capital Formation, Inc.**,
Wilmington, DE (US)

(57) **CLAIM**

The ornamental design for a reciprocating gas compressor valve, as shown and described.

(**) Term: **15 Years**

(21) Appl. No.: **29/543,534**

DESCRIPTION

(22) Filed: **Oct. 26, 2015**

(51) **LOC (11) Cl.** **15-02**

(52) **U.S. Cl.**
USPC **D15/9**

(58) **Field of Classification Search**
USPC D23/233, 235, 241, 247, 248, 249;
123/90.15, 188.5, 190.14, 445, 200,
123/90.17, 193.4; 417/273, 411, 564;
D15/5, 9, 9.1, 9.2, 9.3; 29/888.012,
29/890.124, 890.126; 92/187, 208;
137/512.1, 516.11, 327, 329.04, 516.23
CPC F04B 39/1033; F04B 39/1053
See application file for complete search history.

FIG. 1 is an overall perspective view of a reciprocating gas compressor valve showing our new design; FIG. 2 is an overall exploded perspective view thereof; FIG. 3 is an overall top view thereof; FIG. 4 is an overall side elevational view thereof; FIG. 5 is a bottom view thereof; FIG. 6 is a cross-sectional view of the reciprocating gas compressor valve of FIG. 3; FIG. 7 is an overall top view of the seat of the reciprocating gas compressor valve of FIG. 1; FIG. 8 is a side elevational view of the seat thereof; FIG. 9 is a bottom view of the seat thereof; FIG. 10 is a top view of a sealing element that can be used in the reciprocating gas compressor valve of FIG. 1; FIG. 11 is a side view of the sealing element thereof; FIG. 12 is a bottom view of the sealing element thereof; FIG. 13 is an overall top view of the guard of the reciprocating gas compressor valve of FIG. 1; FIG. 14 is a side elevational view of the guard thereof; and, FIG. 15 is a bottom view of the guard thereof.

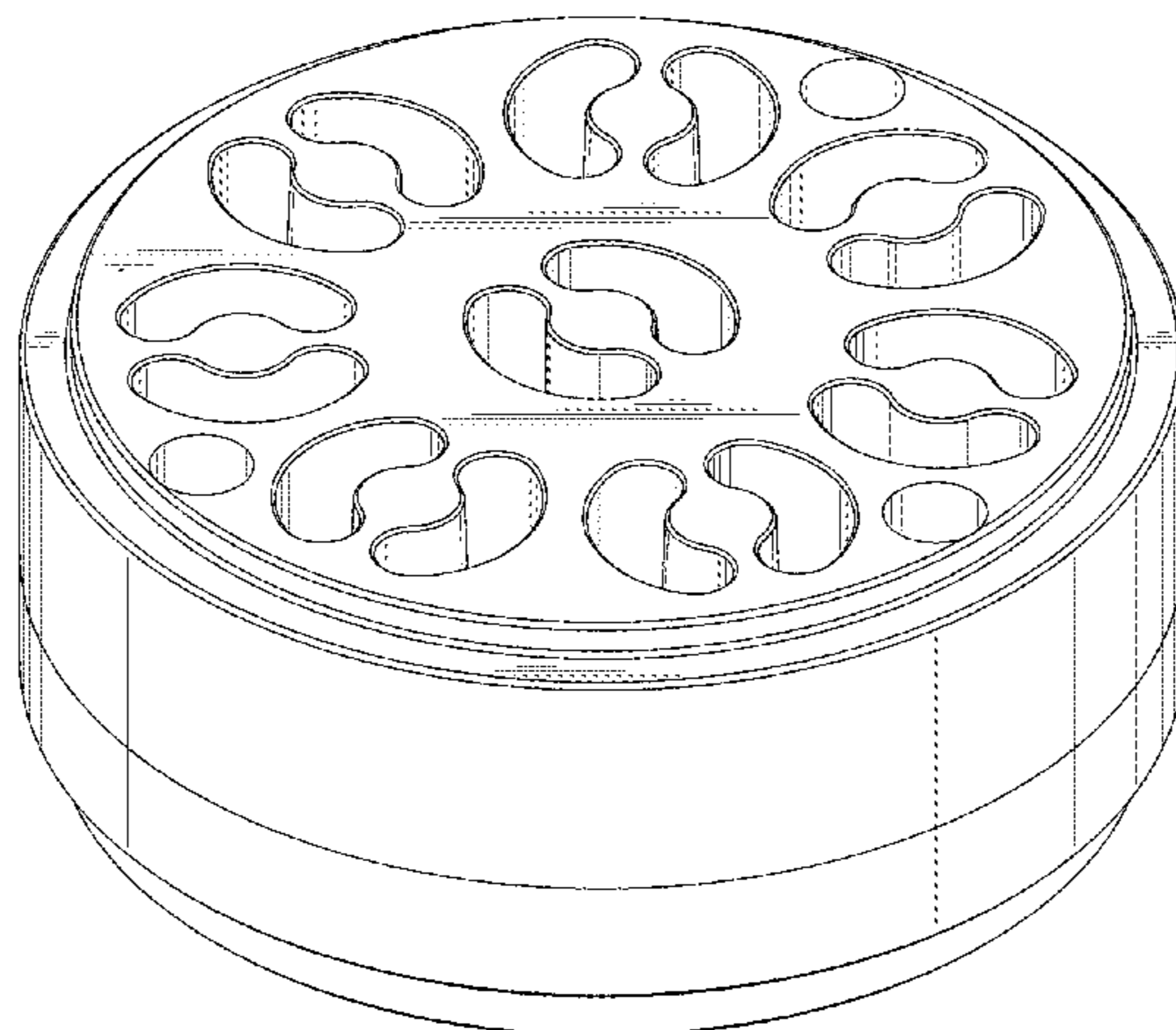
The broken lines in the drawings are included for the purpose of illustrating portions of the reciprocating gas compressor valve and form no part of the claimed design.

(56) **References Cited**

U.S. PATENT DOCUMENTS

1,717,856 A 6/1929 Smith
2,624,587 A 1/1953 Watson et al.
2,904,065 A 9/1959 Butlin
3,148,697 A * 9/1964 Carr F04B 39/1006
137/327
3,244,195 A 4/1966 Wanner
3,332,437 A 7/1967 Hallen
3,536,094 A * 10/1970 Manley, Jr. F04B 39/1033
137/512.1

1 Claim, 11 Drawing Sheets



(56)

References Cited

U.S. PATENT DOCUMENTS

4,483,363 A * 11/1984 Madoche F04B 39/1033
137/329.04
4,819,689 A 4/1989 Owsley et al.
4,872,481 A 10/1989 Shaw et al.
5,511,583 A 4/1996 Bassett
5,678,603 A * 10/1997 Tschop F04B 39/1033
137/512.1
6,234,194 B1 5/2001 Janek et al.
6,581,632 B2 1/2003 Ferrazza et al.
D745,637 S * 12/2015 Penkkimaki D23/233
9,309,878 B2 * 4/2016 Columpsi F16K 15/026
2001/0029981 A1 * 10/2001 Penza F04B 39/1033
137/516.23
2002/0144733 A1 * 10/2002 Artner F04B 39/1053
137/512.1

* cited by examiner

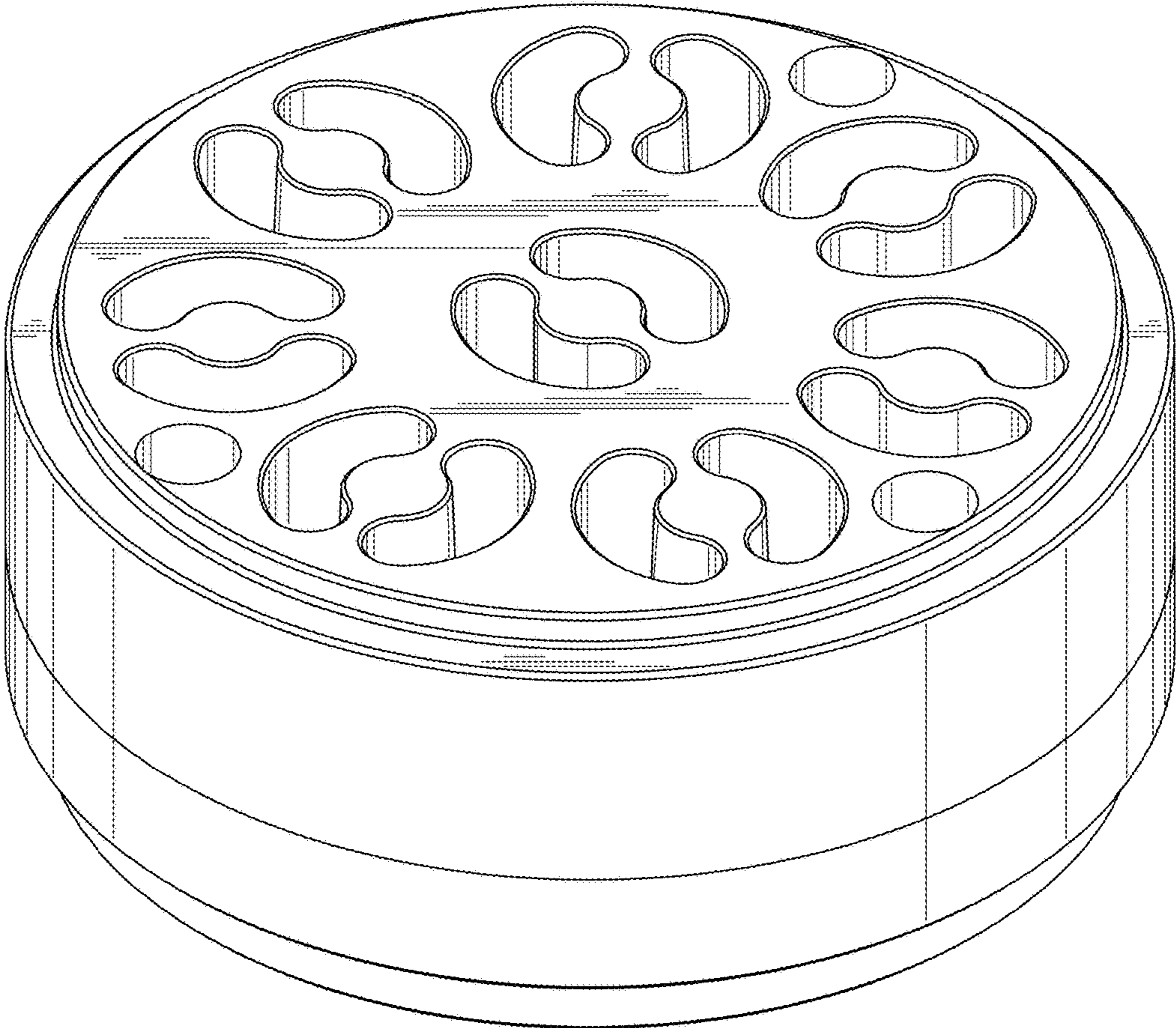
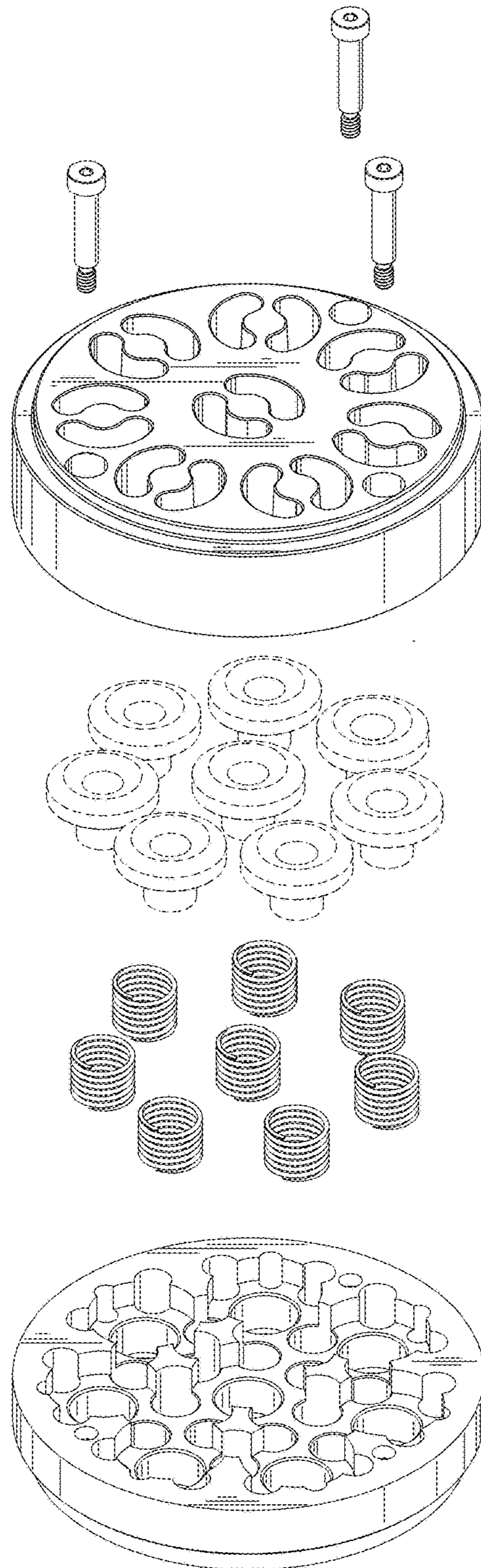


FIG. 1

FIG. 2



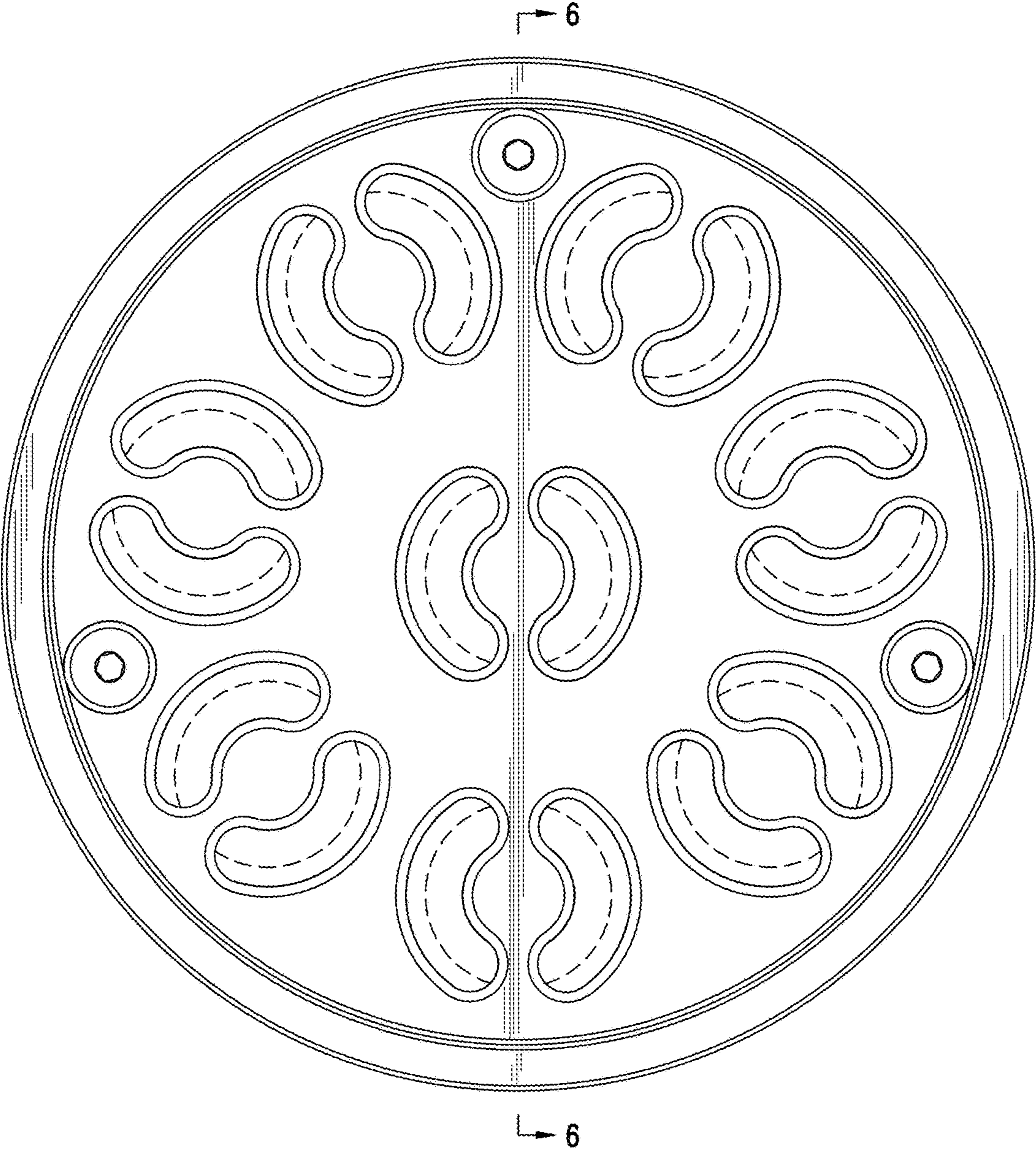


FIG. 3

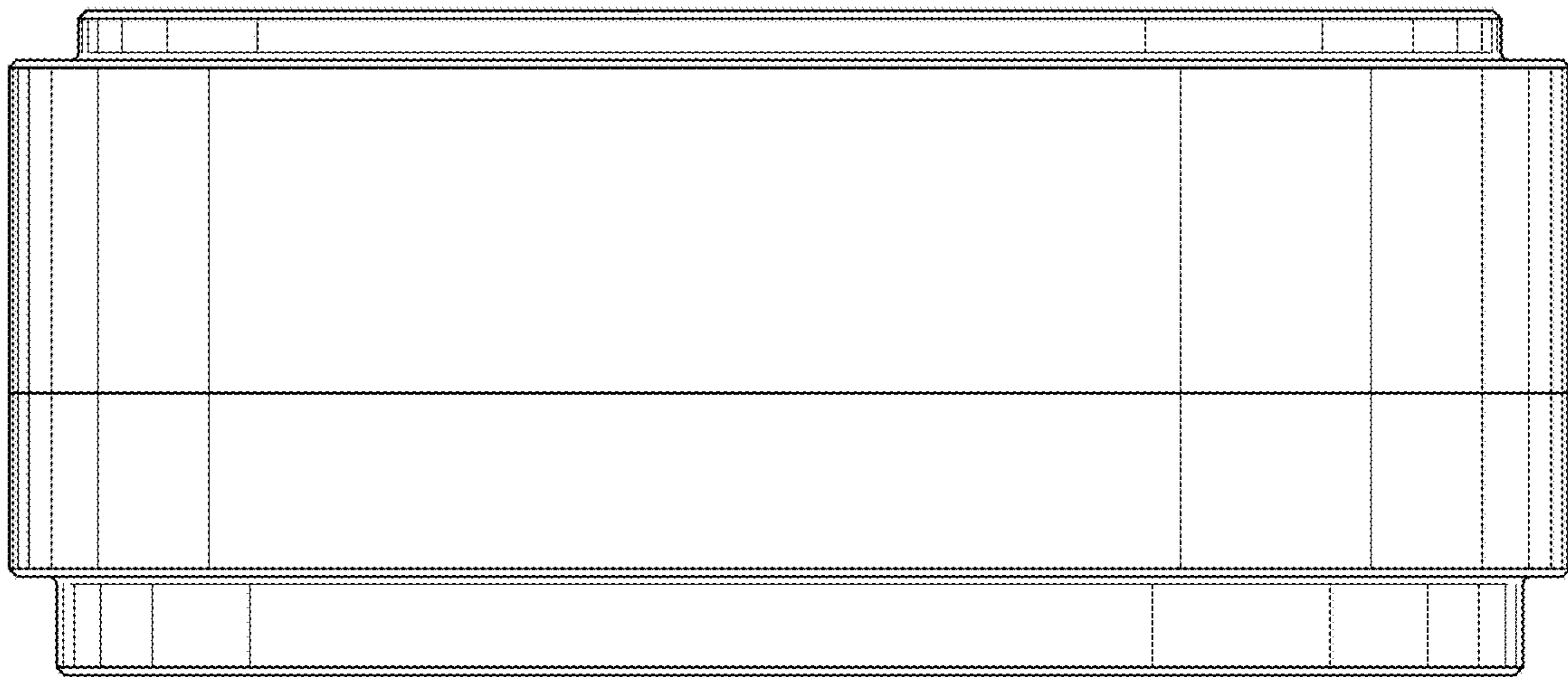


FIG. 4

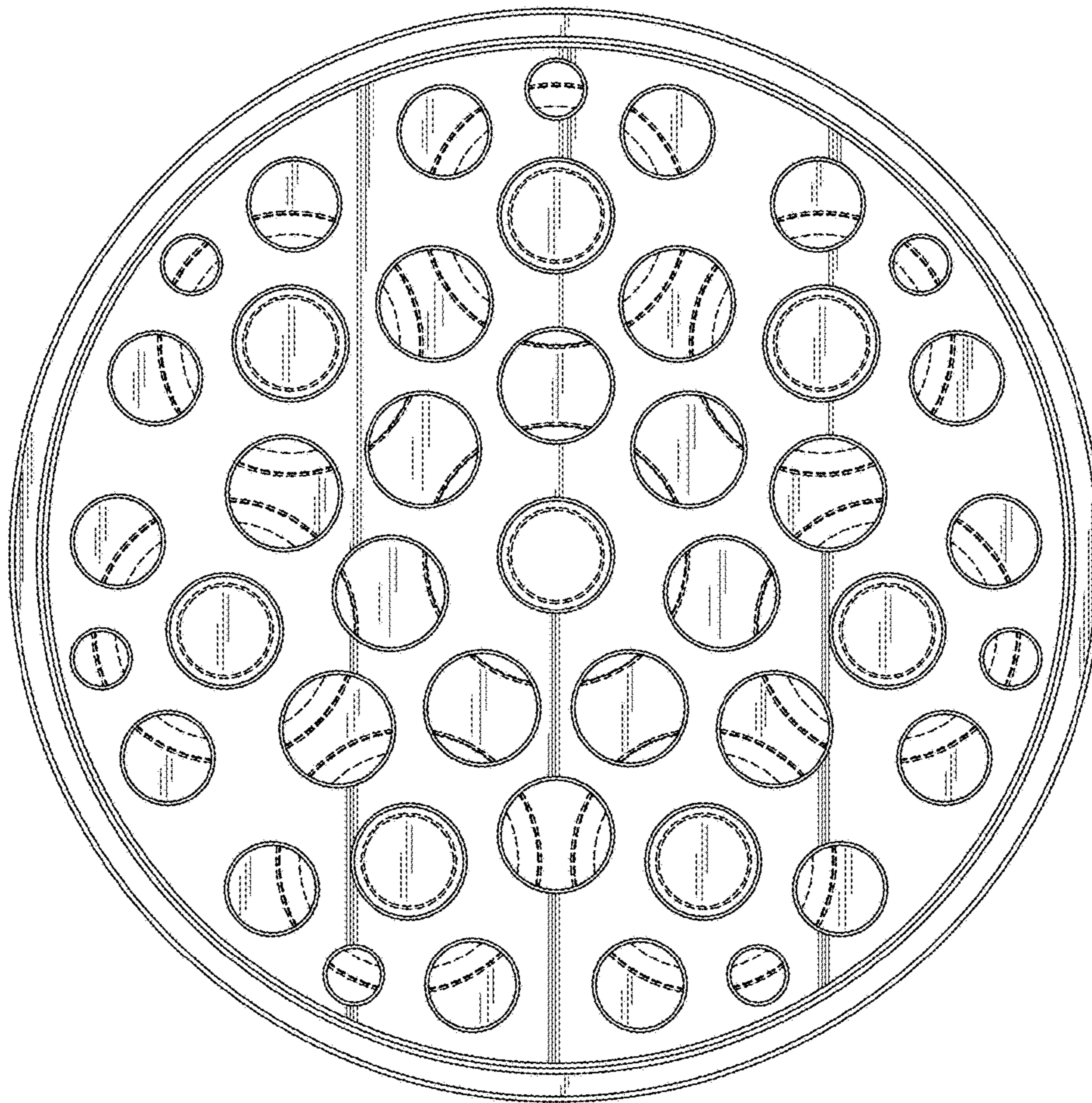


FIG. 5

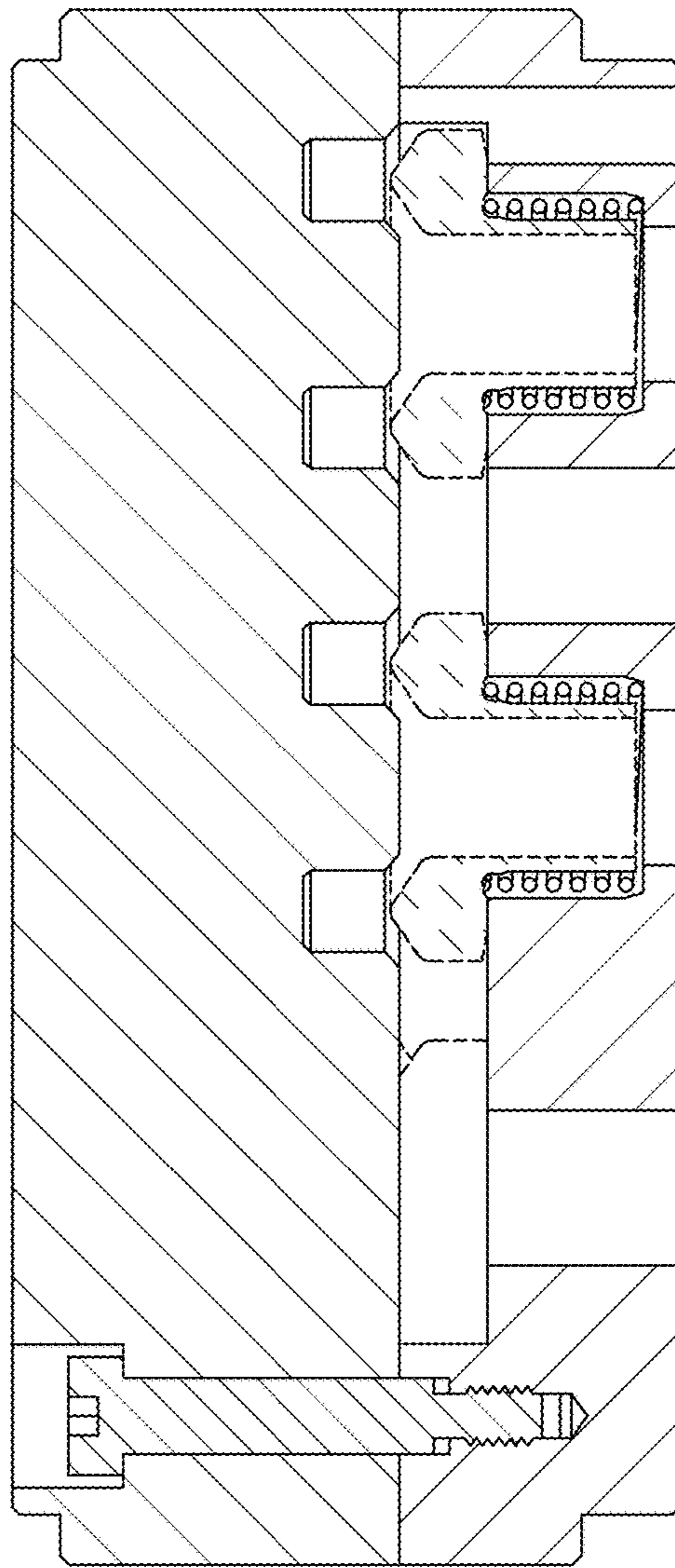


FIG. 6

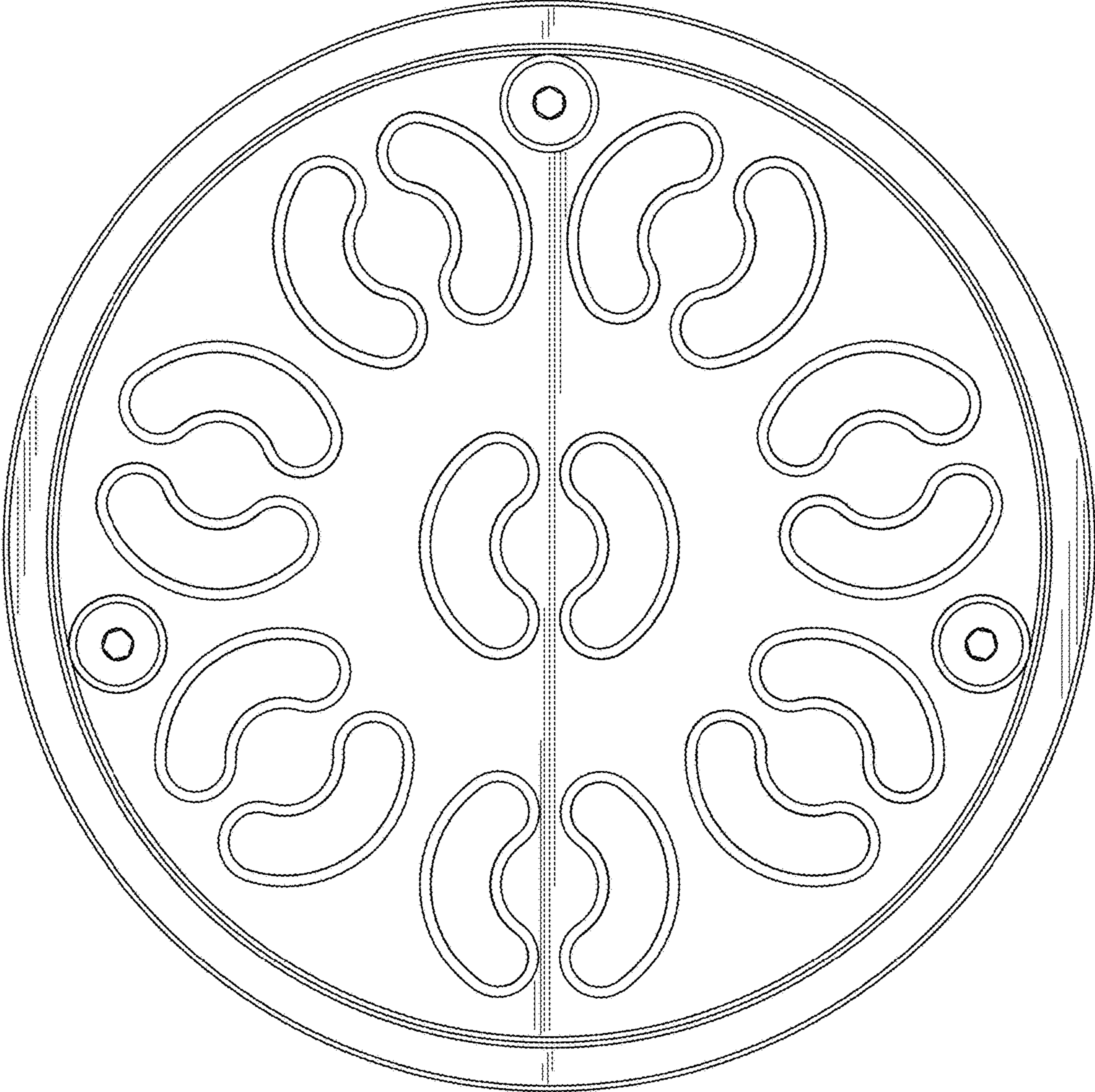


FIG. 7

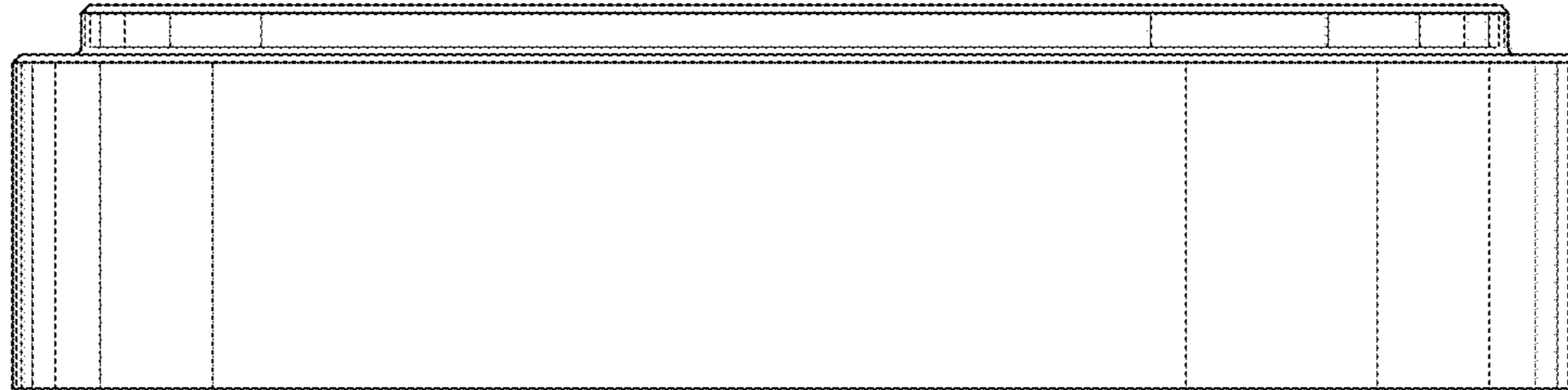


FIG. 8

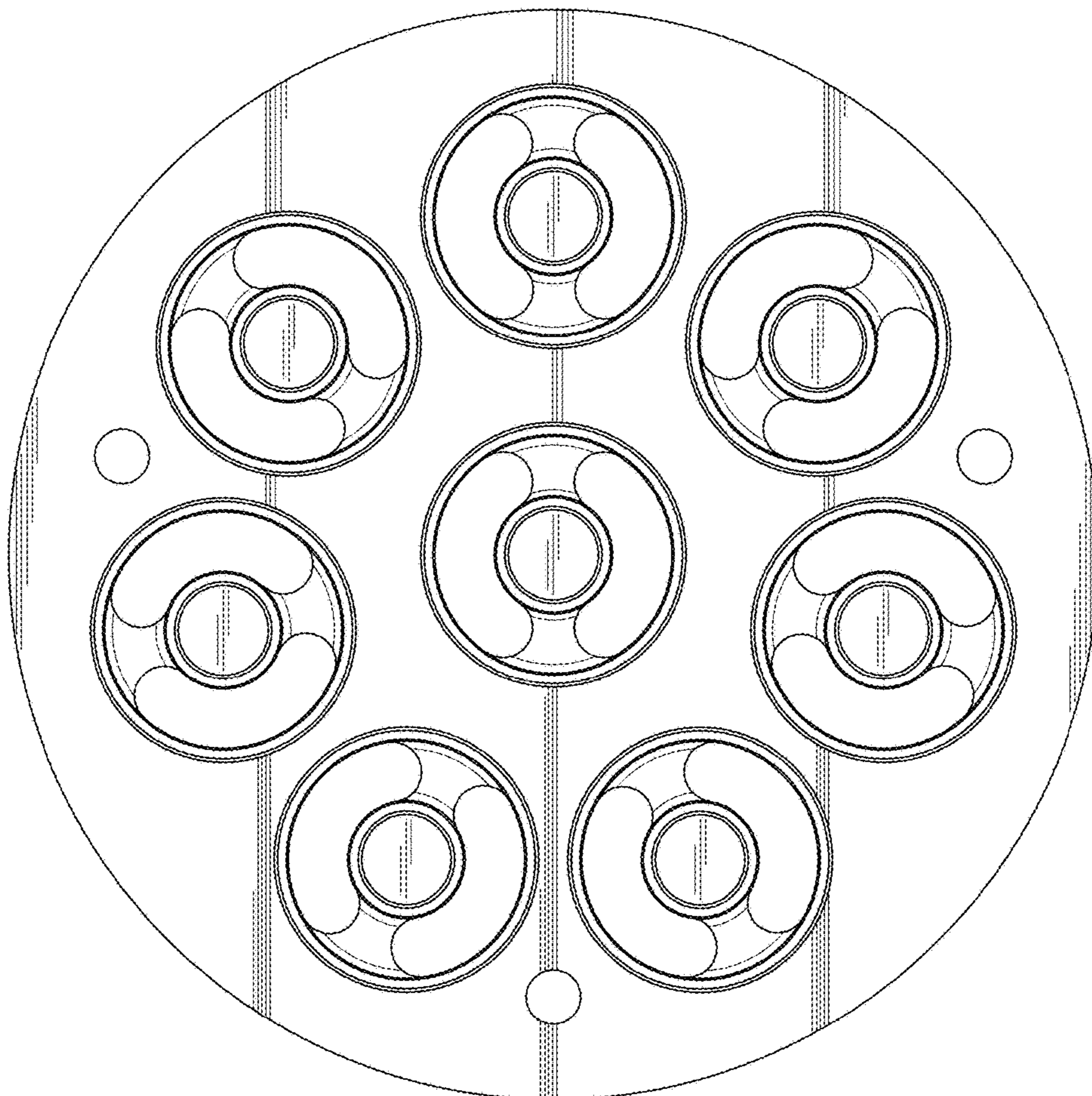


FIG. 9

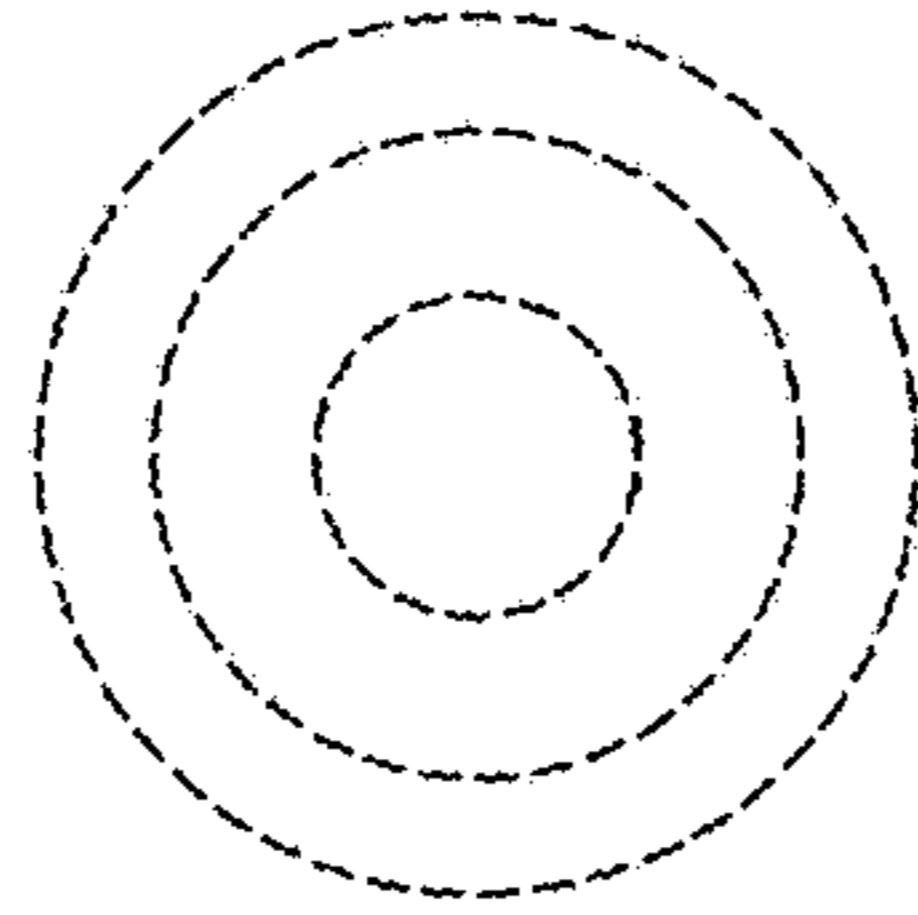


FIG. 10

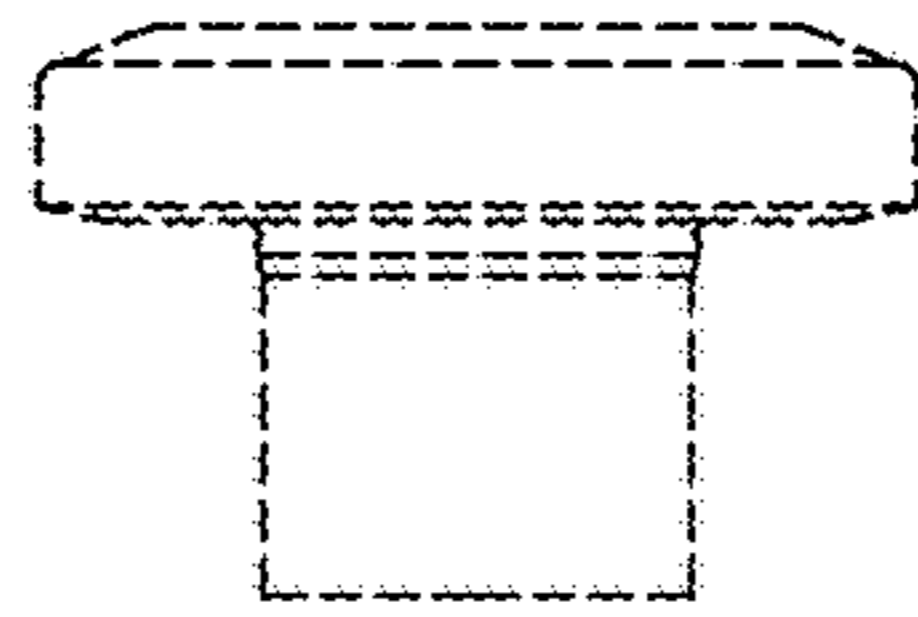


FIG. 11

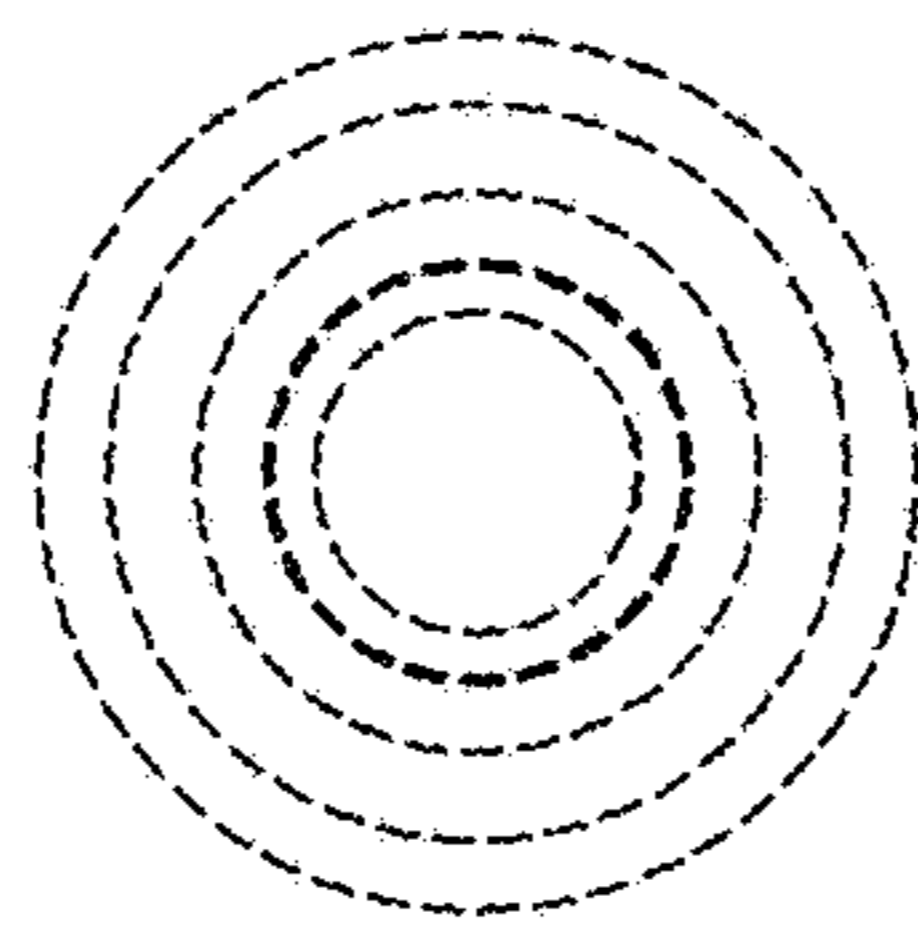


FIG. 12

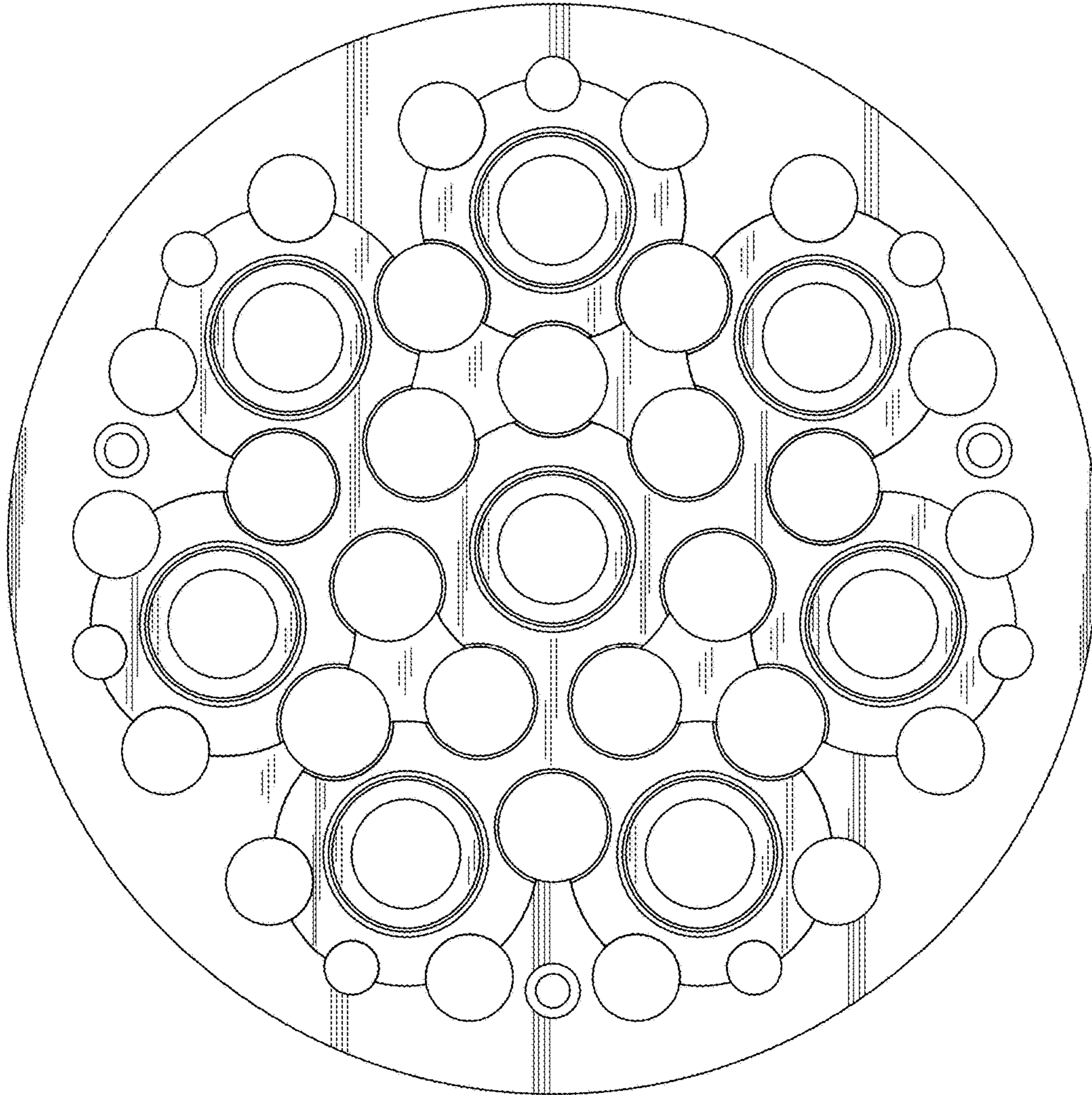


FIG. 13

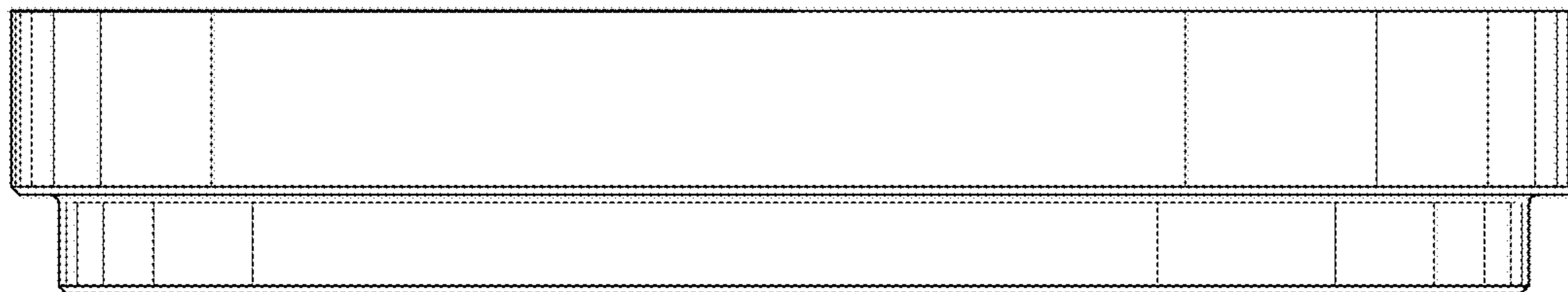


FIG. 14

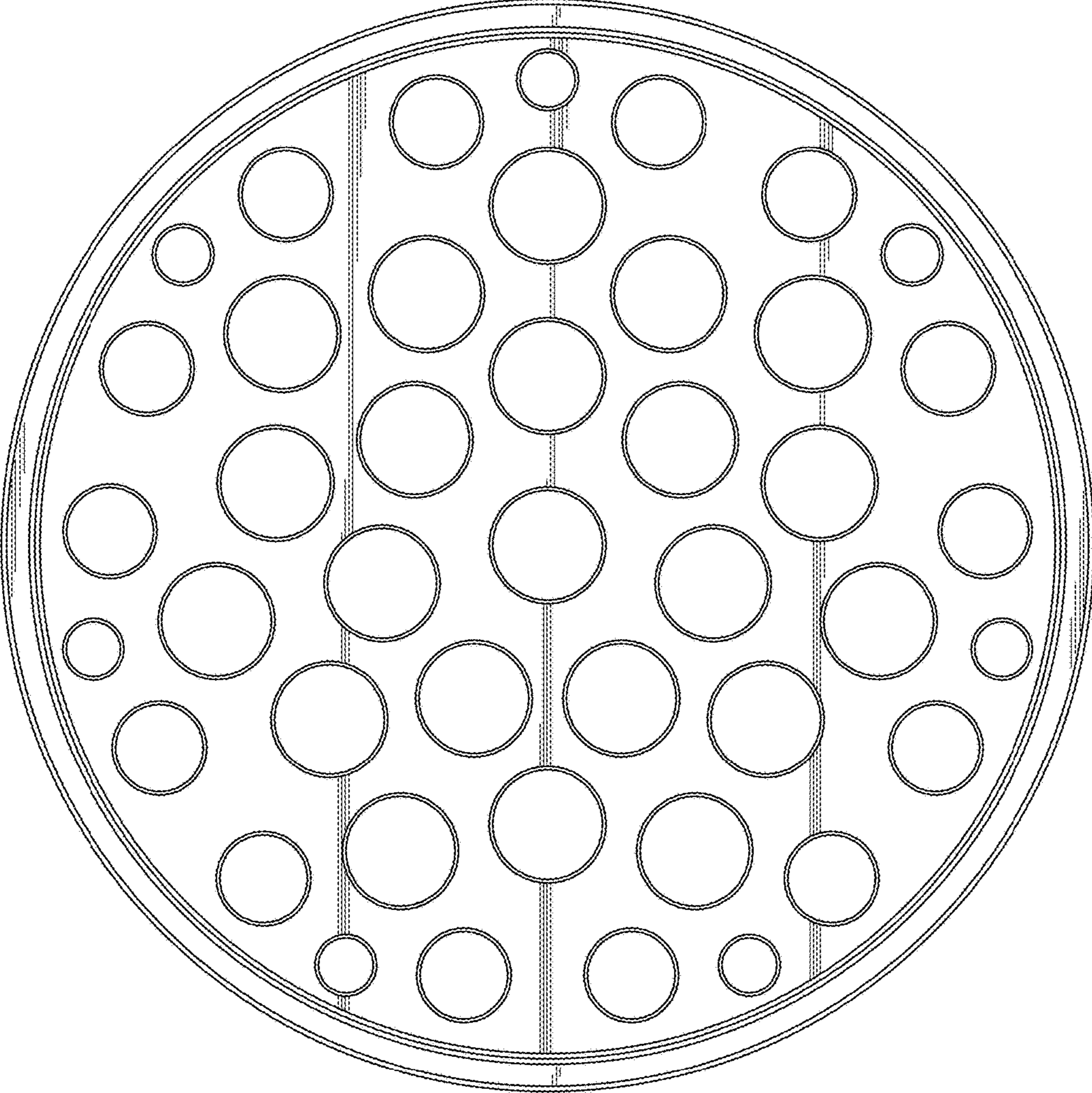


FIG. 15