



US00D841014S

(12) **United States Design Patent** (10) **Patent No.:** **US D841,014 S**
Laudadio et al. (45) **Date of Patent:** **** Feb. 19, 2019**

(54) **COMPACT HEIGHT-ADJUSTABLE LAPTOP SYSTEM**

(71) Applicant: **Versa Products Inc.**, Los Angeles, CA (US)

(72) Inventors: **Christopher Laudadio**, Beverly Hills, CA (US); **Thomas Tanaka**, Marina del Rey, CA (US)

(**) Term: **15 Years**

(21) Appl. No.: **29/627,183**

(22) Filed: **Nov. 22, 2017**

(51) **LOC (11) Cl.** **08-07**

(52) **U.S. Cl.**
USPC **D14/447**

(58) **Field of Classification Search**
USPC D14/447, 432, 434, 439, 440, 451, 452, D14/457, 239; D8/363, 373, 380;
(Continued)

(56) **References Cited**

U.S. PATENT DOCUMENTS

D476,509 S * 7/2003 Orsino D14/447
D549,232 S * 8/2007 Li D14/434
(Continued)

Primary Examiner — Angela J Lee

(57) **CLAIM**

The ornamental design for a compact height-adjustable laptop system, as shown and described.

DESCRIPTION

FIG. 1 shows a front perspective view of a compact height-adjustable laptop system in a first position;
FIG. 2 shows a front view of the compact height-adjustable laptop system of FIG. 1;
FIG. 3 shows a rear view of the compact height-adjustable laptop system of FIG. 1;

FIG. 4 shows a right view of the compact height-adjustable laptop system of FIG. 1;
FIG. 5 shows a left view of the compact height-adjustable laptop system of FIG. 1;
FIG. 6 shows a top plan view of the compact height-adjustable laptop system of FIG. 1;
FIG. 7 shows a bottom plan view of the compact height-adjustable laptop system of FIG. 1;
FIG. 8 shows a perspective view of the compact height-adjustable laptop system of FIG. 1 in a second position;
FIG. 9 shows a front view of the compact height-adjustable laptop system of FIG. 8;
FIG. 10 shows a rear view of the compact height-adjustable laptop system of FIG. 8;
FIG. 11 shows a right view of the compact height-adjustable laptop system of FIG. 8;
FIG. 12 shows a left view of the compact height-adjustable laptop system of FIG. 8;
FIG. 13 shows a top plan view of the compact height-adjustable laptop system of FIG. 8;
FIG. 14 shows a bottom plan view of the compact height-adjustable laptop system of FIG. 8;
FIG. 15 shows a perspective view of the compact height-adjustable laptop system of FIG. 1 in a third position;
FIG. 16 shows a front view of the compact height-adjustable laptop system of FIG. 15;
FIG. 17 shows a rear view of the compact height-adjustable laptop system of FIG. 15;
FIG. 18 shows a right view of the compact height-adjustable laptop system of FIG. 15;
FIG. 19 shows a left view of the compact height-adjustable laptop system of FIG. 15;
FIG. 20 shows a top plan view of the compact height-adjustable laptop system of FIG. 15;
FIG. 21 shows a bottom plan view of the compact height-adjustable laptop system of FIG. 15;
FIG. 22 shows a perspective view of the compact height-adjustable laptop system of FIG. 1 in a fourth position;
FIG. 23 shows a front view of the compact height-adjustable laptop system of FIG. 22;
FIG. 24 shows a rear view of the compact height-adjustable laptop system of FIG. 22;
FIG. 25 shows a right view of the compact height-adjustable laptop system of FIG. 22;

(Continued)

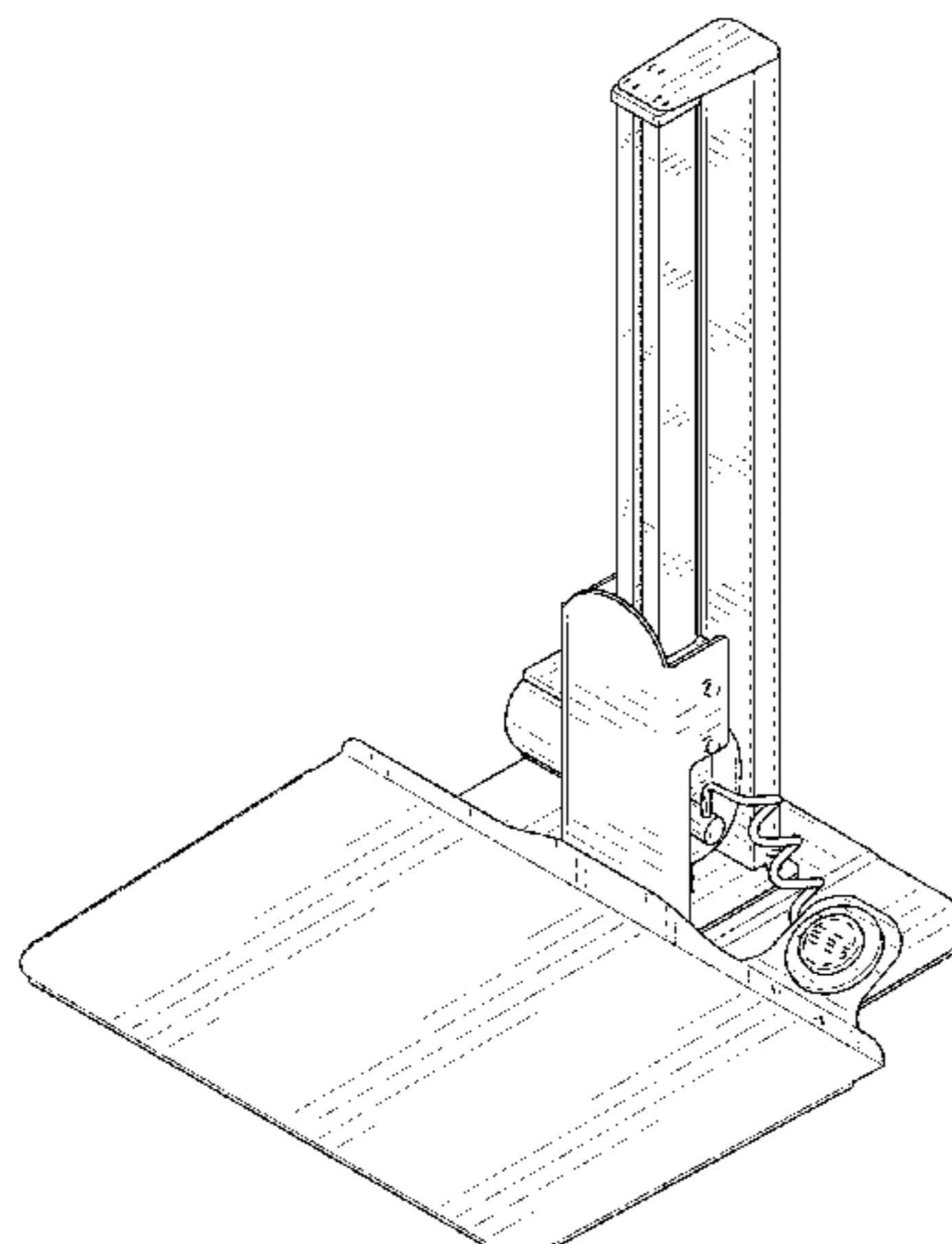


FIG. 26 shows a left view of the compact height-adjustable laptop system of FIG. 22;

FIG. 27 shows a top plan view of the compact height-adjustable laptop system of FIG. 22; and,

FIG. 28 shows a bottom plan view of the compact height-adjustable laptop system of FIG. 22.

The broken lines are for illustrating unclaimed portions of the compact height-adjustable laptop system and form no part of the claimed design.

1 Claim, 28 Drawing Sheets

(58) **Field of Classification Search**

USPC D6/406.3, 406.4, 406.5, 406.6; D12/415;
D13/108, 144

See application file for complete search history.

(56) **References Cited**

U.S. PATENT DOCUMENTS

D588,141 S *	3/2009	Heggland	D14/434
D707,209 S *	6/2014	Ranaletta	D14/239
D707,230 S *	6/2014	Castronovo	D14/447
D709,896 S *	7/2014	McKinstry	D14/447
D760,723 S *	7/2016	Won	D14/447
D769,881 S *	10/2016	Lazzi	D14/452
D771,603 S *	11/2016	Ruggles	D14/239
D772,216 S *	11/2016	Lau	D13/108
D774,322 S *	12/2016	Schmauch	D6/406.5
D812,066 S *	3/2018	Lazzi	D14/447
D827,337 S *	9/2018	Herring	D6/641

* cited by examiner

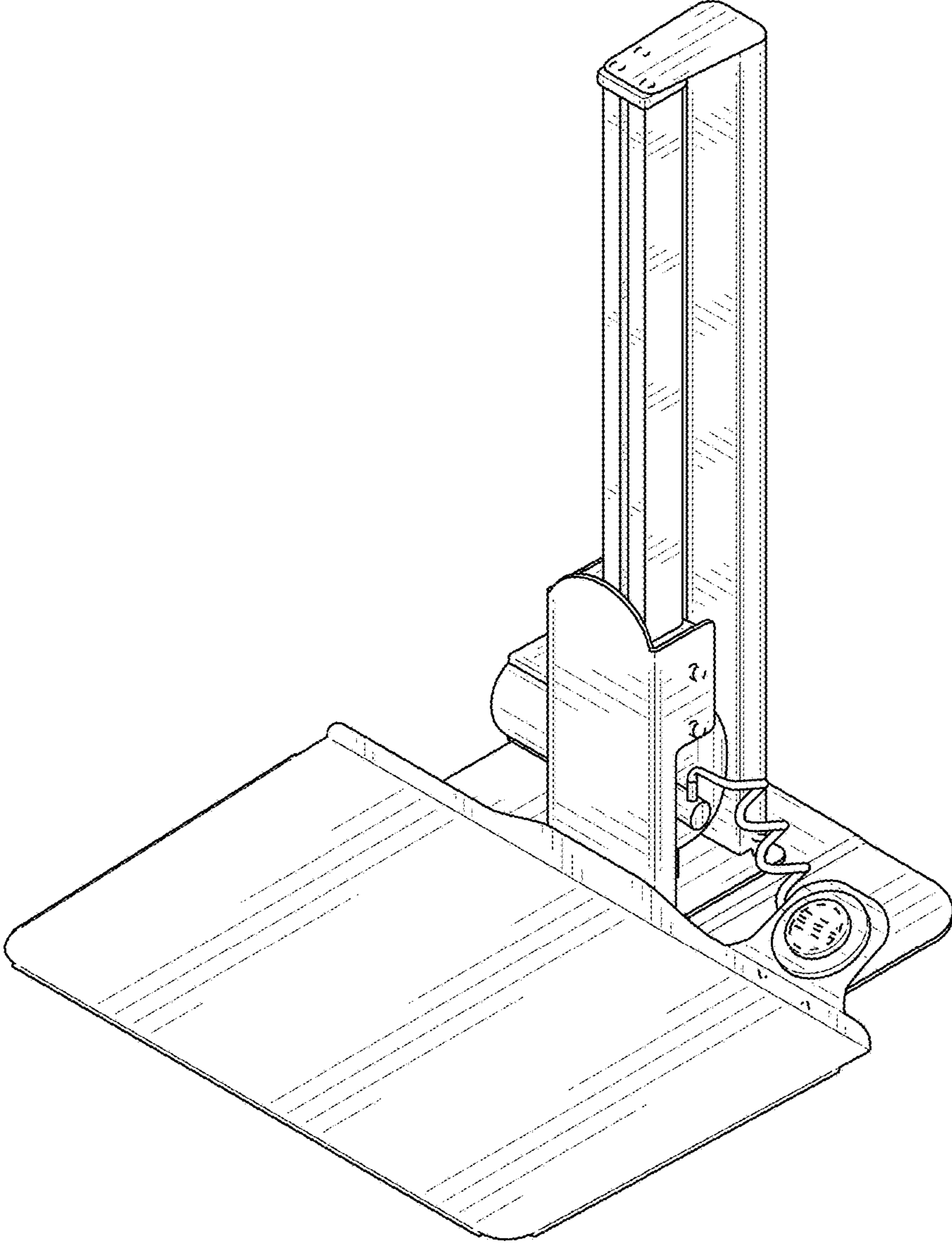


FIG. 1

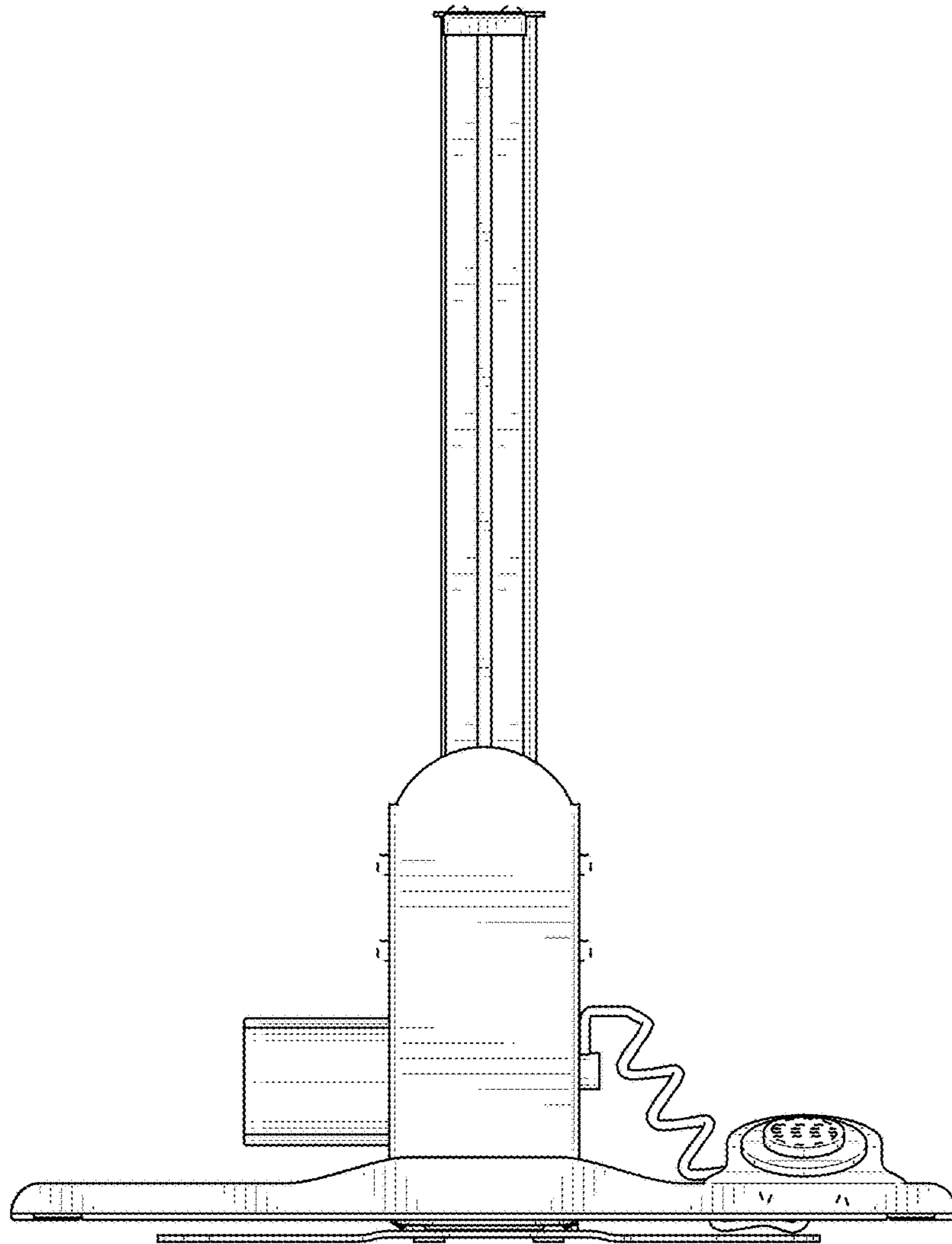


FIG. 2

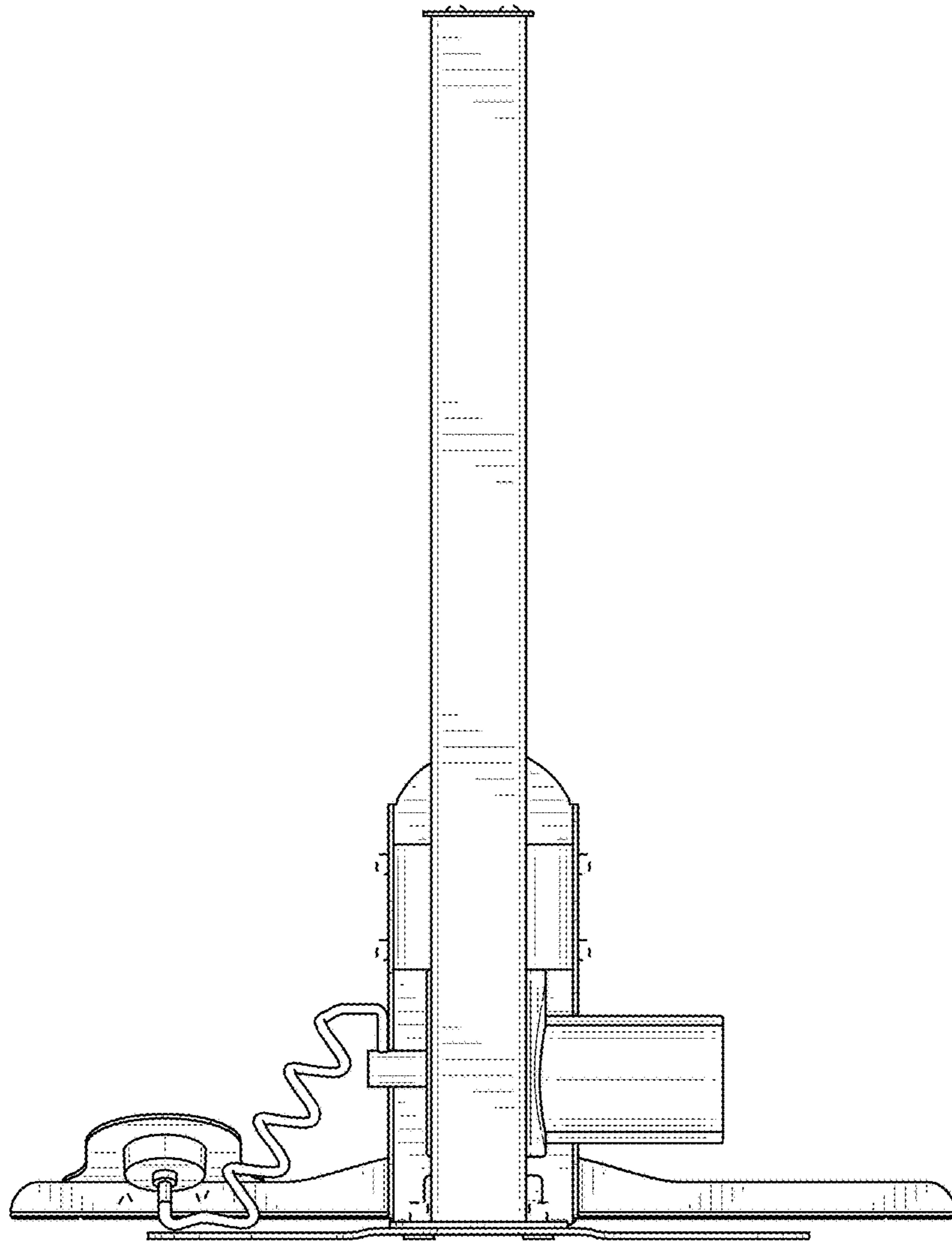


FIG. 3

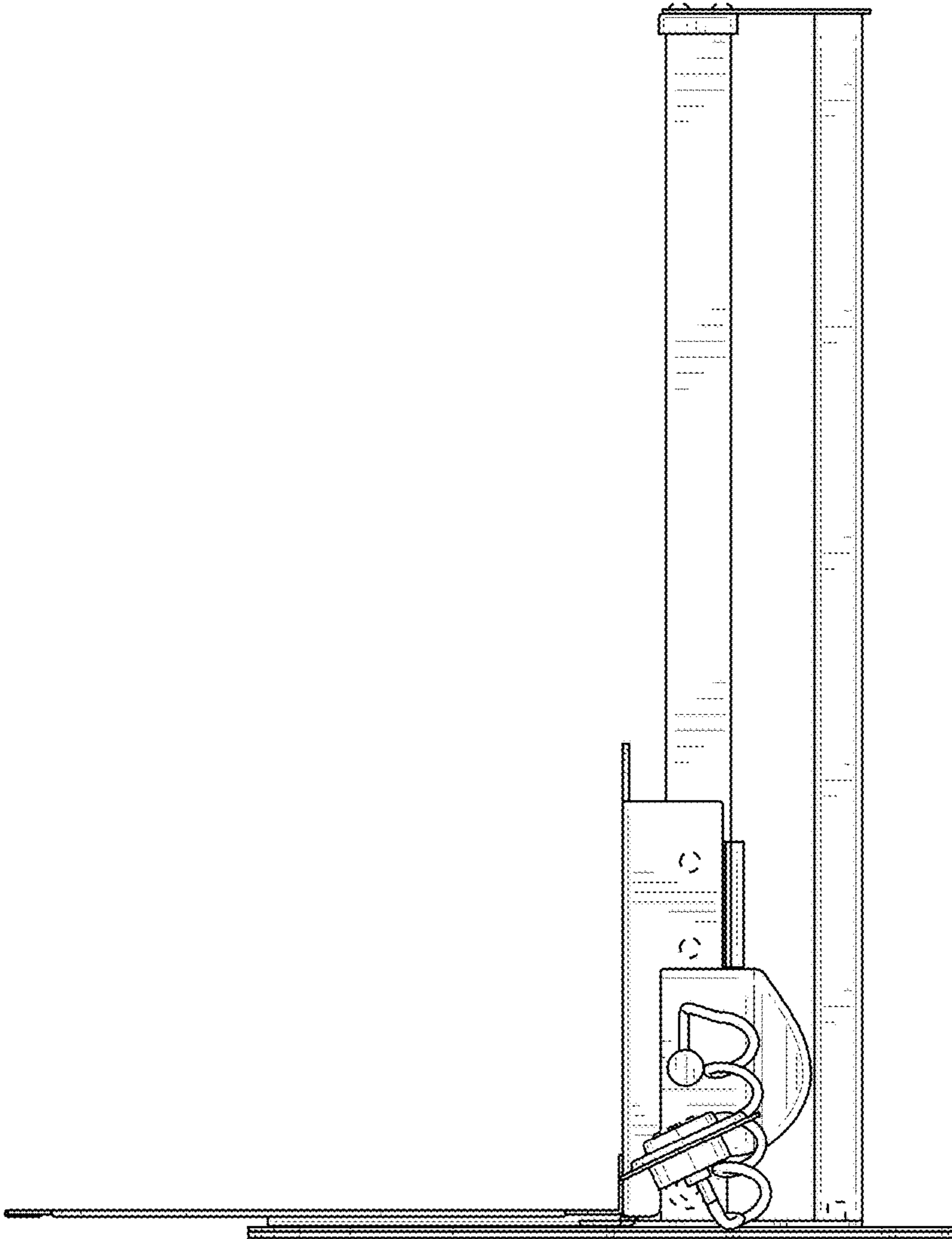


FIG. 4

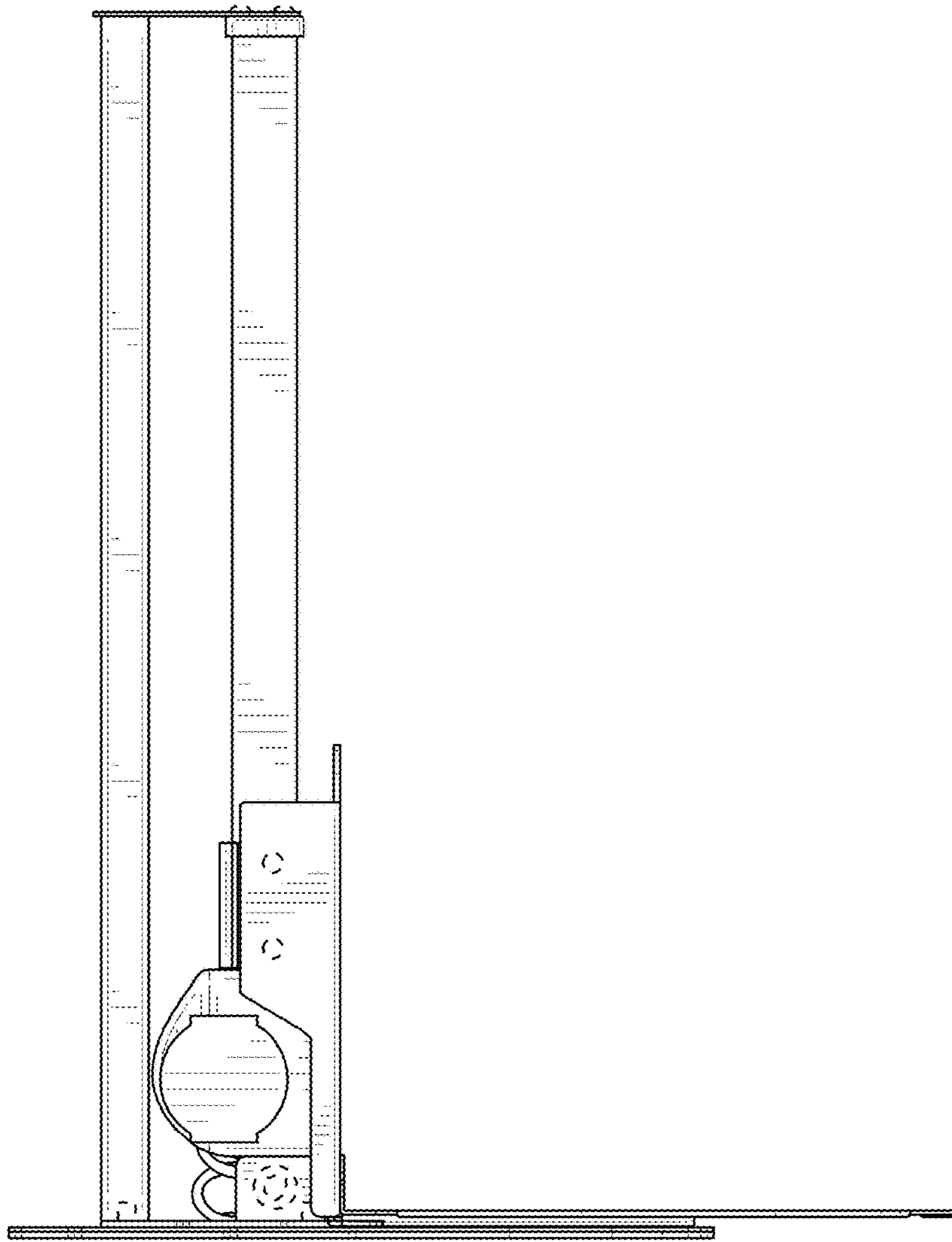


FIG. 5

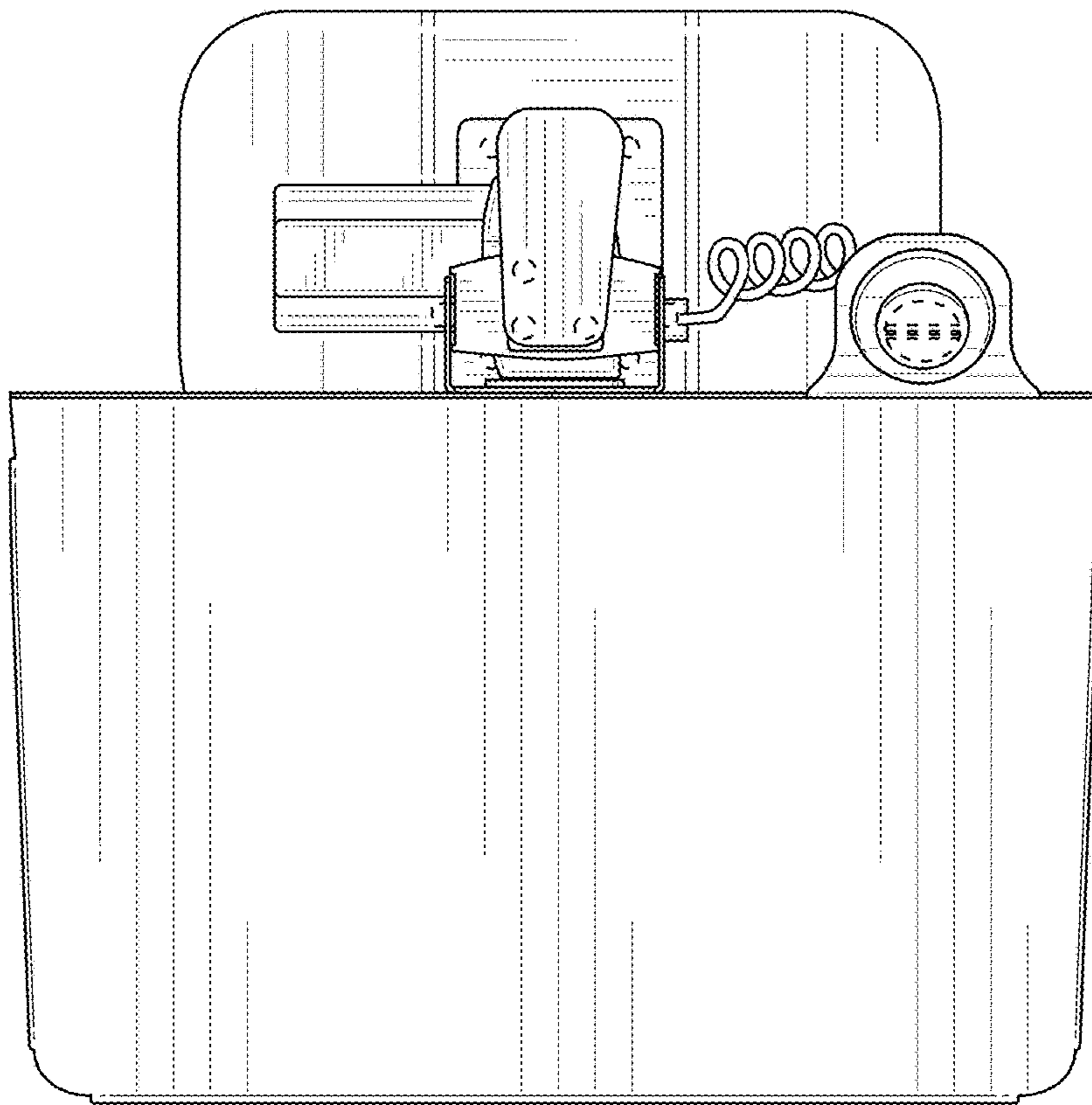


FIG. 6

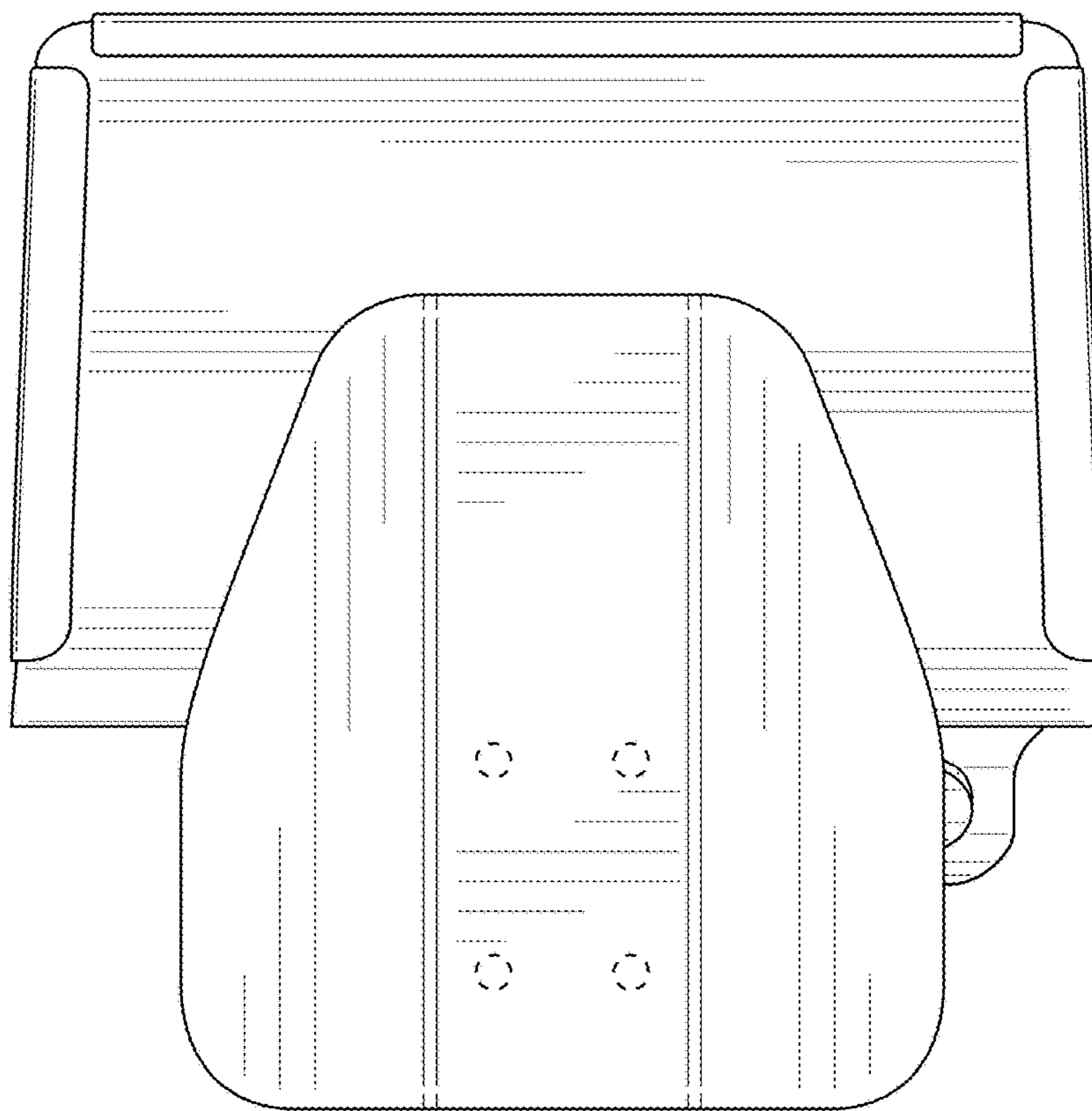


FIG. 7

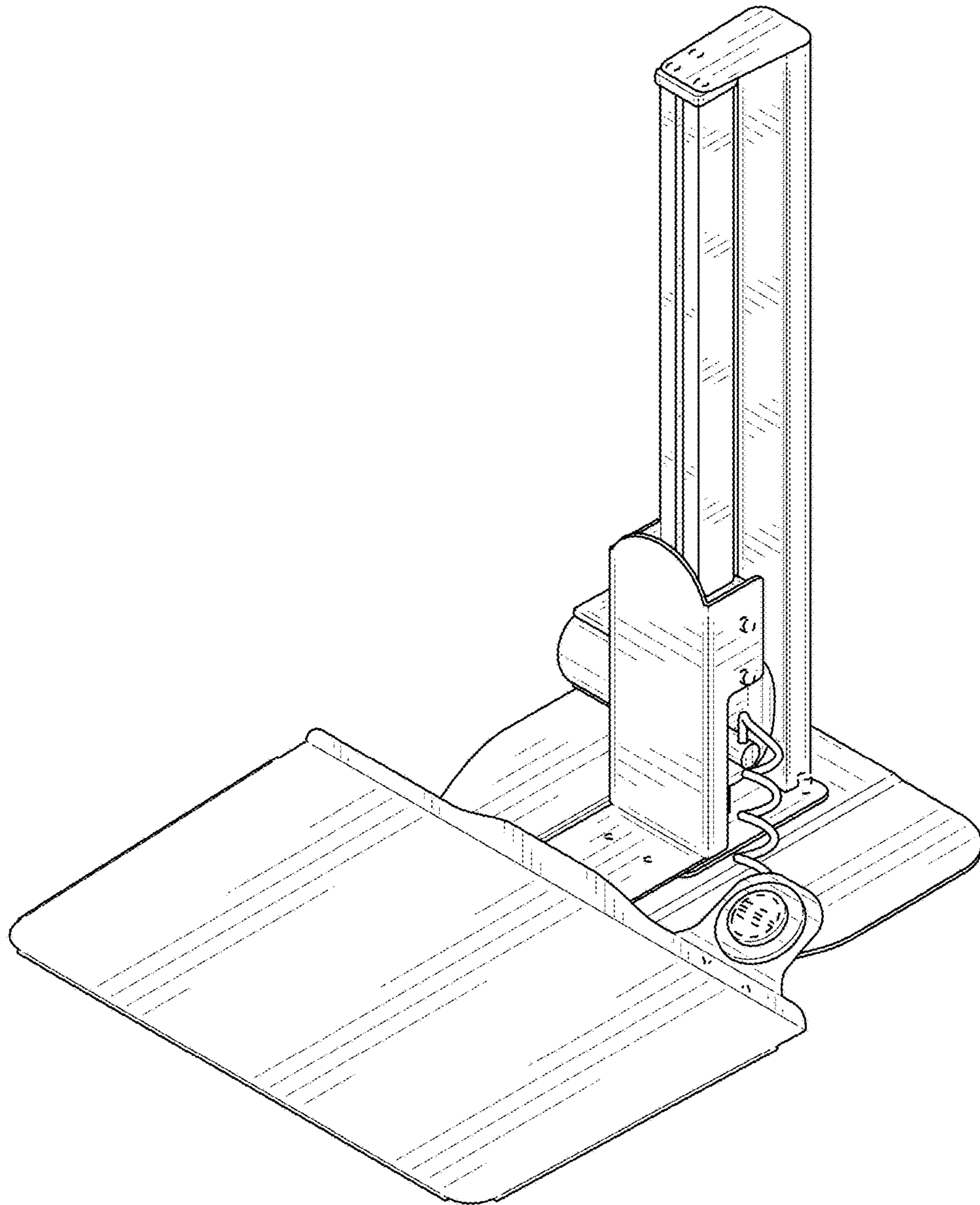


FIG. 8

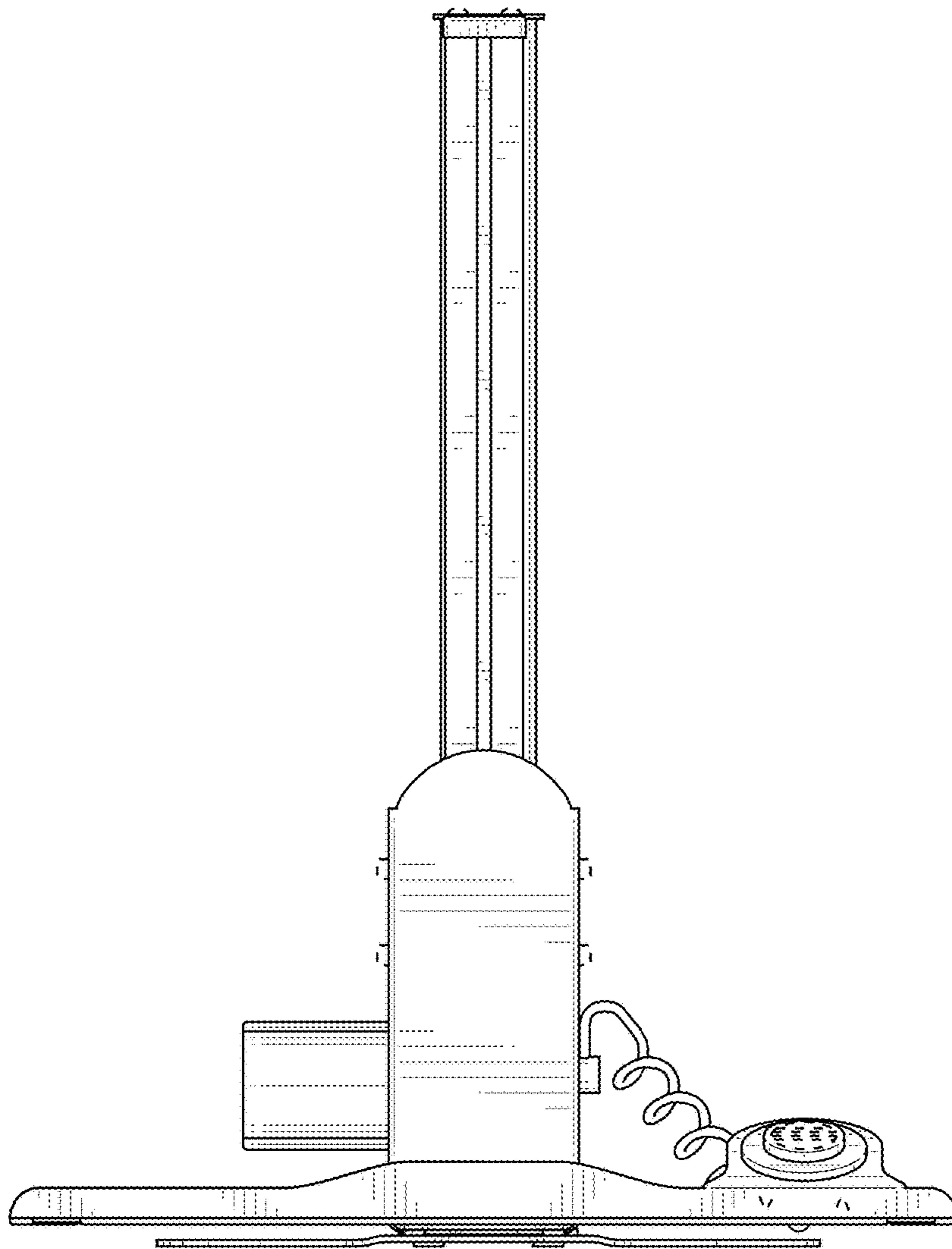


FIG. 9

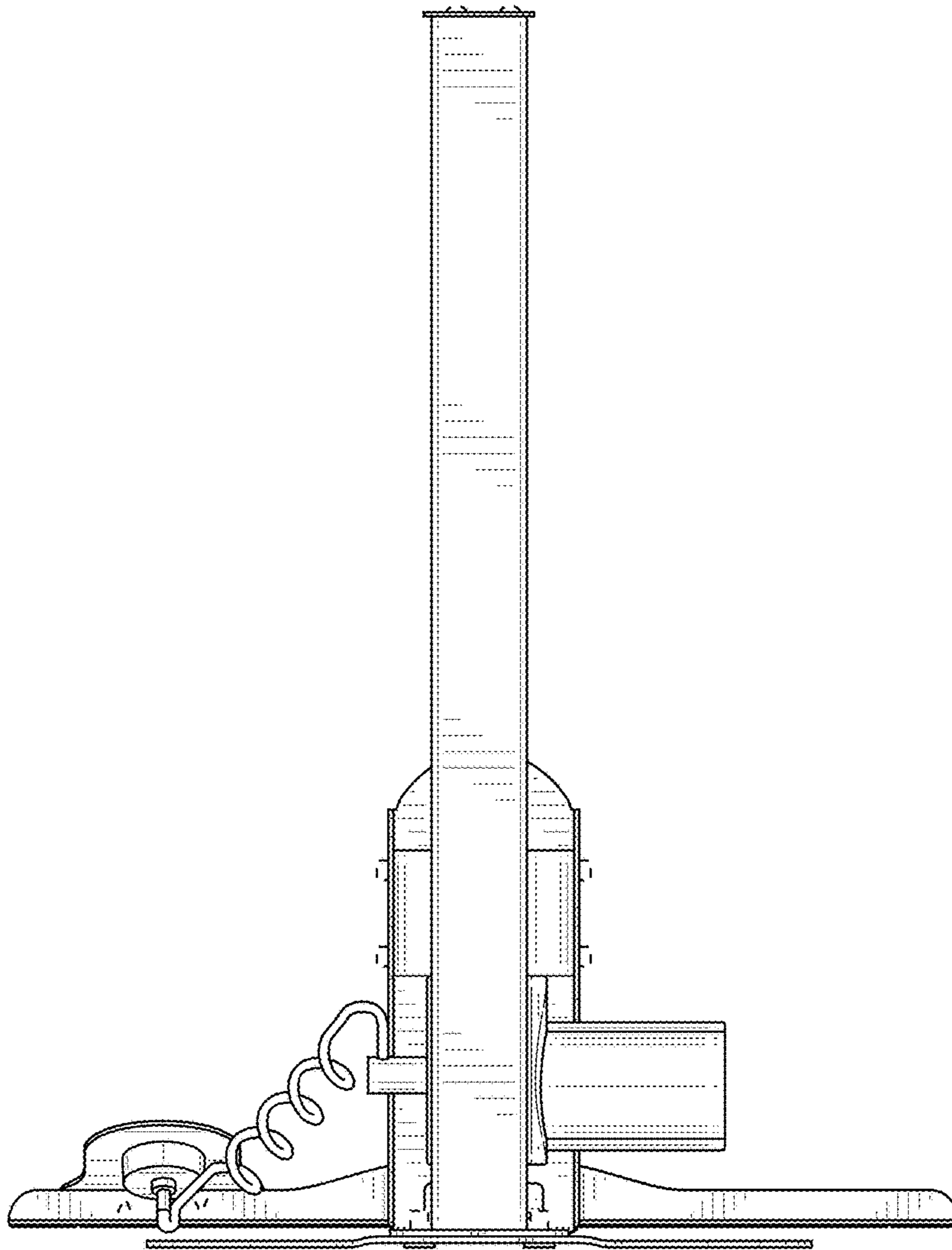


FIG. 10

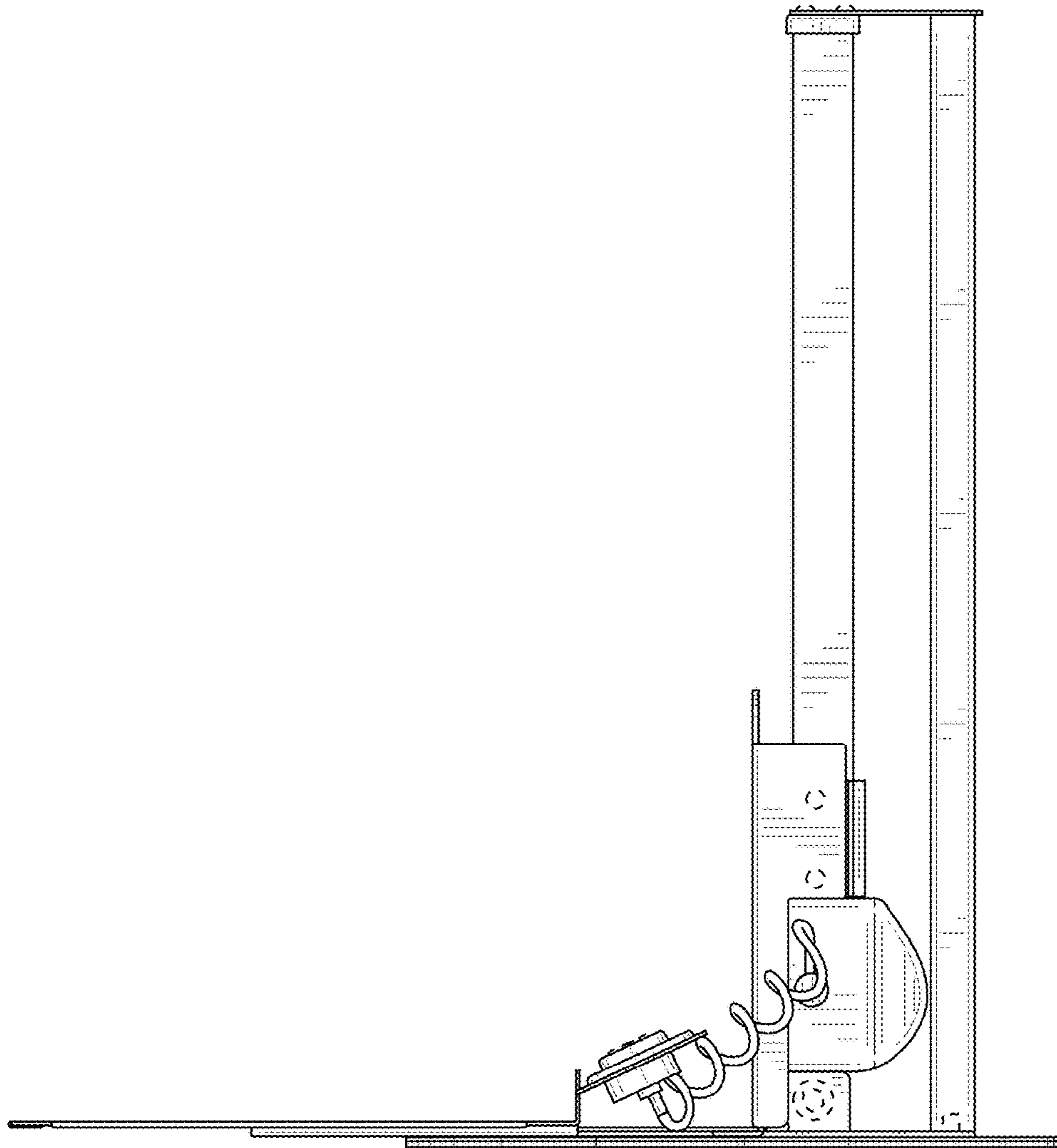


FIG. 11

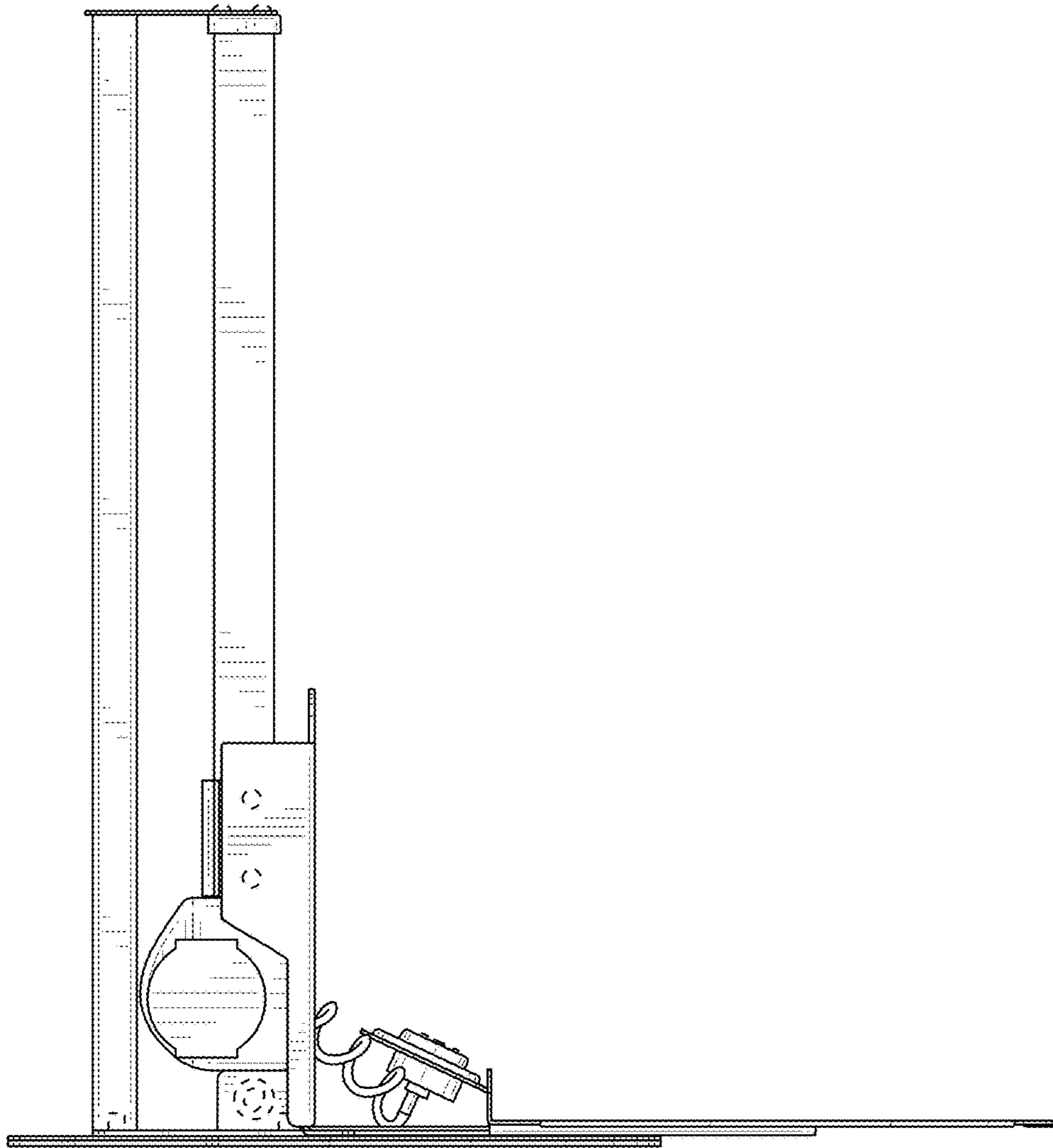


FIG. 12

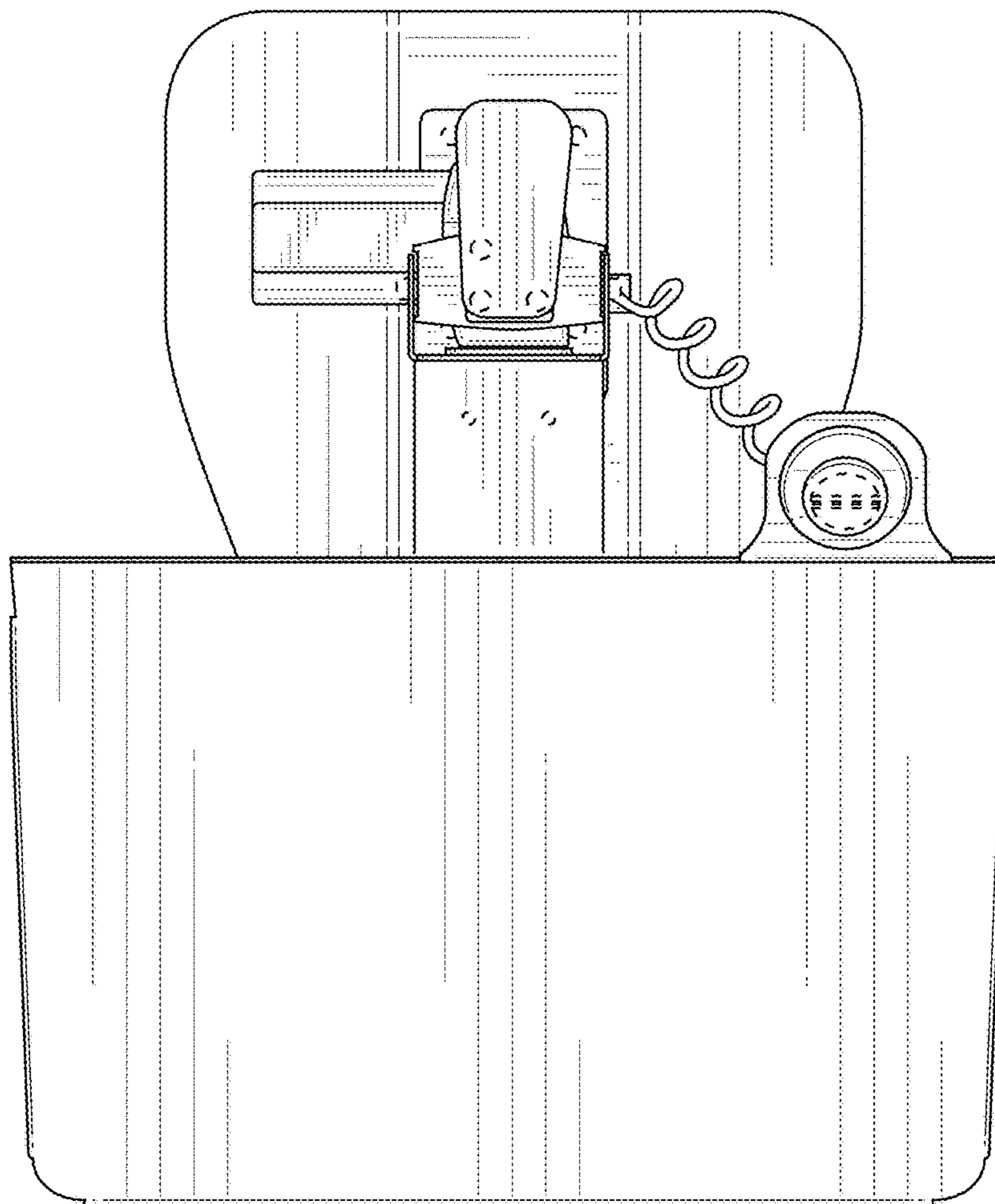


FIG. 13

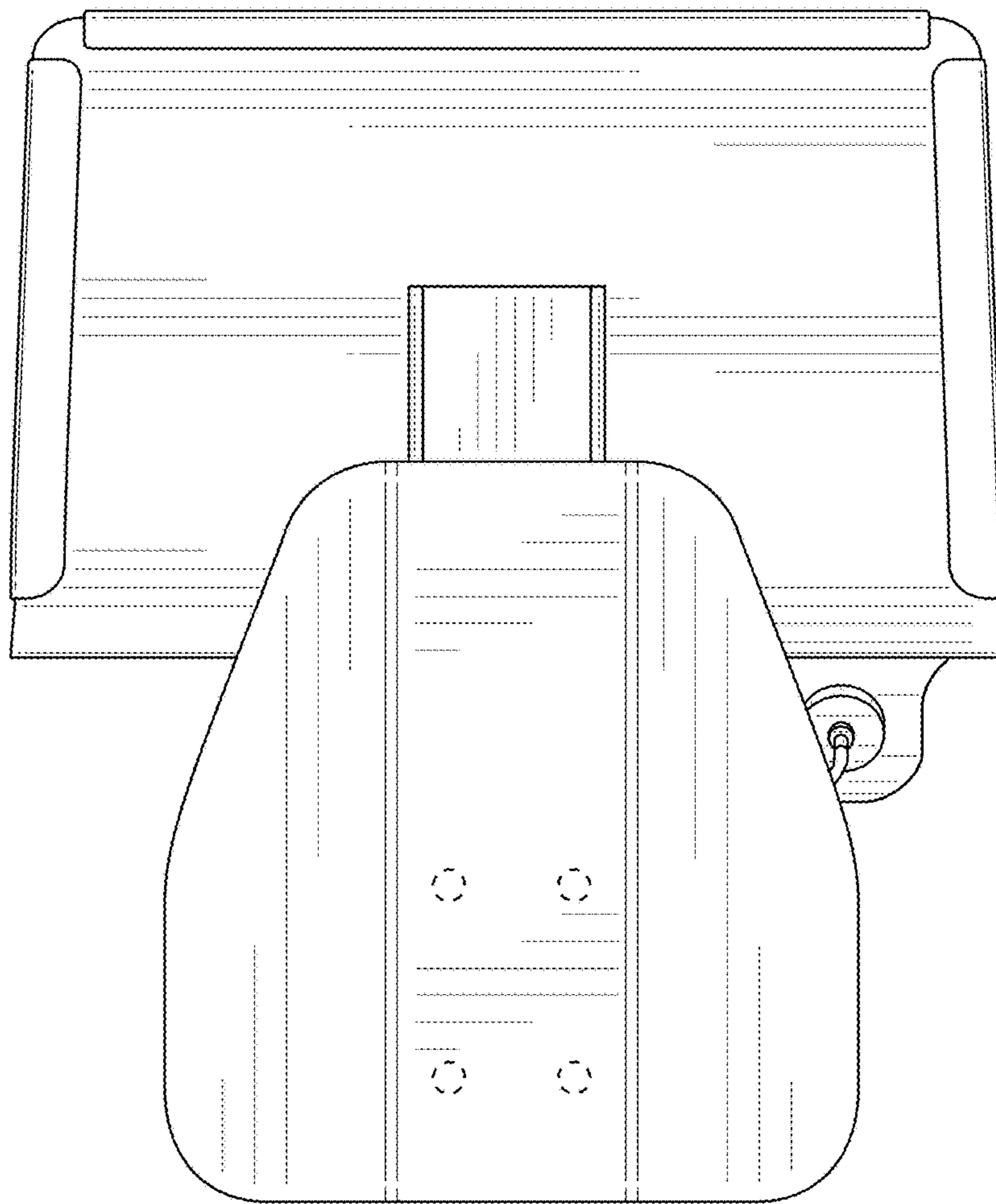


FIG. 14

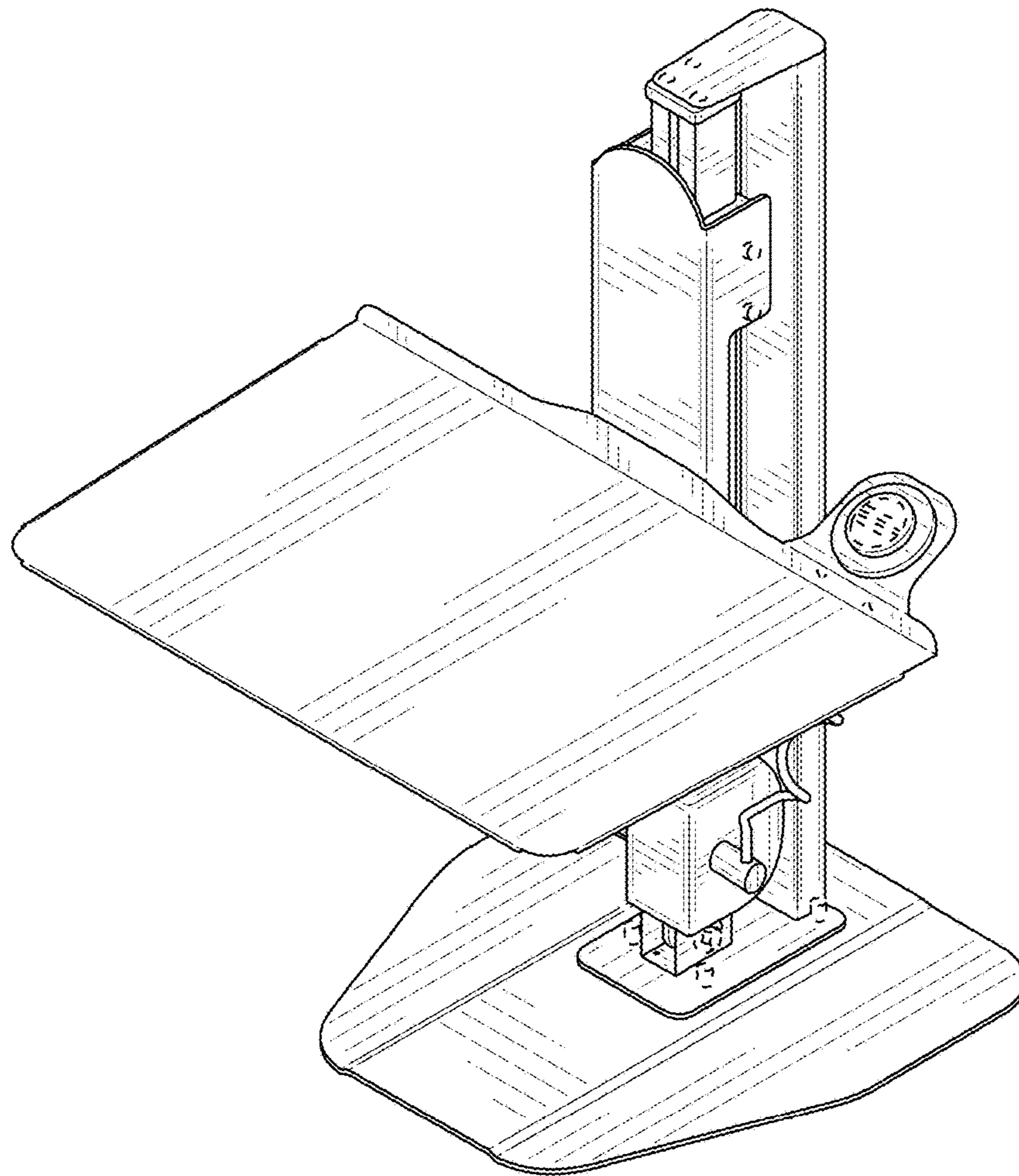


FIG. 15

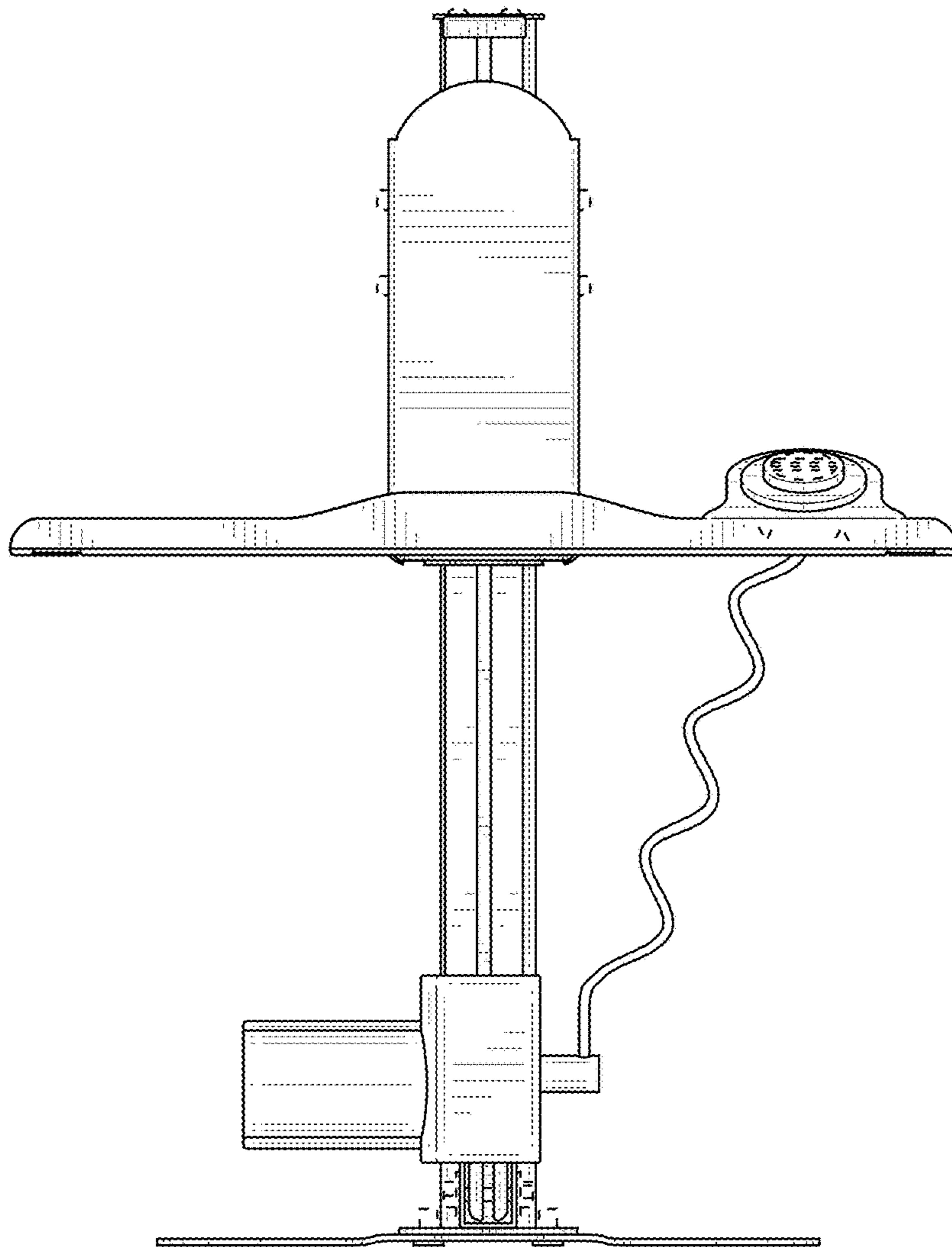


FIG. 16

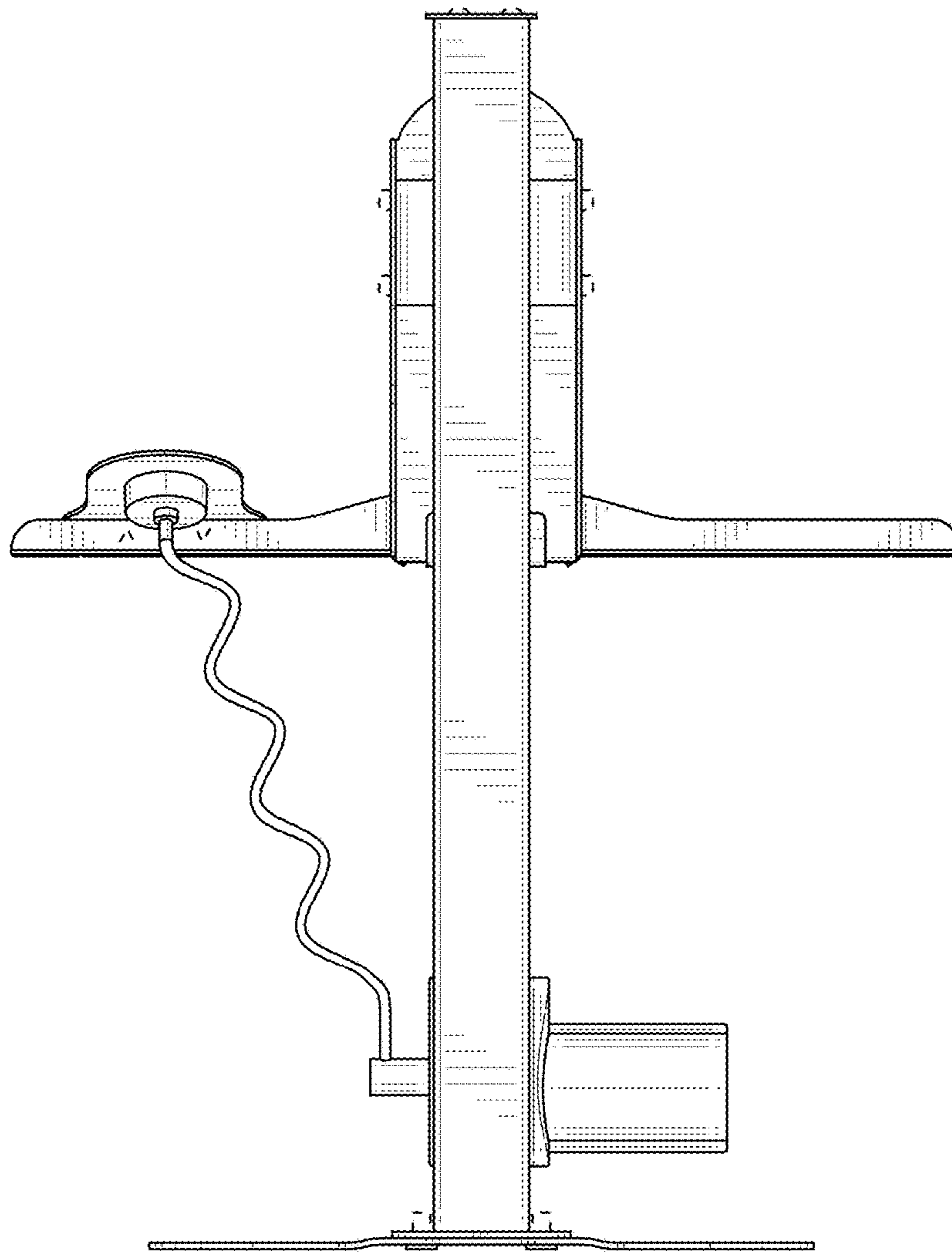


FIG. 17

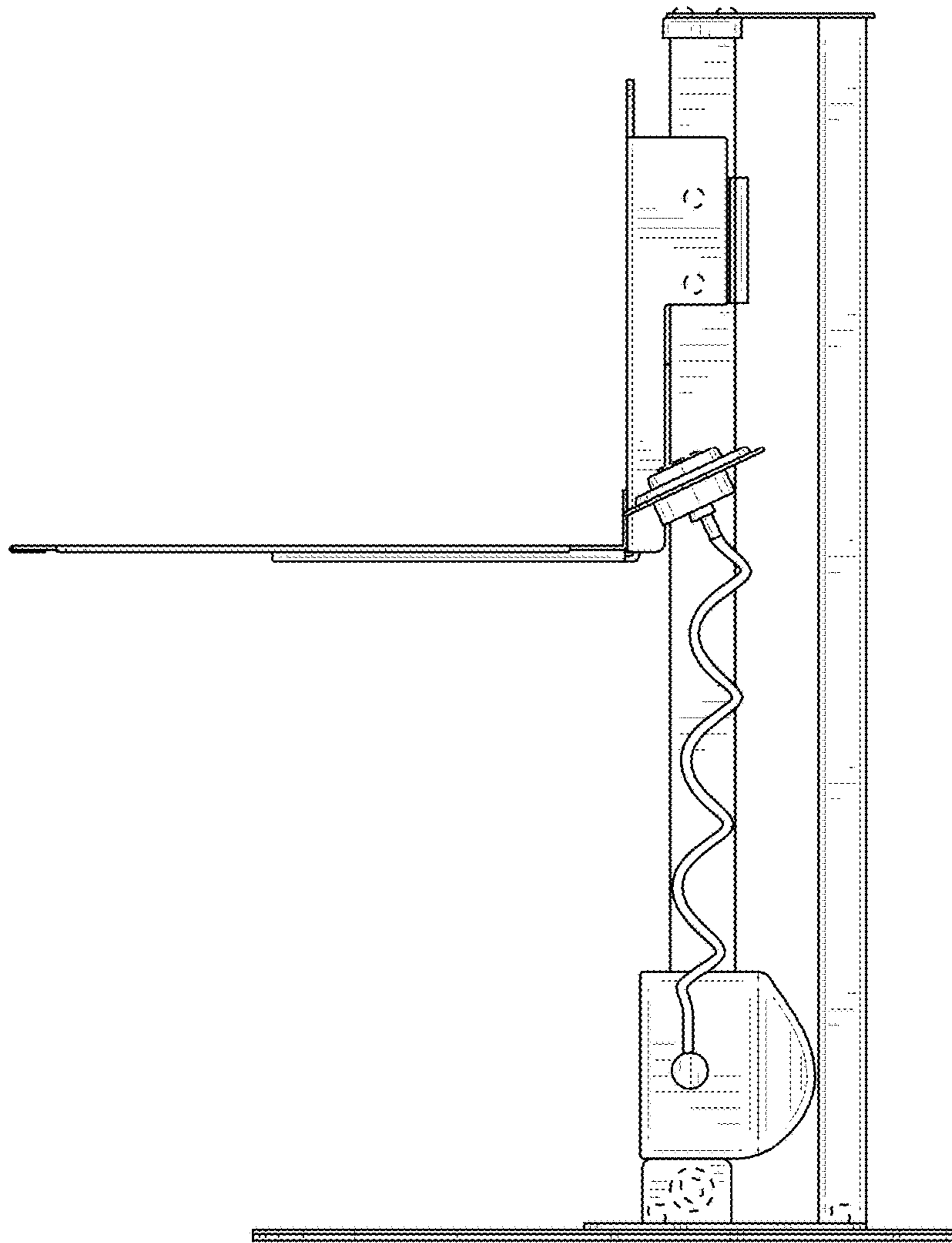


FIG. 18

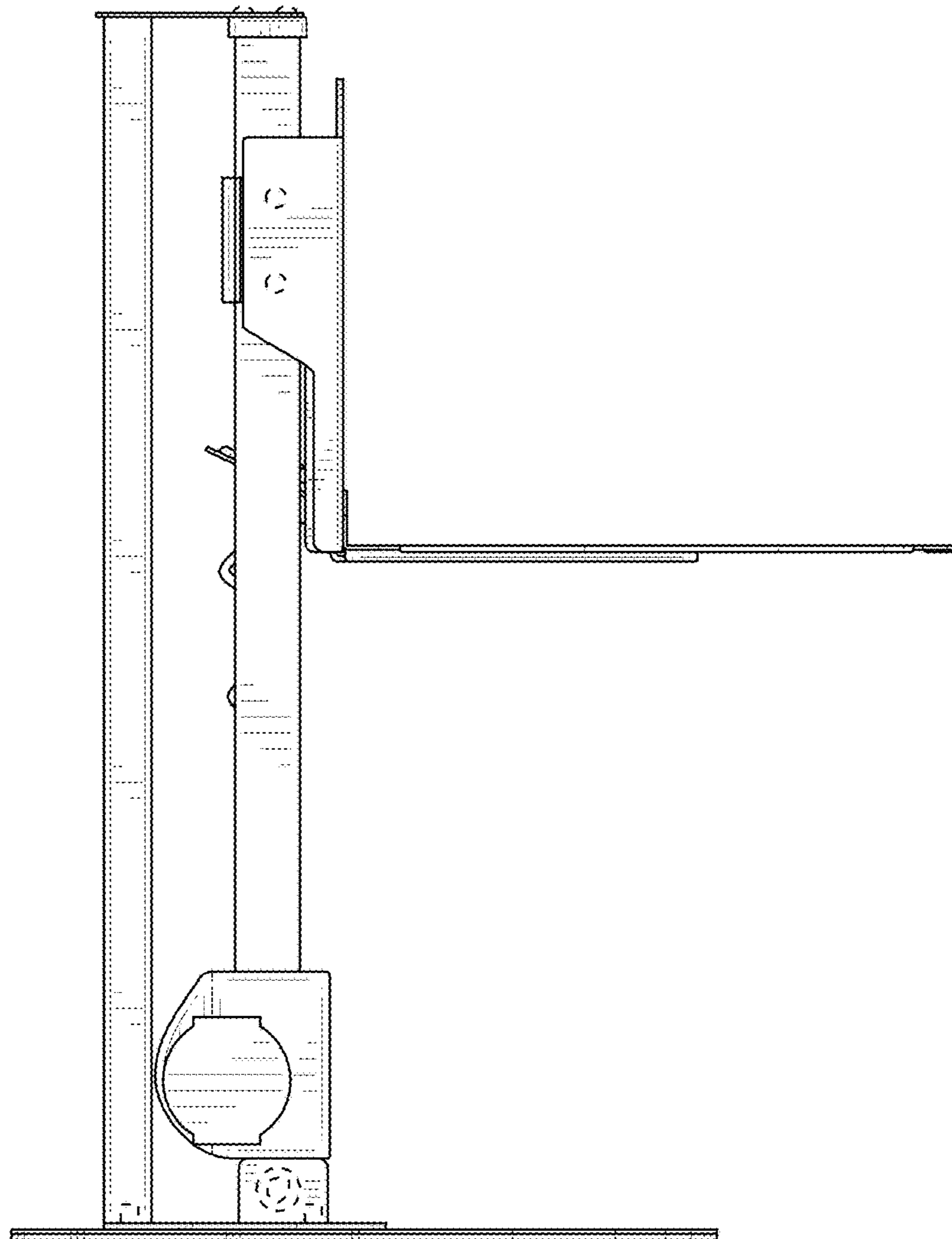


FIG. 19

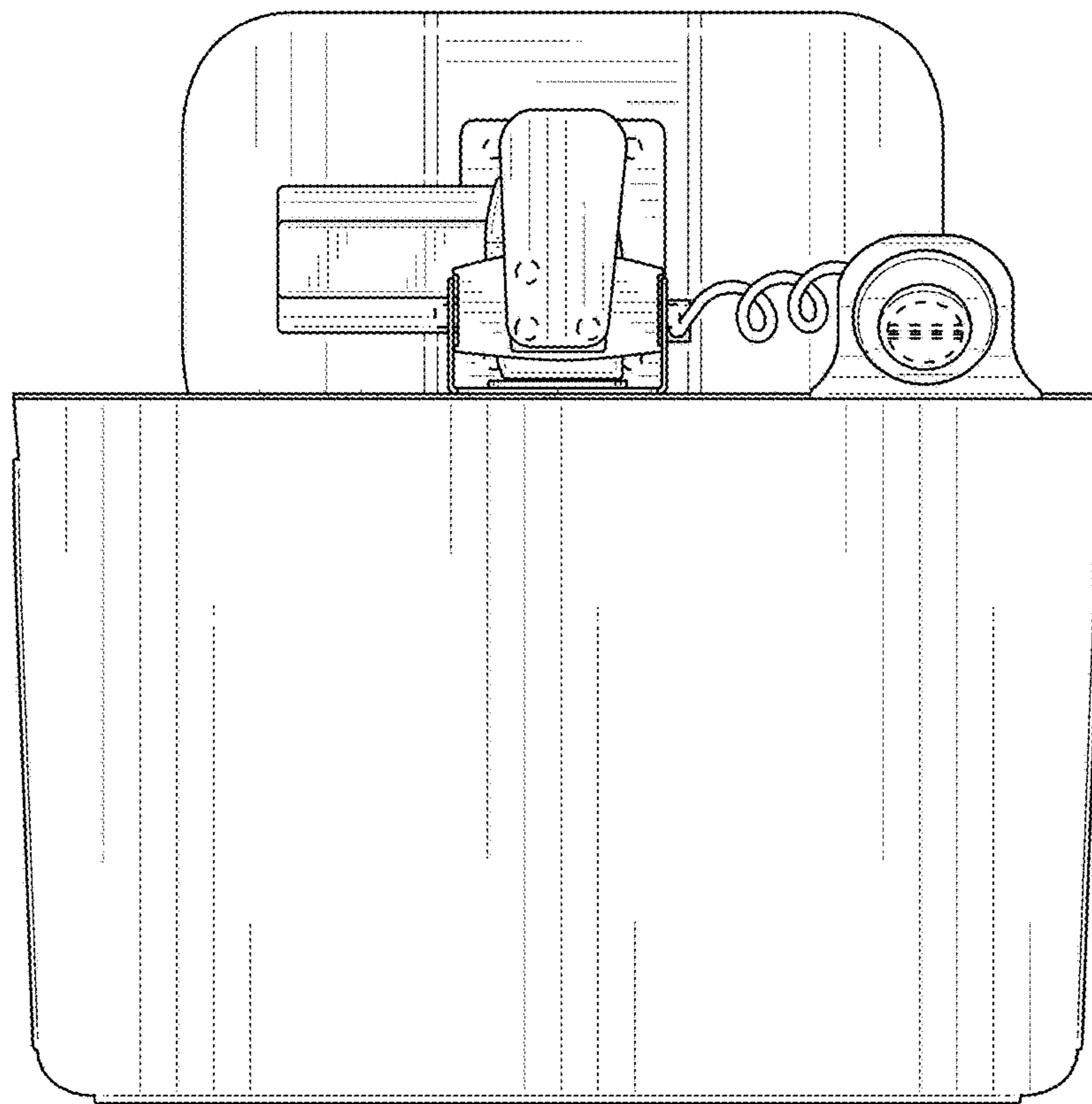


FIG. 20

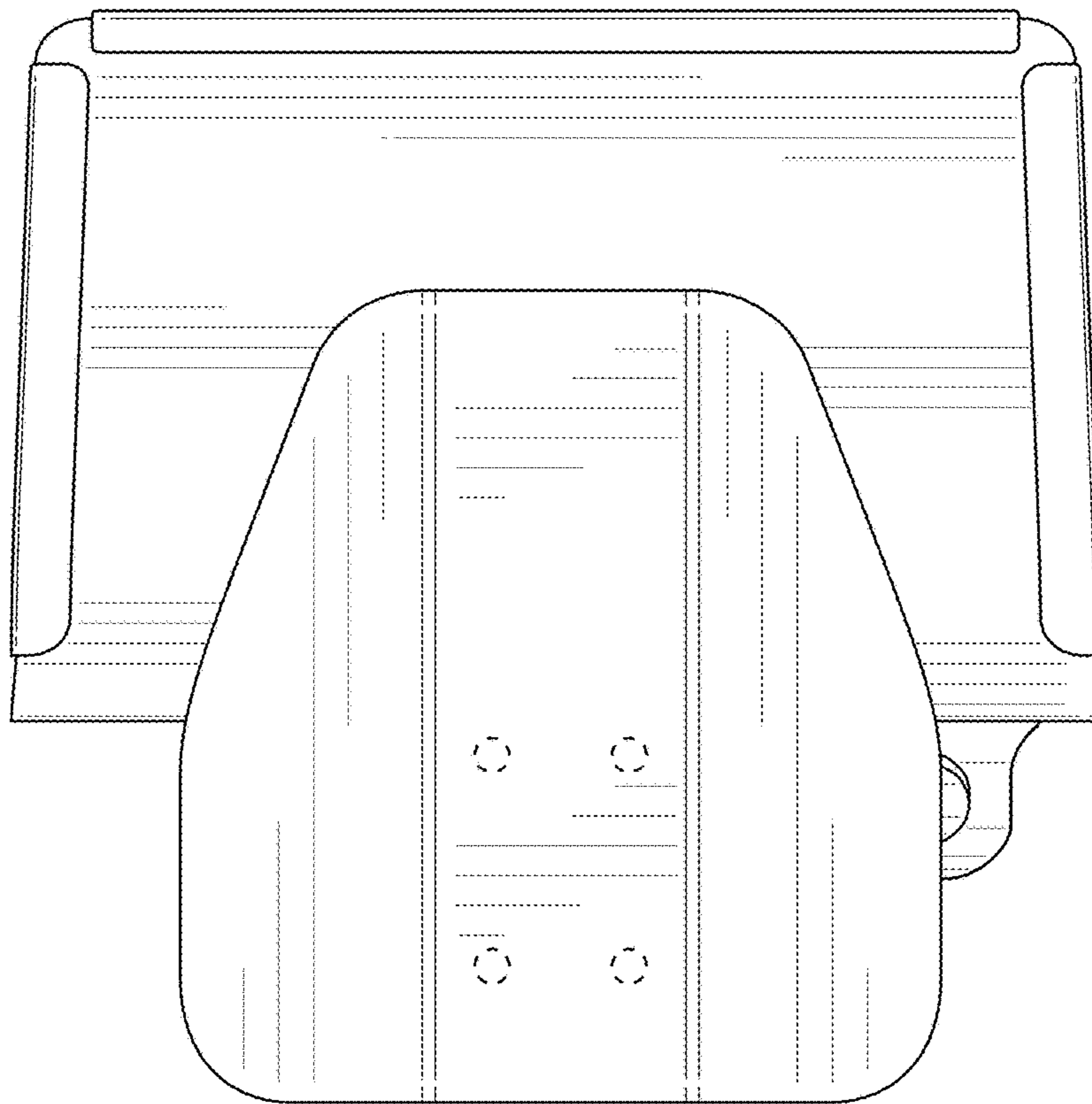


FIG. 21

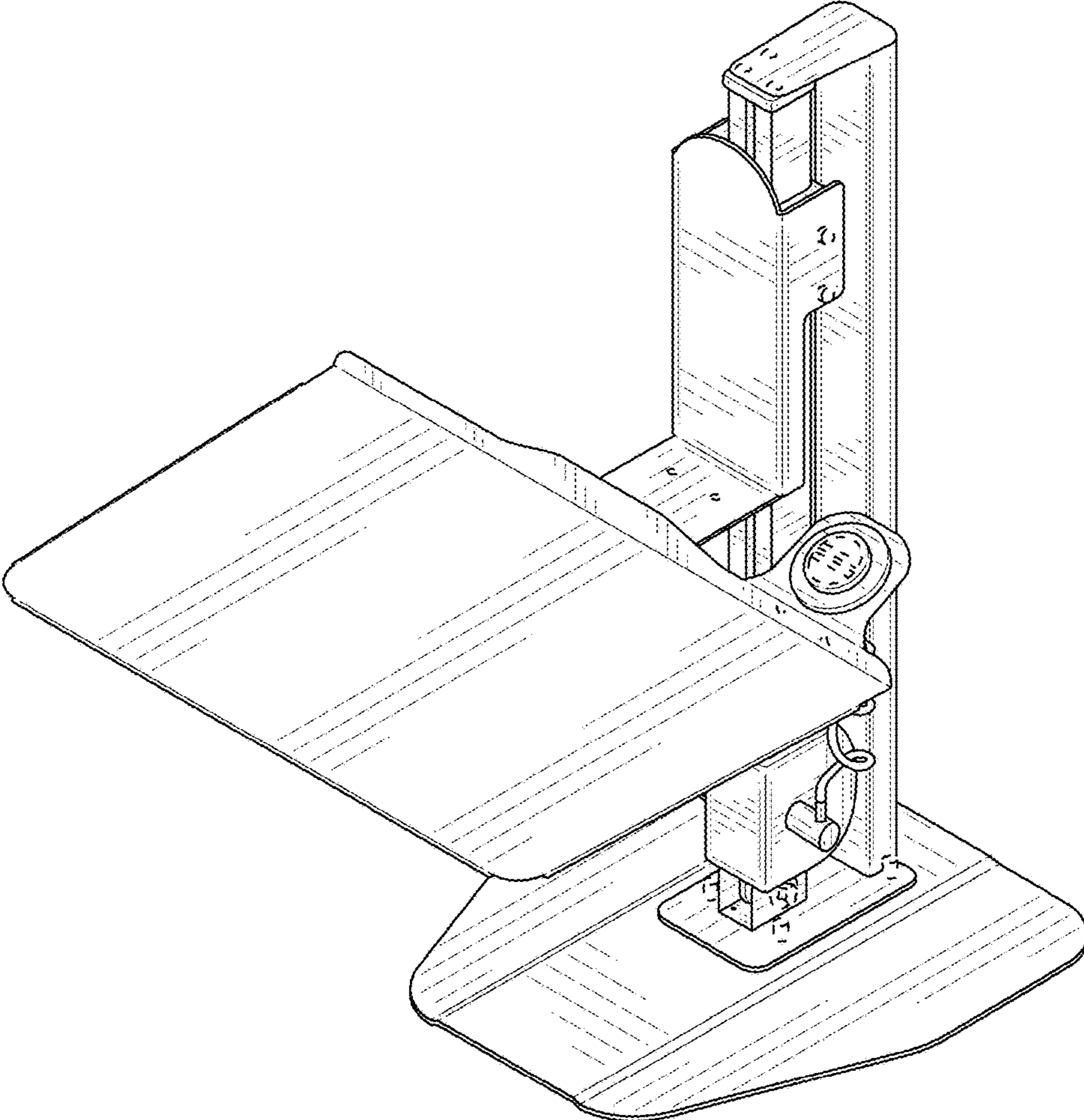


FIG. 22

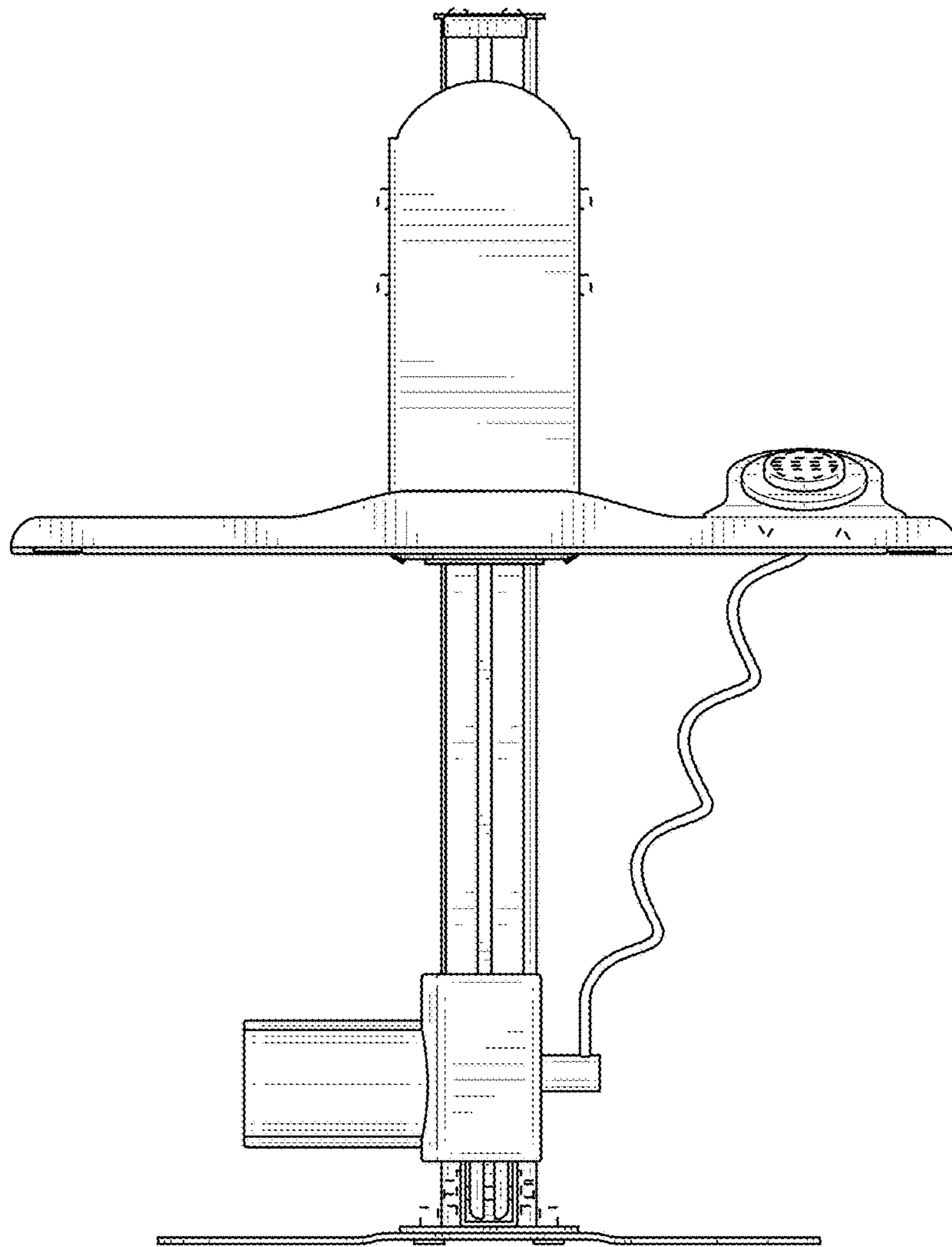


FIG. 23

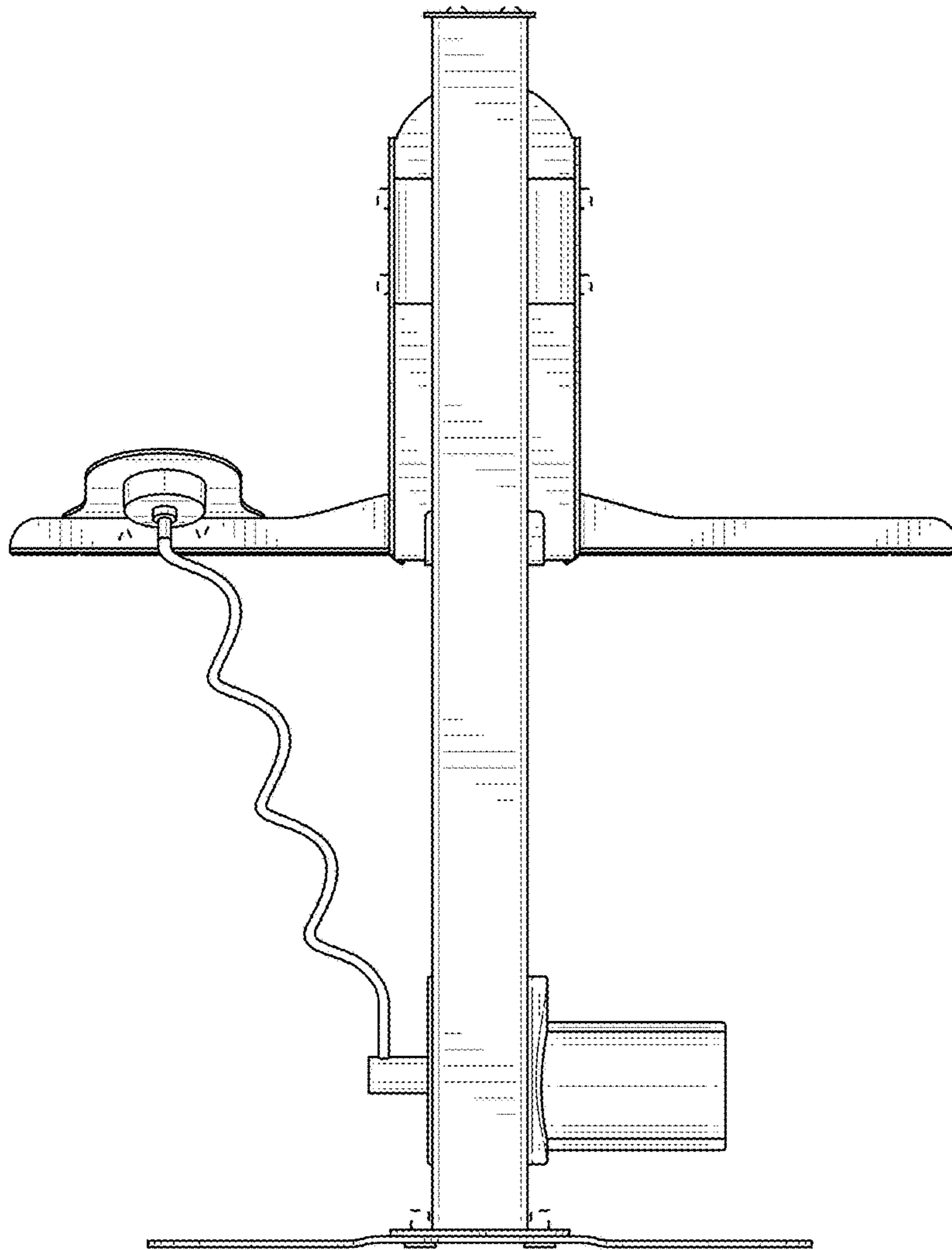


FIG. 24

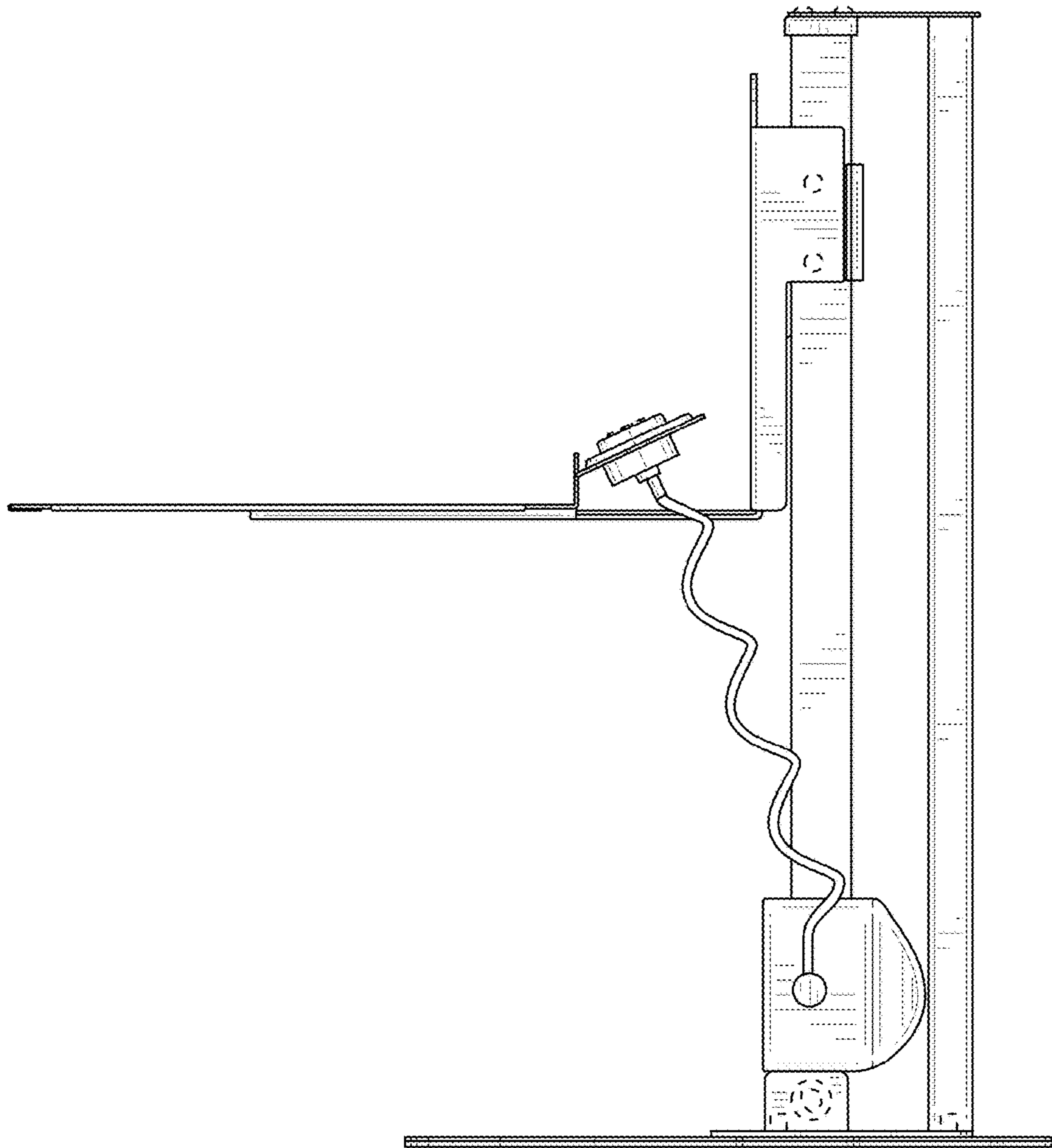


FIG. 25

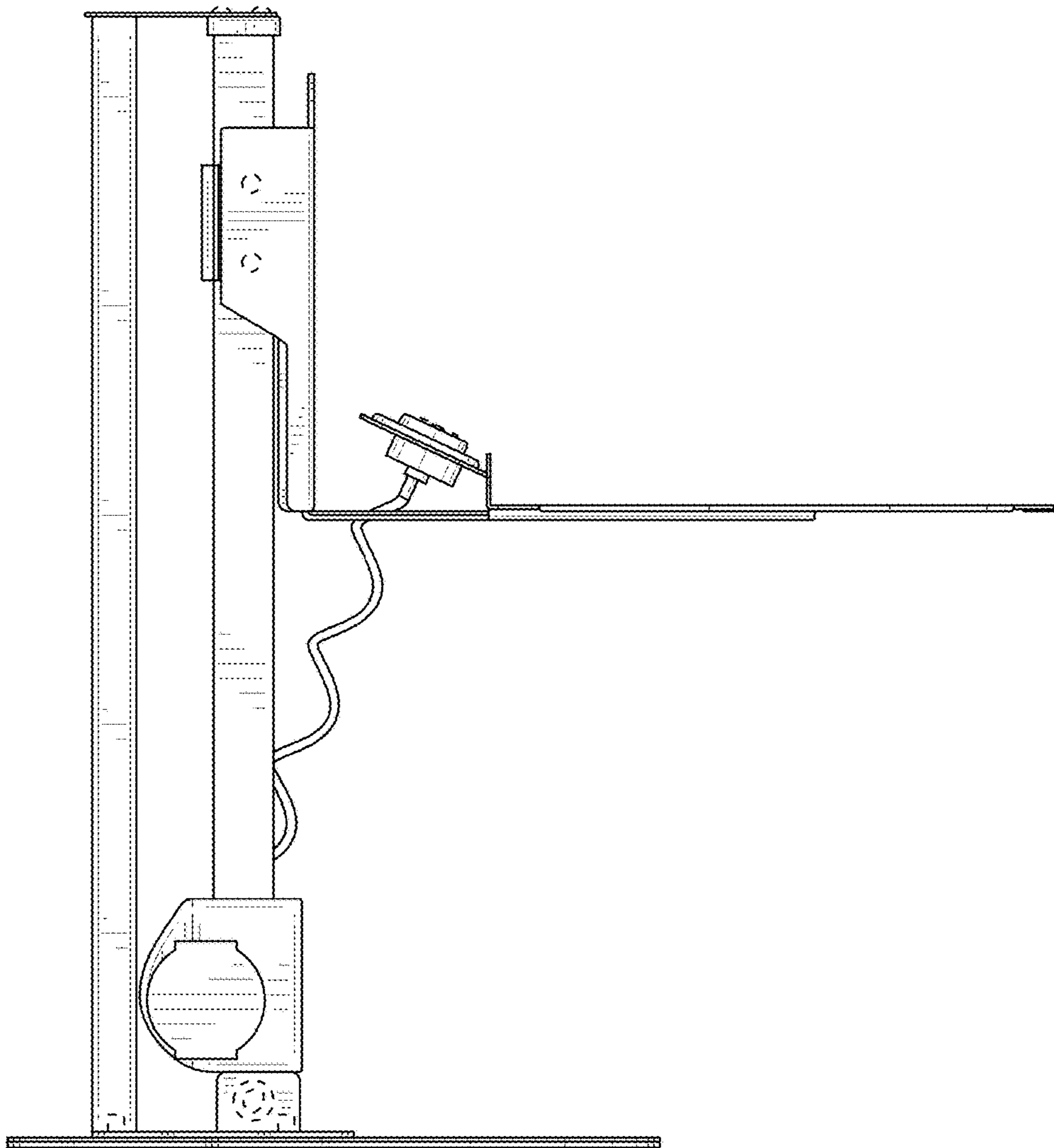


FIG. 26

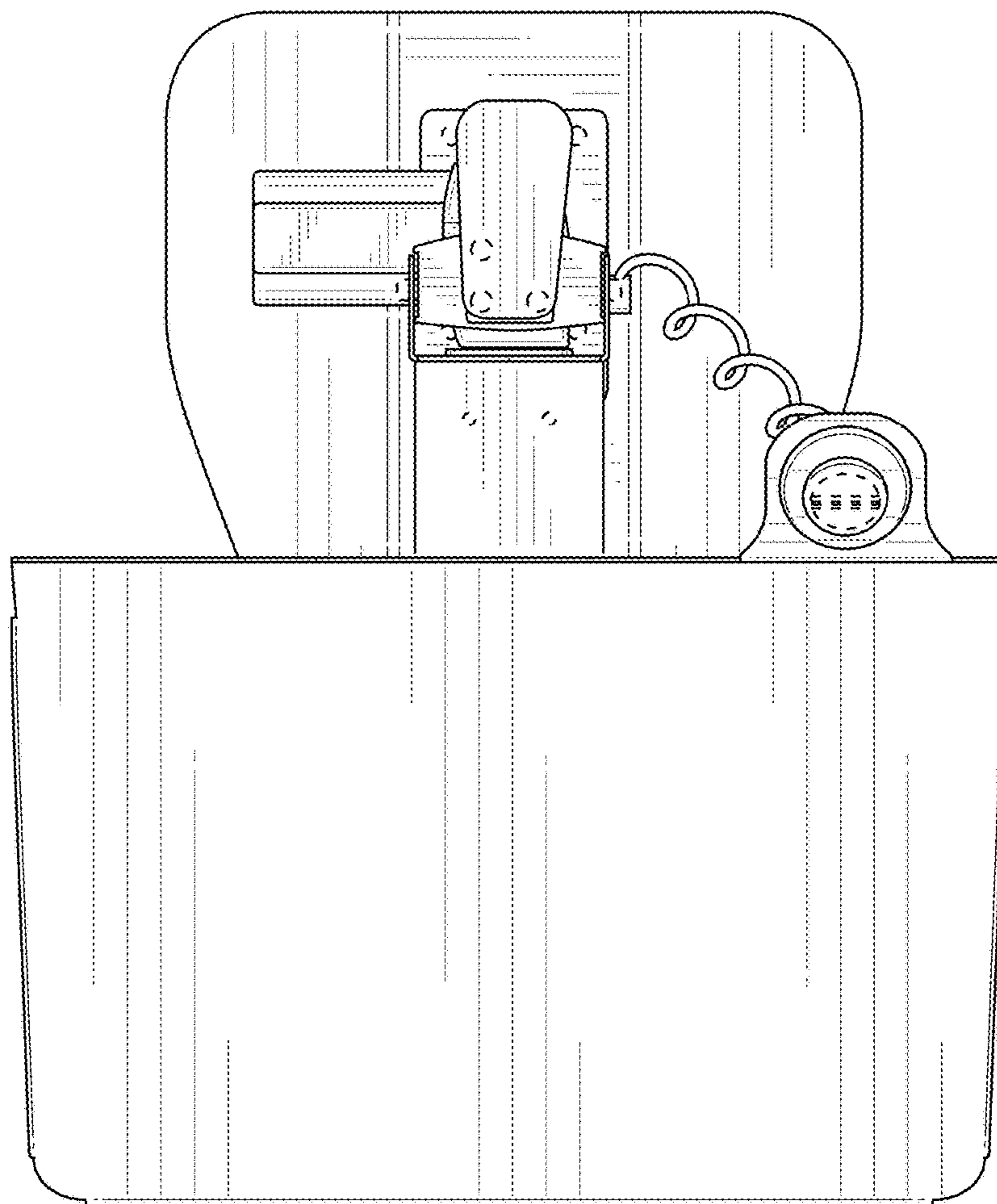


FIG. 27

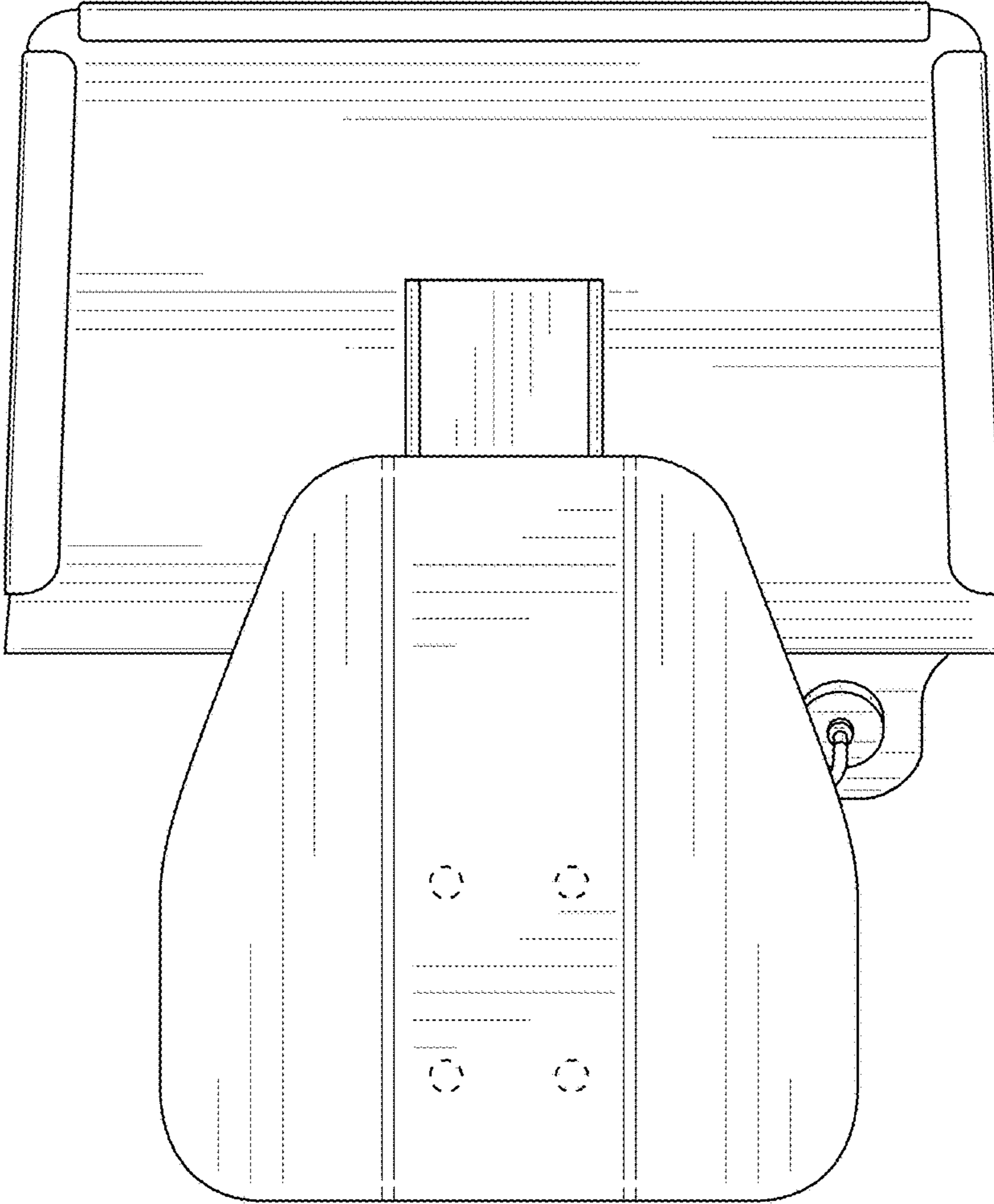


FIG. 28