



US00D841013S

(12) **United States Design Patent** (10) **Patent No.:** **US D841,013 S**  
**Ferren et al.** (45) **Date of Patent:** **\*\* Feb. 19, 2019**

(54) **CASE FOR PORTABLE ELECTRONIC DEVICE**

(71) Applicant: **Pioneer Square Brands, Inc.**, Seattle, WA (US)

(72) Inventors: **Michael Cooper Ferren**, Camas, WA (US); **Michael Heecheol Kim**, Seattle, WA (US); **Jaimie Emerald Chan**, Renton, WA (US); **David Adam**, Brentwood, CA (US)

(73) Assignee: **PIONEER SQUARE BRANDS, INC.**, McLean, VA (US)

(\*\*) Term: **15 Years**

(21) Appl. No.: **29/663,902**

(22) Filed: **Sep. 19, 2018**

(51) **LOC (11) Cl.** ..... **14-02**

(52) **U.S. Cl.**  
USPC ..... **D14/440**

(58) **Field of Classification Search**  
USPC ..... D14/440; 206/45.23, 320, 45.2; 361/679.55; 294/25; 224/218  
CPC ..... G06F 1/626; H04B 1/3555; H05K 5/0217  
See application file for complete search history.

(56) **References Cited**

**U.S. PATENT DOCUMENTS**

D574,385 S	8/2008	Koh et al.	
D574,836 S	8/2008	Koh et al.	
D636,396 S	4/2011	Li	
D641,756 S	7/2011	Hsieh et al.	
D643,843 S	8/2011	Hsieh et al.	
D665,168 S	8/2012	Dawson	
D668,660 S	10/2012	Norfolk	
D673,159 S	12/2012	McCarthy et al.	
D674,801 S	1/2013	Wharram	
D685,357 S	* 7/2013	Rekuc	D14/250

D688,249 S	8/2013	Wharram	
D689,851 S	* 9/2013	Chang	D14/250
D691,122 S	10/2013	Bau	
D694,759 S	12/2013	Chang et al.	
D695,298 S	12/2013	Han et al.	
D696,257 S	12/2013	Ward et al.	
D709,510 S	7/2014	Soare	
D716,280 S	* 10/2014	Macrina	D14/250
D716,282 S	10/2014	Melanson et al.	
D718,316 S	11/2014	Veltz et al.	
D719,145 S	* 12/2014	Barfoot	D14/250
D721,370 S	* 1/2015	Barfoot	D14/400
D729,252 S	5/2015	Smith et al.	
D729,811 S	5/2015	Alis	
D731,494 S	* 6/2015	Barfoot	D14/440
D733,154 S	* 6/2015	Armstrong	D14/440

(Continued)

**OTHER PUBLICATIONS**

Design U.S. Appl. No. 29/657,401 Portable Electronic Device Case, Michael Heecheol Kim, et al. filed Jul. 20, 2018.

(Continued)

*Primary Examiner* — Cynthia R Underwood  
(74) *Attorney, Agent, or Firm* — Grandview Law

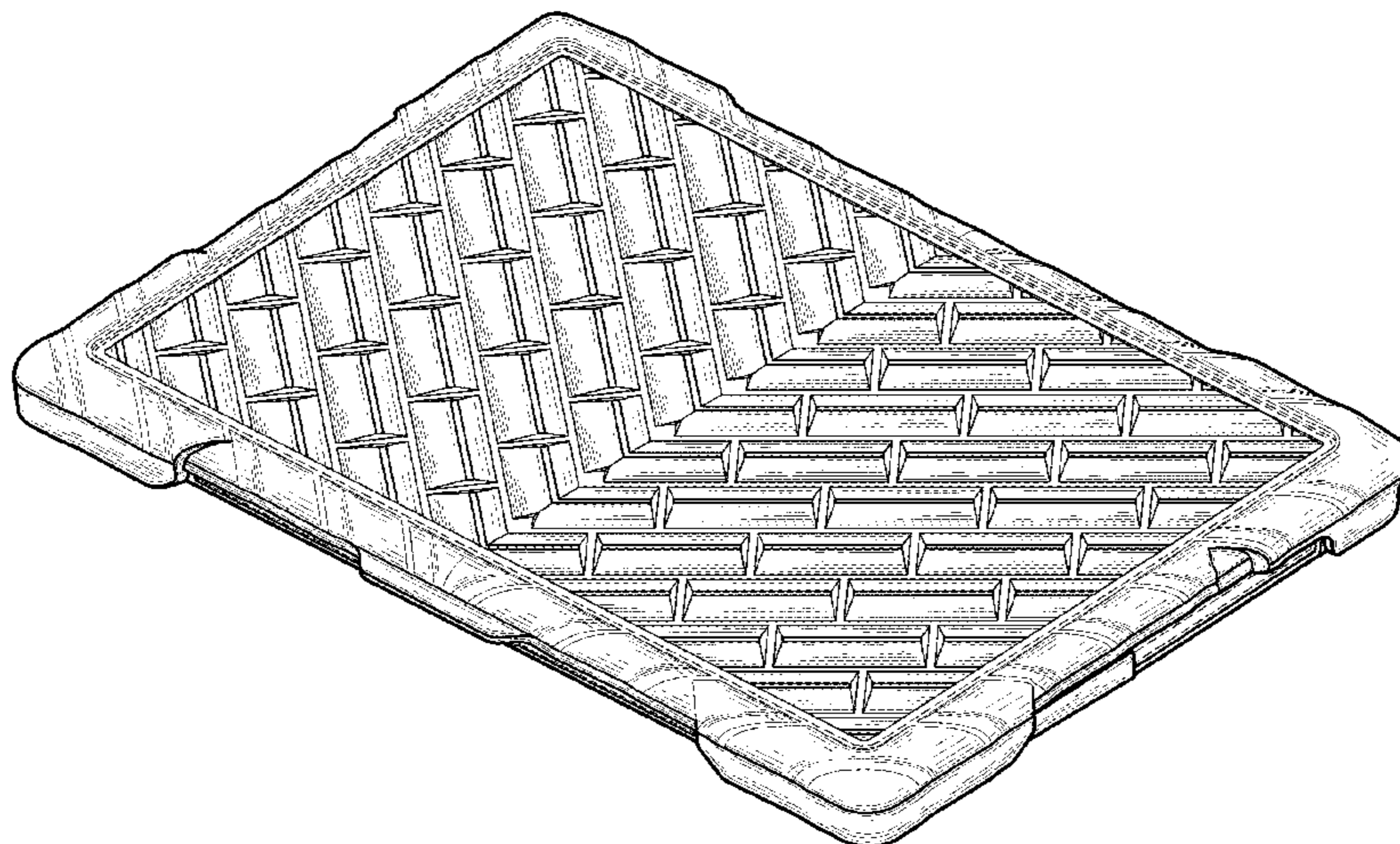
(57) **CLAIM**

The ornamental design for a case for portable electronic device, as shown and described.

**DESCRIPTION**

FIG. 1 is a top perspective view of a first embodiment. FIG. 2 is a top plan view thereof. FIG. 3 is a bottom plan view thereof. FIG. 4 is a front elevational view thereof. FIG. 5 is a rear elevational view thereof. FIG. 6 is a left elevational view thereof; and, FIG. 7 is a right elevational view thereof. The features shown in broken lines in the drawing figures depict features that form no part of the claimed design.

**1 Claim, 3 Drawing Sheets**



(56)

References Cited

U.S. PATENT DOCUMENTS

D734,761 S 7/2015 Ballou et al.  
 D745,505 S \* 12/2015 Barfoot ..... D14/250  
 D745,525 S \* 12/2015 Bates ..... D14/440  
 D763,854 S 8/2016 Donke et al.  
 D763,856 S 8/2016 Moore  
 D766,249 S \* 9/2016 Veltz ..... D14/440  
 D770,458 S 11/2016 Corcoran et al.  
 D775,132 S 12/2016 Smith et al.  
 D777,727 S 1/2017 Maicon et al.  
 D782,460 S \* 3/2017 Bertrand ..... D14/250  
 D789,937 S 6/2017 Zhang  
 D791,773 S 7/2017 Moore et al.  
 D794,625 S 8/2017 Armstrong et al.  
 D795,878 S 8/2017 English et al.  
 D795,880 S \* 8/2017 Akana ..... D14/440  
 D795,881 S \* 8/2017 Akana ..... D14/440  
 D800,105 S \* 10/2017 Roberts ..... D14/250  
 D806,082 S 12/2017 Armstrong et al.  
 D808,395 S \* 1/2018 Fenton ..... D14/440  
 D811,410 S 2/2018 Bumester  
 D812,065 S 3/2018 Shim

D812,618 S 3/2018 Altaras  
 D812,619 S 3/2018 Altaras  
 D816,651 S 5/2018 Chiang et al.  
 D817,334 S \* 5/2018 Fenton ..... D14/440  
 D817,944 S 5/2018 Akana et al.  
 D821,380 S 6/2018 Cramer et al.  
 D821,382 S 6/2018 Livingston  
 D822,014 S 7/2018 Han  
 D823,297 S 7/2018 Kim et al.  
 D825,571 S \* 8/2018 Shannon, III ..... D14/440  
 D827,630 S 9/2018 Ahn  
 D828,842 S 9/2018 Mecchella et al.  
 D829,721 S \* 10/2018 Zhang ..... D14/440  
 2015/0068934 A1 \* 3/2015 Armstrong ..... A45C 11/00  
 206/320  
 2017/0045920 A1 \* 2/2017 Armstrong ..... G06F 1/1669

OTHER PUBLICATIONS

Design U.S. Appl. No. 29/663,067 Portable Electronic Device Case,  
 Michael Heecheol Kim, et al. filed Sep. 11, 2018.

\* cited by examiner

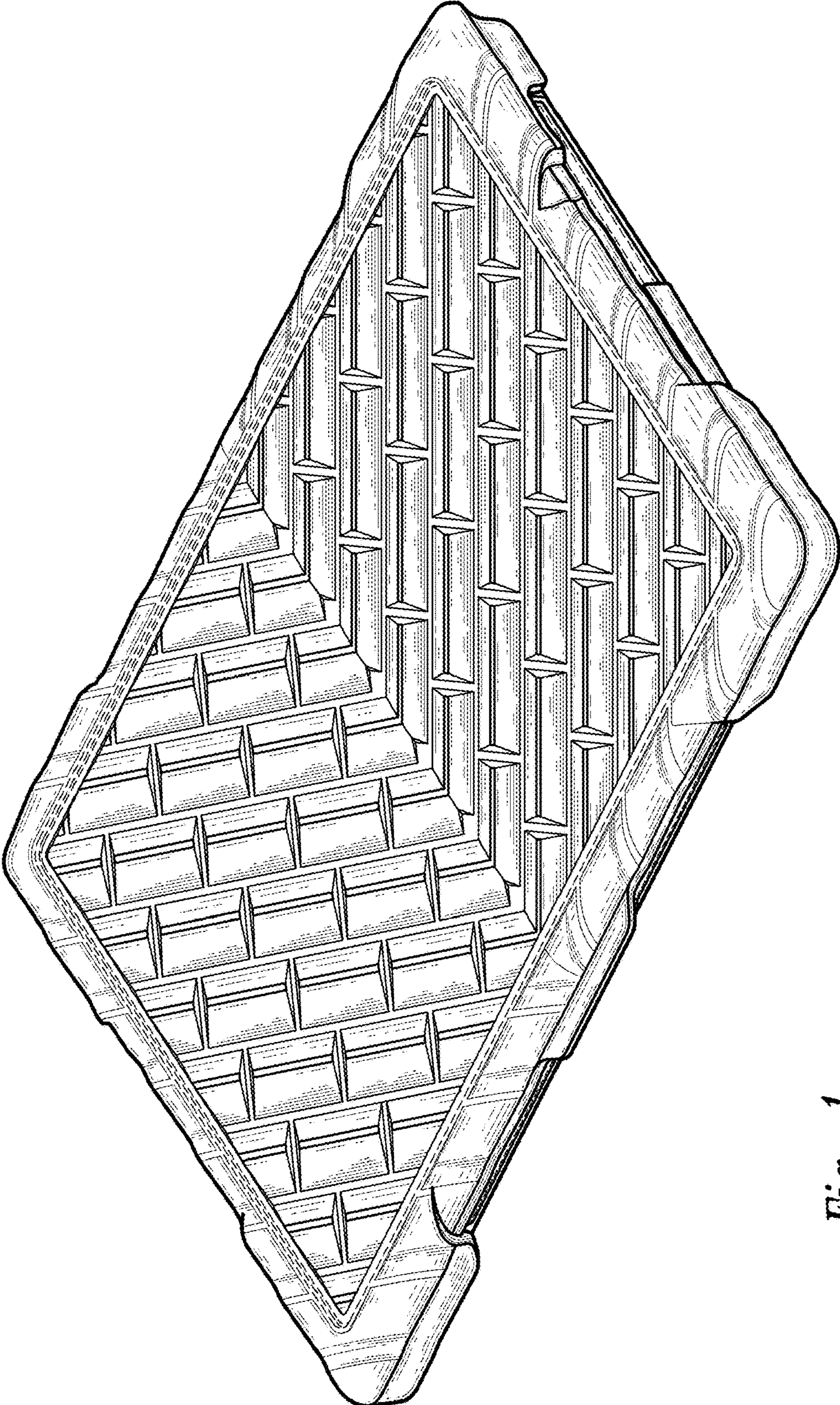
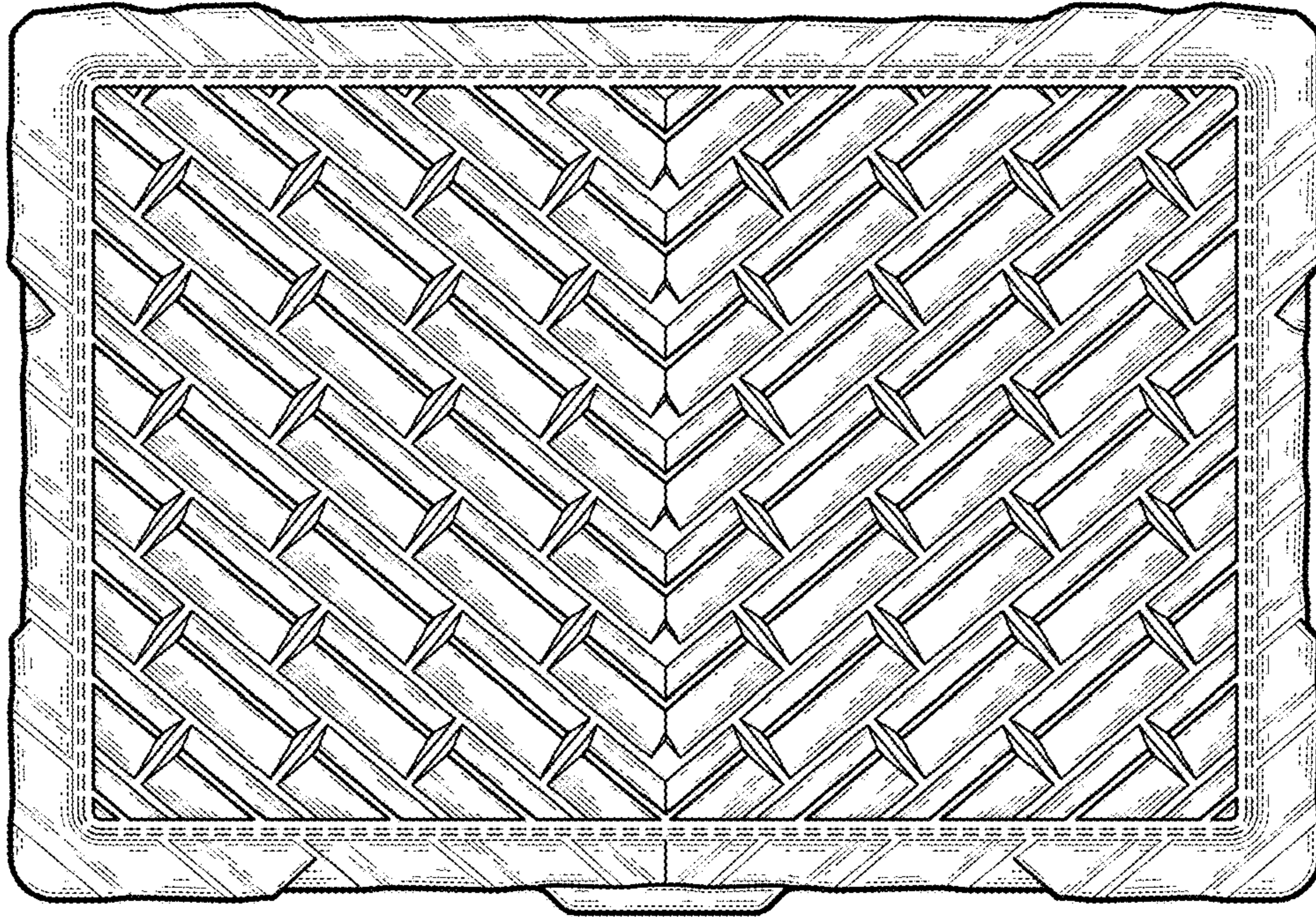


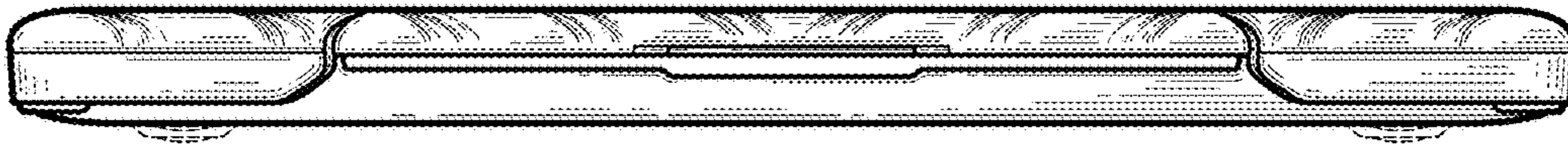
Fig. 1



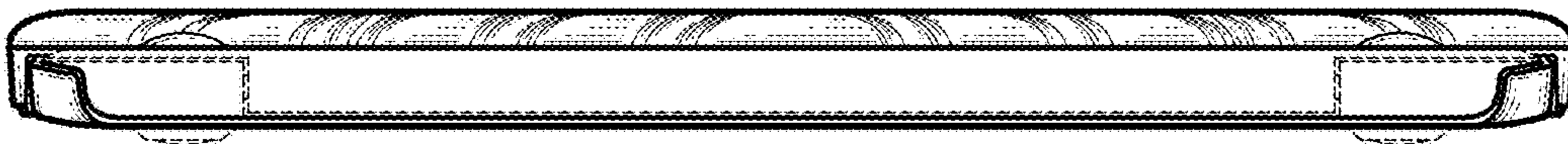
*Fig. 2*



*Fig. 3*



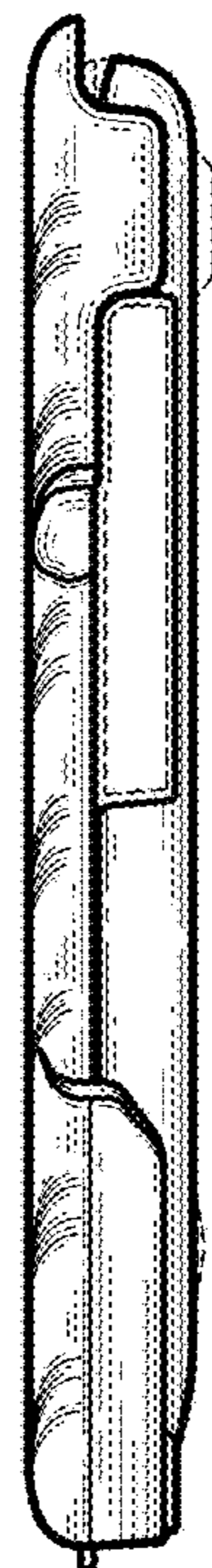
*Fig. 4*



*Fig. 5*



*Fig. 6*



*Fig. 7*