



US00D841011S

(12) **United States Design Patent** (10) **Patent No.:** **US D841,011 S**
Mecchella et al. (45) **Date of Patent:** **** Feb. 19, 2019**

(54) **ELECTRONIC DEVICE COVER**
(71) Applicant: **Amazon Technologies, Inc.**, Seattle, WA (US)
(72) Inventors: **Monica Liane Mecchella**, San Francisco, CA (US); **Jesse Wheeler Moore**, Oakland, CA (US)
(73) Assignee: **Amazon Technologies, Inc.**, Seattle, WA (US)
(**) Term: **15 Years**
(21) Appl. No.: **29/575,211**
(22) Filed: **Aug. 23, 2016**
(51) **LOC (11) Cl.** **14-02**
(52) **U.S. Cl.**
USPC **D14/440**
(58) **Field of Classification Search**
USPC D14/440; 206/45.23, 320, 45.2; 361/679.55; 294/25
CPC ... G06F 1/1628; G06F 1/1626; A47B 23/044; H04B 1/3888
See application file for complete search history.

(56) **References Cited**
U.S. PATENT DOCUMENTS
7,337,565 B2 * 3/2008 Tsutsumi G02F 1/134327 340/815.53
D625,698 S * 10/2010 Miyazaki D14/138 AB
D626,528 S * 11/2010 Park D14/138 AB
D630,179 S * 1/2011 Park D14/138 AA
D669,457 S * 10/2012 Li D14/248
D673,159 S * 12/2012 McCarthy D14/440
D693,823 S * 11/2013 Chen D14/440
D704,685 S * 5/2014 Yeh D14/248

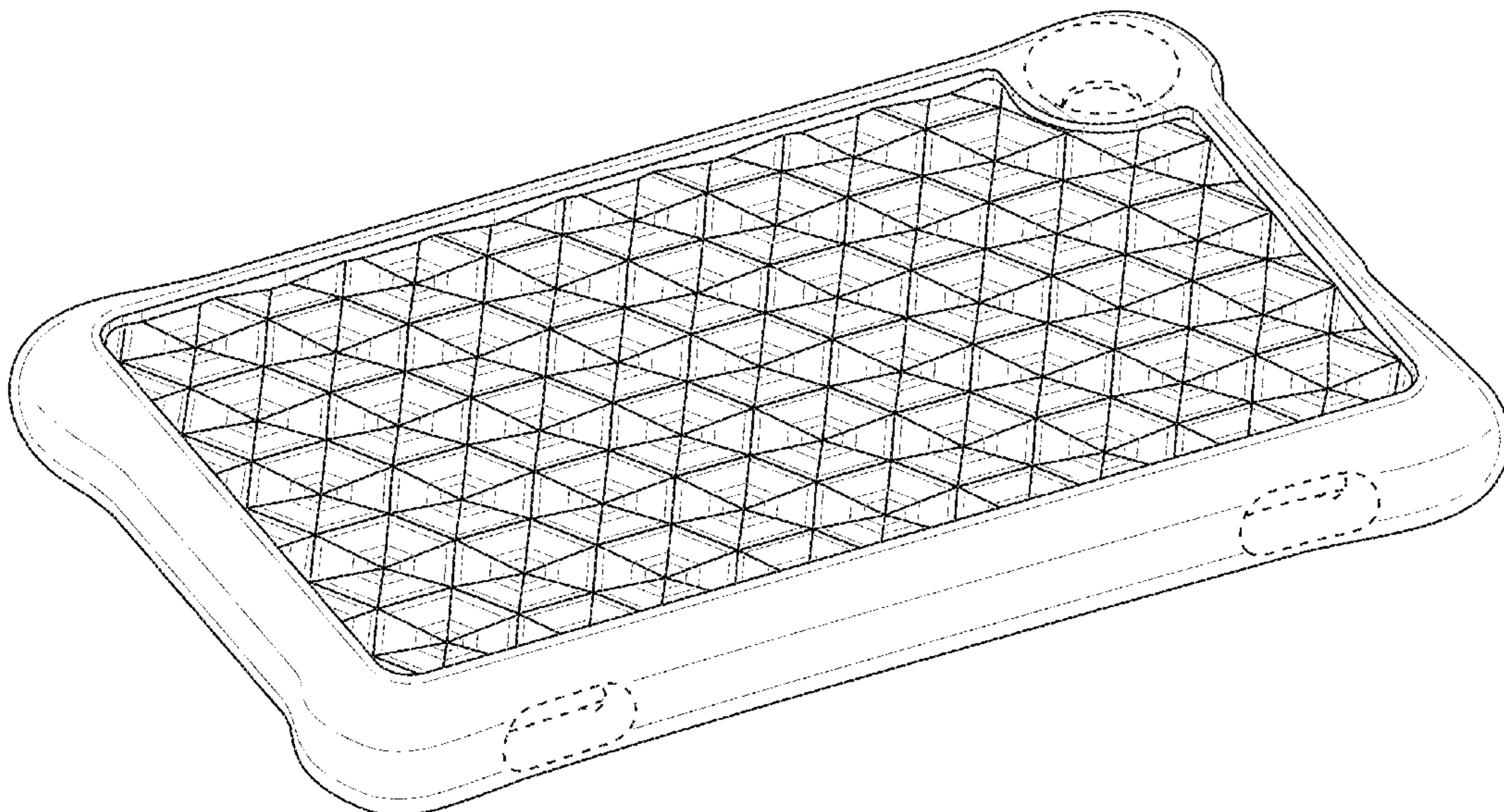
D713,847 S * 9/2014 Su D14/440
D720,736 S * 1/2015 Chen D14/250
D720,737 S * 1/2015 Chen D14/250
D729,811 S * 5/2015 Alis D14/440
D766,885 S * 9/2016 Armstrong D14/250
D772,234 S * 11/2016 Massucco D14/440
D825,571 S * 8/2018 Shannon, III D14/440
2003/0003956 A1 * 1/2003 Maenpaa H04M 1/0202 455/556.1
2010/0089779 A1 * 4/2010 Bowers A45C 7/0095 206/320
2012/0261289 A1 * 10/2012 Wyner A45C 11/00 206/320

* cited by examiner
Primary Examiner — Cynthia R Underwood
(74) *Attorney, Agent, or Firm* — Lee & Hayes, P.C.

(57) **CLAIM**
The ornamental design for an electronic device cover, as shown and described.

DESCRIPTION
FIG. 1 is a front perspective view of an electronic device cover;
FIG. 2 is a back perspective view thereof;
FIG. 3 is a front view thereof;
FIG. 4 is a back view thereof;
FIG. 5 is top view thereof;
FIG. 6 is a bottom view thereof;
FIG. 7 is a cross-sectional view of the electronic device cover taken along the line 7-7 shown in of FIG. 3.
FIG. 8 is a left-side view thereof; and,
FIG. 9 is a right-side view thereof.
The broken lines depict portions of the electronic device cover which form no part of the claimed design.

1 Claim, 6 Drawing Sheets



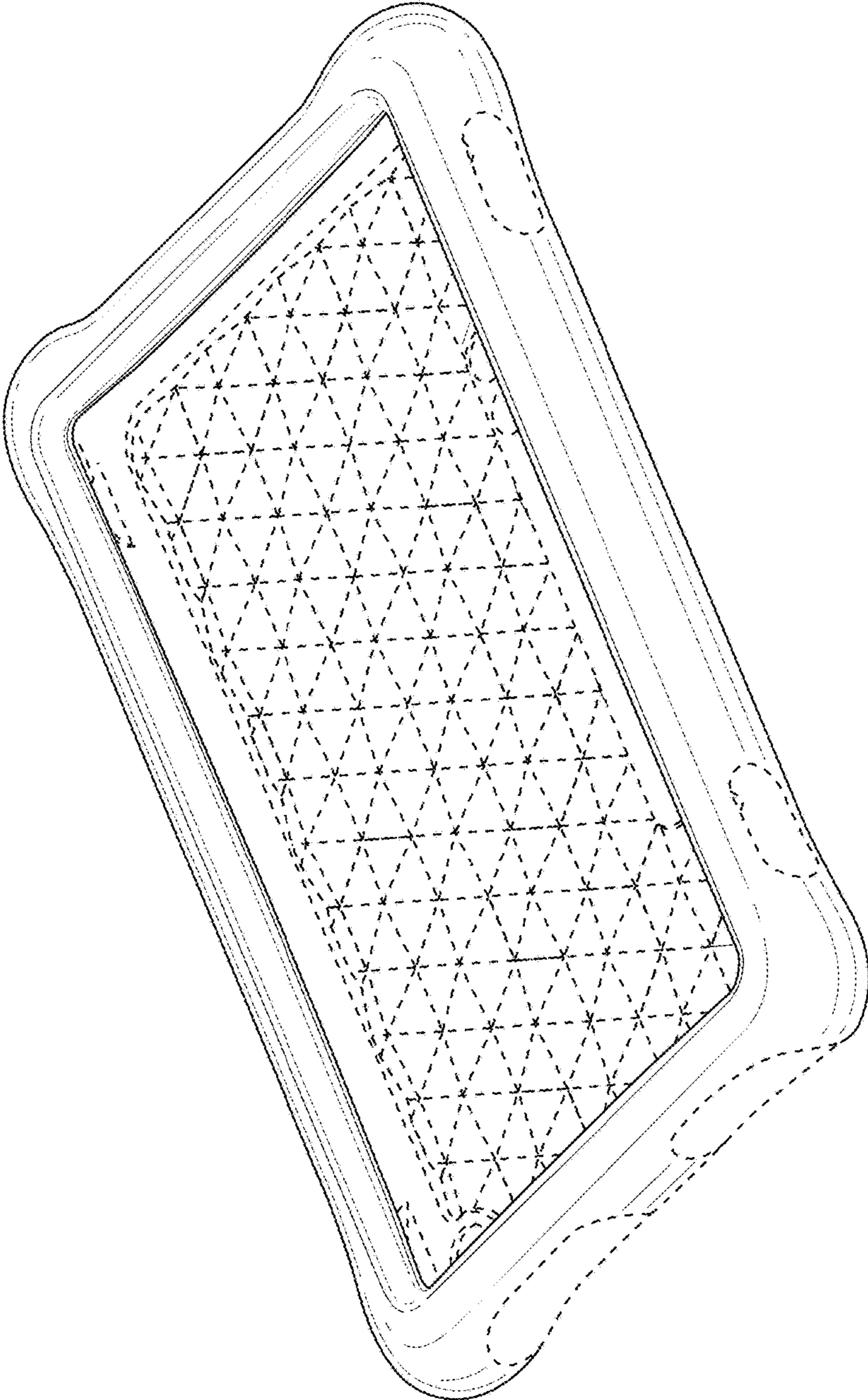


FIG. 1

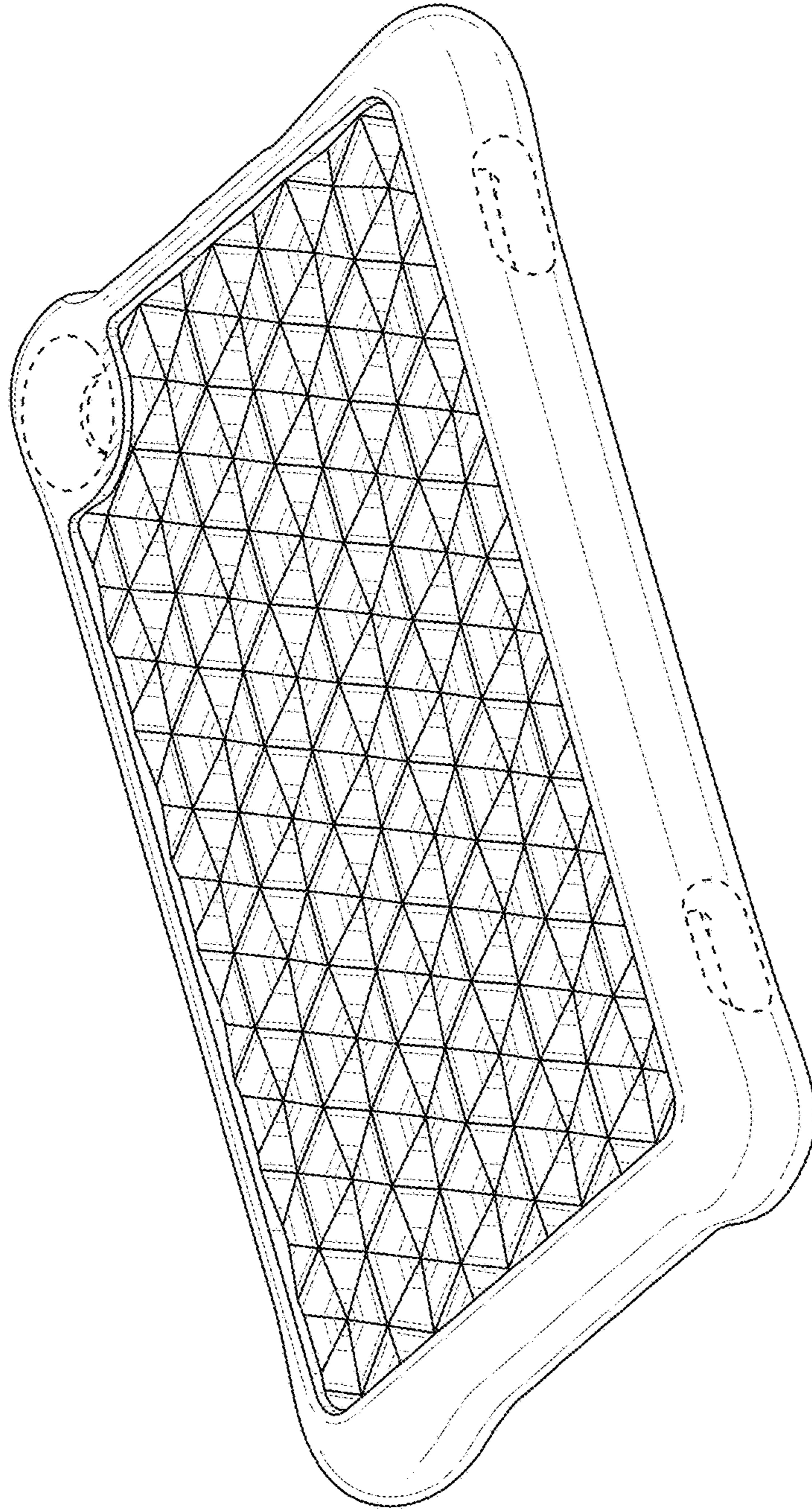


FIG. 2

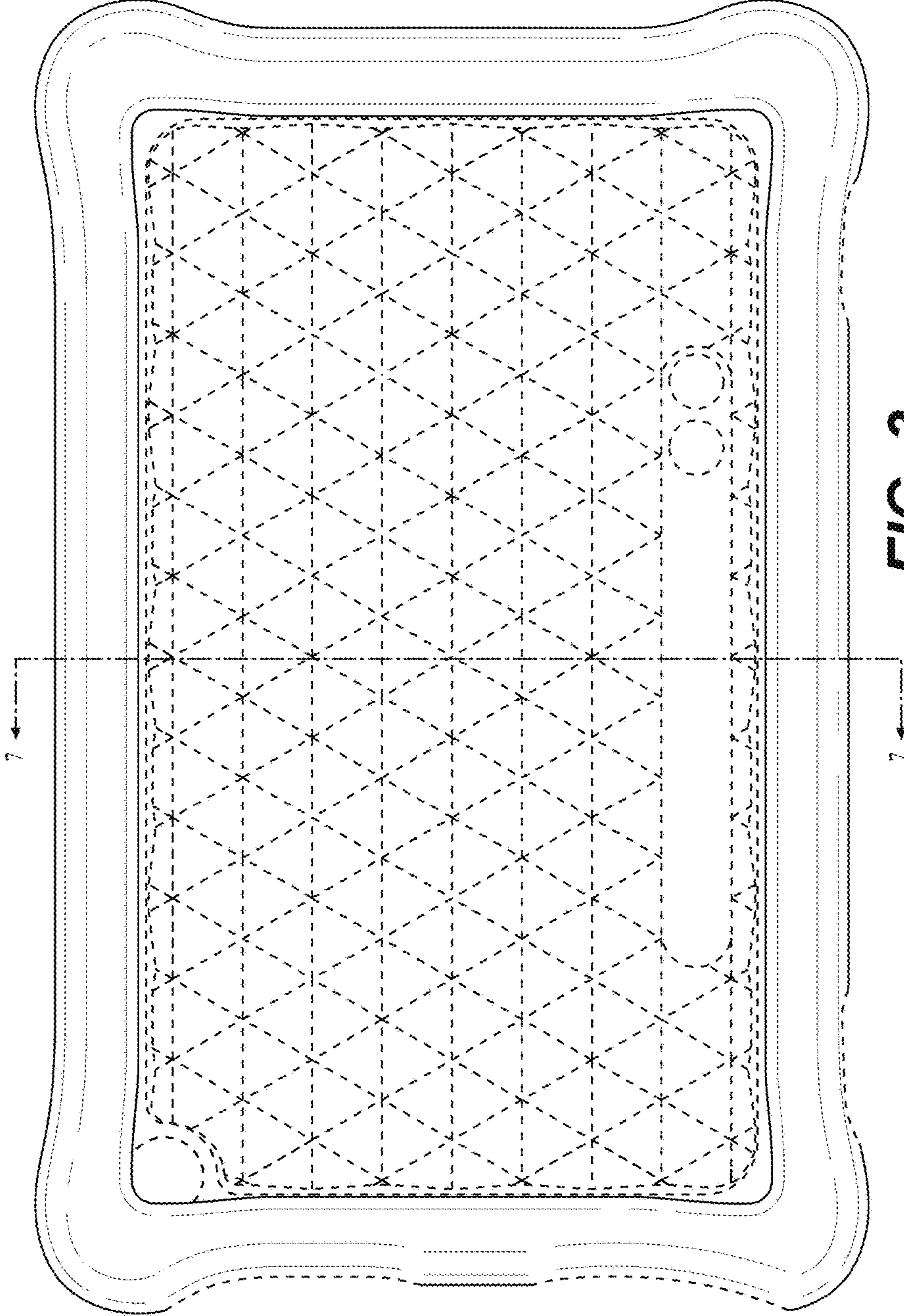


FIG. 3

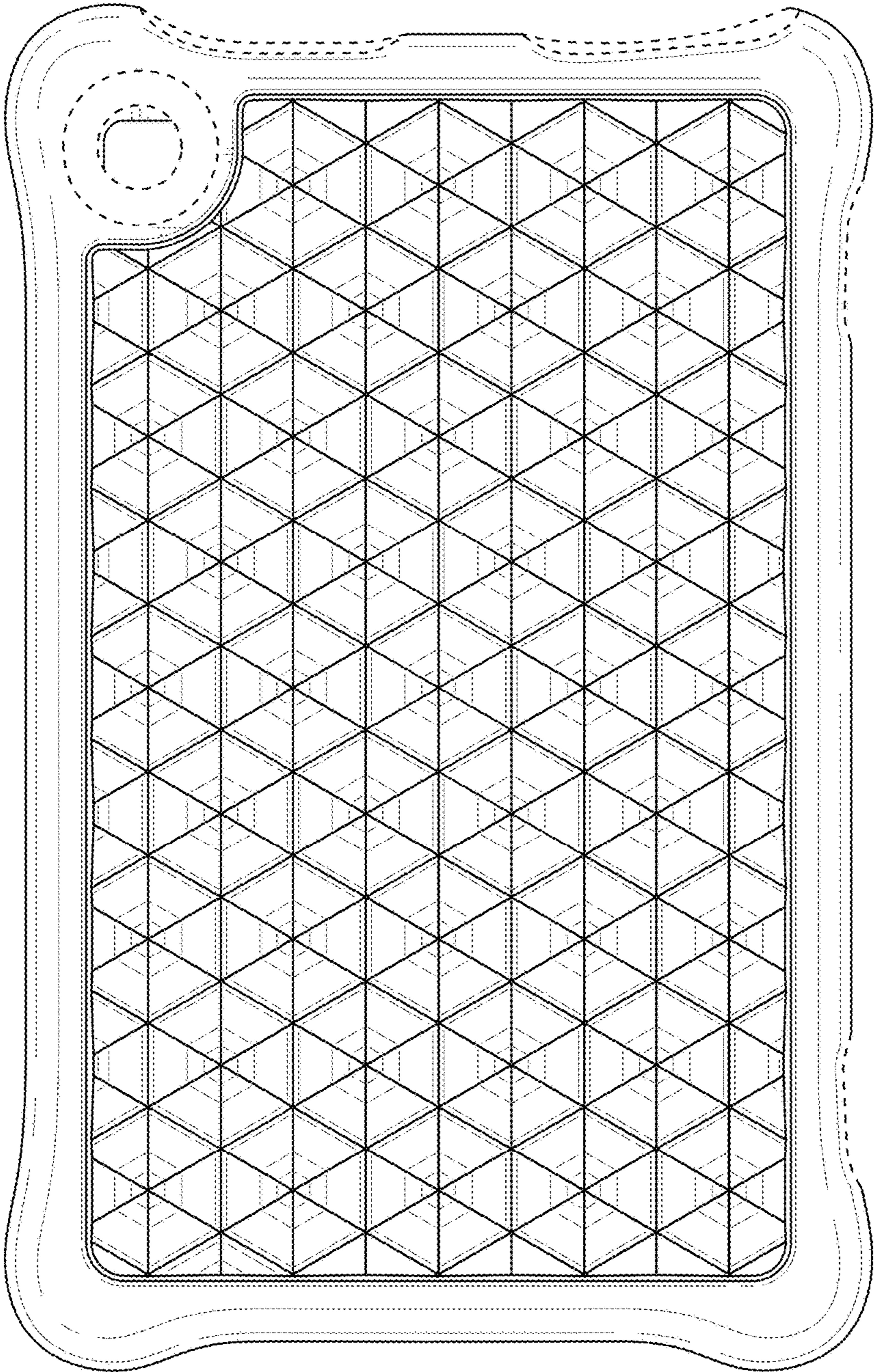


FIG. 4

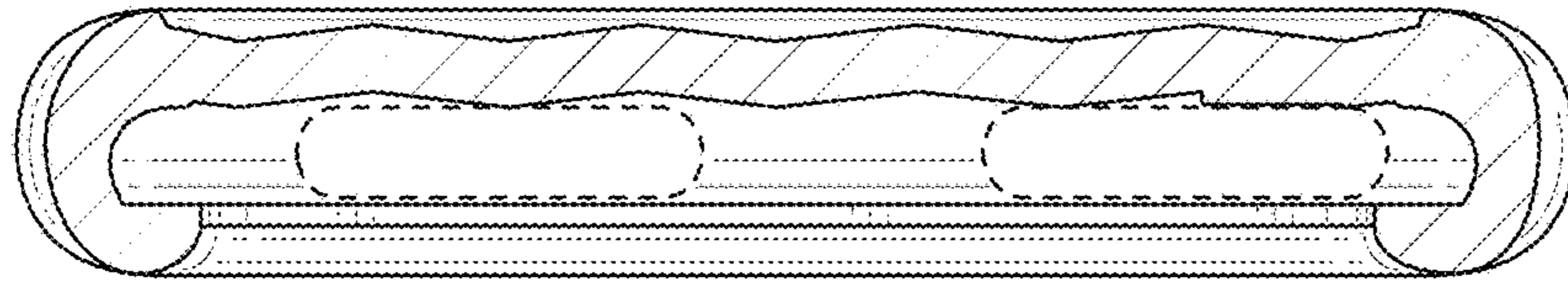


FIG. 7

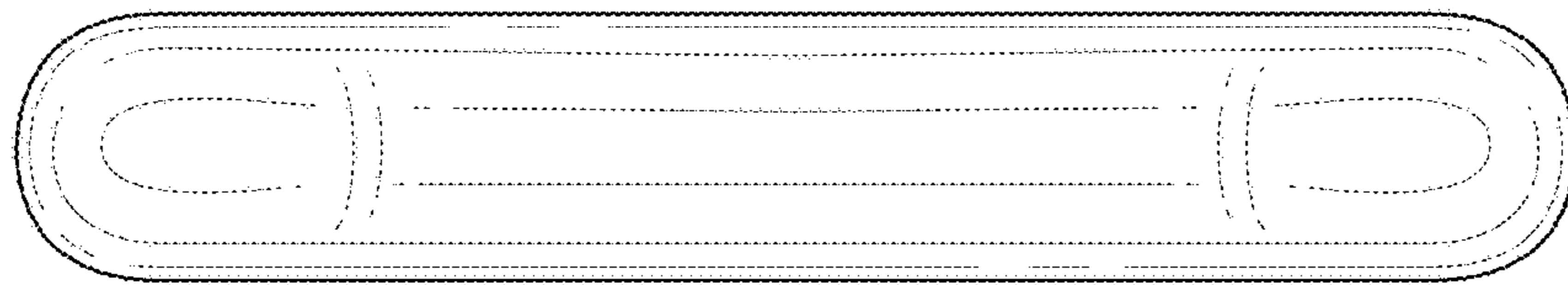


FIG. 6

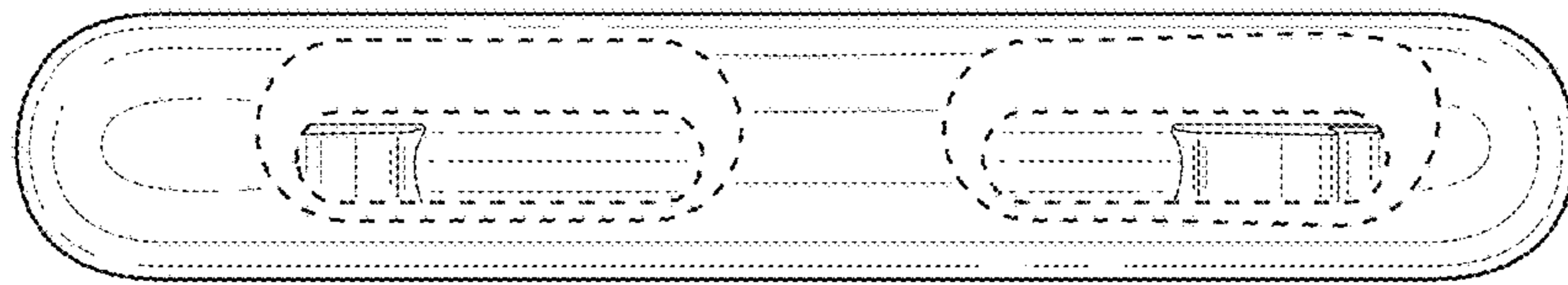


FIG. 5

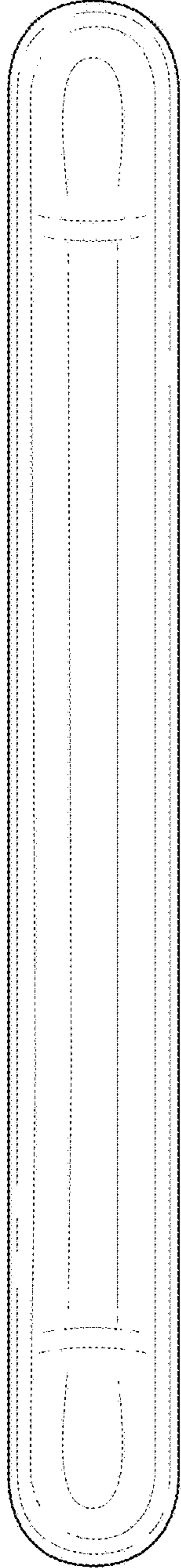


FIG. 8

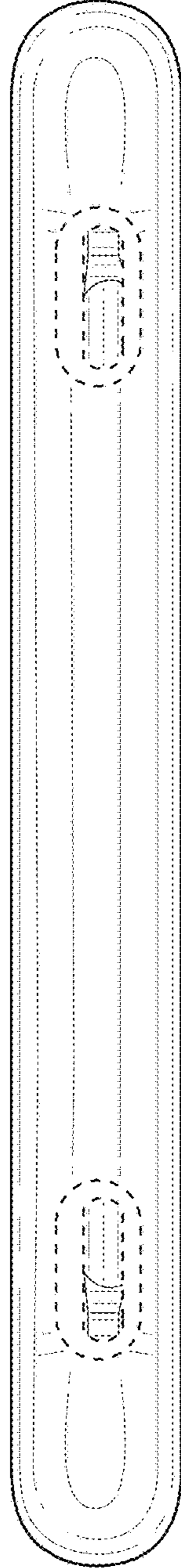


FIG. 9