



US00D841008S

(12) **United States Design Patent** (10) **Patent No.:** **US D841,008 S**
Yu (45) **Date of Patent:** **** Feb. 19, 2019**

(54) **NON-SLIP CONNECTOR**

(71) Applicant: **Guangzhou Huisheng Electronics Technology Co., Ltd., Guangzhou (CN)**

(72) Inventor: **Huansheng Yu, Guangzhou (CN)**

(**) Term: **15 Years**

(21) Appl. No.: **29/668,804**

(22) Filed: **Nov. 2, 2018**

(51) **LOC (11) Cl.** **14-02**

(52) **U.S. Cl.**
USPC **D14/433**

(58) **Field of Classification Search**
USPC D14/240, 242, 356, 358, 363, 365, 367, D14/370, 432-437, 439, 498, 125, 366, D14/168, 496; D13/147, 164, 123, 133, D13/146, 110, 199, 103, 162, 159, 160, D13/184; 361/683, 684, 686, 724, 735, 361/737, 752; D18/40
CPC H01R 25/006; H01R 27/02; H01R 31/005; G06F 13/4022; G06F 13/382; G06F 1/1632; G06F 1/1684; G06F 1/20; G06F 1/1607
See application file for complete search history.

(56) **References Cited**

U.S. PATENT DOCUMENTS

- D338,193 S * 8/1993 Sasaki D13/147
- D450,041 S * 11/2001 Nakashima D13/153
- D470,499 S * 2/2003 Salazar A01K 11/004
D14/433
- D543,945 S 6/2007 Ho et al.
- D574,822 S 8/2008 Bhavnani
- D707,680 S * 6/2014 Akana D14/433
- D707,681 S * 6/2014 Akana D14/433
- D727,907 S * 4/2015 Higashi D14/433
- D729,806 S * 5/2015 Park D14/433
- D731,488 S * 6/2015 Lee D14/433
- D732,035 S * 6/2015 Akana D14/433

- D733,142 S * 6/2015 Solomon D14/433
- D734,272 S * 7/2015 Dang D13/153
- D743,965 S * 11/2015 Laffon de Mazieres D13/154
- D744,428 S * 12/2015 Rodriguez D13/147
- D746,291 S * 12/2015 Solomon D14/433
- D761,262 S * 7/2016 Solomon D14/433
- D770,456 S * 11/2016 Akana D14/433
- D772,231 S * 11/2016 Lee D13/133

(Continued)

FOREIGN PATENT DOCUMENTS

EP 0025892750005 12/2014

Primary Examiner — Austin Murphy

(74) *Attorney, Agent, or Firm* — Wayne. V. Harper

(57) **CLAIM**

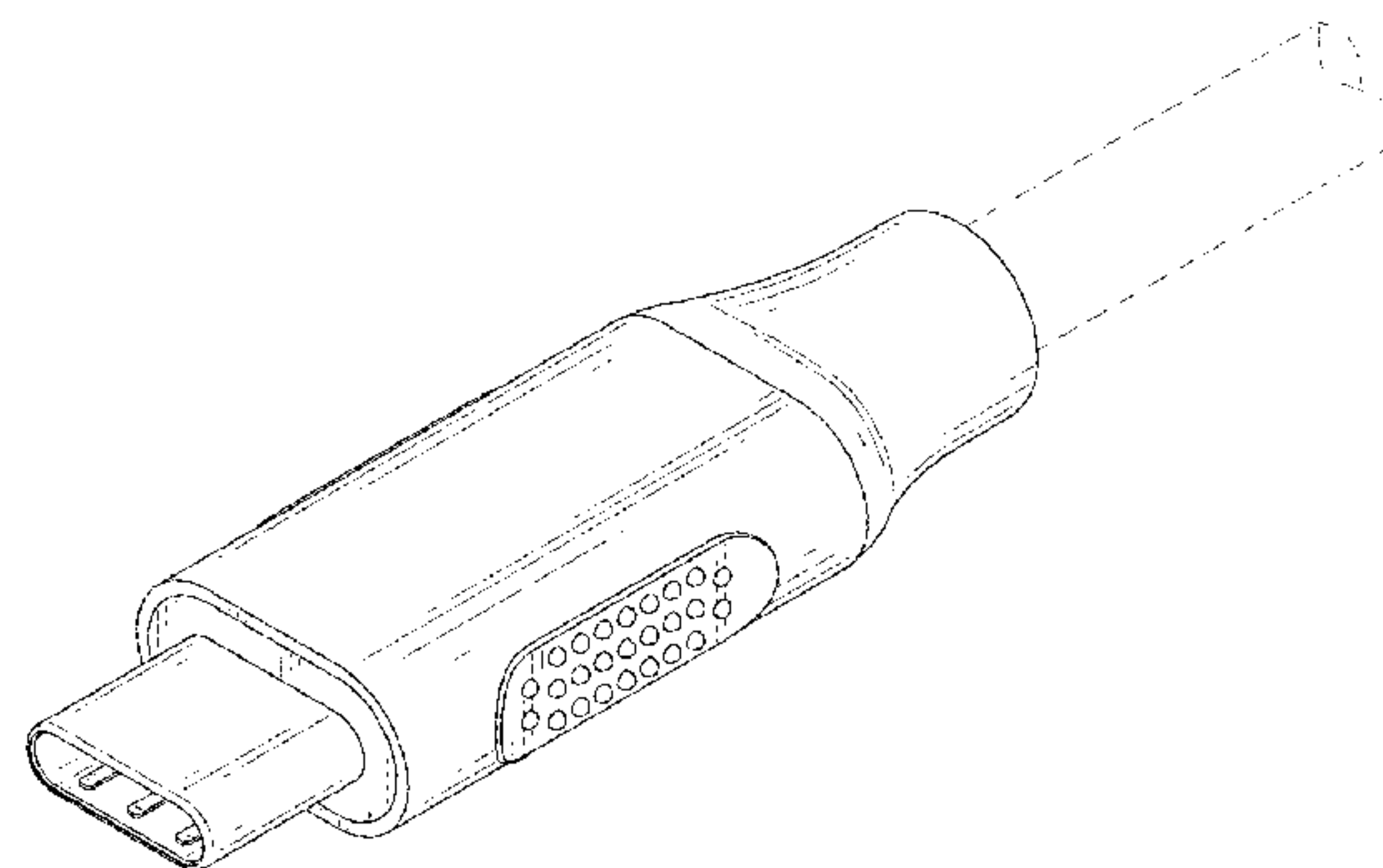
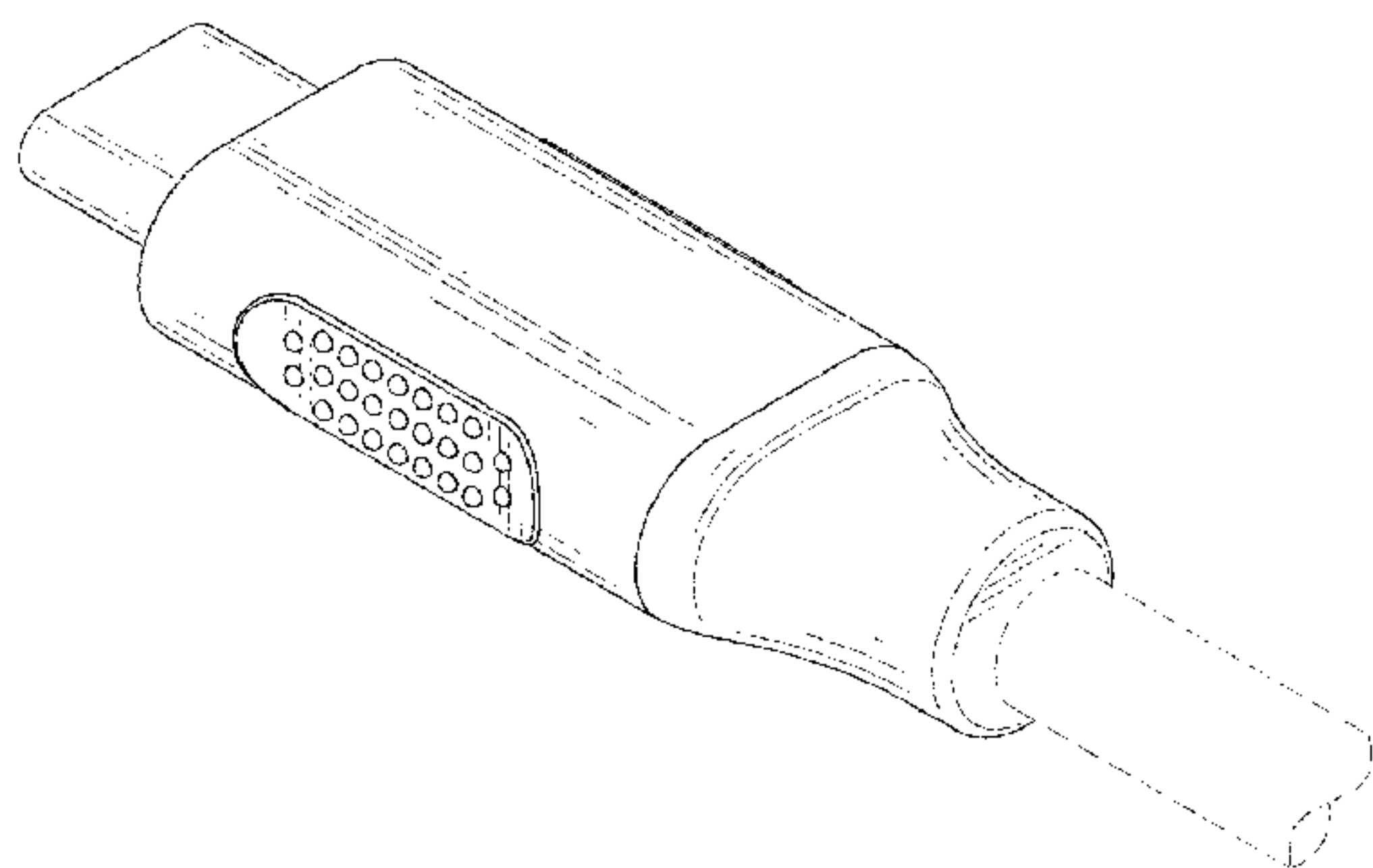
I claim the ornamental design for a non-slip connector, as shown and described.

DESCRIPTION

FIG. 1 is a back-perspective view of a non-slip connector showing my new design;
 FIG. 2 is a front perspective view of the non-slip as shown in FIG. 1;
 FIG. 3 is a top-side view of the non-slip connector as shown in FIG. 1;
 FIG. 4 is a bottom-side view of the non-slip connector as shown in FIG. 1;
 FIG. 5 is a left-side view of the non-slip connector as shown in FIG. 1;
 FIG. 6 is a right-side view of the non-slip connector as shown in FIG. 1;
 FIG. 7 is a front-side view of the non-slip connector as shown in FIG. 1; and,
 FIG. 8 is a back-side view of the non-slip connector as shown in FIG. 1.

The Dotted lines are only for environmental purposes and form no part of the claimed design. No particular colour scheme forms part of the claimed design.

1 Claim, 8 Drawing Sheets



(56)

References Cited

U.S. PATENT DOCUMENTS

D779,492 S *	2/2017	Lin	D14/433
D784,340 S *	4/2017	Laffon de Mazieres	D14/433
D800,731 S *	10/2017	He	D14/433
D810,748 S *	2/2018	Zhang	D14/433
D810,749 S *	2/2018	Zhang	D14/433
D824,388 S *	7/2018	Fawcett	D14/433
D824,909 S *	8/2018	Namala	D14/433
D832,263 S *	10/2018	Chen	D14/433
D832,849 S *	11/2018	Kim	D14/433

* cited by examiner

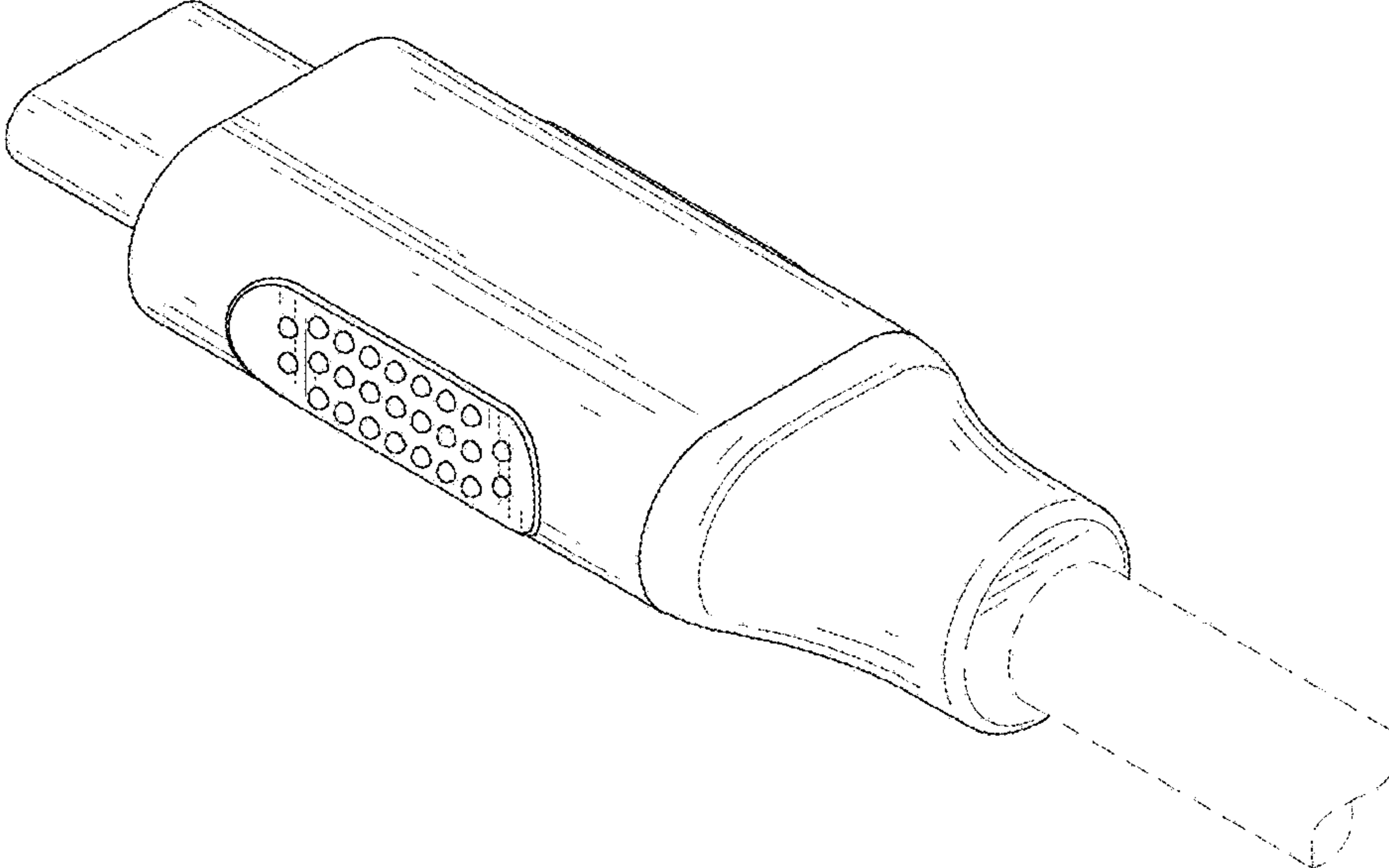


FIG. 1

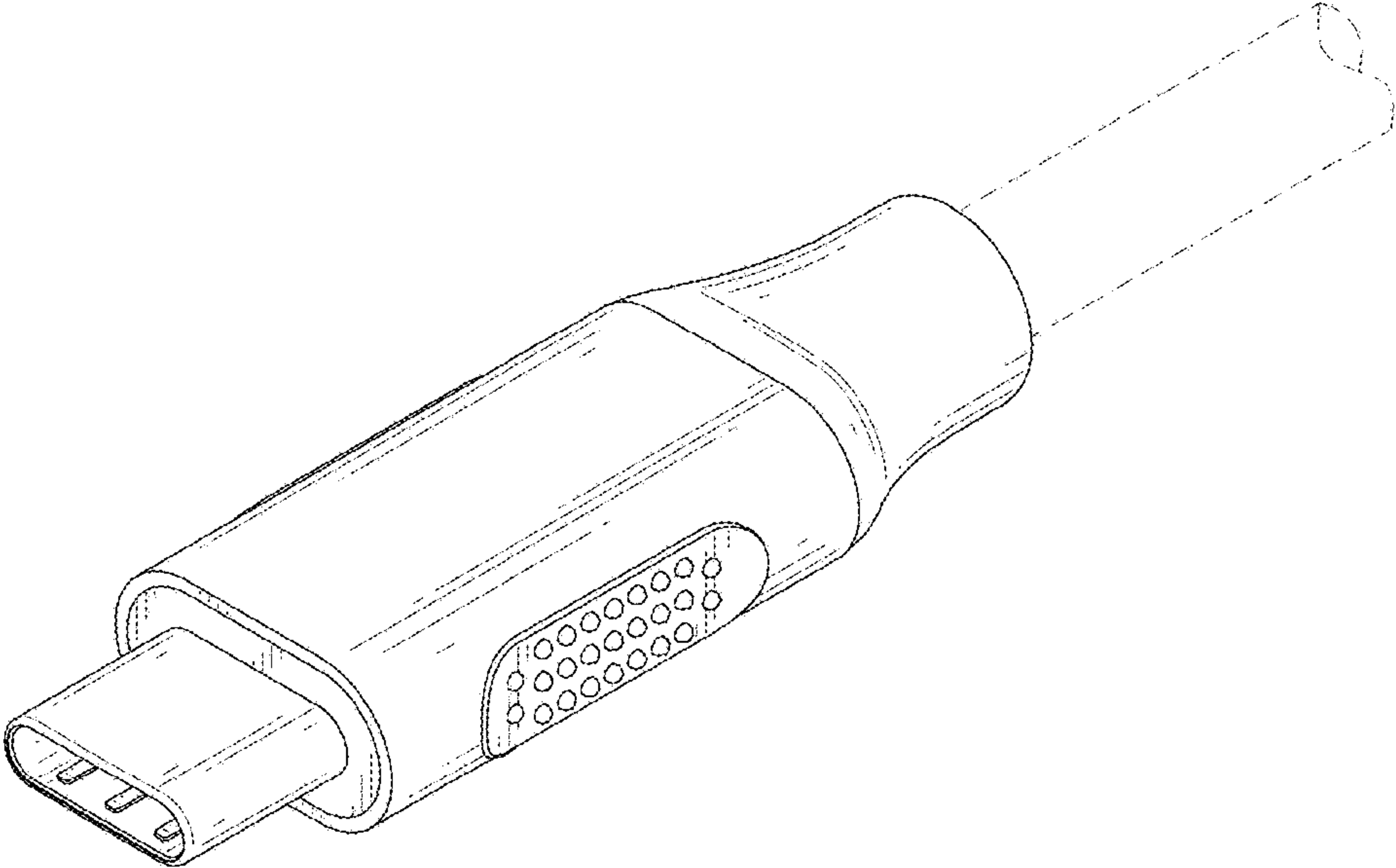


FIG. 2

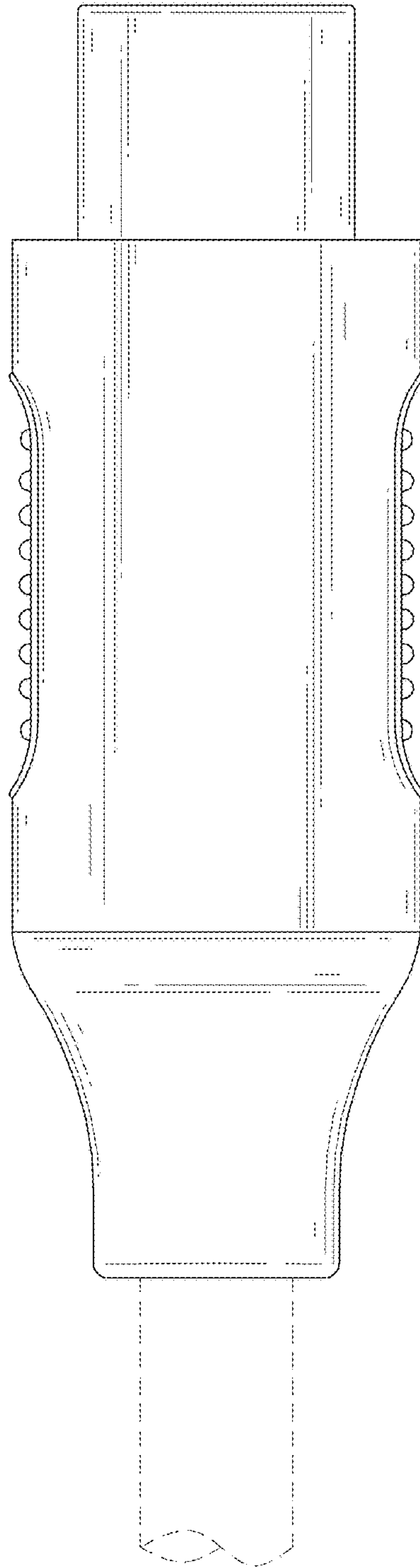


FIG. 3

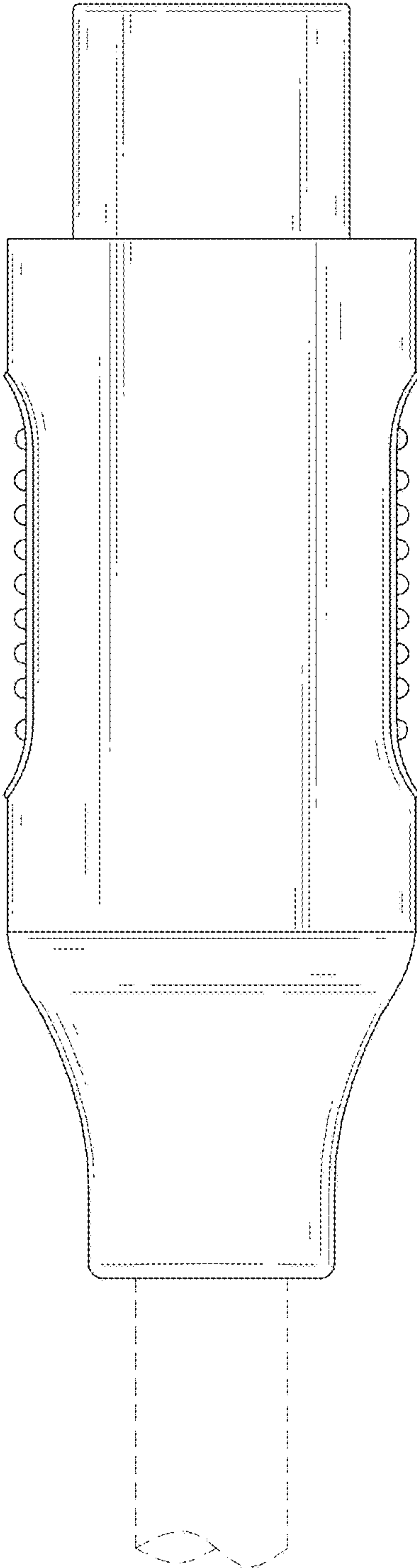


FIG. 4

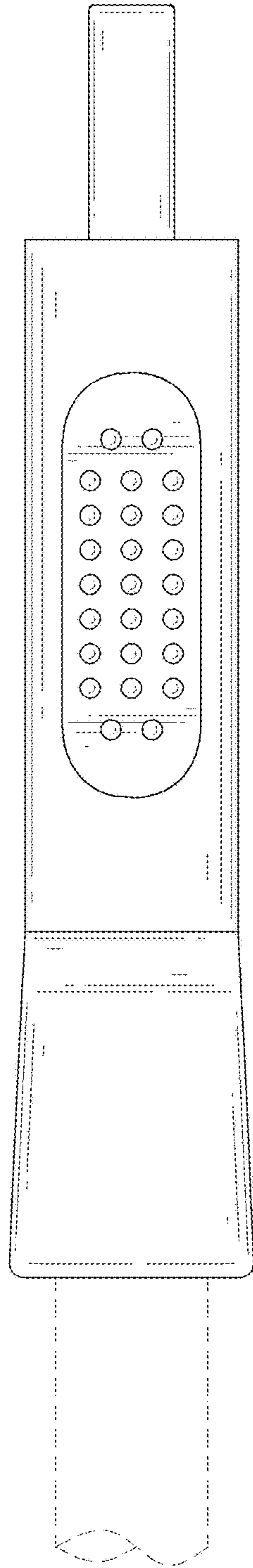


FIG. 5

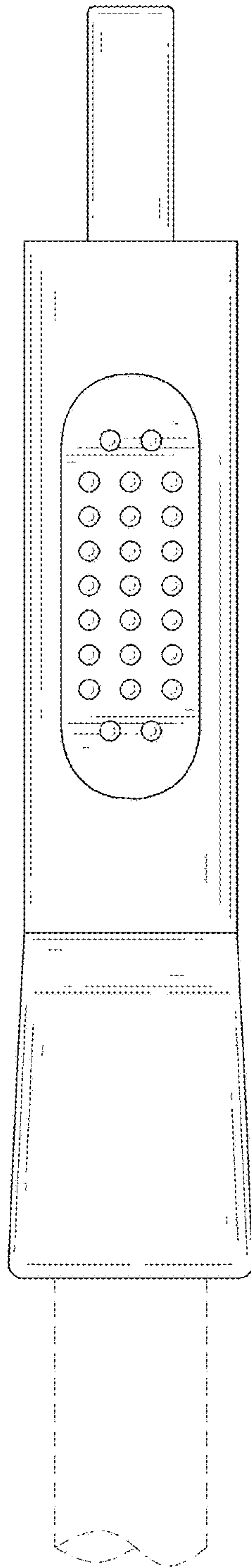


FIG. 6

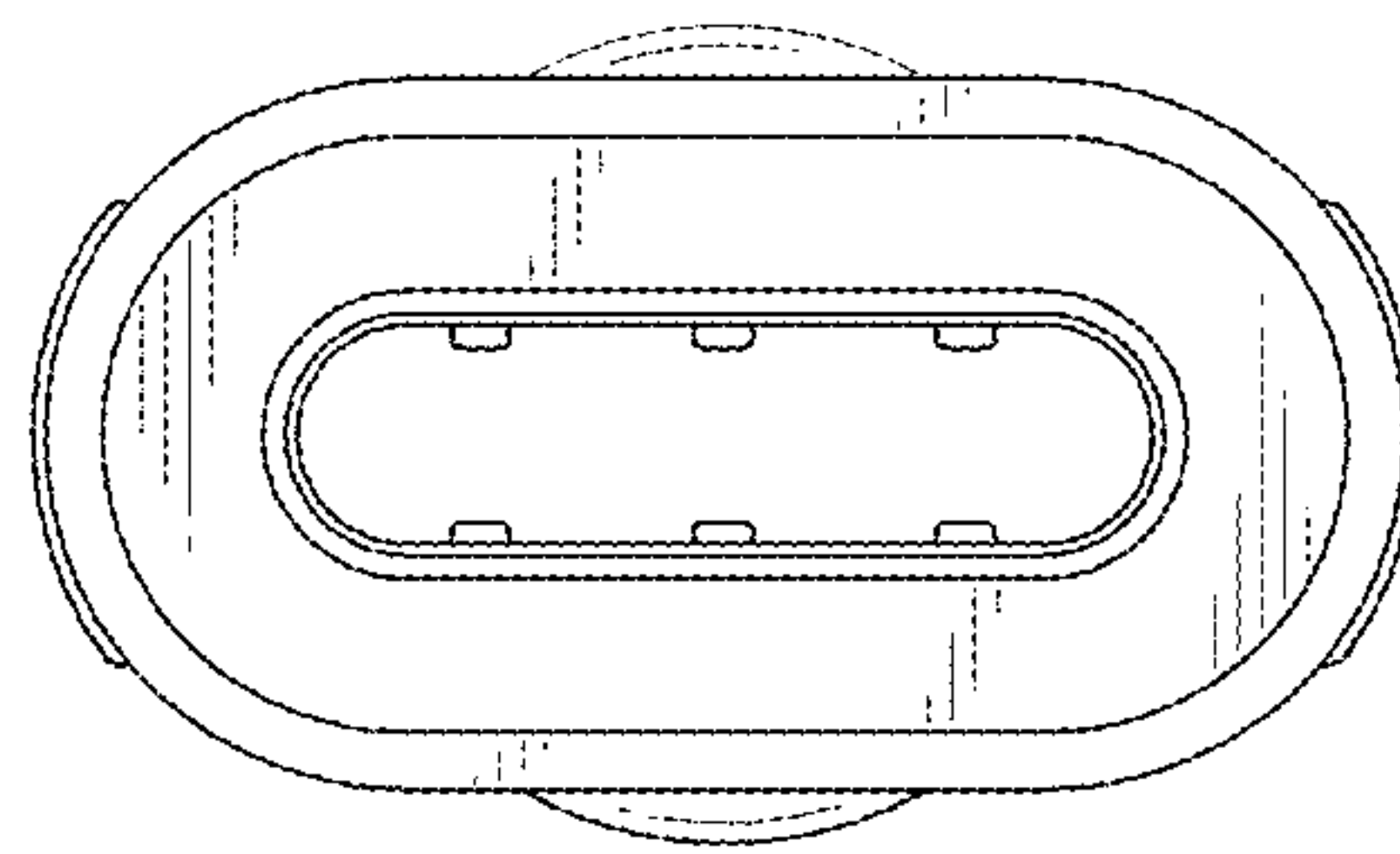


FIG. 7

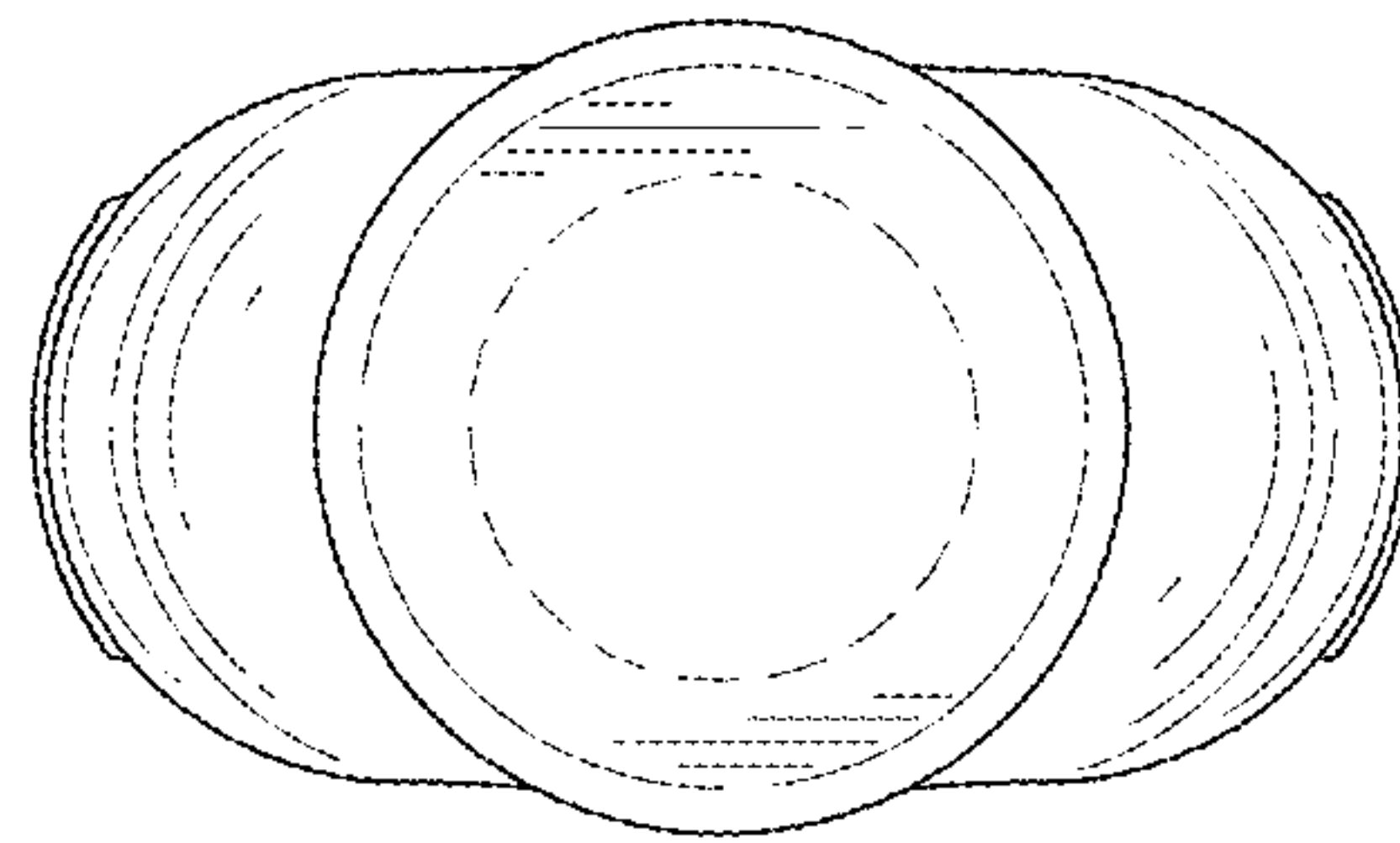


FIG. 8