



US00D840999S

(12) **United States Design Patent** (10) **Patent No.:** **US D840,999 S**  
**Hu** (45) **Date of Patent:** **\*\* Feb. 19, 2019**

(54) **STAND FOR MOBILE PHONE HOLDER**

(71) Applicants: **MPOW TECHNOLOGY CO., LIMITED**, Hong Kong (HK); **DONGGUAN CHUANG LONG ELECTRONICS LTD**, Dongguan (CN)

(72) Inventor: **Zaihui Hu**, Shenzhen (CN)

(73) Assignees: **MPOW TECHNOLOGY CO., LIMITED**, Hong Kong (HK); **DONGGUAN CHUANG LONG ELECTRONICS LTD**, Dongguan (CN)

(\*\*) Term: **15 Years**

(21) Appl. No.: **29/655,538**

(22) Filed: **Jul. 4, 2018**

(51) **LOC (11) Cl.** ..... **14-03**

(52) **U.S. Cl.**  
USPC ..... **D14/253**

(58) **Field of Classification Search**  
USPC ..... D14/253, 251, 252, 447, 451, 452, 440, D14/434, 458, 432, 439, 457, 460, 238.1, D14/140, 142, 149, 217, 148, 140.8, D14/140.11, 209.1, 151, 140.9, 250, 238; D13/107, 108; D12/415, 223, 114, 420,  
(Continued)

(56) **References Cited**

**U.S. PATENT DOCUMENTS**

D590,696 S \* 4/2009 Carnevali ..... D8/354  
D657,783 S \* 4/2012 Mo ..... D14/251  
(Continued)

**FOREIGN PATENT DOCUMENTS**

CN 304011750 1/2017  
EM 004515948-0011 11/2017

**OTHER PUBLICATIONS**

Wireless Car Charger, Veidoo Gravity Wireless Fast Charge Car Mount Air Vent Phone Holder for Samsung Galaxy S9 S9 Plus S8 S7/S7 Edge Note 8 5 & Standard Charge for iPhone X 8/8 Plus, Date first listed Online: May 13, 2018, Available from Internet, URL: <https://www.amazon.com/dp/B07CJPRNN9>, Veidoo.

(Continued)

*Primary Examiner* — Janice Hallmark

(74) *Attorney, Agent, or Firm* — JCIPRNET

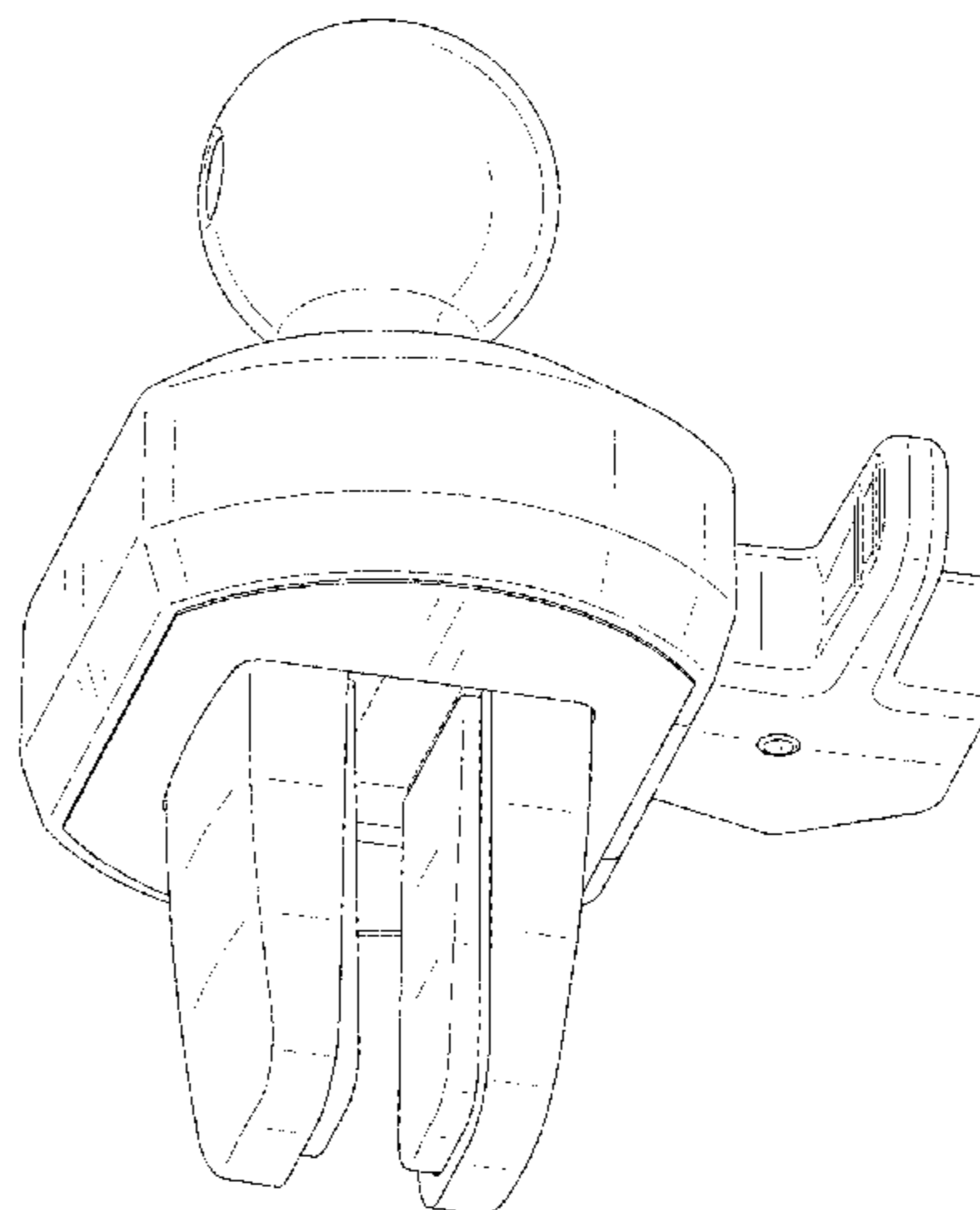
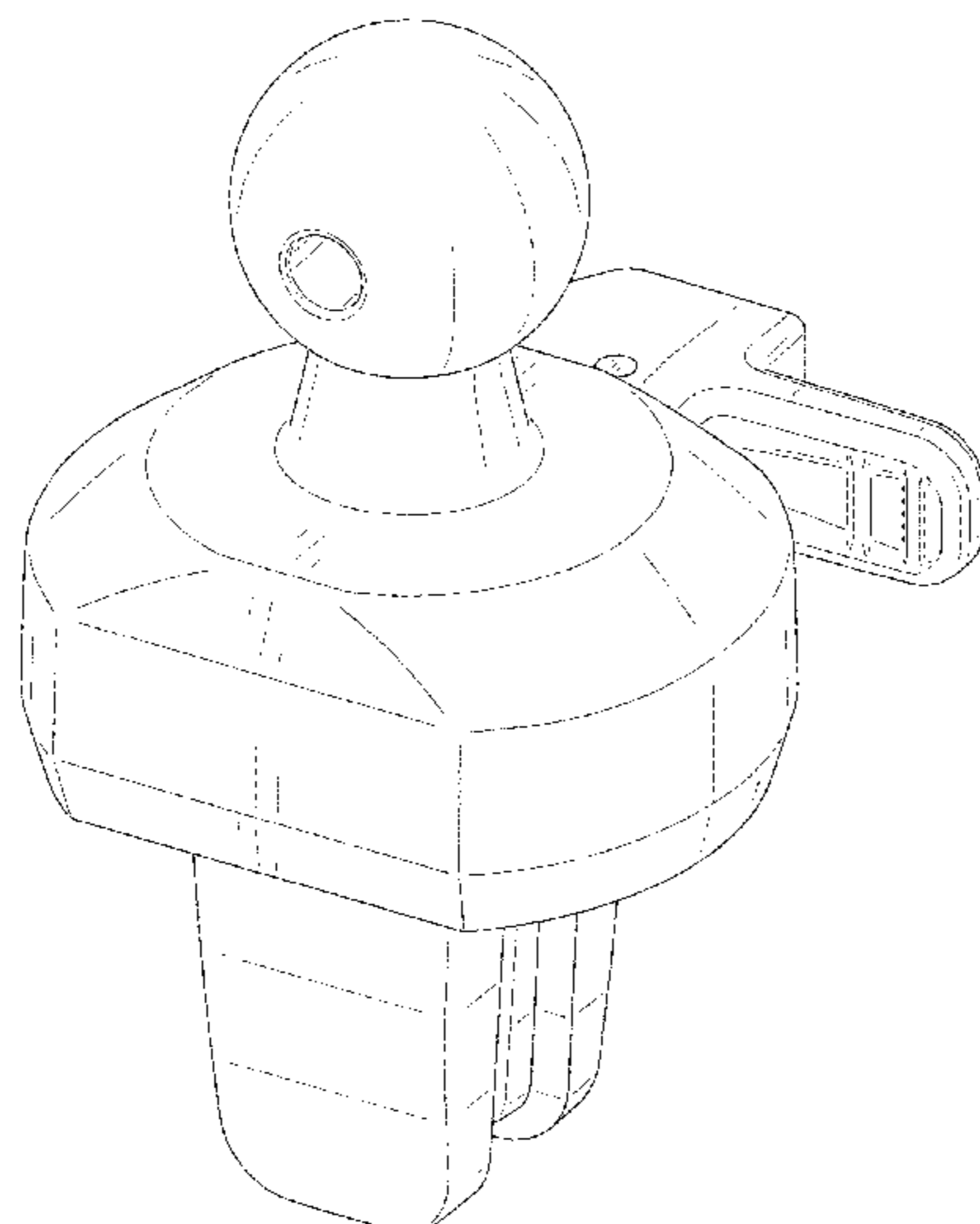
(57) **CLAIM**

The ornamental design for a stand for mobile phone holder, as shown and described.

**DESCRIPTION**

FIG. 1 is a top-front-left perspective view of a stand for mobile phone holder showing my new design; FIG. 2 is a bottom-front perspective view thereof; FIG. 3 is a front view thereof; FIG. 4 is a rear view thereof; FIG. 5 is a left side view thereof; FIG. 6 is a right side view thereof; FIG. 7 is a top view thereof; FIG. 8 is a bottom view thereof; FIG. 9 is another bottom-front perspective view of the stand for mobile phone of the present design showing the claimed design in environment in which it may be used; and, FIG. 10 is another top-front-left perspective view of the stand for mobile phone of the present design showing the claimed design in environment in which it may be used. The broken lines shown within solid line disclosure depict portions of the stand for mobile phone holder that form no part of the claimed design. The broken lines shown only in FIG. 9 and FIG. 10 depict environmental subject matter that forms no part of the claimed design.

**1 Claim, 9 Drawing Sheets**



(58) **Field of Classification Search**

USPC ..... D12/417, 407, 177; D3/218;  
 D16/242–245, 250, 237, 203, 214, 219;  
 D8/349; D6/675, 672, 673, 675.4, 553,  
 D6/676, 310, 406.3, 406.4, 406.5, 406.6,  
 D6/407, 567, 300, 682.3, 396; 248/459,  
 248/460; 224/483  
 CPC ..... B60R 2011/0008; B60R 11/02; B60R  
 11/0241; B60R 11/0258; B60R 11/0252;  
 B60R 2011/0294; F16M 11/00; F16M  
 11/04; F16M 11/041; F16M 11/02; F16M  
 11/06; F16M 13/00; H04M 1/02; H04M  
 1/04; H04M 1/11; H04M 1/12; A47F  
 7/022; B62J 11/00; H05K 7/00; G03B  
 17/56

See application file for complete search history.

(56) **References Cited**

U.S. PATENT DOCUMENTS

D696,673 S \* 12/2013 Vogel ..... D14/447  
 D718,297 S \* 11/2014 Aspinall ..... D14/253  
 D718,298 S \* 11/2014 Aspinall ..... D14/253

D732,519 S \* 6/2015 Aspinall ..... D14/253  
 D733,116 S \* 6/2015 Aspinall ..... D14/253  
 D748,615 S \* 2/2016 Lee ..... D14/251  
 D775,115 S \* 12/2016 Ormsbee ..... D14/253  
 D780,168 S \* 2/2017 Du ..... D14/253  
 D780,743 S \* 3/2017 Chun ..... D14/253  
 D781,297 S \* 3/2017 Liao ..... D14/447  
 D783,013 S \* 4/2017 Chun ..... D14/253  
 D783,593 S \* 4/2017 Chen ..... D14/253  
 D789,920 S \* 6/2017 Zhang ..... D14/253  
 D792,418 S \* 7/2017 Stener ..... D14/451  
 D799,466 S 10/2017 Sukphist et al.  
 D803,674 S \* 11/2017 Carnevali ..... D8/382  
 2016/0082893 A1 \* 3/2016 Ormsbee ..... B60R 11/0241  
 224/558

OTHER PUBLICATIONS

Beam Electronics Universal Smartphone Car Air Vent Mount Holder  
 Cradle Compatible with iPhone X 8 8 Plus 7 7 Plus SE 6s 6 Plus 6  
 5s 5 4s 4 Samsung Galaxy S6 S5 S4 LG Nexus Sony Nokia and  
 More . . . , Date first listed Online: Jul. 6, 2017, Available from  
 Internet, URL: <https://www.amazon.com/dp/B073R68TSH>, Beam  
 Electronics.

\* cited by examiner

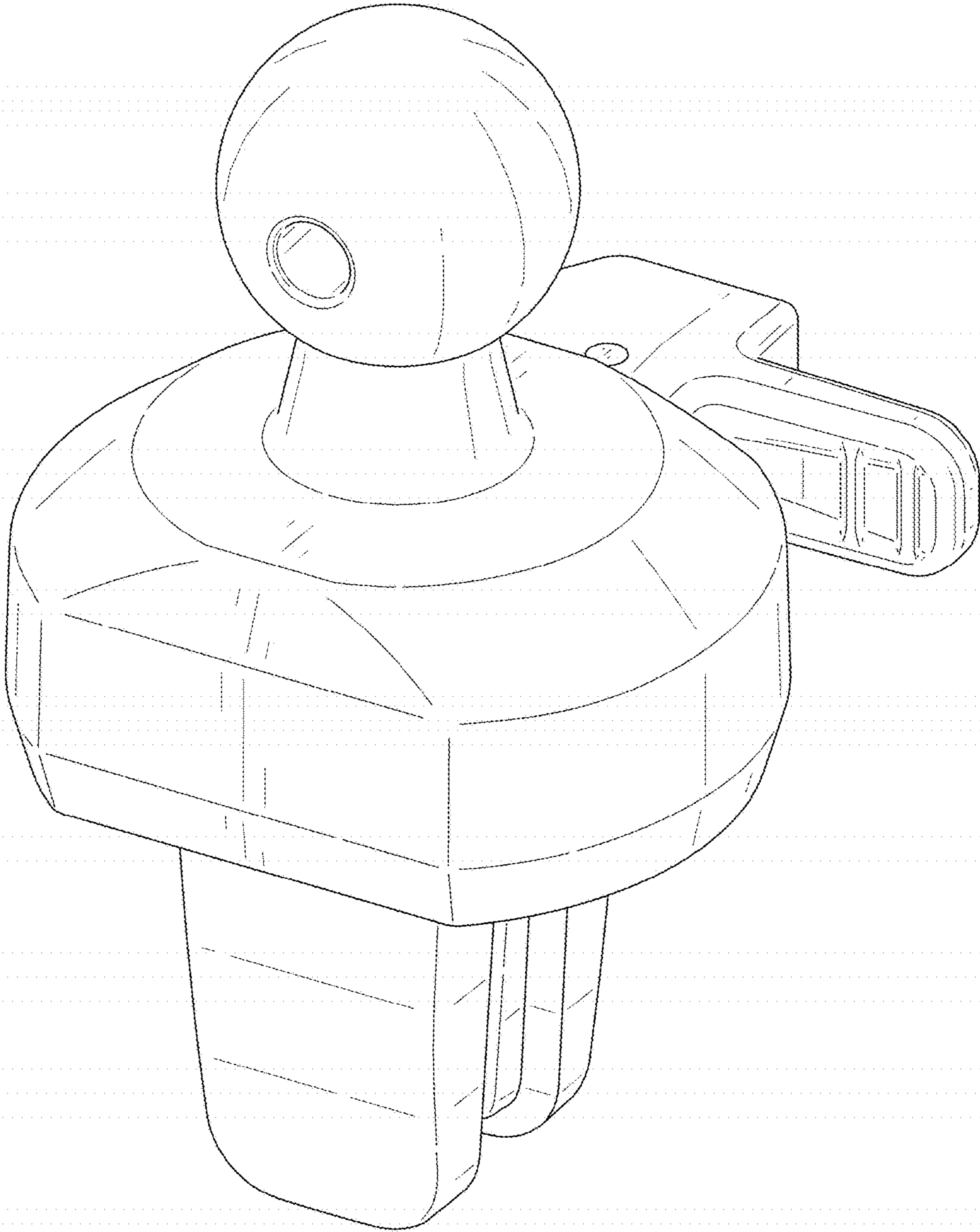


FIG. 1

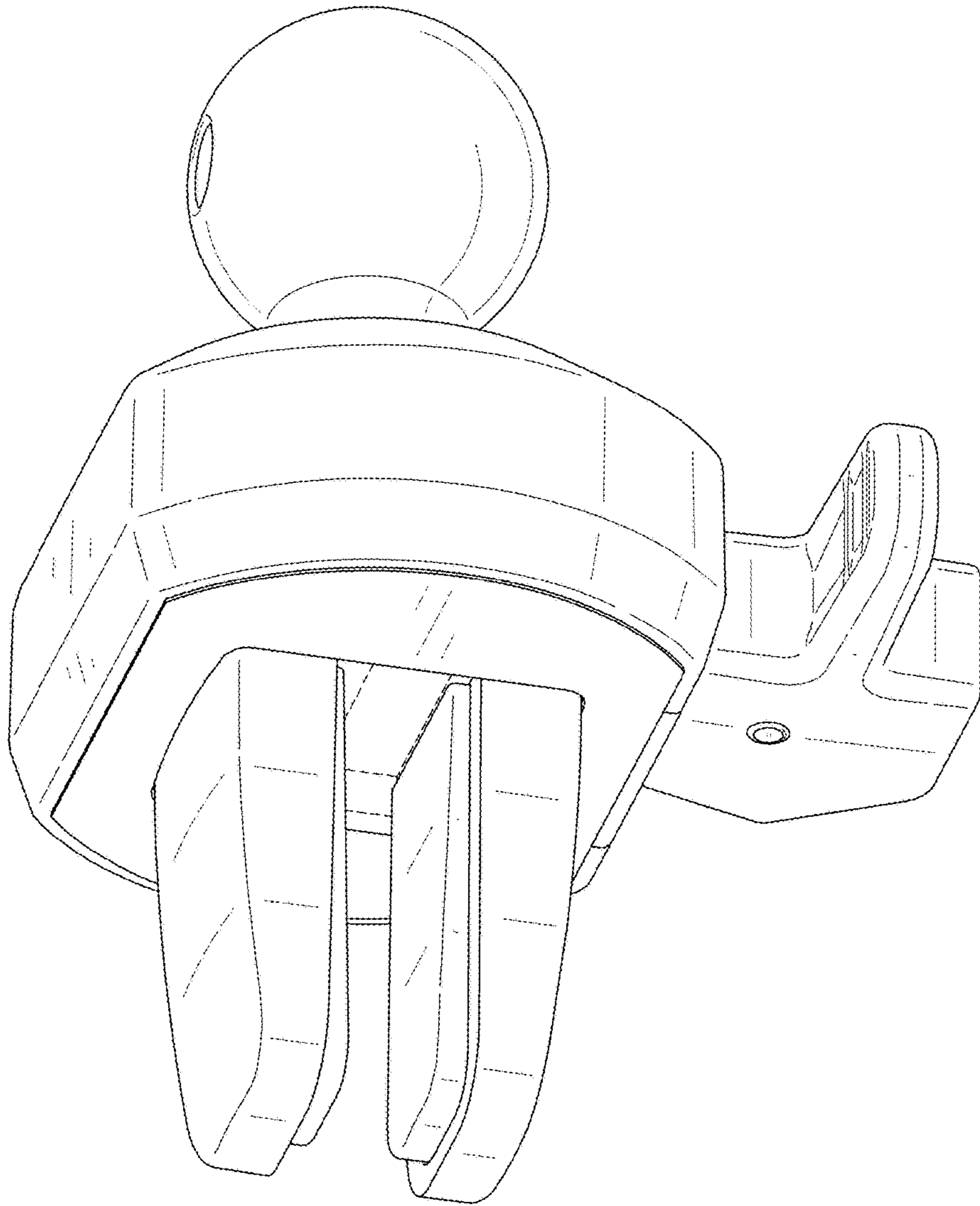


FIG. 2



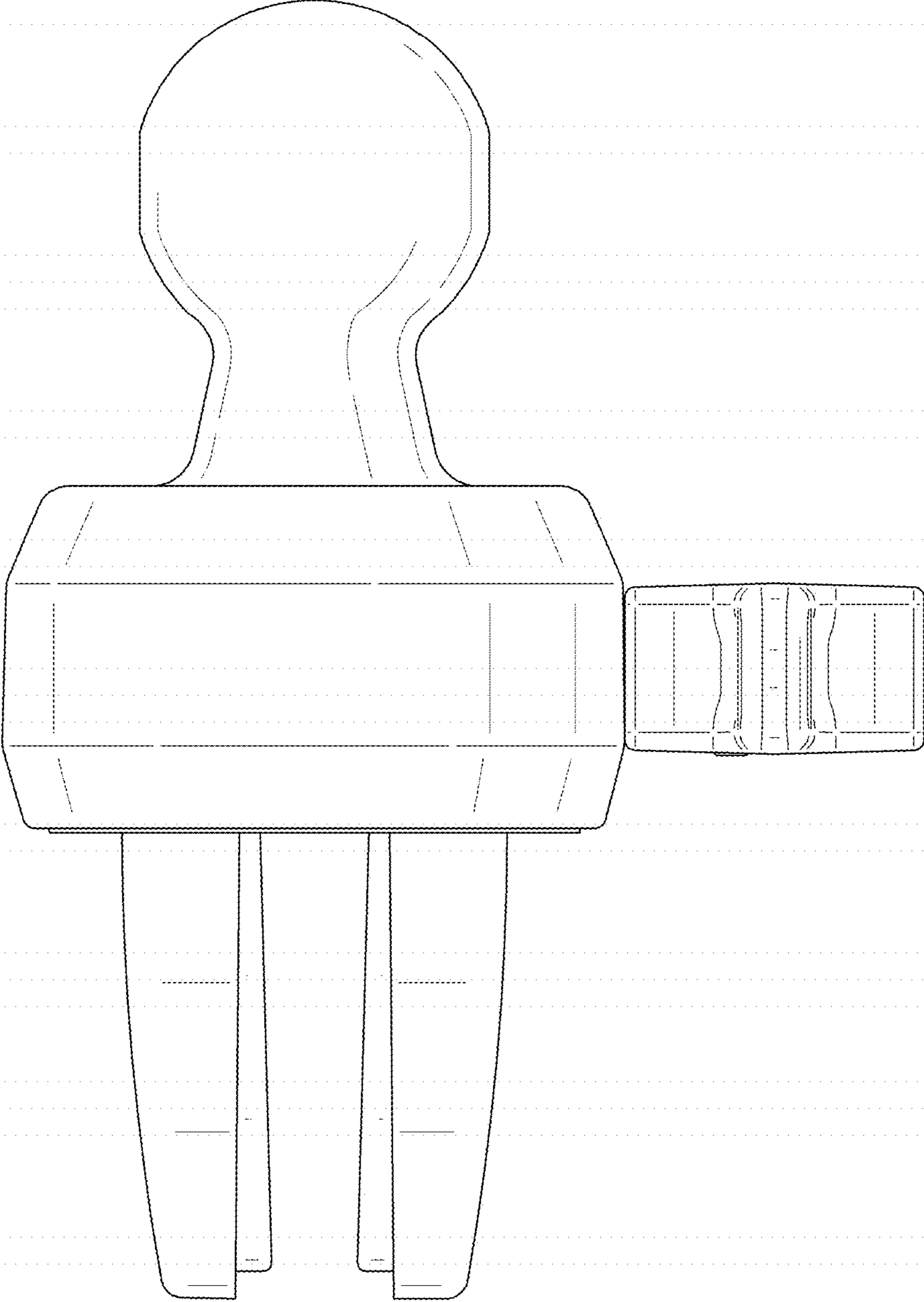


FIG. 3

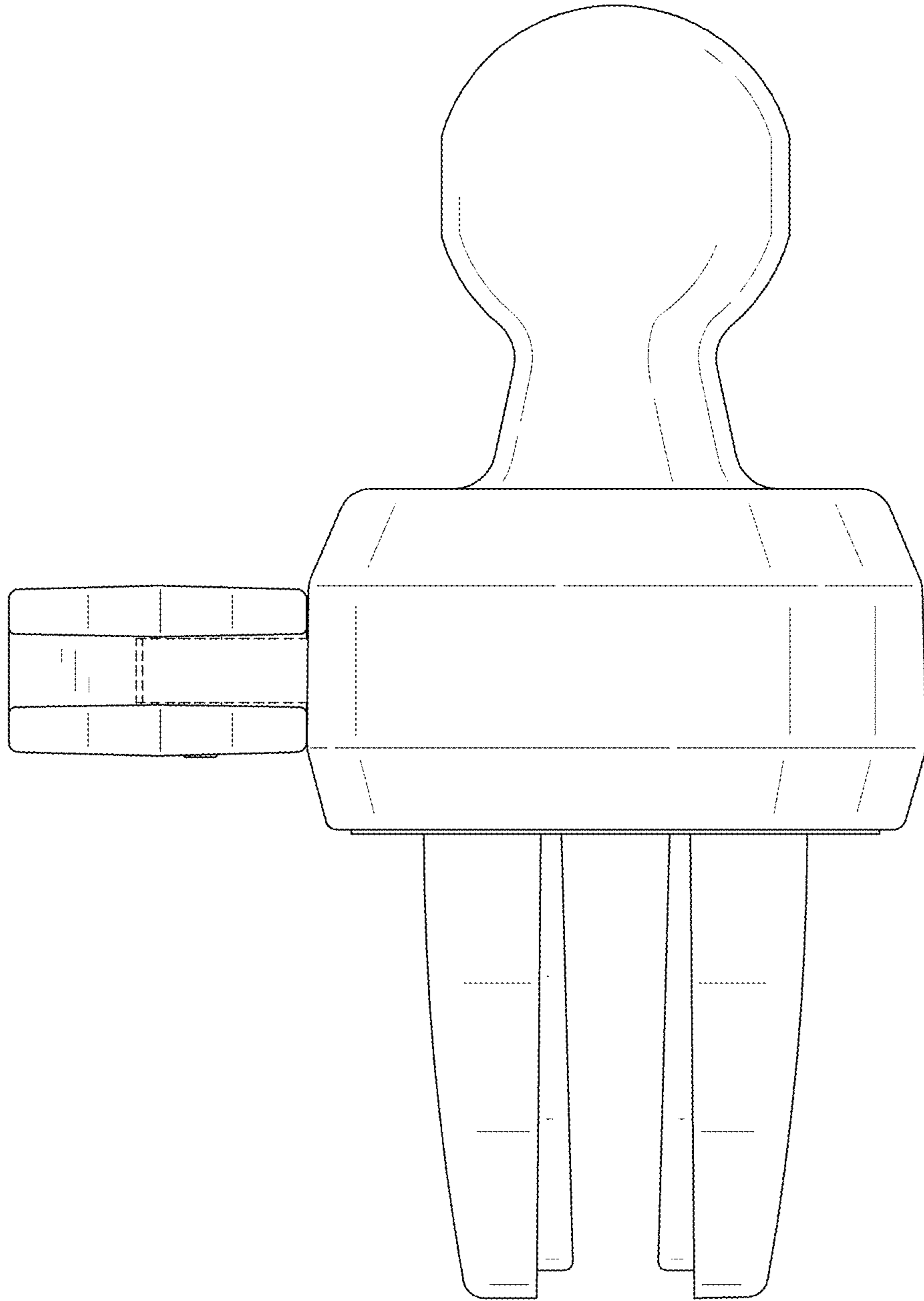


FIG. 4

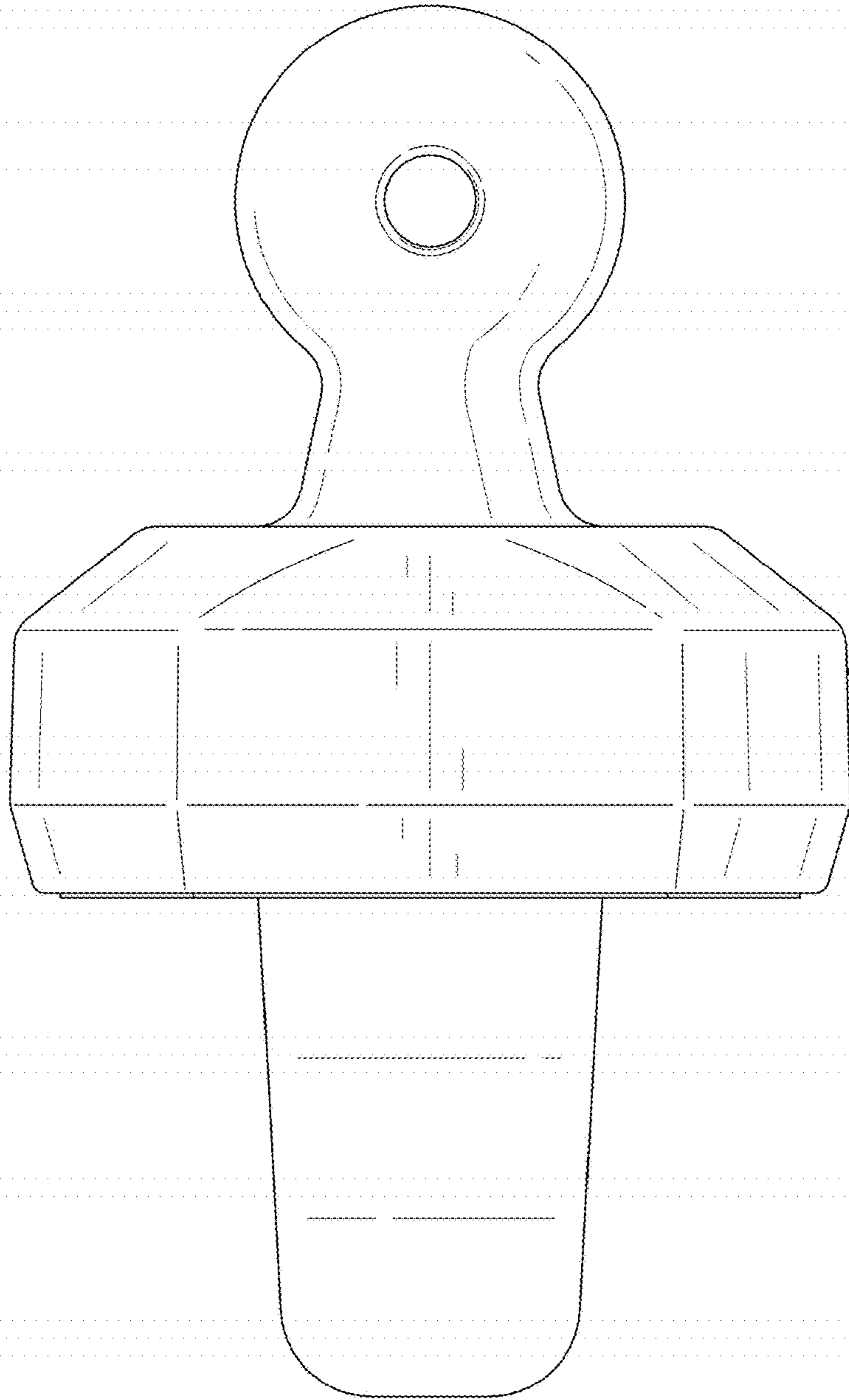


FIG. 5

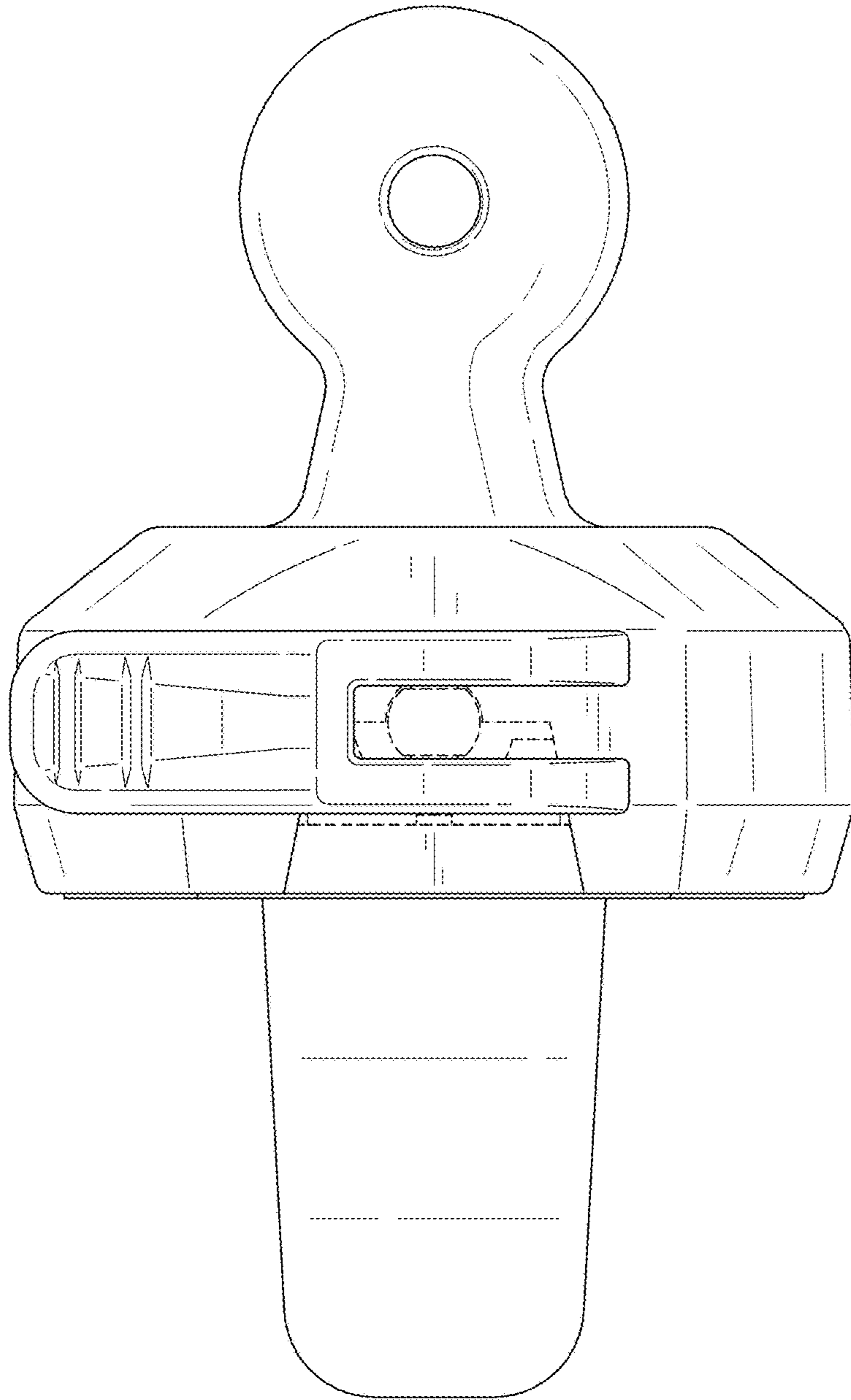


FIG. 6



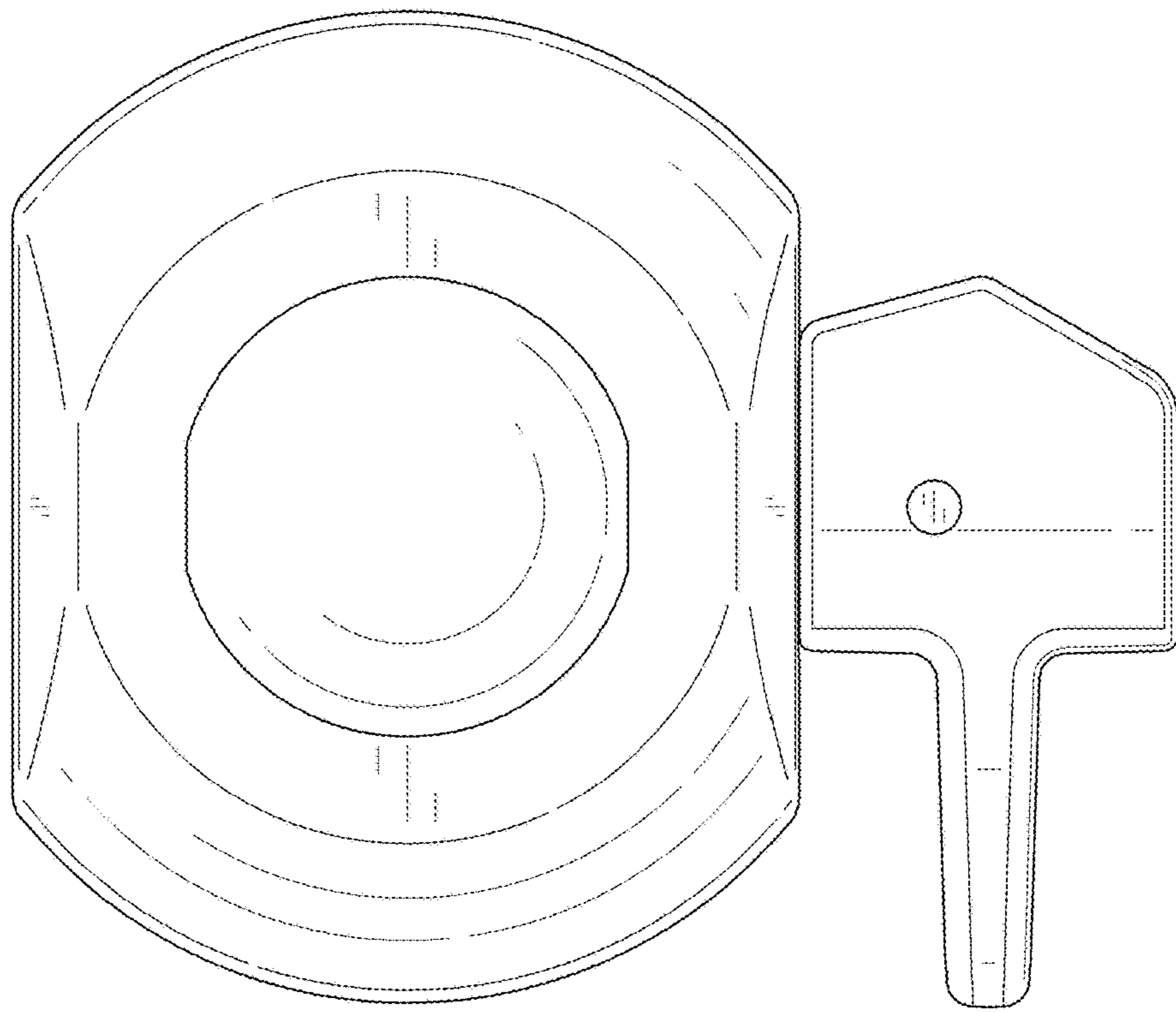


FIG. 7

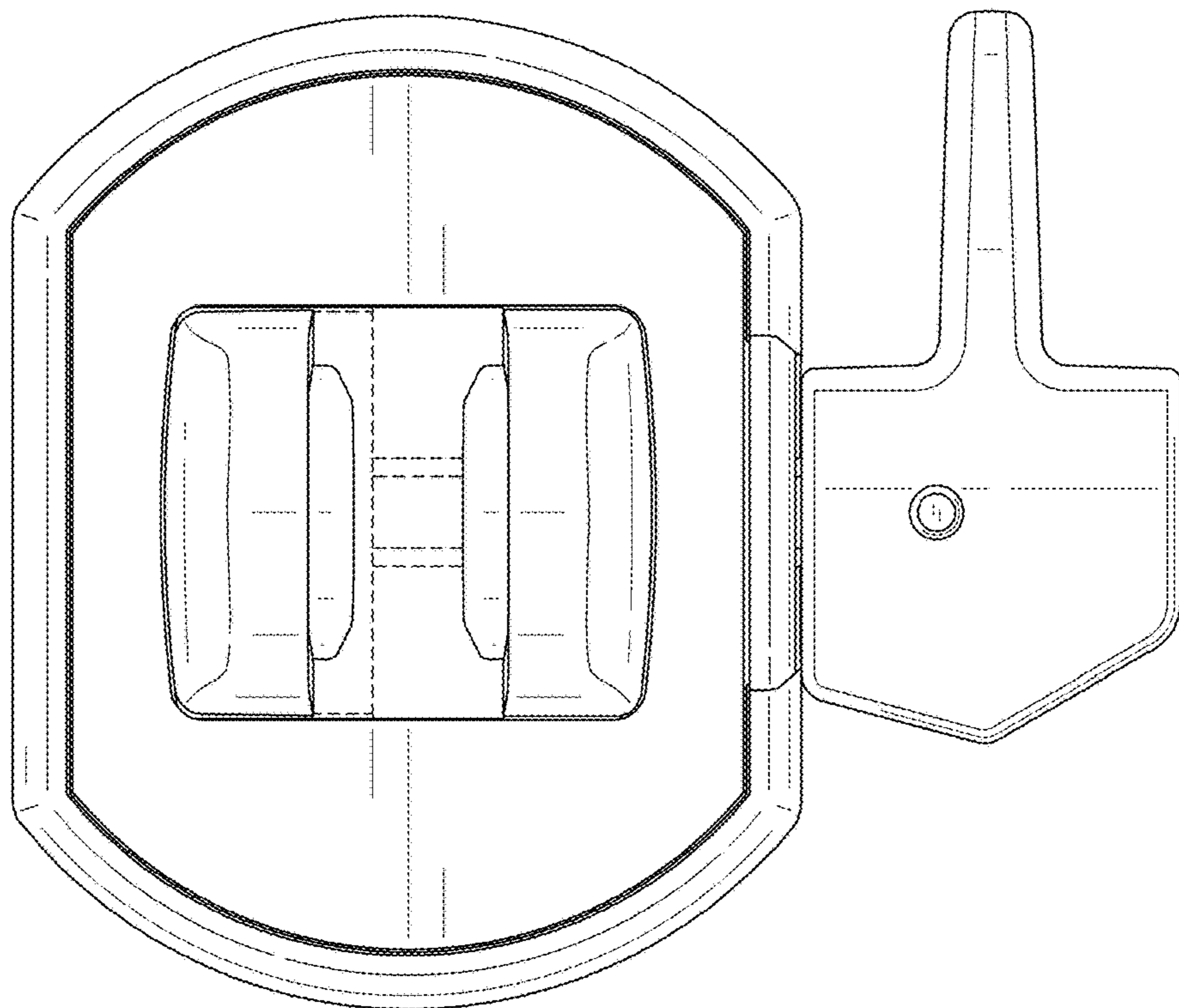


FIG. 8

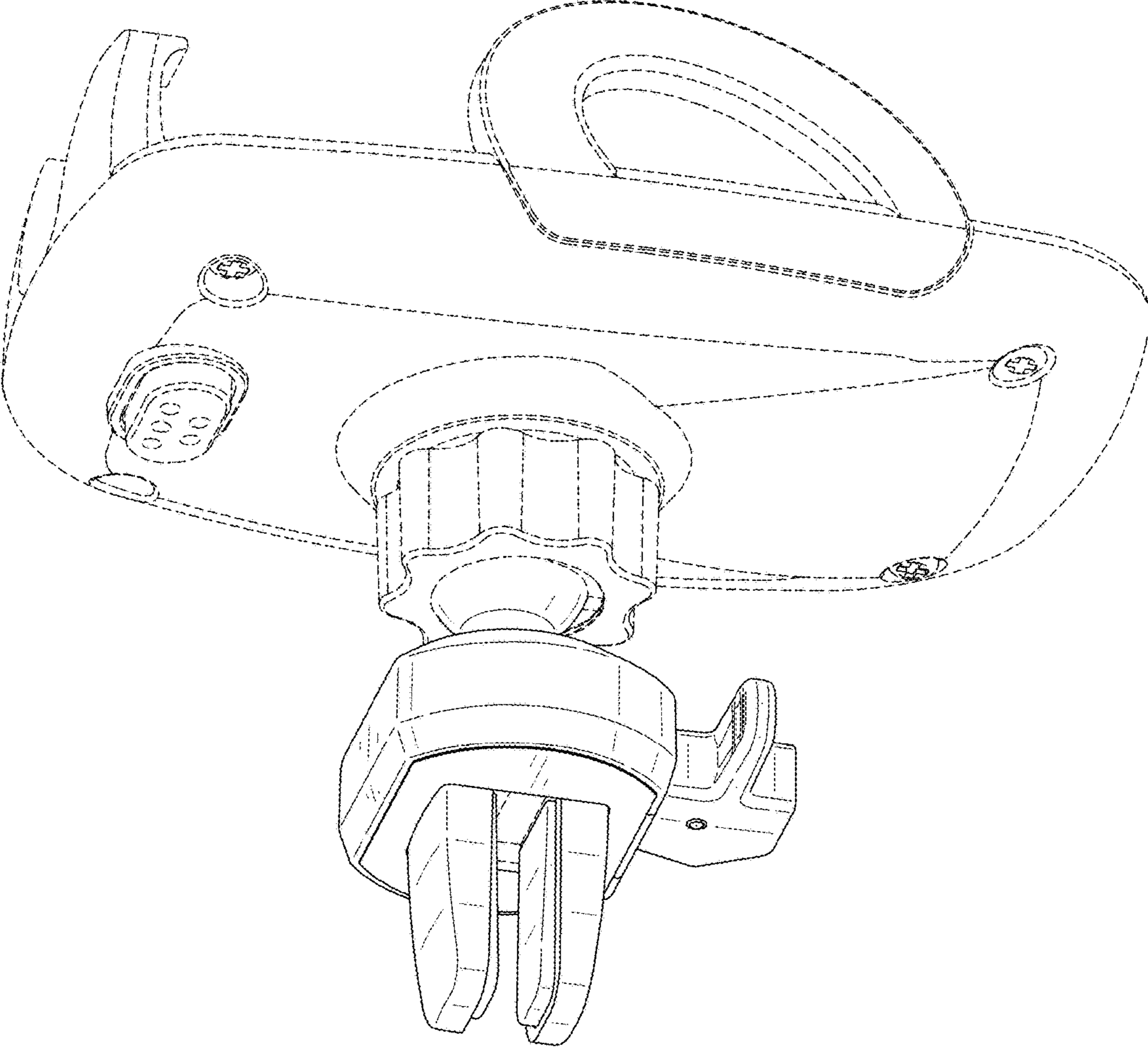


FIG. 9

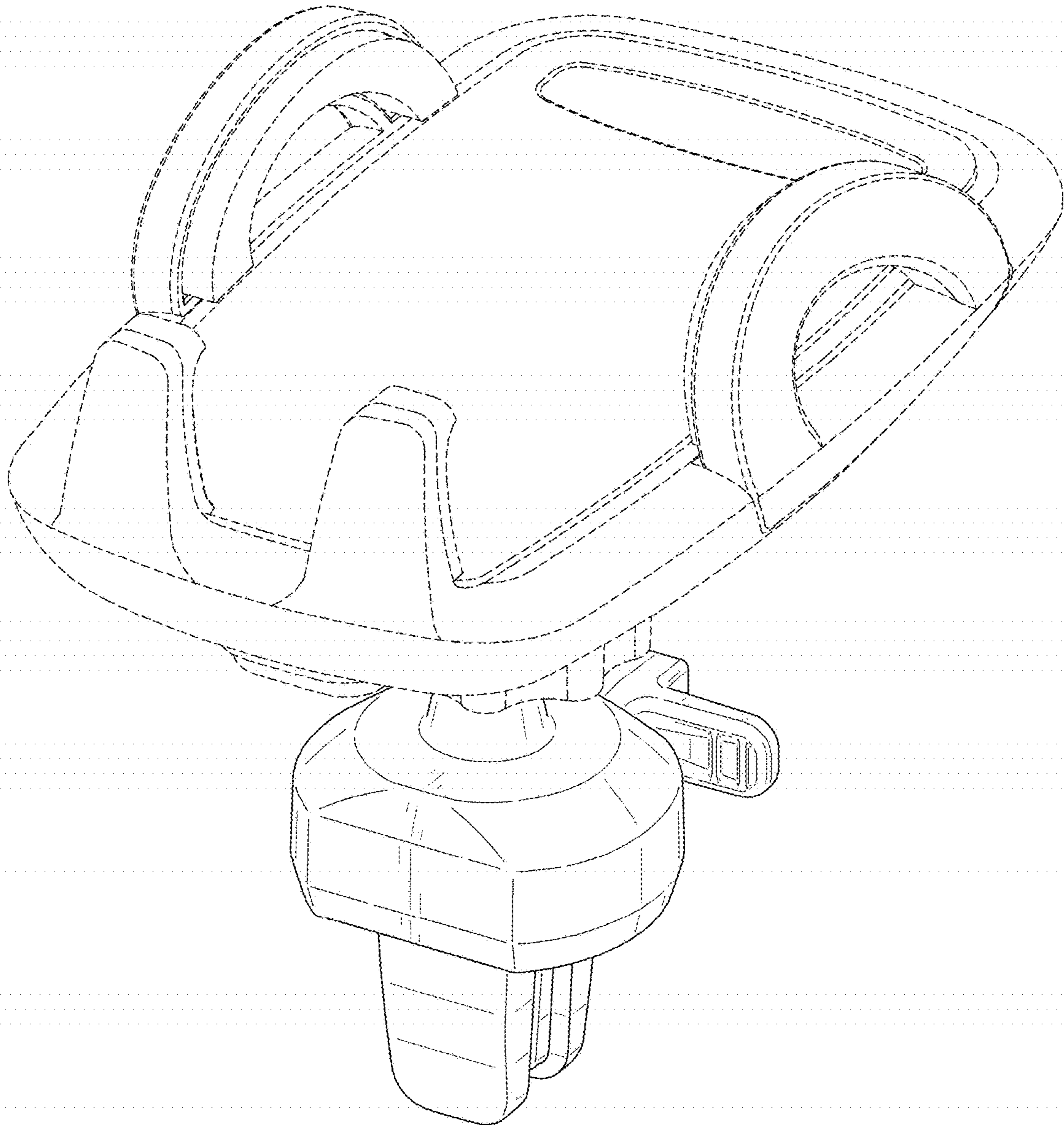


FIG. 10