

US00D840997S

(12) **United States Design Patent**
Chen

(10) **Patent No.:** **US D840,997 S**

(45) **Date of Patent:** **** Feb. 19, 2019**

(54) **COMBINED SUPPORT FOR SUPPORTING MOBILE PHONE AND WATCH**

D799,463 S * 10/2017 Deng D14/252
D804,490 S * 12/2017 Wei D14/447
D819,643 S * 6/2018 Hu D14/434
D825,550 S * 8/2018 Wang D14/253

(71) Applicant: **Shenzhen Shenghaina Technology Co., LTD.**, Guangdong (CN)

* cited by examiner

(72) Inventor: **Xiaowei Chen**, Guangdong (CN)

Primary Examiner — Cynthia R Underwood

(73) Assignee: **Shenzhen Shenghaina Technology Co., LTD.**, Guangdong (CN)

(74) *Attorney, Agent, or Firm* — Dinsmore & Shohl LLP

(**) Term: **15 Years**

(57) **CLAIM**

The ornamental design for a “combined support for supporting mobile phone and watch,” as shown and described.

(21) Appl. No.: **29/595,268**

DESCRIPTION

(22) Filed: **Feb. 27, 2017**

(51) **LOC (11) Cl.** **14-03**

(52) **U.S. Cl.**
USPC **D14/253**

(58) **Field of Classification Search**
USPC D14/251, 240, 217, 447, 253, 496;
224/558; 248/205.3; D16/200, 244
CPC H04B 1/3888; H04M 1/0283; H04M 1/04;
A45C 1/06; H05K 5/0204; F16M 13/00;
G06F 1/1632
See application file for complete search history.

FIG. 1 is a first perspective view of the combined support for supporting mobile phone and watch in the first embodiment; FIG. 2 is a second perspective view of the combined support for supporting mobile phone and watch; FIG. 3 is a front view of the combined support for supporting mobile phone and watch; FIG. 4 is a rear view of the combined support for supporting mobile phone and watch; FIG. 5 is a left side view of the combined support for supporting mobile phone and watch; FIG. 6 is a right side view of the combined support for supporting mobile phone and watch; FIG. 7 is a top view of the combined support for supporting mobile phone and watch; FIG. 8 is a bottom view of the combined support for supporting mobile phone and watch; and, FIG. 9 is a front perspective view thereof showing the combined support for supporting mobile phone watch in an unclaimed environment of use.

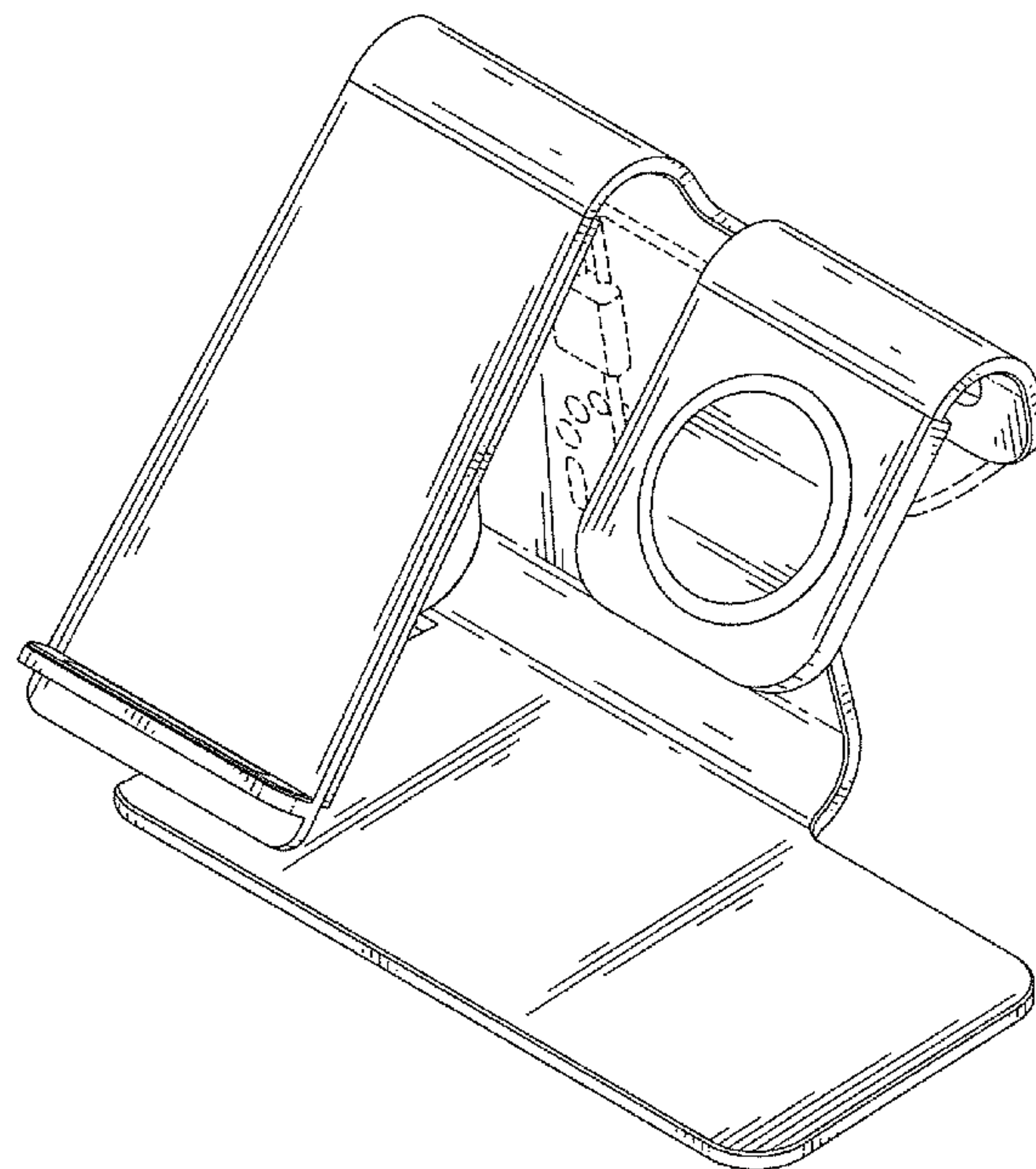
The broken lines are included for environmental purposes only and form no part of the claim.

(56) **References Cited**

U.S. PATENT DOCUMENTS

D645,865 S * 9/2011 Diehl D14/299
D771,616 S * 11/2016 Bo D14/253
D772,216 S * 11/2016 Lau D13/108
D786,883 S * 5/2017 Chen D14/447
D788,761 S * 6/2017 Tompkin D14/253
D788,780 S * 6/2017 Chen D14/447
D788,781 S * 6/2017 Chen D14/447
D798,871 S * 10/2017 Avganim D14/447

1 Claim, 9 Drawing Sheets



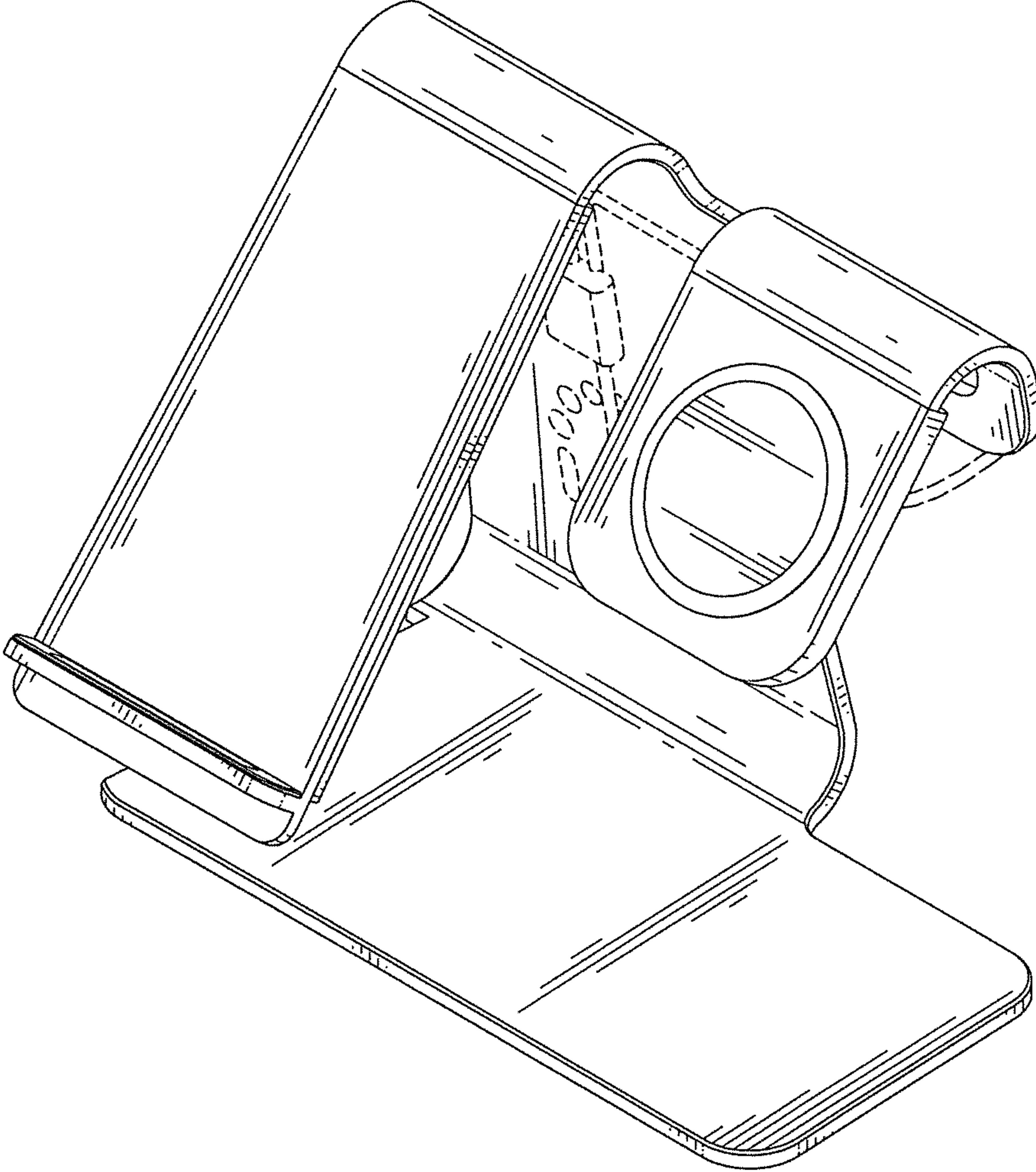


FIG. 1

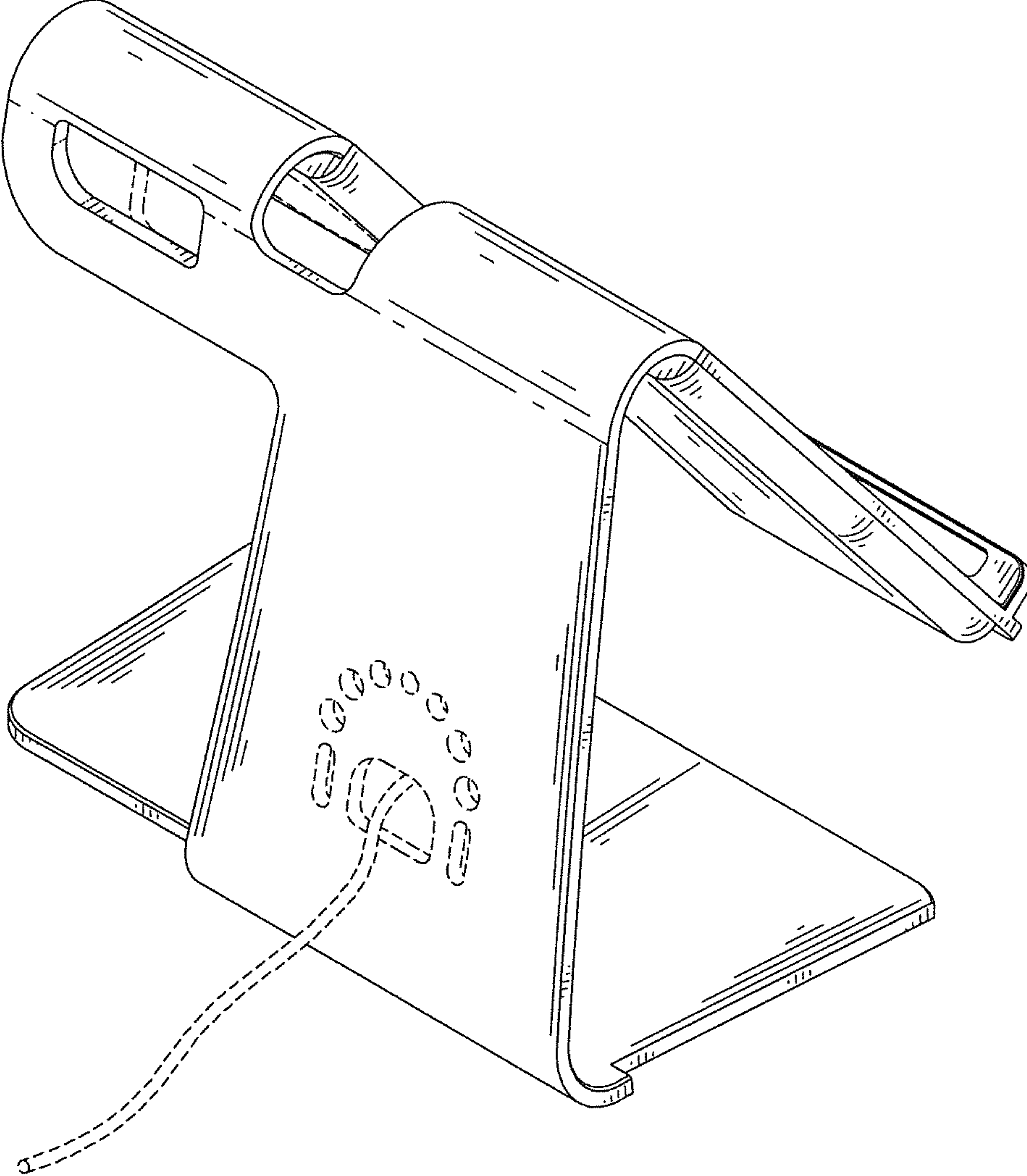


FIG. 2

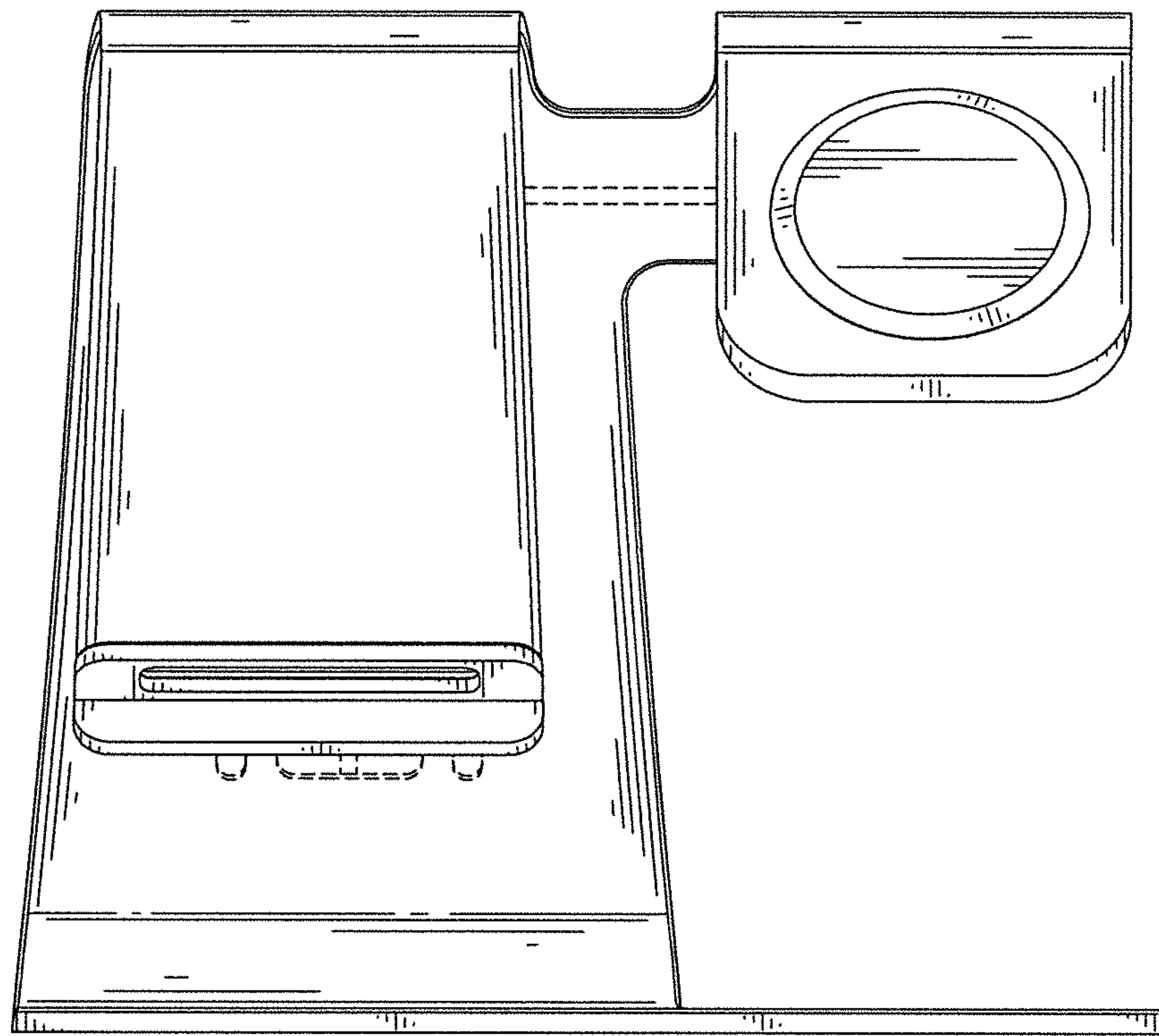


FIG. 3

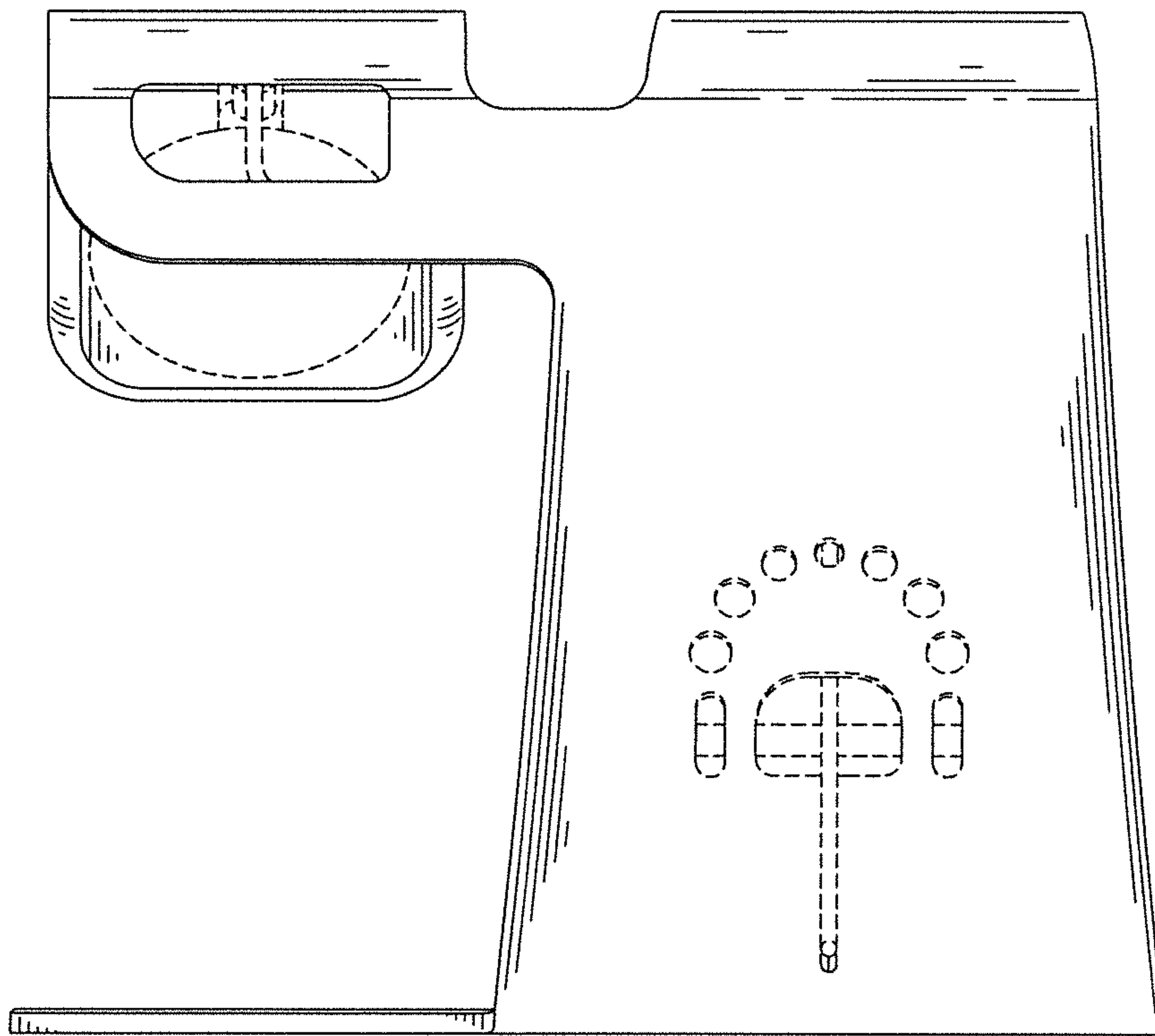


FIG. 4

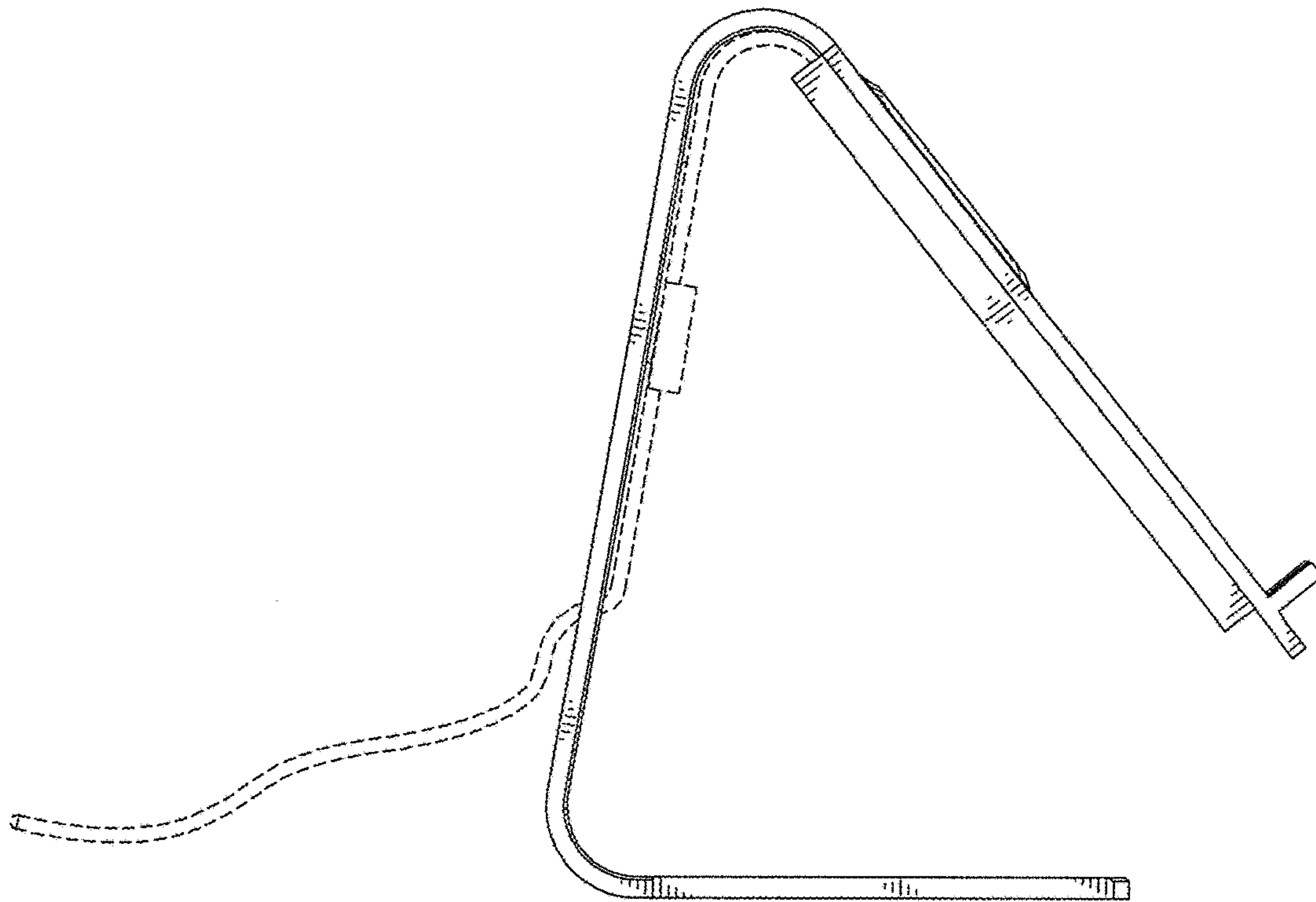


FIG. 5

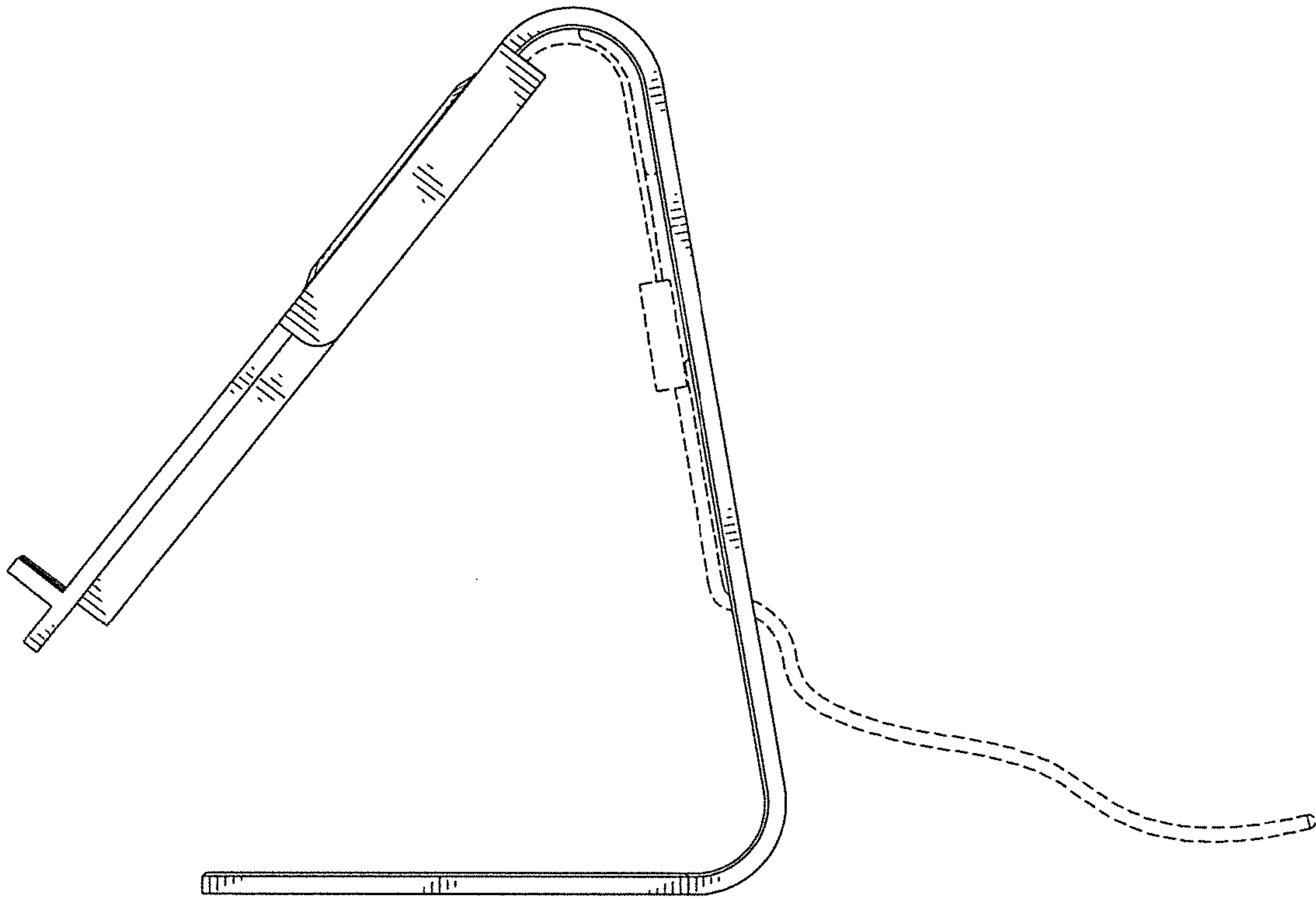


FIG. 6

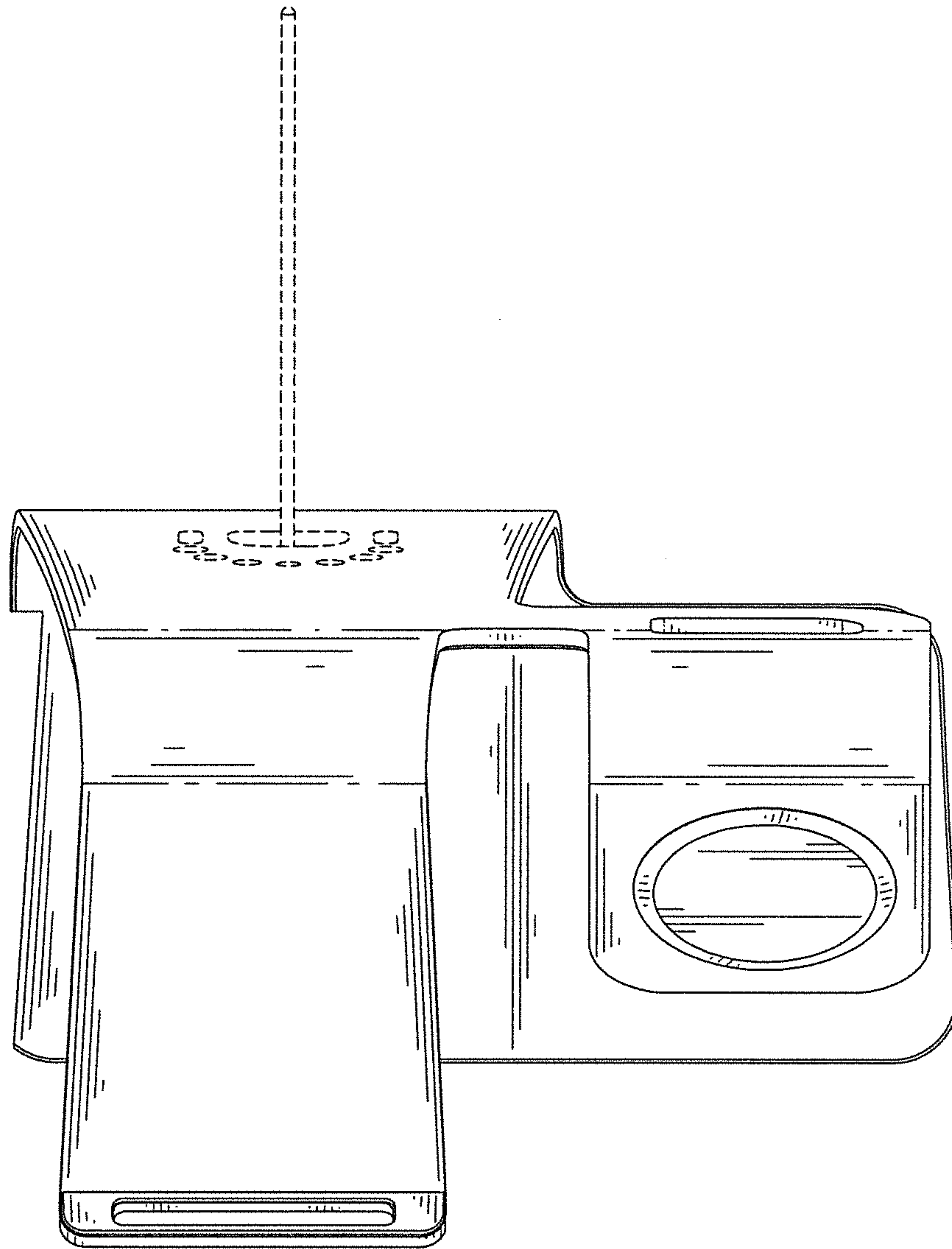


FIG. 7

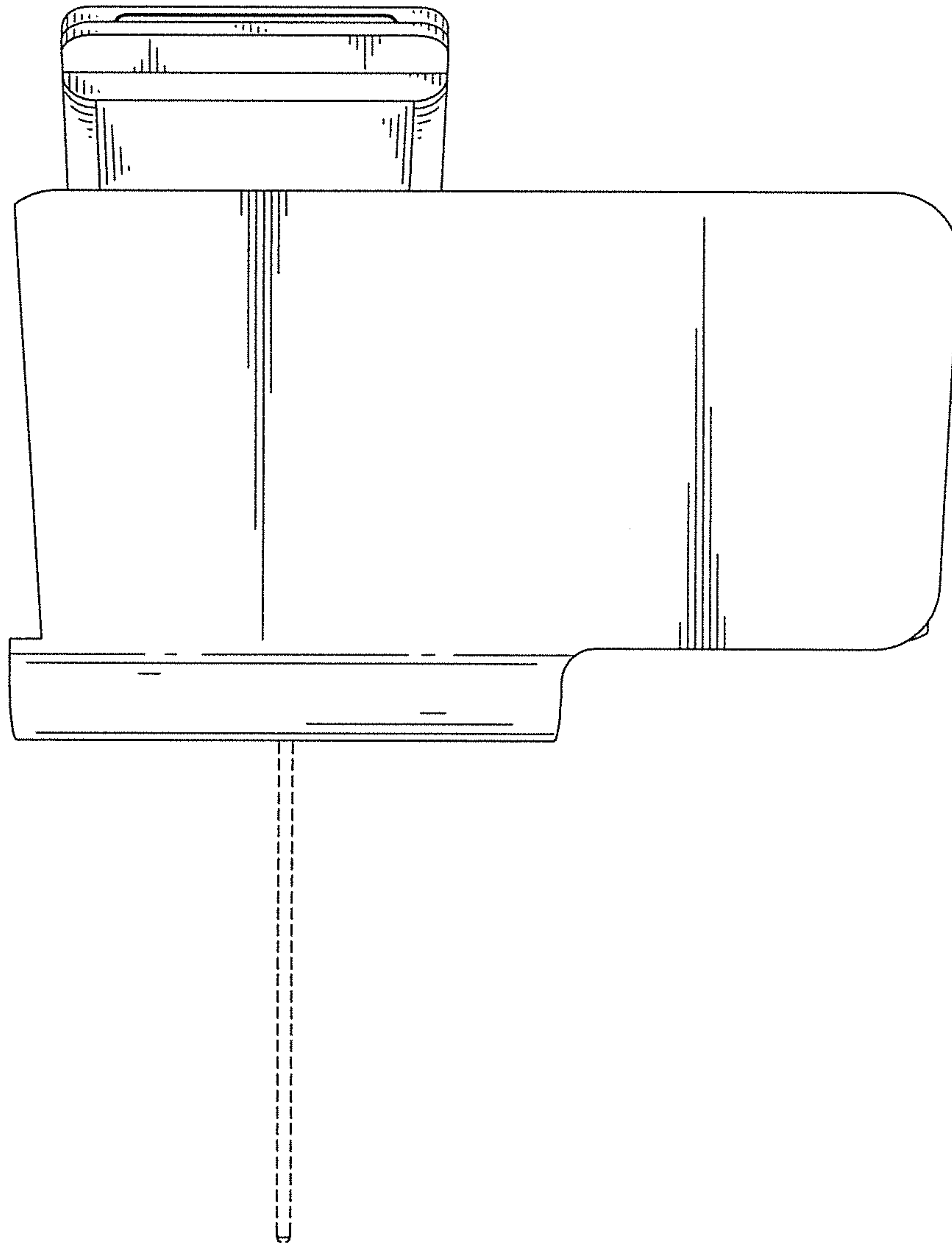


FIG. 8

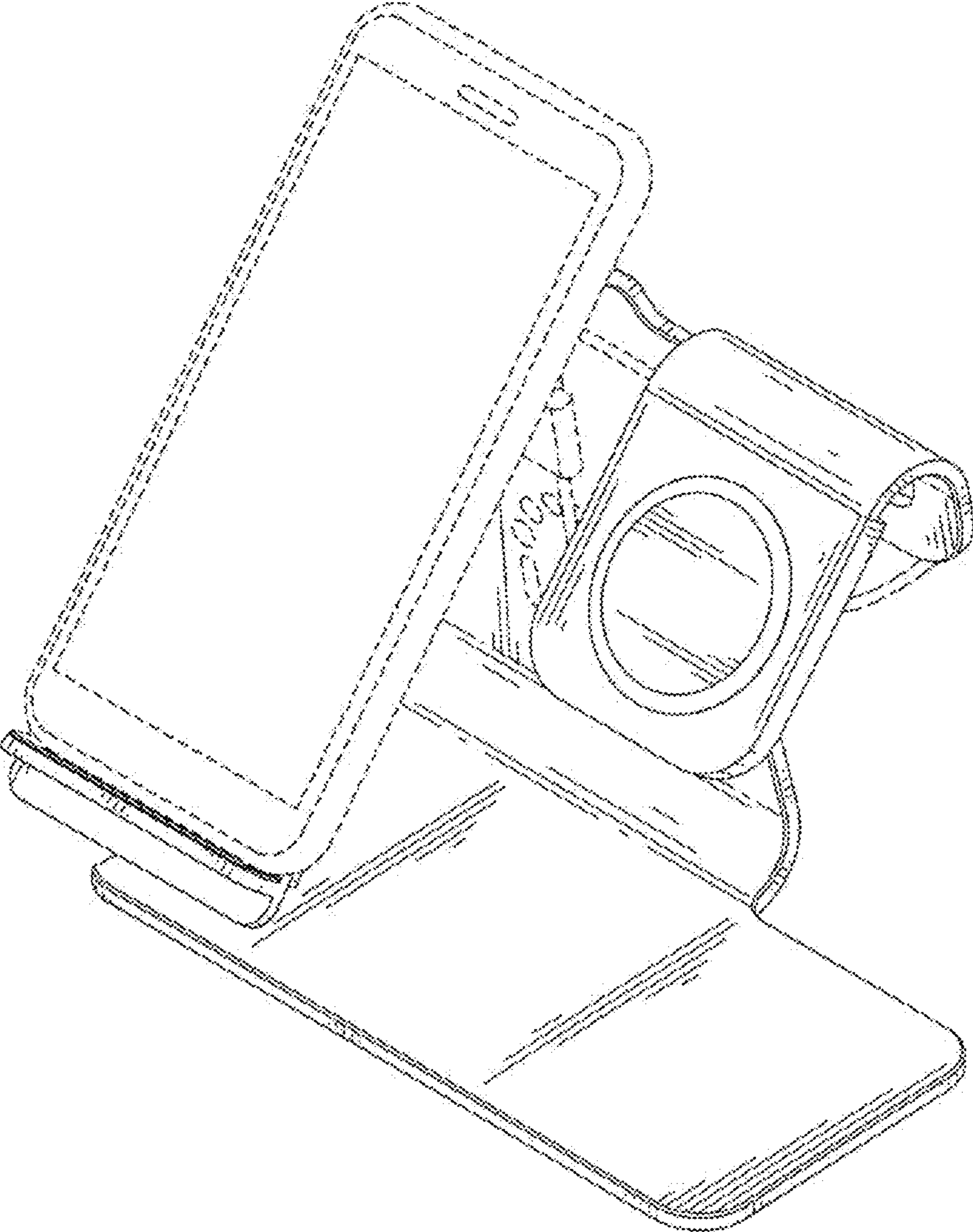


FIG. 9