



US00D840996S

(12) **United States Design Patent**  
**Lambert et al.**

(10) **Patent No.:** **US D840,996 S**  
(45) **Date of Patent:** **\*\* Feb. 19, 2019**

(54) **STAND**

(71) Applicant: **Wally Products, LLC**, Atlanta, GA (US)

(72) Inventors: **Richard B. Lambert**, Atlanta, GA (US); **David A. VanArsdale**, Atlanta, GA (US); **Carolyn E. VanArsdale**, Atlanta, GA (US); **Garrett Simmer**, Atlanta, GA (US)

(73) Assignee: **Wally Products, LLC**, Atlanta, GA (US)

(\*\*) Term: **15 Years**

(21) Appl. No.: **29/575,213**

(22) Filed: **Aug. 23, 2016**

(51) **LOC (11) Cl.** ..... **14-03**

(52) **U.S. Cl.**  
USPC ..... **D14/253**

(58) **Field of Classification Search**

USPC ..... D14/253, 251, 252, 447, 451, 452, 440, D14/434, 458, 432, 439, 457, 460, 238.1, D14/140, 142, 149, 217, 148, 140.8, D14/140.11, 209.1, 151, 140.9, 250, 238; D13/107, 108; D12/415, 223, 114, 420, D12/417, 407, 177; D3/218; D16/242-245, 250, 237, 203, 214, 219; D8/349; D6/675, 672, 673, 675.4, 553, D6/676, 310, 406.3, 406.4, 406.5, 406.6, D6/407, 567, 300, 682.3, 396; 248/459, 248/460; 224/483

(Continued)

(56) **References Cited**

**U.S. PATENT DOCUMENTS**

1,666,400 A 4/1928 Rose  
1,768,675 A 7/1930 Egan

(Continued)

**FOREIGN PATENT DOCUMENTS**

GB 2428970 A 2/2007  
GB 2465989 A 6/2010

**OTHER PUBLICATIONS**

International Patent Application No. PCT/US2014/071497, Search Report and Written Opinion dated Mar. 20, 2015.

(Continued)

*Primary Examiner* — Janice Hallmark

(74) *Attorney, Agent, or Firm* — Kilpatrick Townsend & Stockton LLP

(57) **CLAIM**

The ornamental design for a stand, as shown and described.

**DESCRIPTION**

FIG. 1 is a top front perspective view of a stand in a closed position.

FIG. 2 is a left side elevation view of the stand of FIG. 1, it being understood that the right side elevation view is a mirror image of the left side elevation view.

FIG. 3 is a side detail view of the portion of the stand encircled in FIG. 2 taken at inset circle 3 in FIG. 2.

FIG. 4 is a top plan view of the stand of FIG. 1.

FIG. 5 is a front elevation view of the stand of FIG. 1, it being understood that the rear elevation view is identical to the front elevation view.

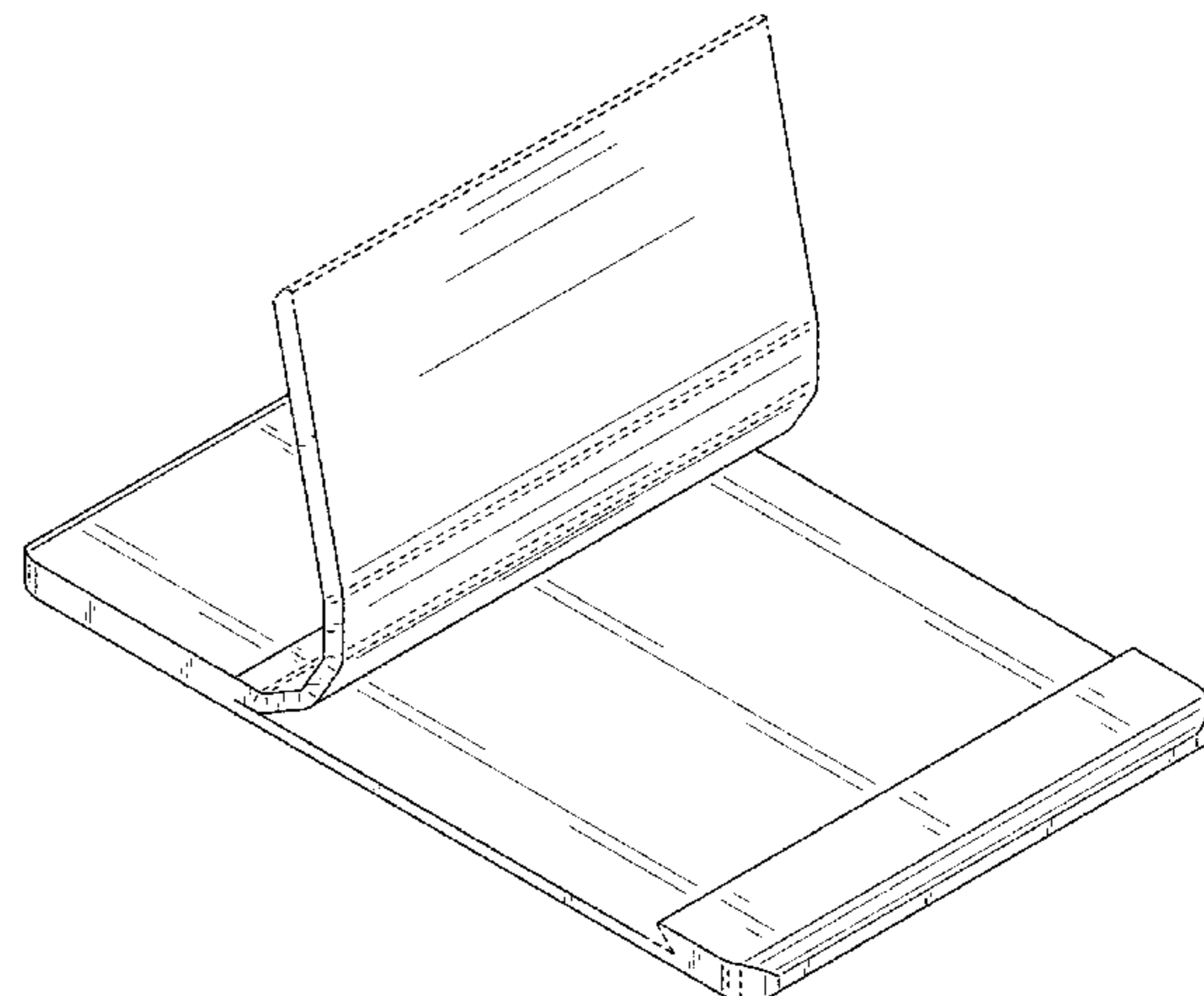
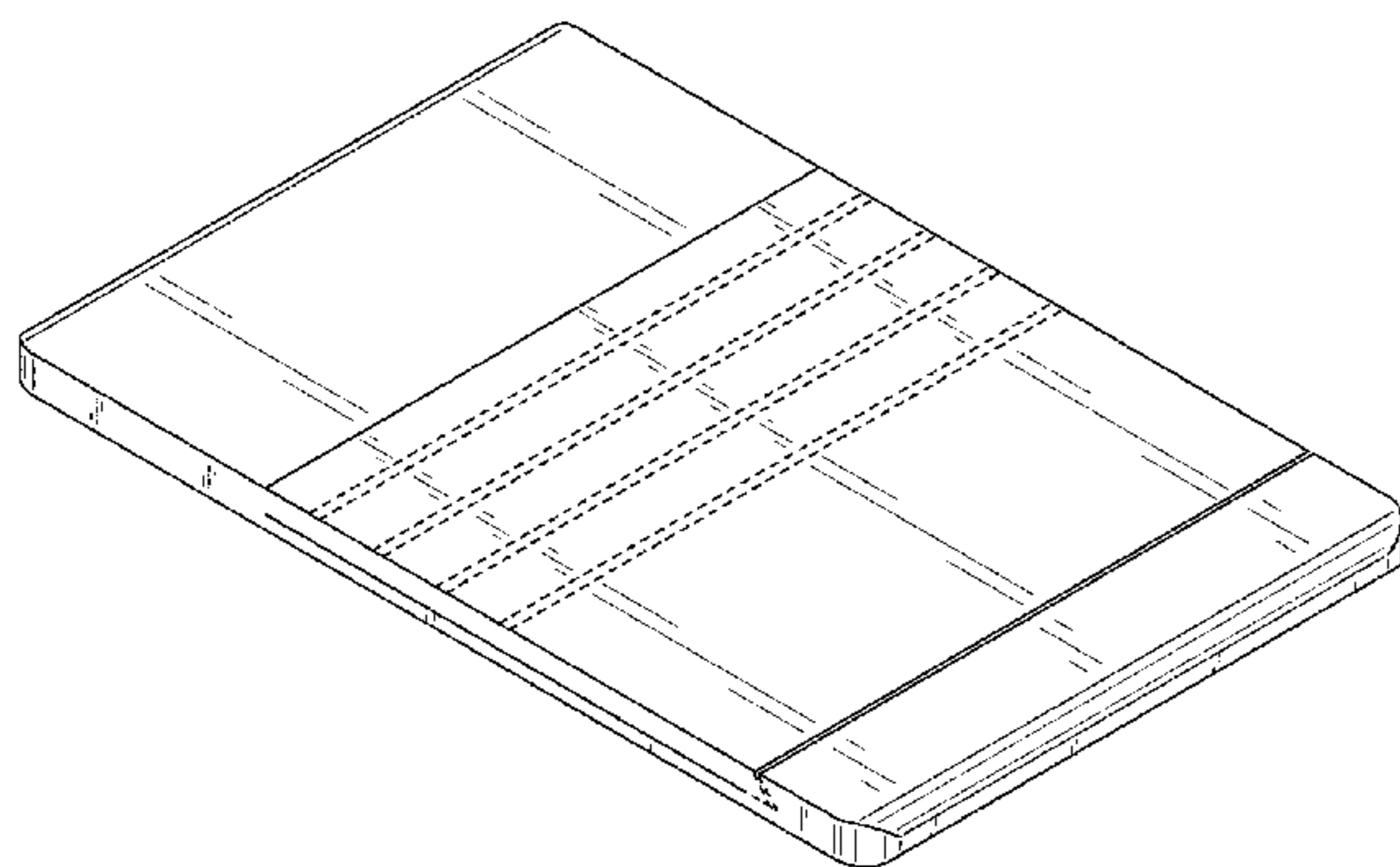
FIG. 6 is a bottom plan view of the stand of FIG. 1.

FIG. 7 is a top front perspective view of the stand of FIG. 1 in an open position; and,

FIG. 8 is a top rear perspective view of the stand of FIG. 1 in an open position.

The long dash-dot-dot-long dash broken lines in FIG. 2 and FIG. 3 encircling the portion of the stand shown in the detail view forms no part of the claimed design.

**1 Claim, 8 Drawing Sheets**



# US D840,996 S

Page 2

(58) **Field of Classification Search**

CPC ..... B60R 2011/0008; B60R 11/02; B60R 11/0241; B60R 11/0258; B60R 11/0252; B60R 2011/0294; F16M 11/00; F16M 11/04; F16M 11/041; F16M 11/02; F16M 11/06; F16M 13/00; H04M 1/02; H04M 1/04; H04M 1/11; H04M 1/12; A47F 7/022; B62J 11/00; H05K 7/00; G03B 17/56

See application file for complete search history.

(56) **References Cited**

U.S. PATENT DOCUMENTS

1,769,719 A 7/1930 Smith  
2,019,802 A \* 11/1935 Sproull ..... B41L 1/16  
206/215  
4,817,905 A 4/1989 Rondone  
4,932,529 A 6/1990 Levine  
5,234,190 A 8/1993 Cross  
5,388,798 A 2/1995 Glick  
6,527,117 B2 3/2003 Adkins et al.  
7,712,719 B2 5/2010 Derry  
7,861,995 B2 1/2011 Liou  
D639,816 S 6/2011 Bau  
D643,223 S \* 8/2011 Harding ..... D6/310  
D645,463 S \* 9/2011 Kao ..... D14/253  
8,282,065 B1 \* 10/2012 Stone ..... A47B 23/044  
16/221  
8,312,991 B2 11/2012 Diebel et al.  
8,746,638 B2 6/2014 Carney  
D714,806 S \* 10/2014 Fujioka ..... D14/447  
8,950,720 B1 \* 2/2015 Carr ..... A47B 23/044  
248/454  
D723,536 S \* 3/2015 Werth ..... D14/253  
9,227,763 B2 \* 1/2016 Gengler ..... B65D 25/00  
9,249,922 B2 \* 2/2016 Haarburger ..... F16M 11/38  
D752,593 S \* 3/2016 Diebel ..... G06F 1/1679  
D14/440  
D757,163 S \* 5/2016 Kim ..... D18/50  
9,356,640 B2 \* 5/2016 Lambert ..... H04B 1/3877  
D760,214 S \* 6/2016 Kemper ..... D14/253  
D779,478 S \* 2/2017 Justiss ..... D14/253

9,762,713 B2 9/2017 Lambert et al.  
9,813,533 B1 \* 11/2017 Ye ..... H04M 1/11  
9,872,560 B2 \* 1/2018 McGrane ..... A47B 23/04  
D819,038 S \* 5/2018 Diebel ..... D14/440  
D824,391 S \* 7/2018 Melmon ..... D14/440  
10,010,204 B2 \* 7/2018 Cronin ..... A47G 23/032  
2010/0090085 A1 4/2010 Corrion  
2010/0213331 A1 \* 8/2010 Liou ..... F16M 11/105  
248/176.3  
2011/0253850 A1 \* 10/2011 Bau ..... H04M 1/0214  
248/176.3  
2012/0037285 A1 2/2012 Diebel  
2012/0074271 A1 3/2012 Goetz  
2012/0181410 A1 \* 7/2012 Ku ..... A47B 23/042  
248/453  
2012/0318950 A1 12/2012 Wilber  
2013/0165188 A1 6/2013 Carney  
2015/0180524 A1 6/2015 Lambert  
2016/0069508 A1 \* 3/2016 Haymond ..... F16M 11/38  
29/857

OTHER PUBLICATIONS

Newest 360 Degree Rotating Leather Stand Case w/ Holder, Cases in the Box, Oct. 29, 2013, <http://www.casesinthebox.com>.  
Gary Ng, ClearShot Is a Handy Credit Card Sized Smartphone Stand, iPhone in Canada, Aug. 11, 2012, retrieved from: <http://www.iphoneincanada.ca/accessories/clearshot-is-a-handy-credit-card-sized-smartphone-stand/>.  
Rick Broida, The Four Best Phone Stands Money Can't Buy, Mar. 22, 2010, retrieved from: [http://howto.cnet.com/8301-11310\\_39-10469907-285/the-four-best-phone-stands-money-cant-buy/](http://howto.cnet.com/8301-11310_39-10469907-285/the-four-best-phone-stands-money-cant-buy/).  
Janet Cloningeron, A Phone Stand You Can Carry in Your Wallet, Dec. 20, 2011, retrieved from <http://the-gadgeteer.com/2011/12/20/a-phone-stand-you-can-carry-in-your-wallet/>.  
Targus cover and stand for iPad, retrieved from: [http://zapp5.staticworld.net/reviews/graphics/products/uploaded/targus\\_versavu\\_cover\\_and\\_stand\\_for\\_ipad\\_2\\_939070\\_g1.jpg](http://zapp5.staticworld.net/reviews/graphics/products/uploaded/targus_versavu_cover_and_stand_for_ipad_2_939070_g1.jpg); believed to be available as early as Feb. 3, 2014.  
Nite Ize, Inc., Mobile Device Stand, Quikstand™, photograph; believed to be available as early as Jan. 18, 2014.  
U.S. Appl. No. 14/577,102, Notice of Allowance dated Feb. 1, 2016.  
U.S. Appl. No. 14/577,102, Office Action dated Nov. 19, 2015.

\* cited by examiner

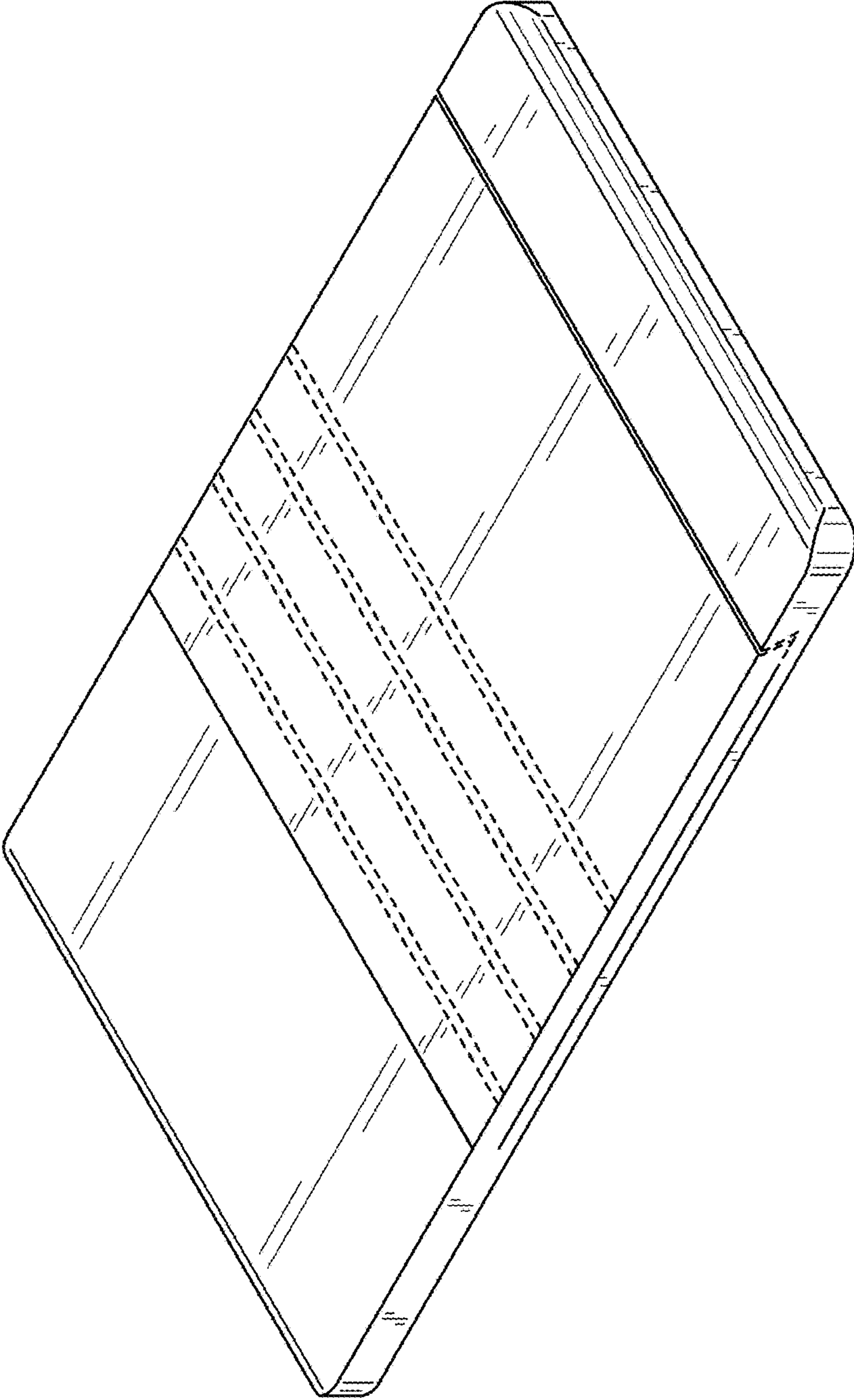


FIG. 1



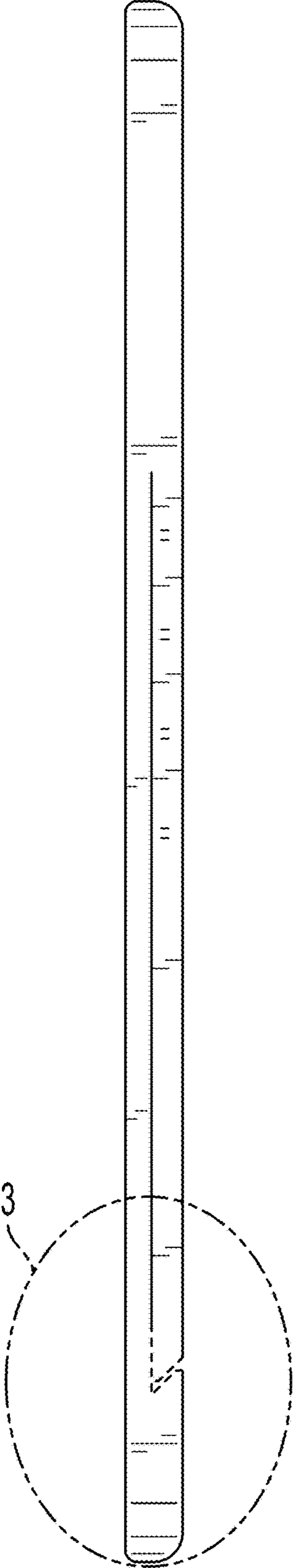


FIG. 2

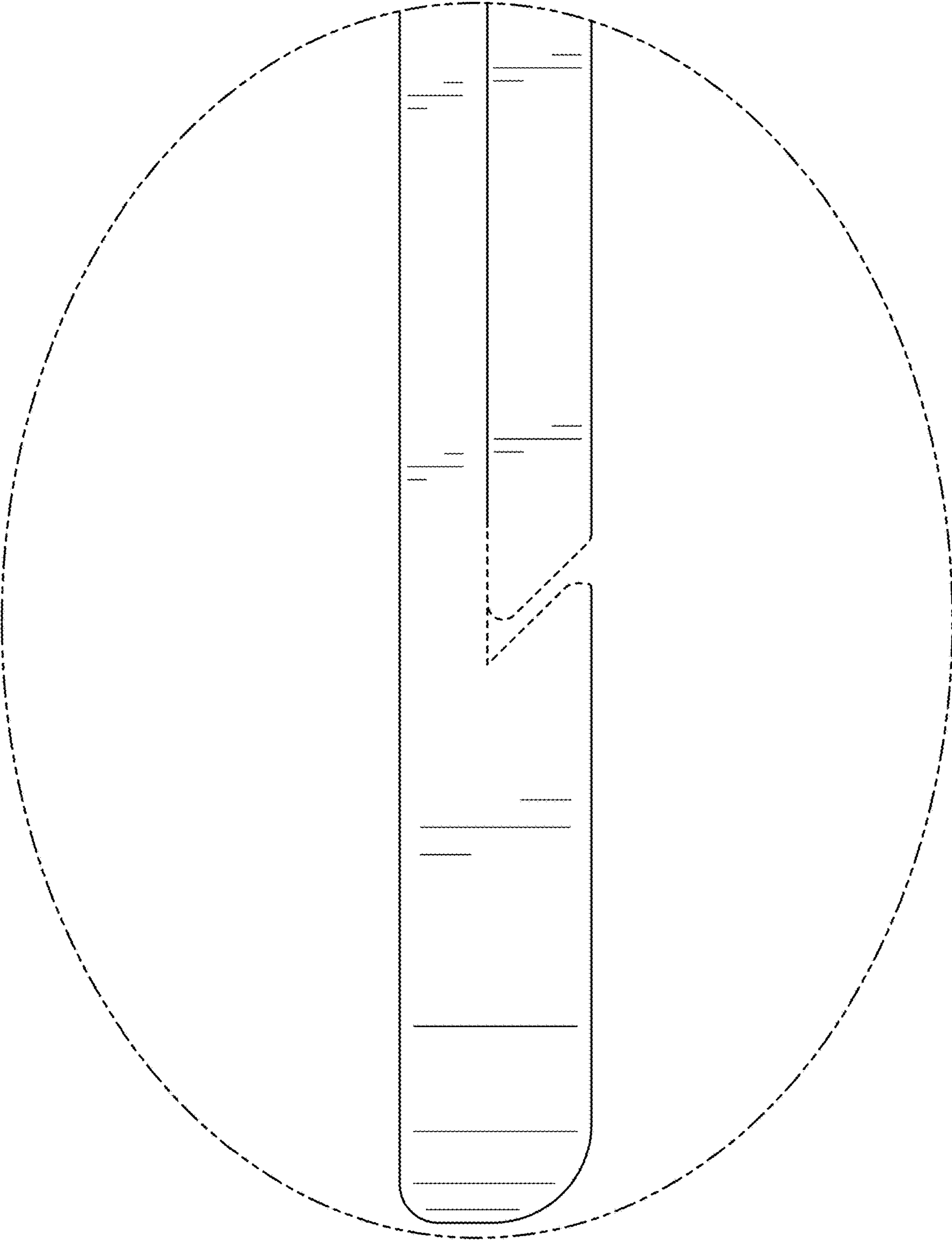


FIG. 3

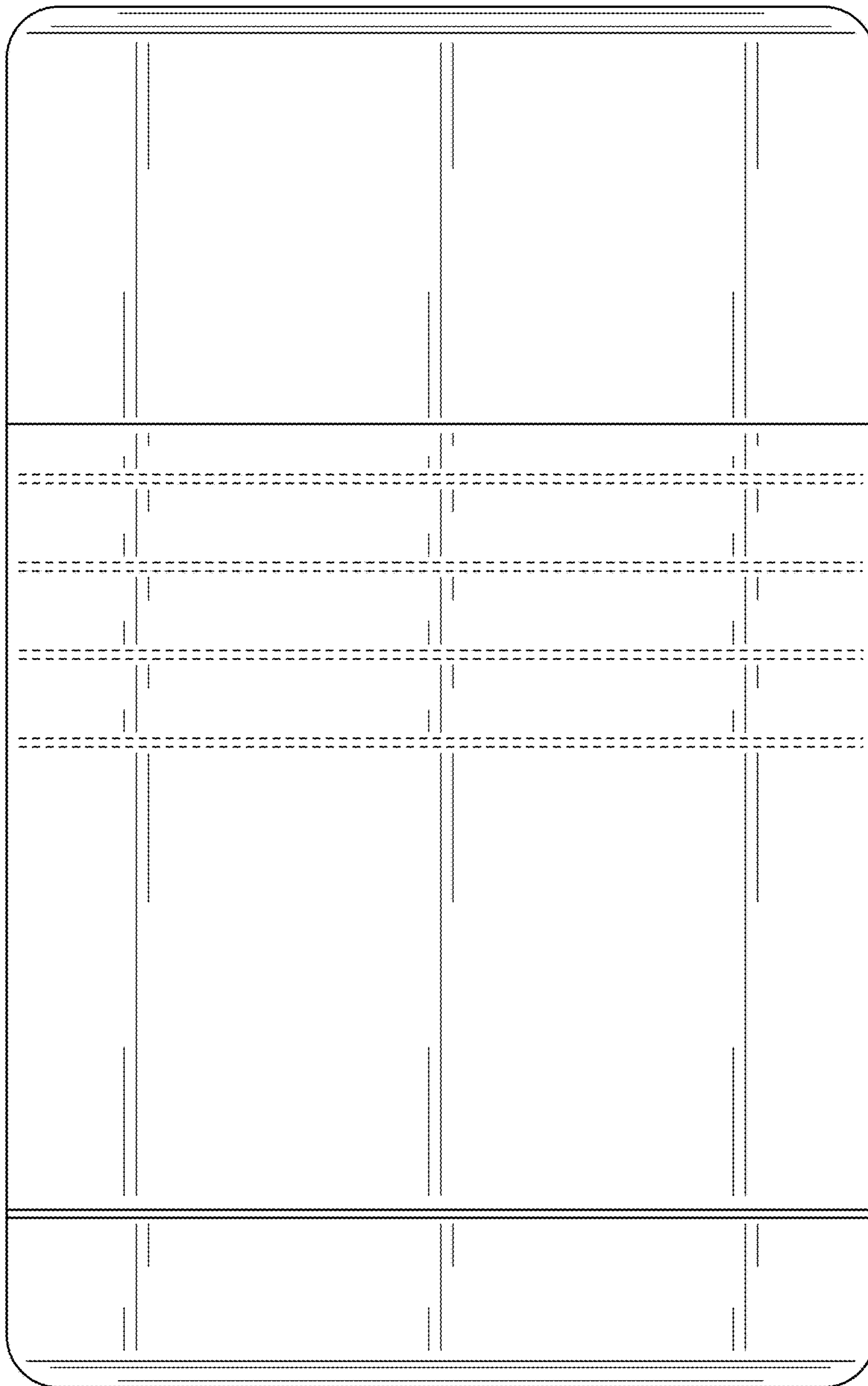


FIG. 4



FIG. 5

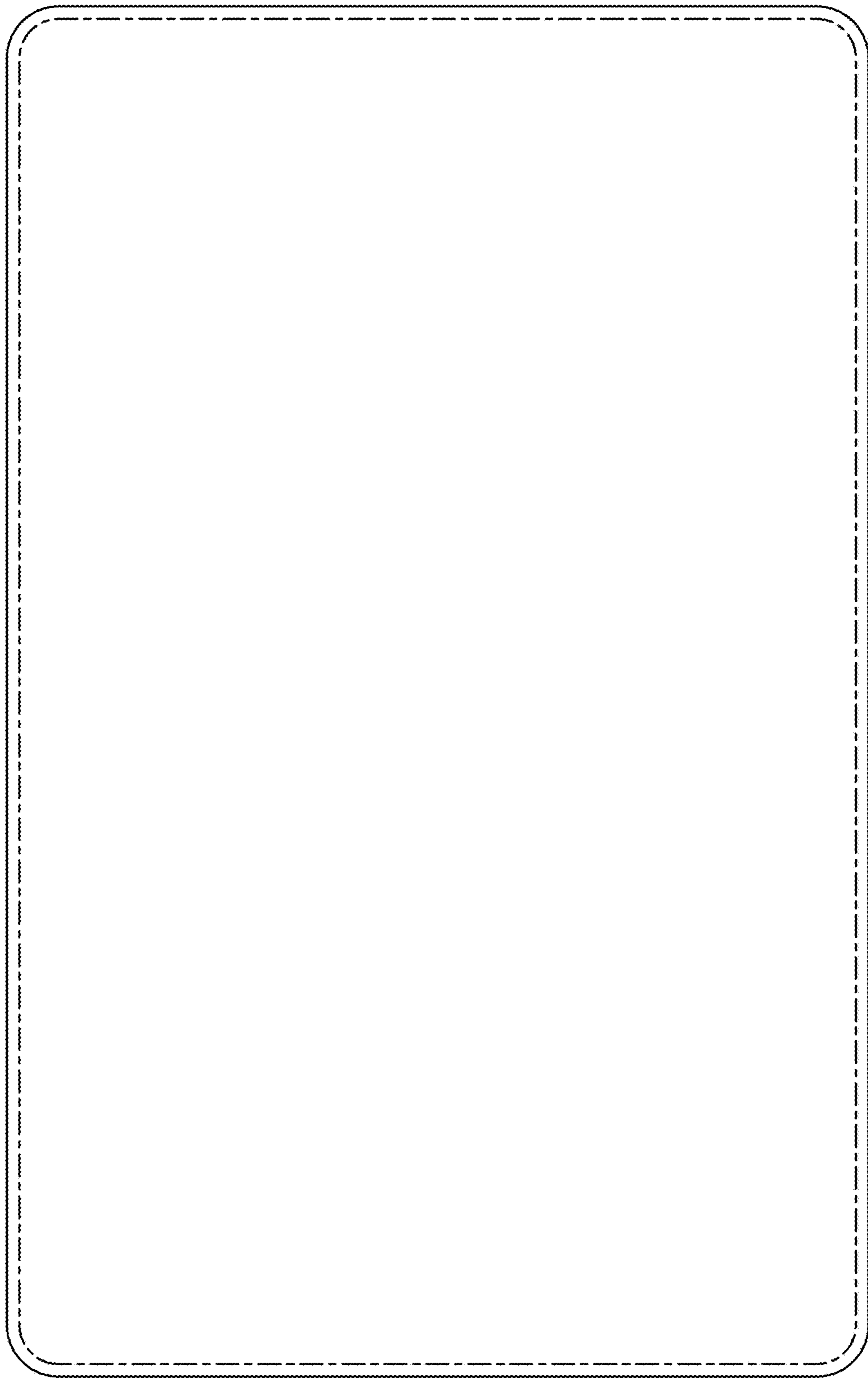


FIG. 6



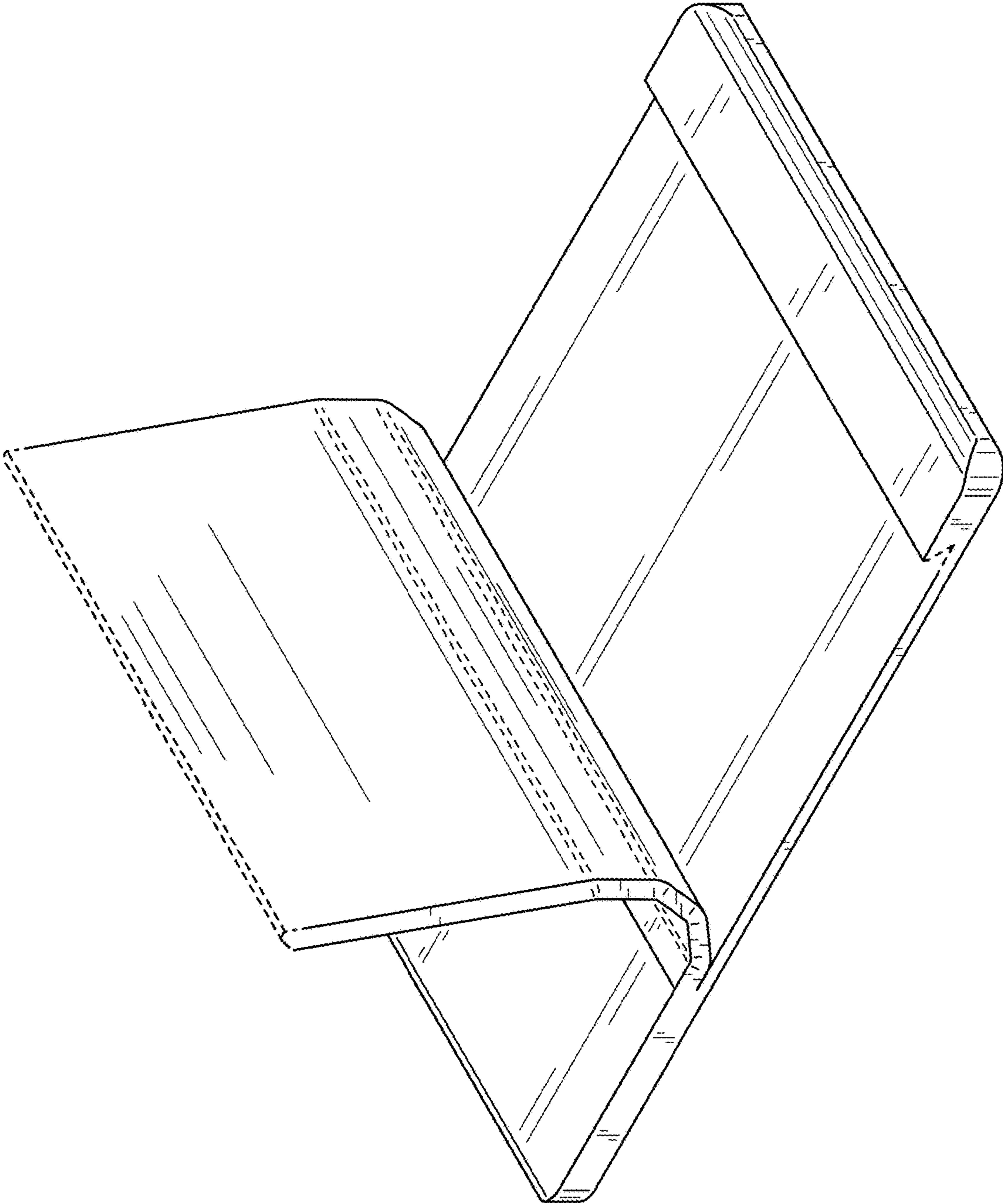


FIG. 7

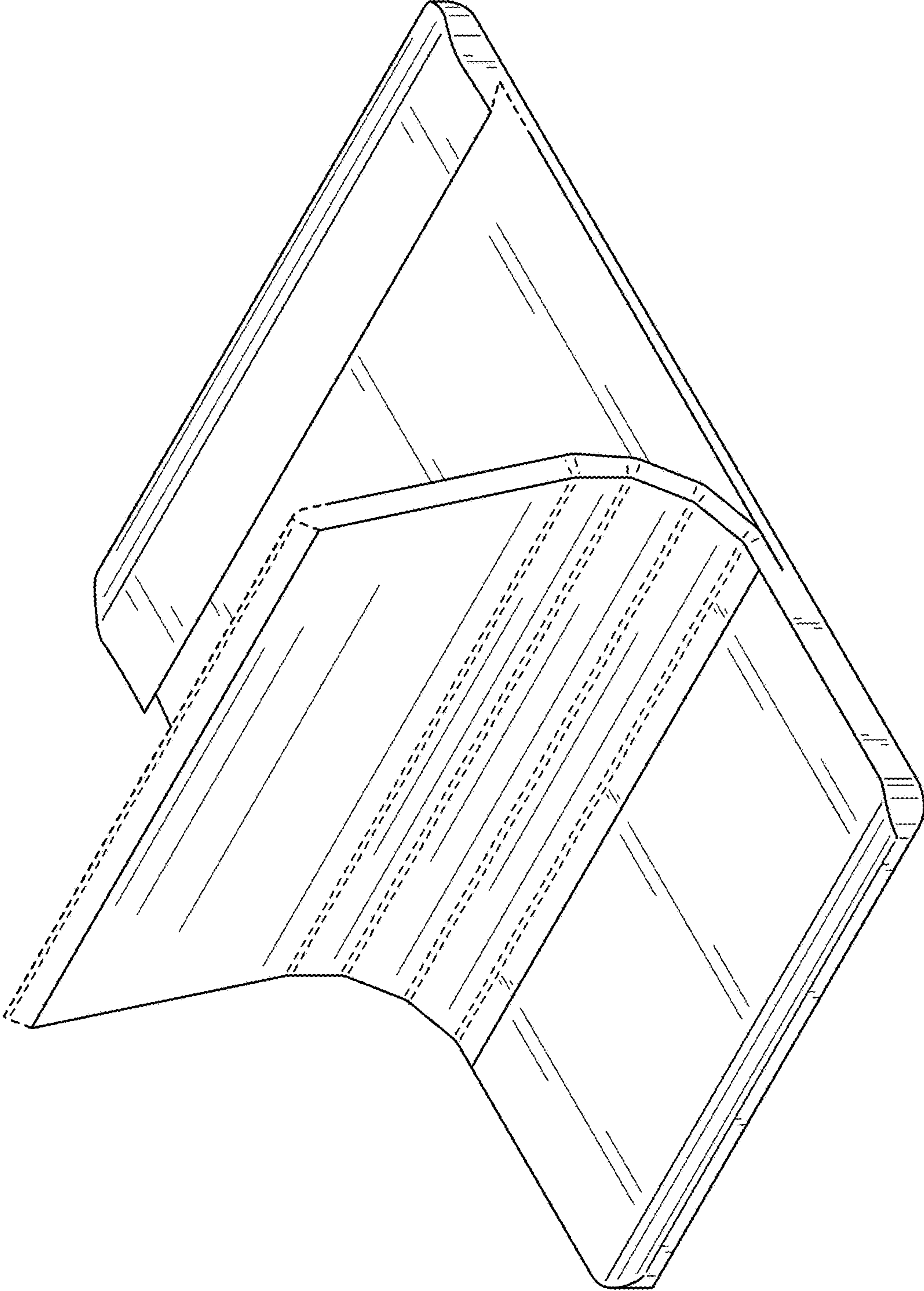


FIG. 8