



US00D840995S

(12) **United States Design Patent**  
**Balmer**

(10) **Patent No.:** **US D840,995 S**

(45) **Date of Patent:** **\*\* Feb. 19, 2019**

(54) **CLIP FOR AN ELECTRONIC DEVICE**

(71) Applicant: **Daymen US, Inc.**, Petaluma, CA (US)

(72) Inventor: **Noah Balmer**, Santa Rosa, CA (US)

(73) Assignee: **Vitec Holdings Italia SRL**, Cassola (IT)

(\*\*) Term: **15 Years**

(21) Appl. No.: **29/545,333**

(22) Filed: **Nov. 12, 2015**

(51) **LOC (11) Cl.** ..... **14-03**

(52) **U.S. Cl.**  
USPC ..... **D14/253**

(58) **Field of Classification Search**  
USPC ..... D14/251, 252, 253, 447, 452; D12/415;  
D16/242

CPC ..... F16M 13/022; H04M 1/02  
See application file for complete search history.

(56) **References Cited**

U.S. PATENT DOCUMENTS

D654,081 S *	2/2012	Richter	.....	D14/452
D684,980 S *	6/2013	Chun	.....	D14/447
D685,804 S *	7/2013	Richter	.....	D14/253
D697,515 S *	1/2014	Adelman	.....	D14/447
D711,867 S *	8/2014	Harris	.....	D14/253
D712,394 S *	9/2014	Booth	.....	D14/253
D721,074 S *	1/2015	Harris	.....	D14/253
D727,333 S *	4/2015	Shih	.....	D14/447
D739,410 S *	9/2015	Chun	.....	D14/447
D742,387 S *	11/2015	Xiang	.....	D14/447
D744,473 S *	12/2015	Tsai	.....	D14/251
D757,705 S *	5/2016	Esses	.....	D14/251
D765,651 S *	9/2016	Liu	.....	D14/253
D768,125 S *	10/2016	Kim	.....	D14/253
D769,860 S *	10/2016	Xiao	.....	D14/253
D775,116 S *	12/2016	Abrahams	.....	D14/253
D780,168 S *	2/2017	Du	.....	D14/253

(Continued)

*Primary Examiner* — Janice Hallmark

(74) *Attorney, Agent, or Firm* — Michael A. Guth

(57) **CLAIM**

The ornamental design for a clip for an electronic device, as shown and described.

**DESCRIPTION**

FIG. 1 is a perspective view of a clip for an electronic device in a first configuration.

FIG. 2 is a right side view of a clip for an electronic device in a first configuration.

FIG. 3 is a left side view of a clip for an electronic device in a first configuration.

FIG. 4 is a rear view of a clip for an electronic device in a first configuration.

FIG. 5 is a front view of a clip for an electronic device in a first configuration.

FIG. 6 is a top view of a clip for an electronic device in a first configuration.

FIG. 7 is a bottom view of a clip for an electronic device in a first configuration.

FIG. 8 is a front view of a clip for an electronic device in a second configuration with the main clip portion rotated 90 degrees.

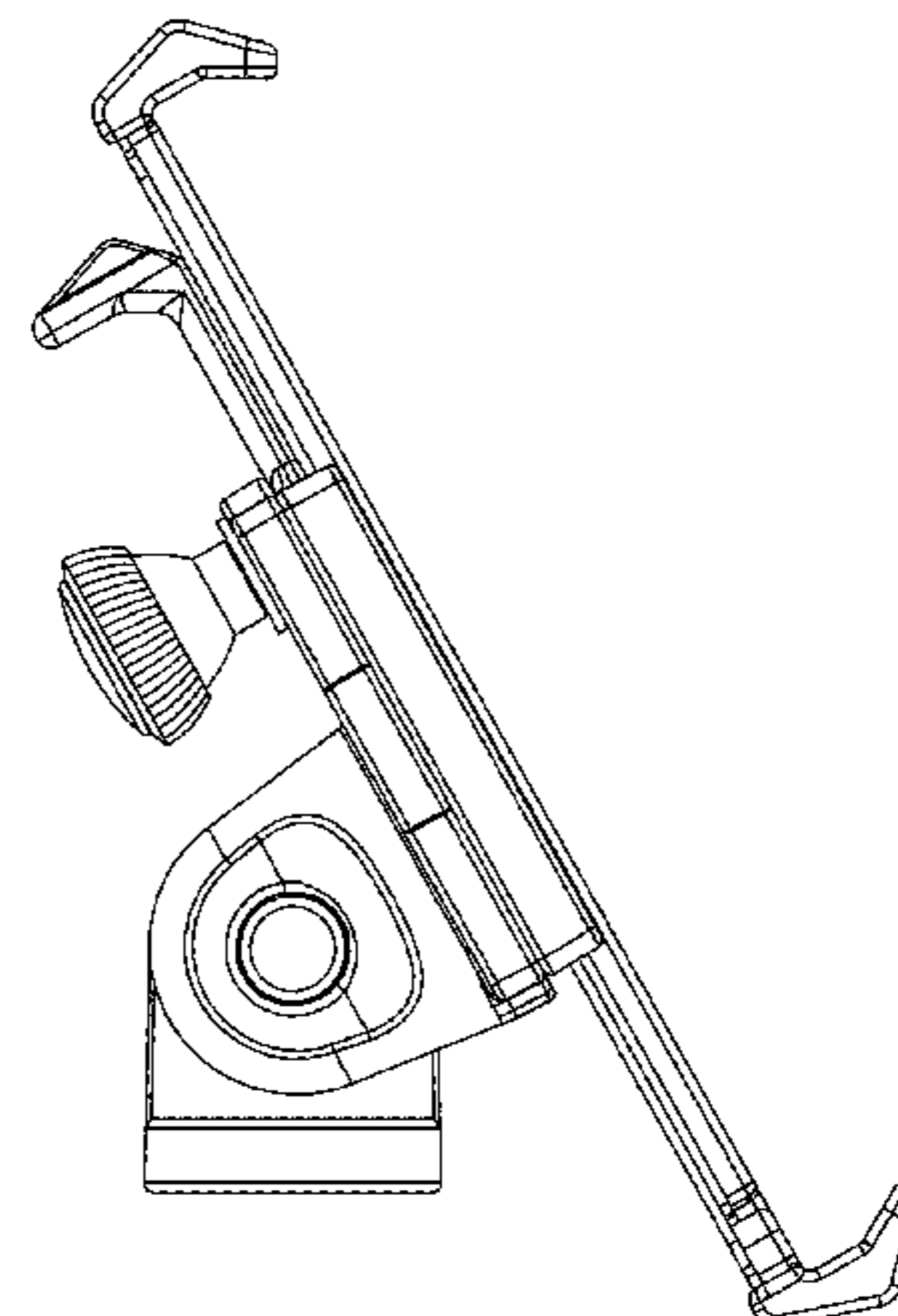
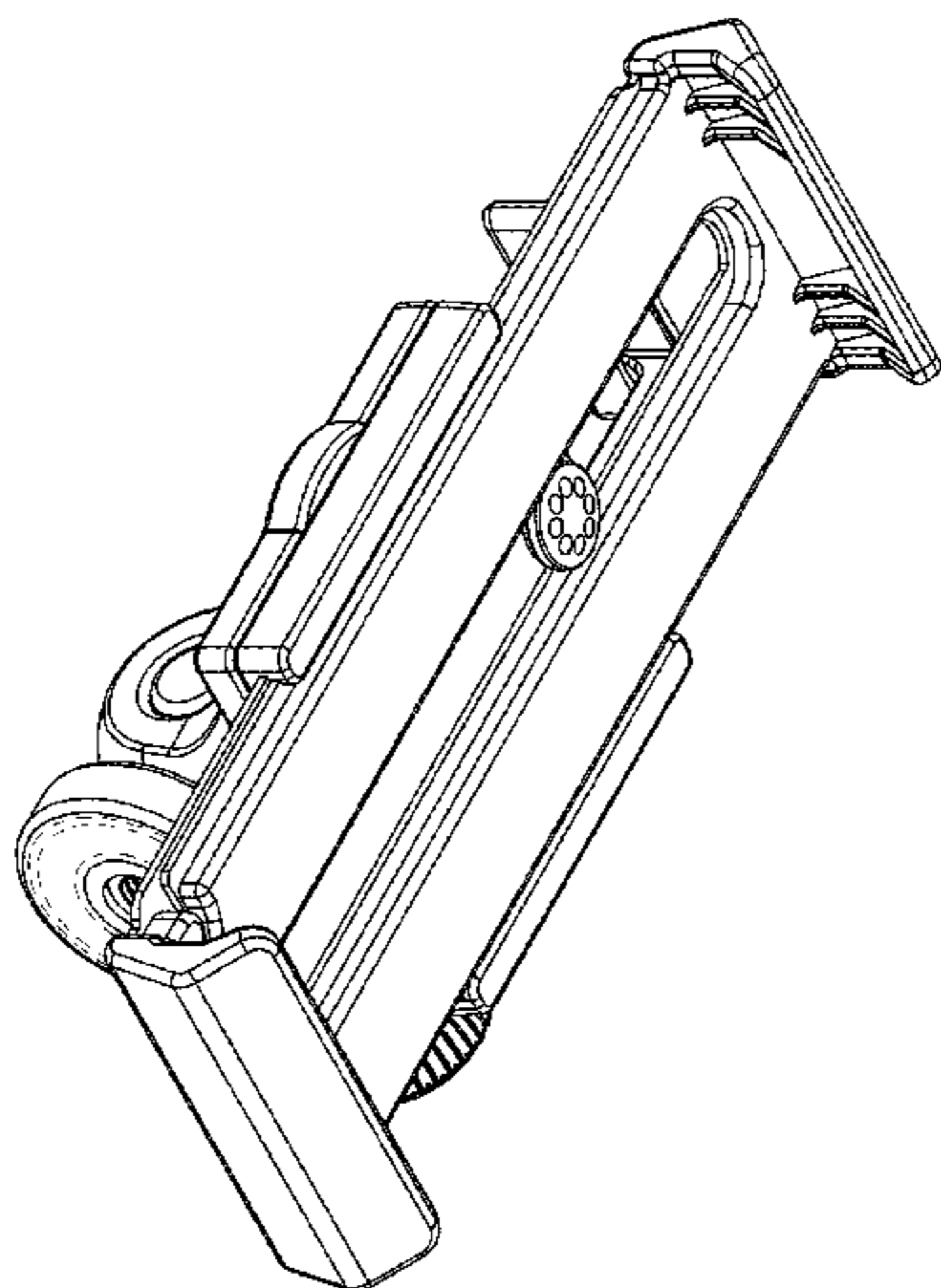
FIG. 9 is a rear view of a clip for an electronic device in a second configuration with the main clip portion rotated 90 degrees.

FIG. 10 is a left side view of a clip for an electronic device in third configuration with the upper portion tilted back 45 degrees; and,

FIG. 11 is a perspective view of a clip for an electronic device in fourth configuration with the main clip portion rotated 90 degrees and the upper portion tilted back 45 degrees.

The broken lines in the drawings depict parts of the clip for an electronic device that form no part of the claimed design.

**1 Claim, 11 Drawing Sheets**



(56)

References Cited

U.S. PATENT DOCUMENTS

D780,743 S \* 3/2017 Chun ..... D14/253  
 D782,462 S \* 3/2017 Huang ..... D14/253  
 D783,012 S \* 4/2017 Lee ..... D14/253  
 D783,014 S \* 4/2017 Chun ..... D14/253  
 D783,592 S \* 4/2017 Ju ..... D14/253  
 D784,977 S \* 4/2017 Ormsbee ..... D14/253  
 D796,421 S \* 9/2017 Huang ..... D12/415  
 D799,448 S \* 10/2017 Zheng ..... D14/217  
 D799,466 S \* 10/2017 Sukphist ..... D14/253  
 D807,371 S \* 1/2018 Bertelle ..... D14/447  
 9,924,005 B1 \* 3/2018 McElderry ..... H04M 1/11  
 D815,104 S \* 4/2018 Bertelle ..... D14/447  
 9,956,923 B2 \* 5/2018 Minn ..... B60R 11/02  
 2005/0236536 A1 \* 10/2005 Fan ..... B60R 11/02  
 248/176.3  
 2012/0025036 A1 \* 2/2012 Huang ..... F16M 11/041  
 248/122.1

2012/0273637 A1 \* 11/2012 Huang ..... F16M 11/041  
 248/291.1  
 2014/0042285 A1 \* 2/2014 Carnevali ..... B60R 11/02  
 248/316.4  
 2014/0097306 A1 \* 4/2014 Hale ..... F16M 13/022  
 248/122.1  
 2014/0138419 A1 \* 5/2014 Minn ..... B60R 11/0241  
 224/567  
 2014/0263931 A1 \* 9/2014 Chen ..... F16M 11/041  
 248/576  
 2015/0191124 A1 \* 7/2015 Du ..... F16M 13/022  
 248/205.4  
 2015/0192155 A1 \* 7/2015 Chen ..... H04N 5/2251  
 348/376  
 2017/0072872 A1 \* 3/2017 Balmer ..... F16M 13/022  
 2017/0264329 A1 \* 9/2017 Balmer ..... H04B 1/385  
 2017/0293208 A1 \* 10/2017 Hale ..... G03B 17/566  
 2018/0035020 A1 \* 2/2018 Pan ..... B64D 1/08  
 2018/0043840 A1 \* 2/2018 Minn ..... B60R 11/02

\* cited by examiner

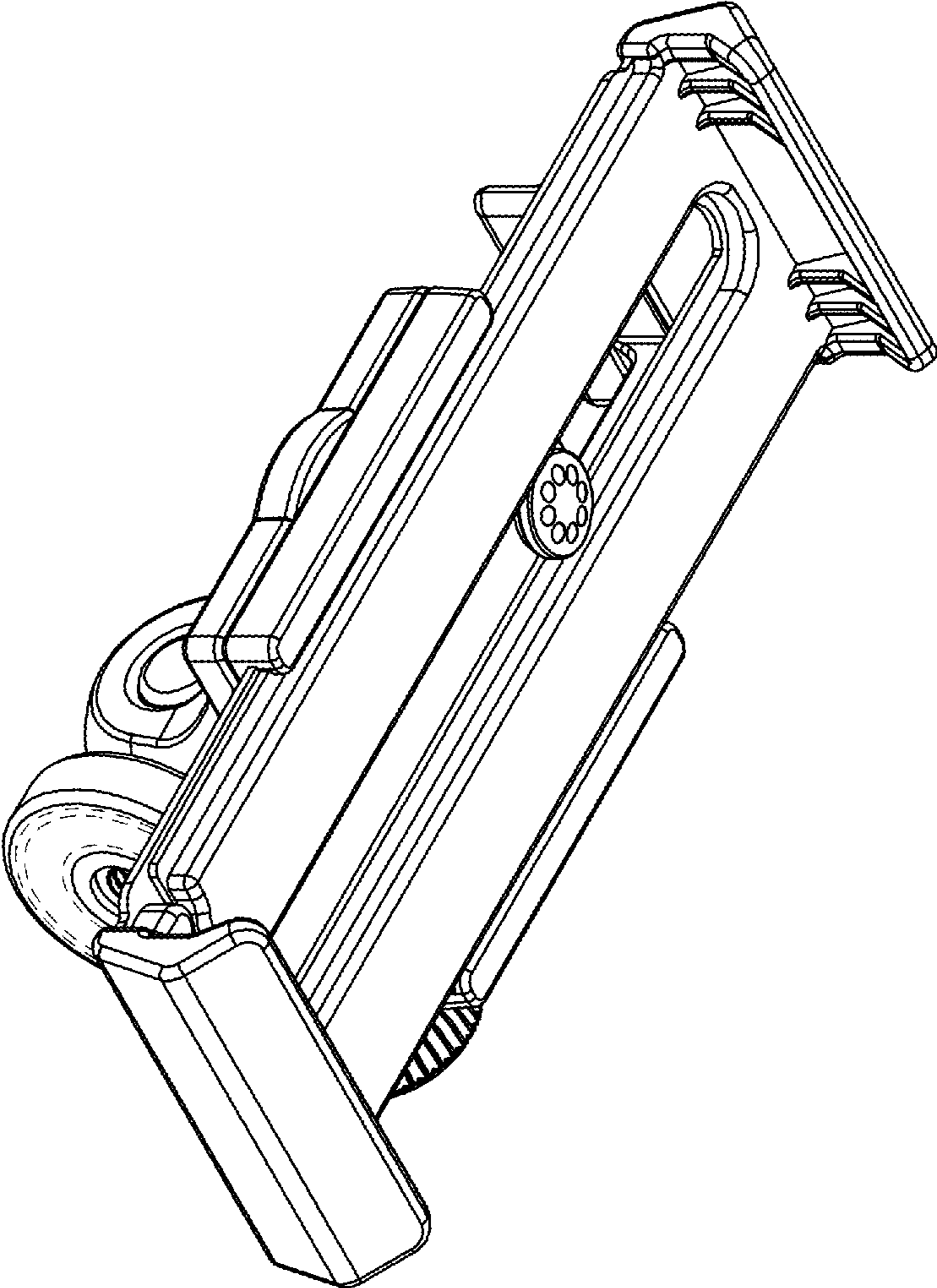


FIG. 1

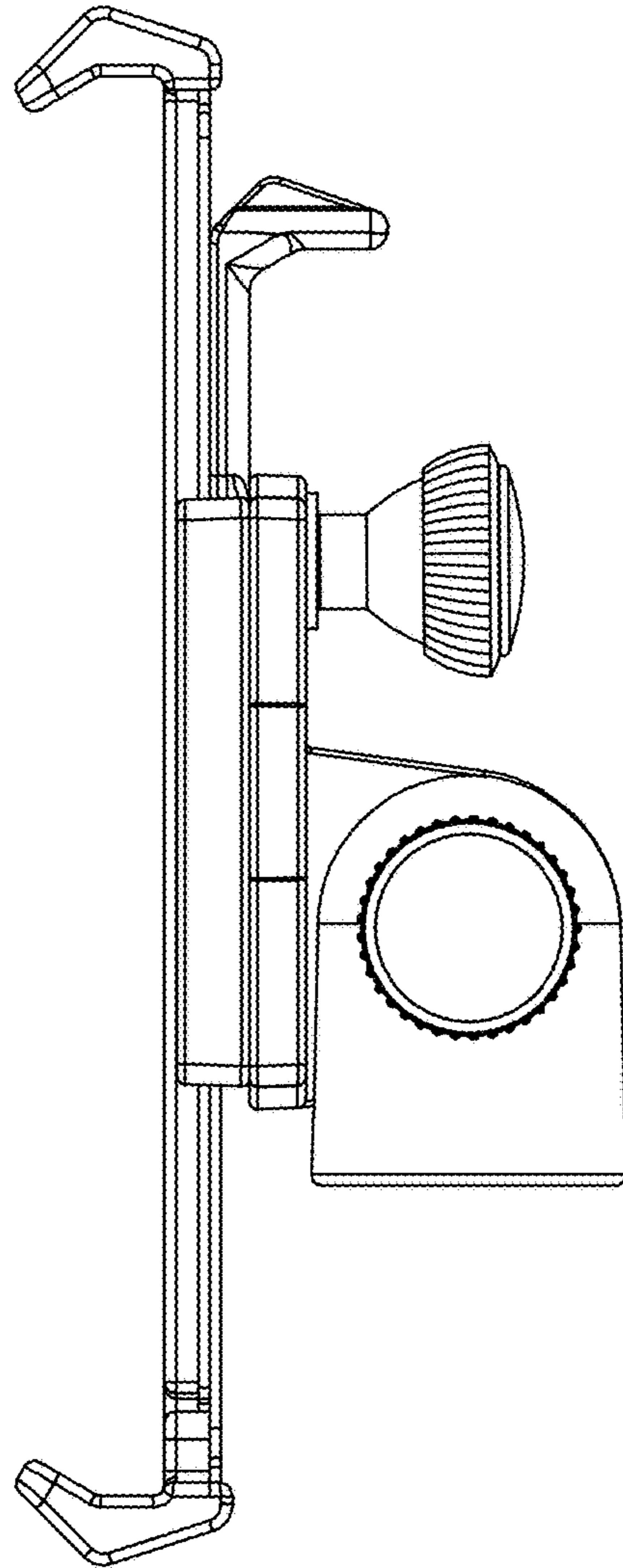


FIG. 2



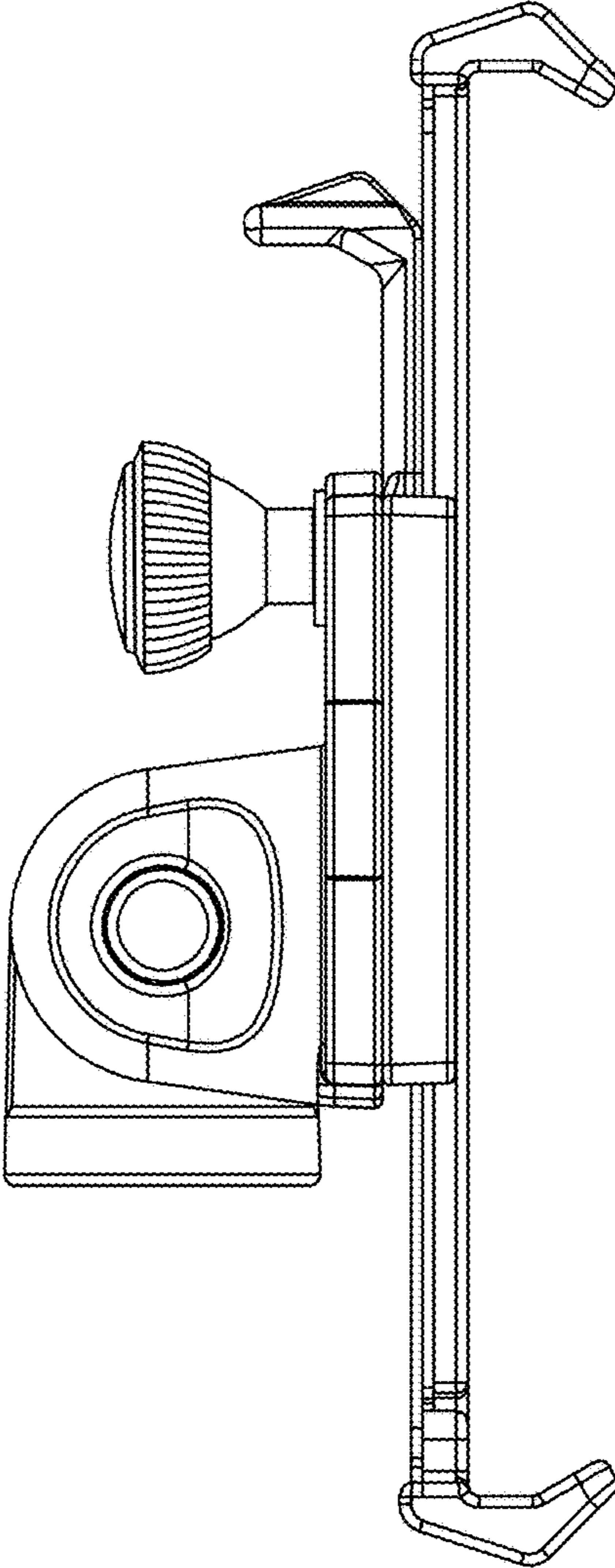


FIG. 3

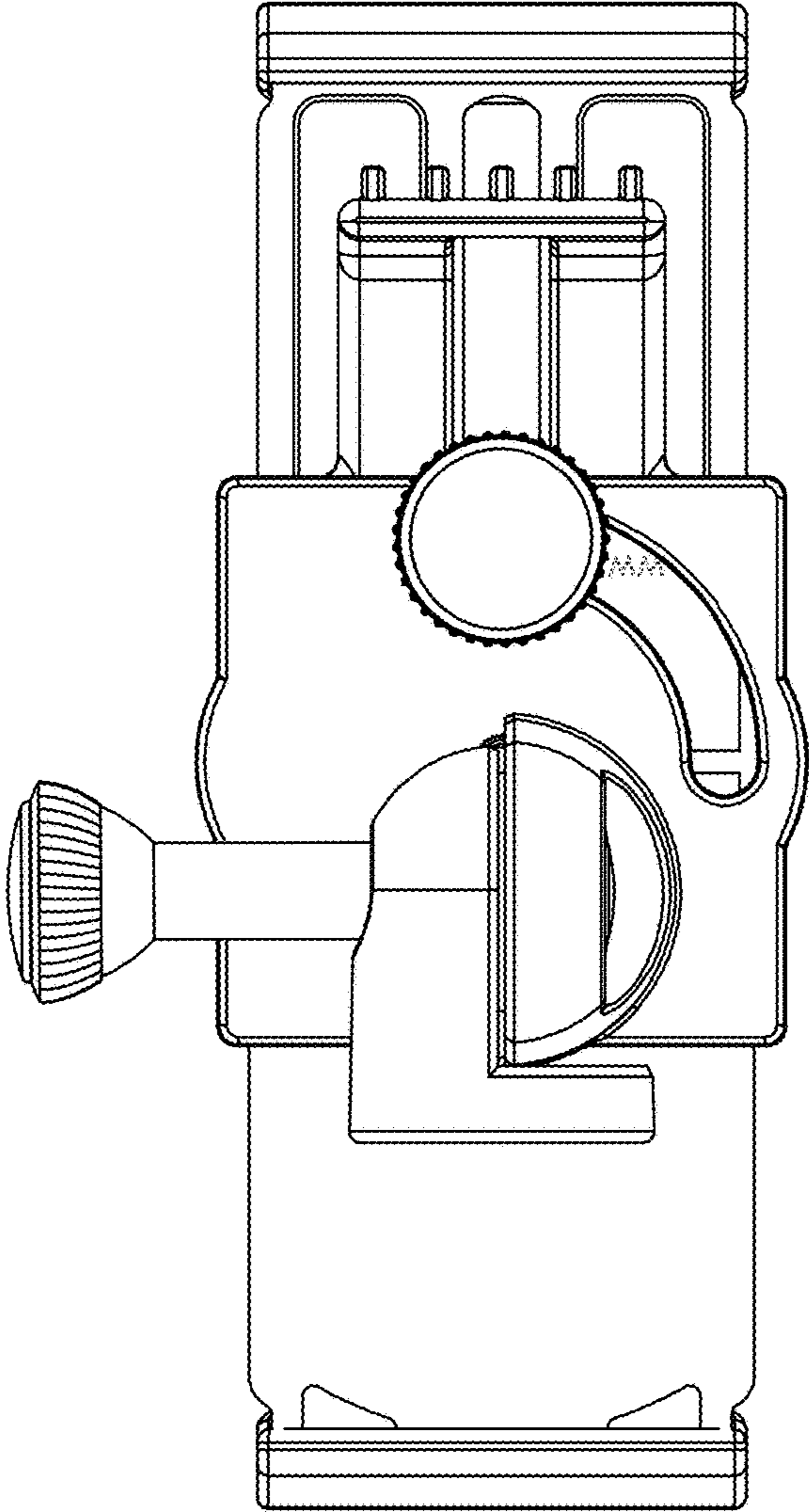


FIG. 4

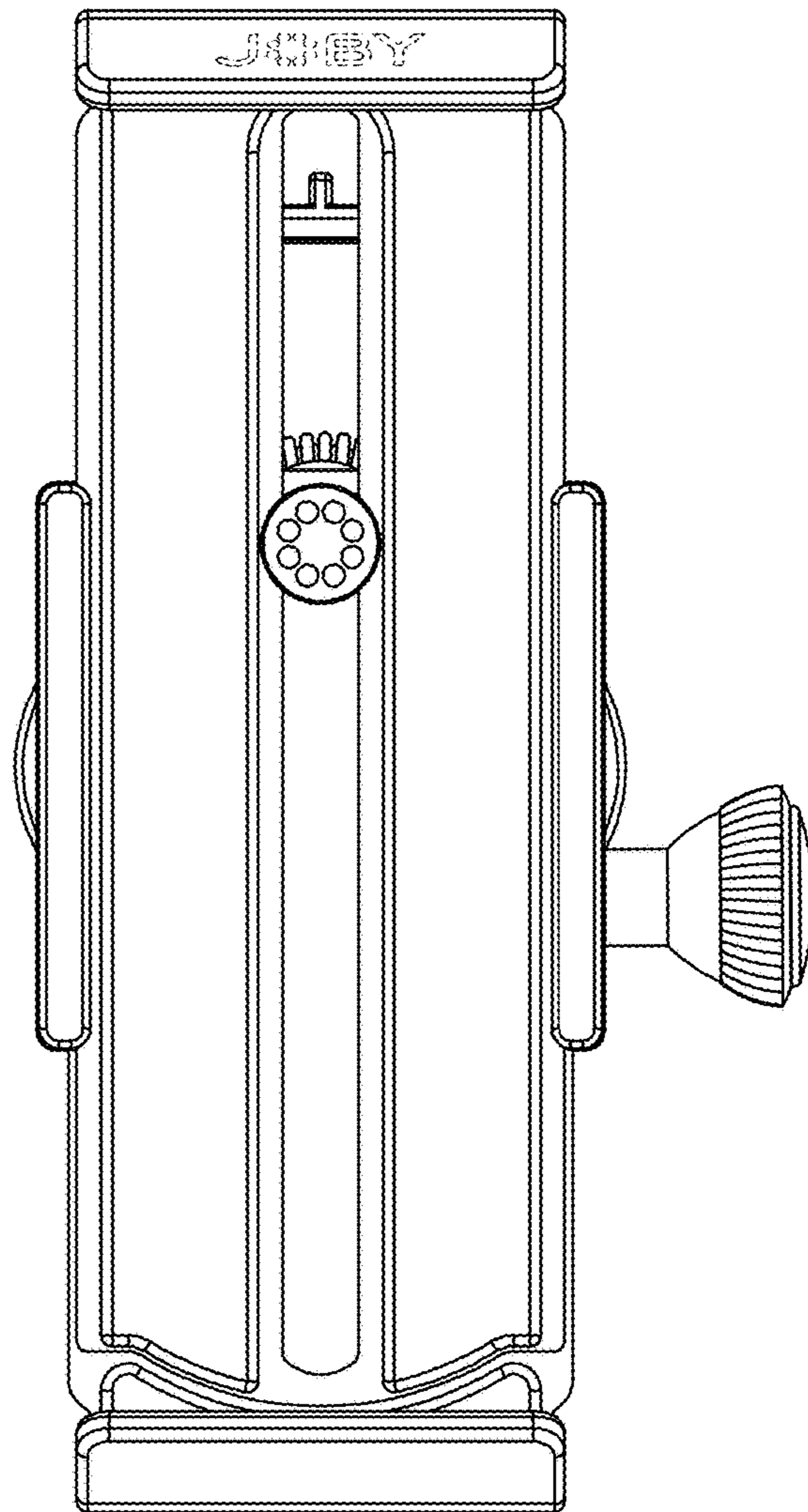


FIG. 5

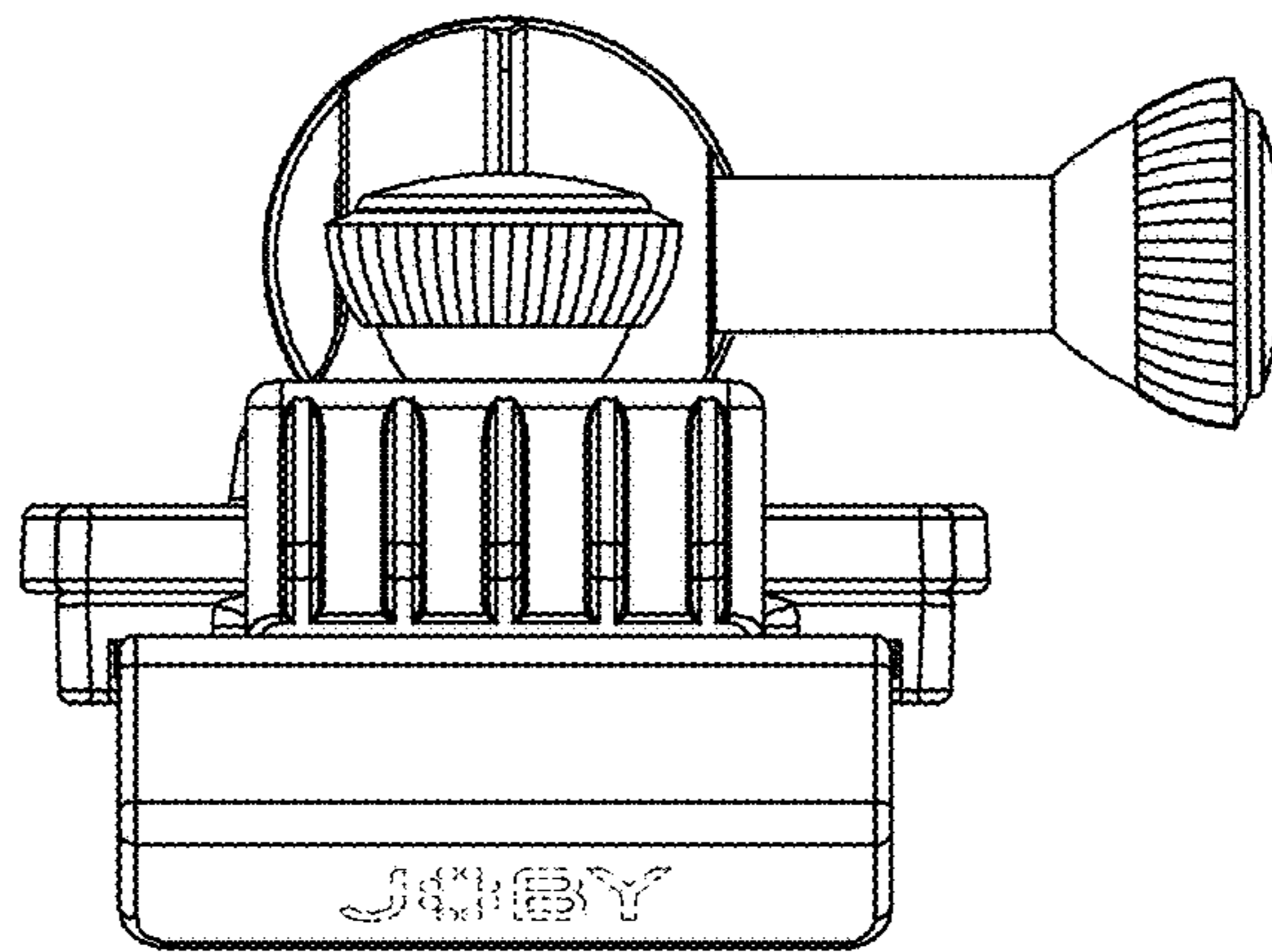


FIG. 6



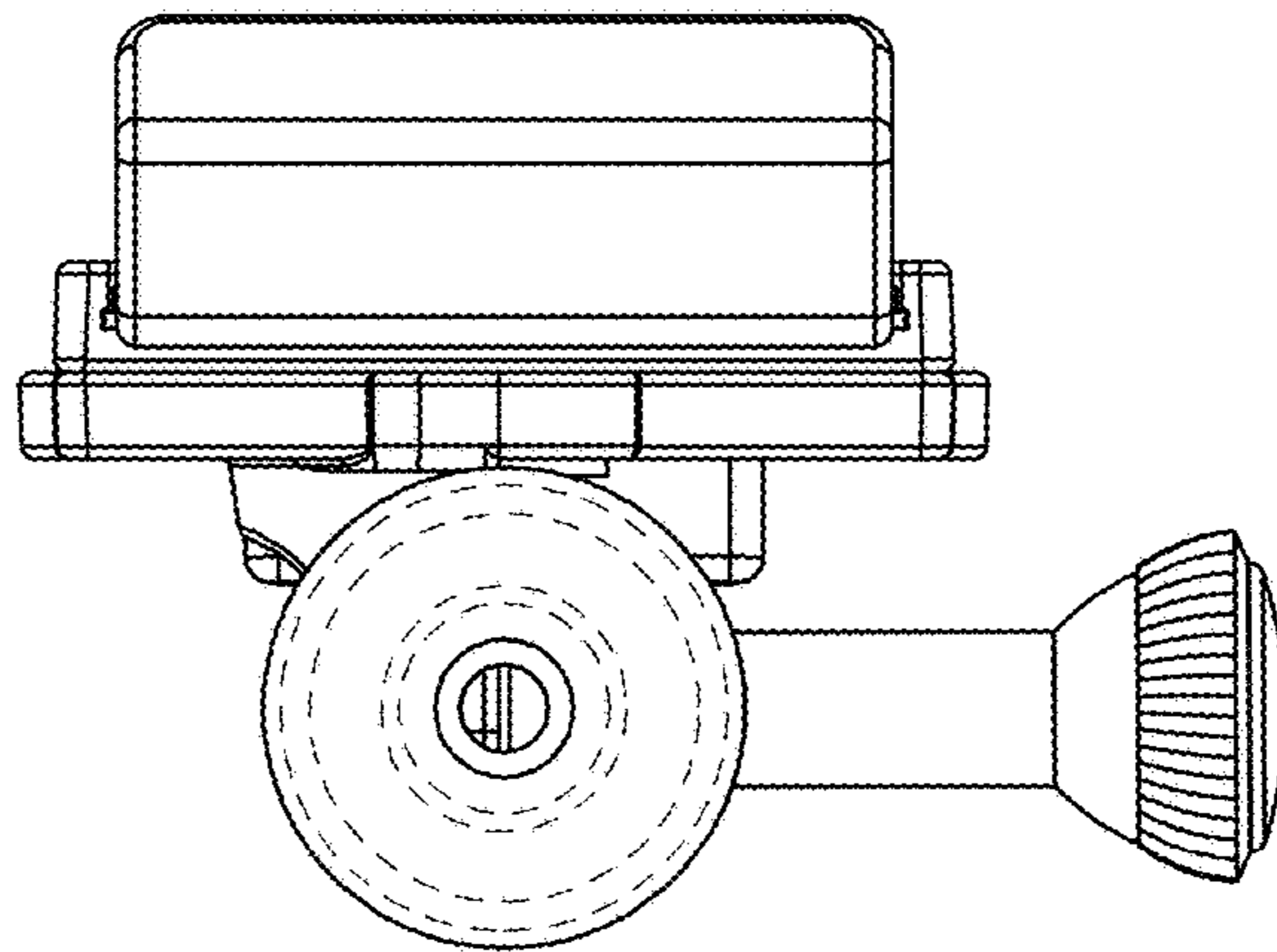


FIG. 7

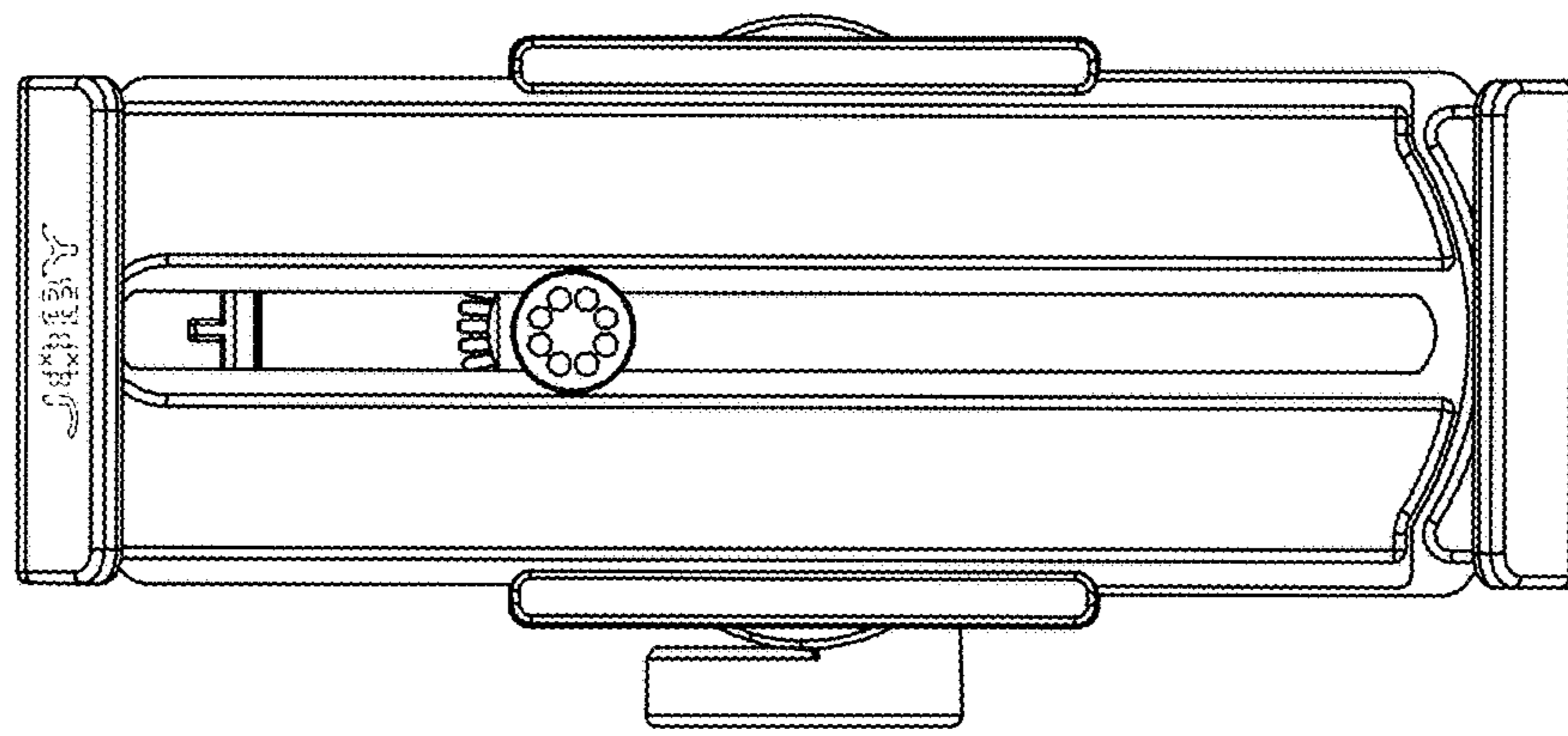


FIG. 8

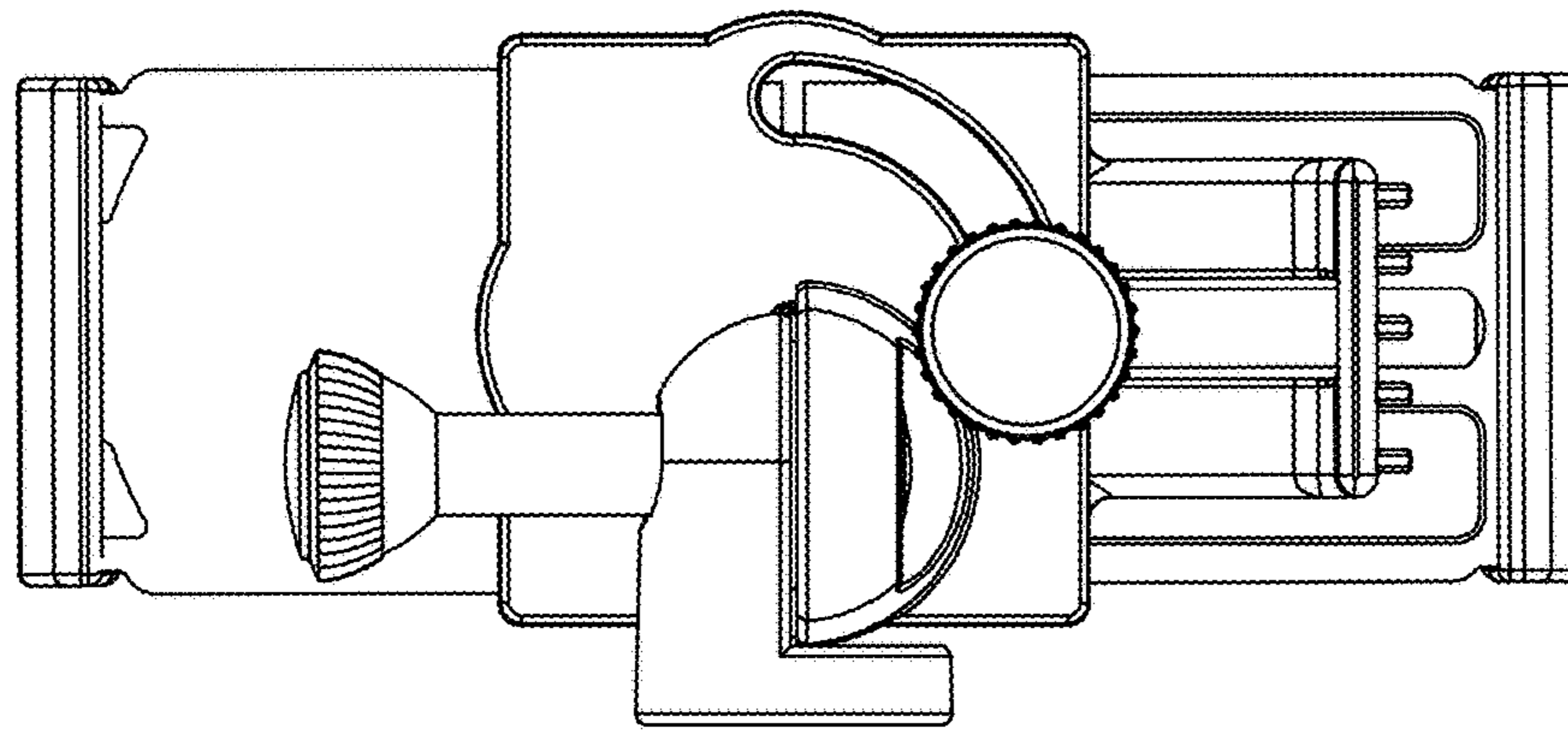


FIG. 9

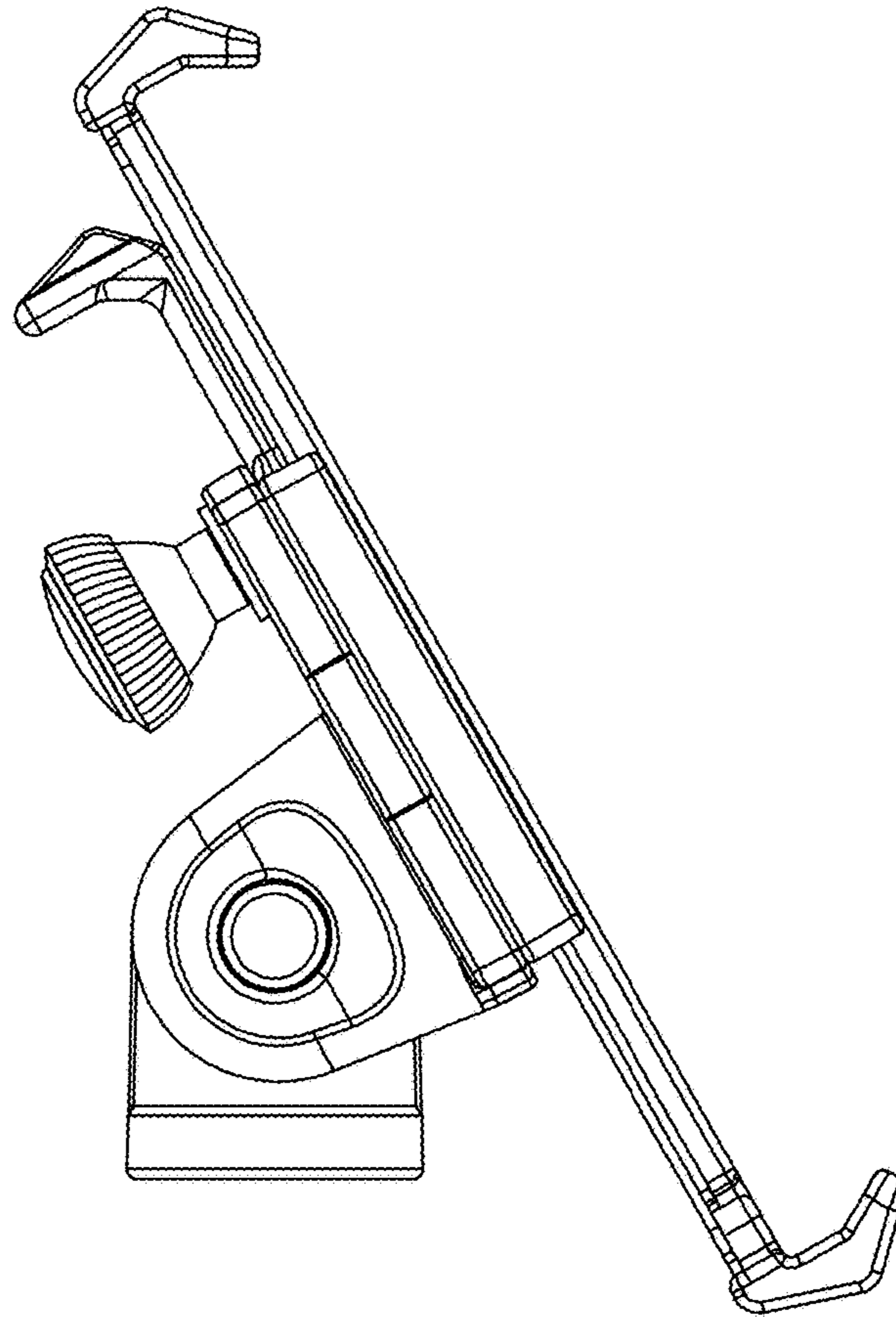


FIG. 10

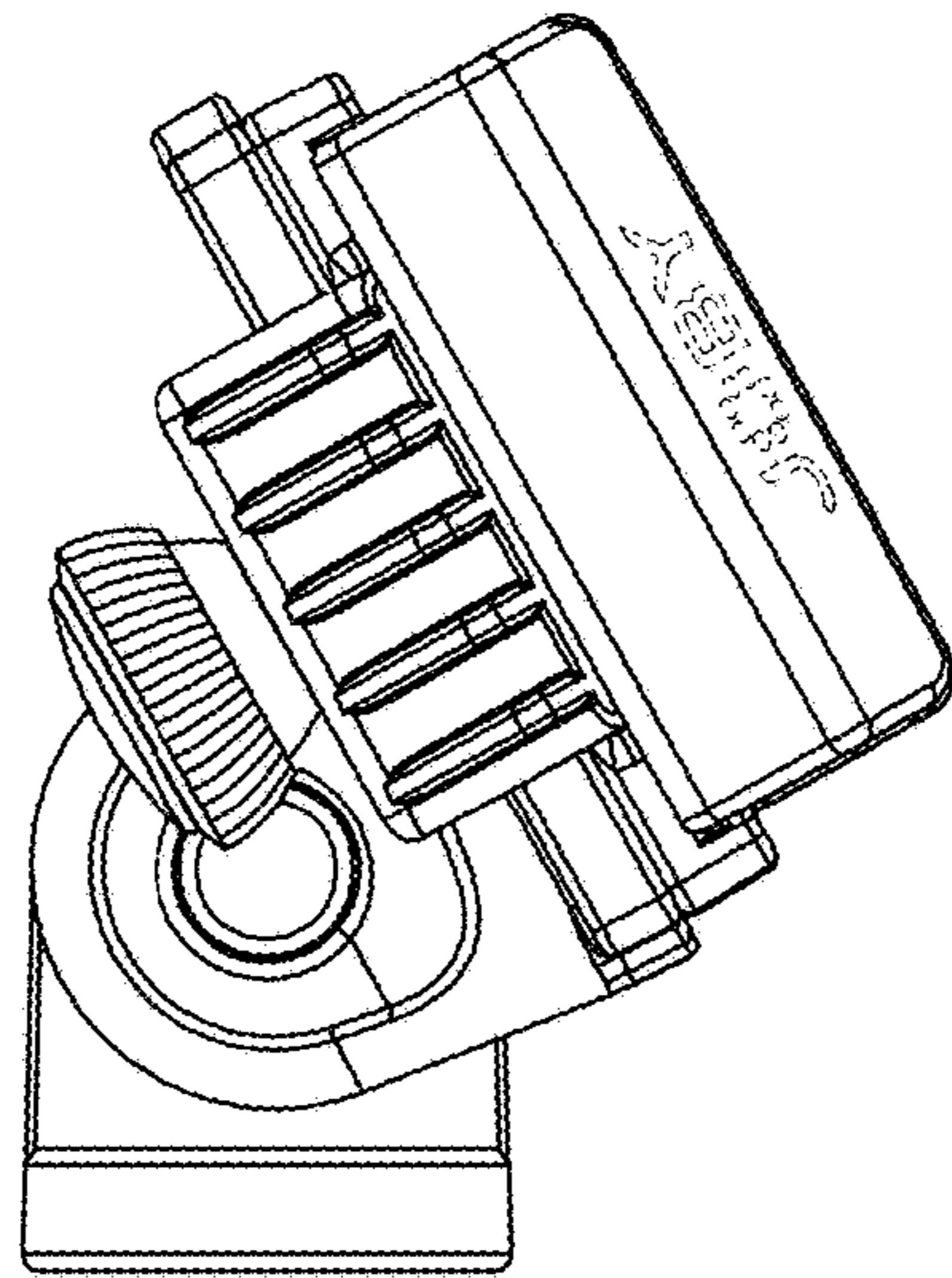


FIG. 11