



US00D840994S

(12) **United States Design Patent**  
**Balmer**

(10) **Patent No.:** **US D840,994 S**

(45) **Date of Patent:** **\*\* Feb. 19, 2019**

(54) **CLIP FOR AN ELECTRONIC DEVICE**

(71) Applicant: **Daymen US, Inc.**, Petaluma, CA (US)

(72) Inventor: **Noah Balmer**, Santa Rosa, CA (US)

(73) Assignee: **Vitec Holdings Italia SRL**, Cassola (IT)

(\*\*) Term: **15 Years**

(21) Appl. No.: **29/544,320**

(22) Filed: **Nov. 2, 2015**

(51) **LOC (11) Cl.** ..... **14-03**

(52) **U.S. Cl.**  
USPC ..... **D14/253**

(58) **Field of Classification Search**  
USPC ..... D14/251, 252, 253, 447; D12/415;  
D16/242

CPC ..... F16M 13/022; H04M 1/02  
See application file for complete search history.

(56) **References Cited**

U.S. PATENT DOCUMENTS

D711,867 S *	8/2014	Harris	.....	D14/253
D712,394 S *	9/2014	Booth	.....	D14/253
D721,074 S *	1/2015	Harris	.....	D14/253
D727,333 S *	4/2015	Shih	.....	D14/447
D739,410 S *	9/2015	Chun	.....	D14/447
D744,473 S *	12/2015	Tsai	.....	D14/251
D753,126 S *	4/2016	Alesi	.....	D14/447
D757,705 S *	5/2016	Esses	.....	D14/251
D765,651 S *	9/2016	Liu	.....	D14/253
D768,125 S *	10/2016	Kim	.....	D14/253
D769,860 S *	10/2016	Xiao	.....	D14/253
D775,116 S *	12/2016	Abrahams	.....	D14/253
D780,168 S *	2/2017	Du	.....	D14/253
D780,743 S *	3/2017	Chun	.....	D14/253
D782,462 S *	3/2017	Huang	.....	D14/253
D783,012 S *	4/2017	Lee	.....	D14/253
D783,014 S *	4/2017	Chun	.....	D14/253

(Continued)

Primary Examiner — Janice Hallmark

(74) Attorney, Agent, or Firm — Michael A. Guth

(57) **CLAIM**

The ornamental design for a clip for an electronic device, as shown and described.

**DESCRIPTION**

FIG. 1 is a perspective view of a clip for an electronic device in a first configuration.

FIG. 2 is a right side view of a clip for an electronic device in a first configuration.

FIG. 3 is a left side view of a clip for an electronic device in a first configuration.

FIG. 4 is a rear view of a clip for an electronic device in a first configuration.

FIG. 5 is a front view of a clip for an electronic device in a first configuration.

FIG. 6 is a top view of a clip for an electronic device in a first configuration.

FIG. 7 is a bottom view of a clip for an electronic device in a first configuration.

FIG. 8 is a front view of a clip for an electronic device in a second configuration with the main clip portion rotated 90 degrees.

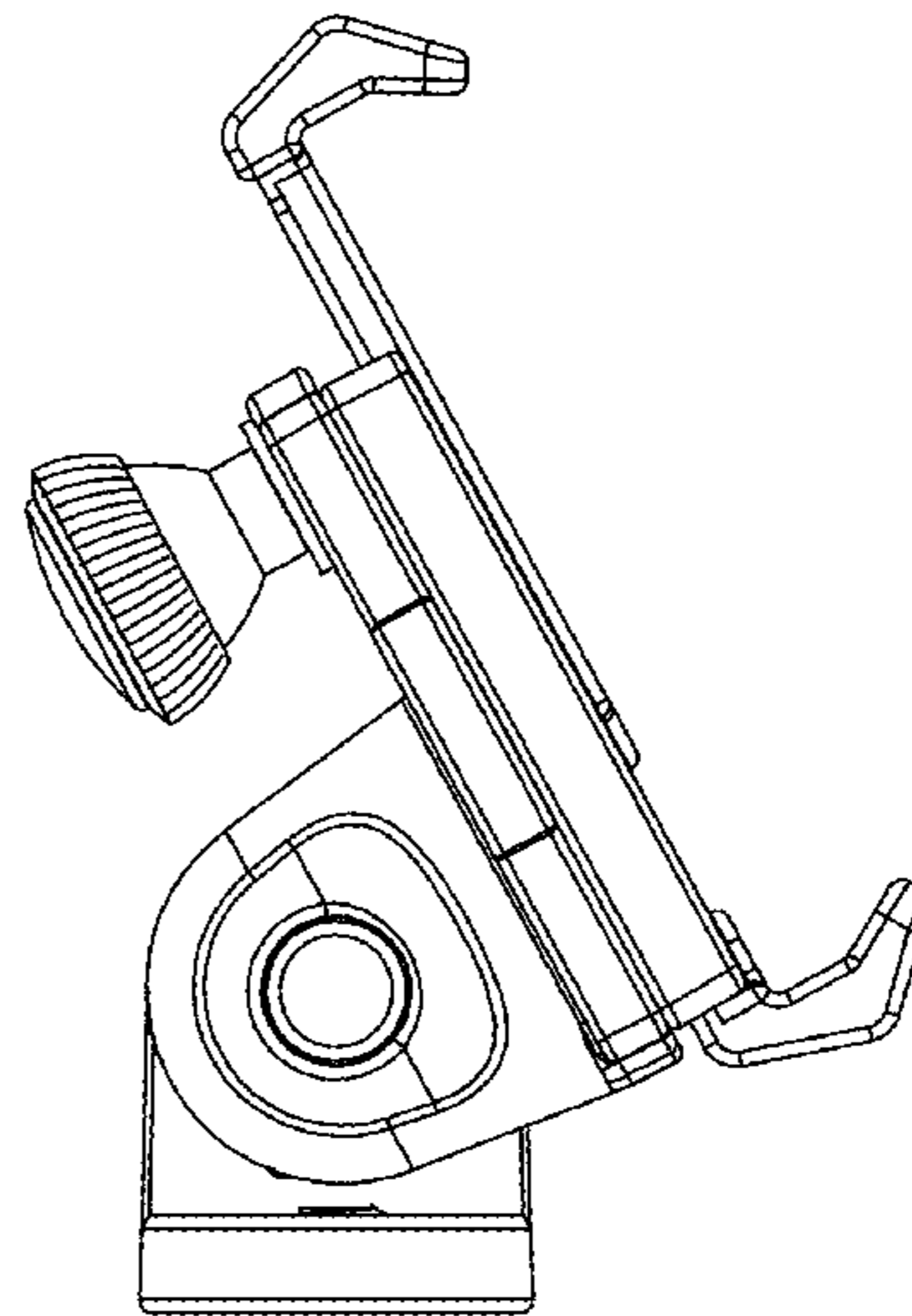
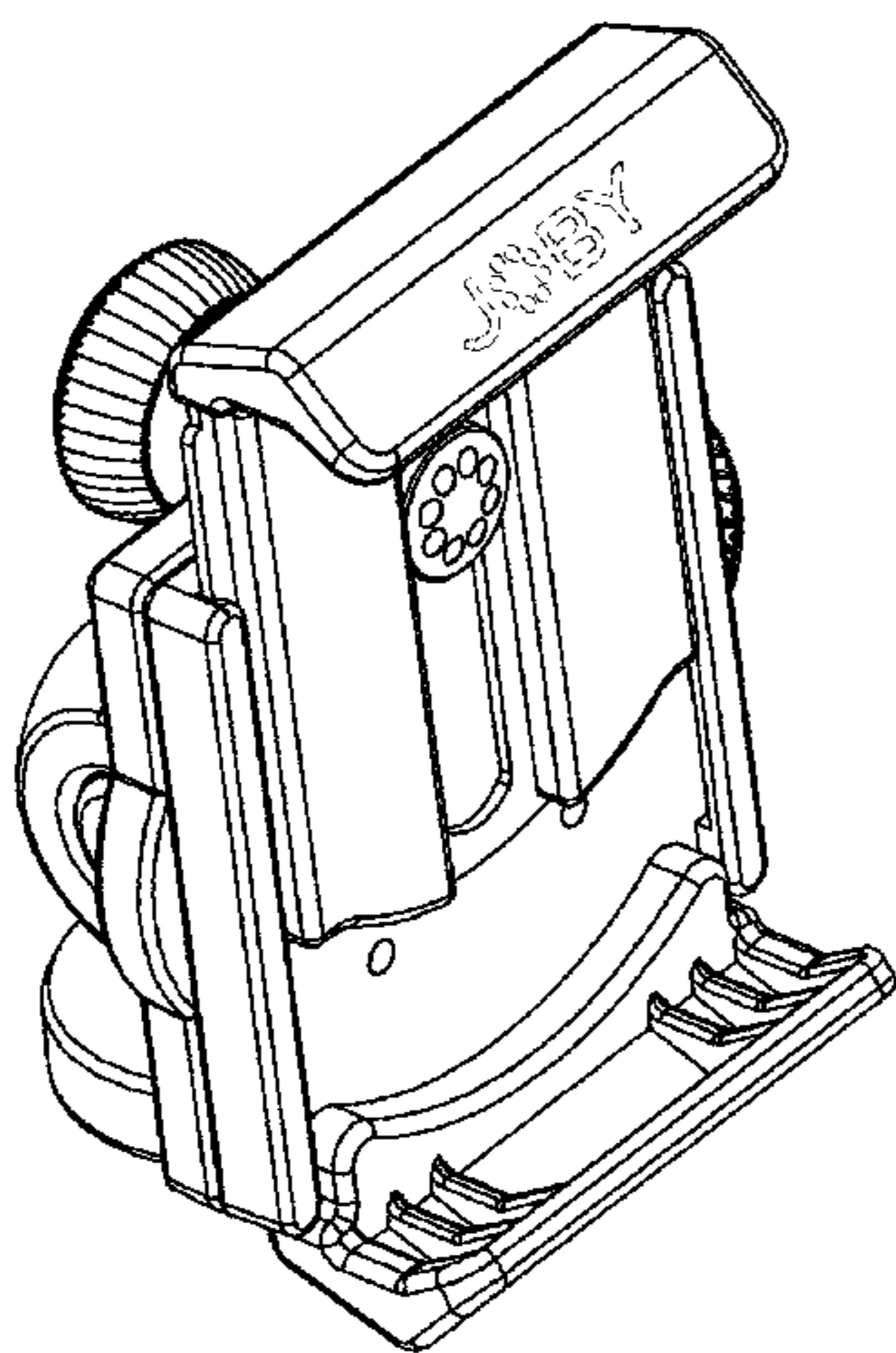
FIG. 9 is a rear view of a clip for an electronic device in a second configuration with the main clip portion rotated 90 degrees.

FIG. 10 is a left side view of a clip for an electronic device in third configuration with the upper portion tilted back 45 degrees; and,

FIG. 11 is a perspective view of a clip for an electronic device in fourth configuration with the main clip portion rotated 90 degrees and the upper portion tilted back 45 degrees.

The broken lines in the drawings depict parts of the clip for an electronic device that form no part of the claimed design.

**1 Claim, 11 Drawing Sheets**



(56)

**References Cited**

U.S. PATENT DOCUMENTS

D783,592 S \* 4/2017 Ju ..... D14/253  
D784,977 S \* 4/2017 Ormsbee ..... D14/253  
9,701,256 B2 \* 7/2017 Haymond ..... B60R 11/02  
D796,421 S \* 9/2017 Huang ..... D12/415  
D799,203 S \* 10/2017 Karl, IV ..... D3/218  
D799,448 S \* 10/2017 Zheng ..... D14/217  
D799,466 S \* 10/2017 Sukphist ..... D14/253  
D807,371 S \* 1/2018 Bertelle ..... D14/447  
D815,104 S \* 4/2018 Bertelle ..... D14/447  
9,956,923 B2 \* 5/2018 Minn ..... B60R 11/02  
2005/0236536 A1 \* 10/2005 Fan ..... B60R 11/02  
248/176.3  
2014/0097306 A1 \* 4/2014 Hale ..... F16M 13/022  
248/122.1  
2014/0138419 A1 \* 5/2014 Minn ..... B60R 11/0241  
224/567  
2015/0028075 A1 \* 1/2015 Khatchatrian ..... B60R 11/02  
224/483  
2015/0192155 A1 \* 7/2015 Chen ..... H04N 5/2251  
348/376  
2017/0072872 A1 \* 3/2017 Balmer ..... F16M 13/022  
2017/0264329 A1 \* 9/2017 Balmer ..... H04B 1/385  
2017/0293208 A1 \* 10/2017 Hale ..... G03B 17/566  
2018/0035020 A1 \* 2/2018 Pan ..... B64D 1/08  
2018/0043840 A1 \* 2/2018 Minn ..... B60R 11/02

\* cited by examiner

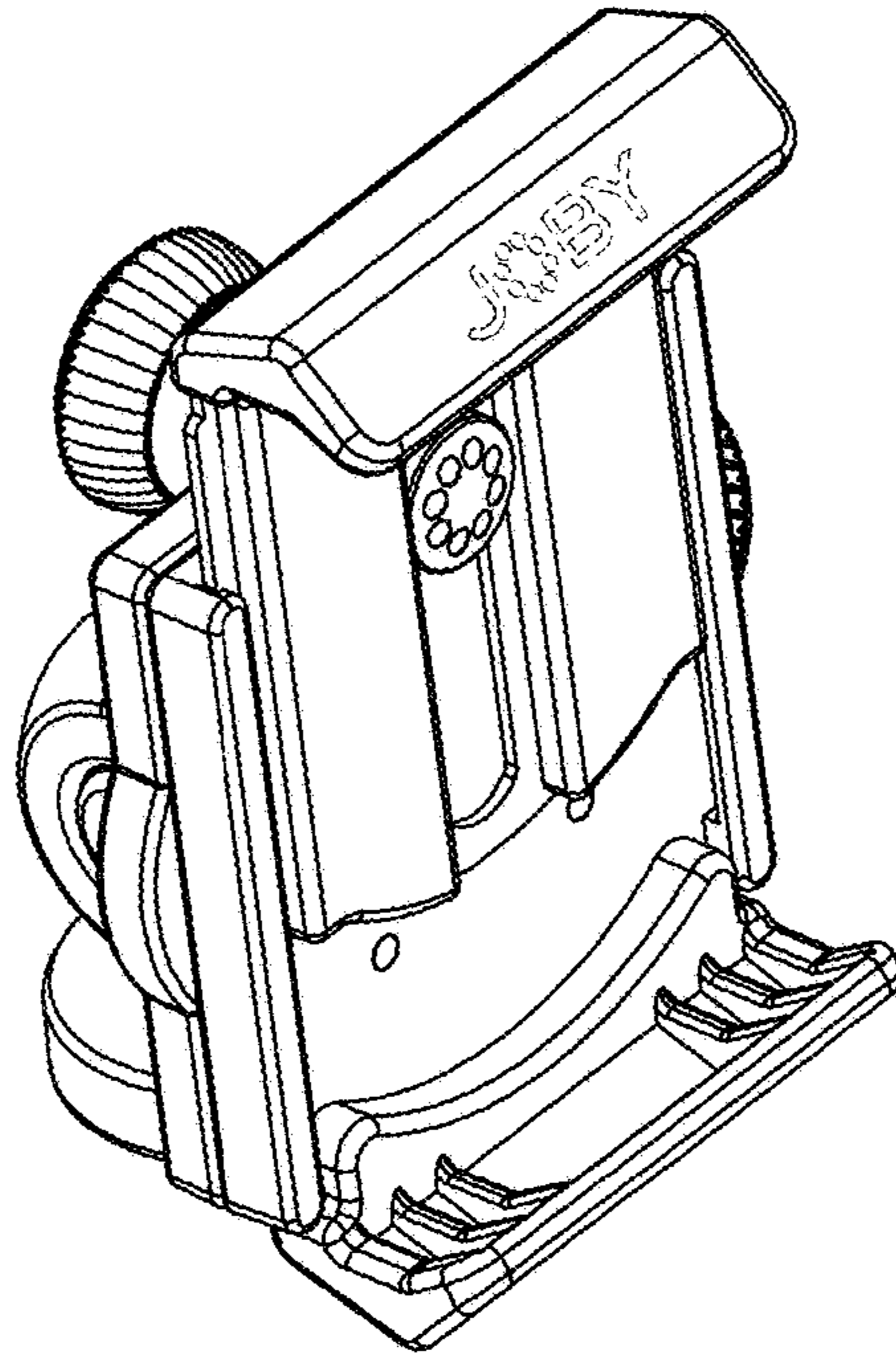


FIG. 1

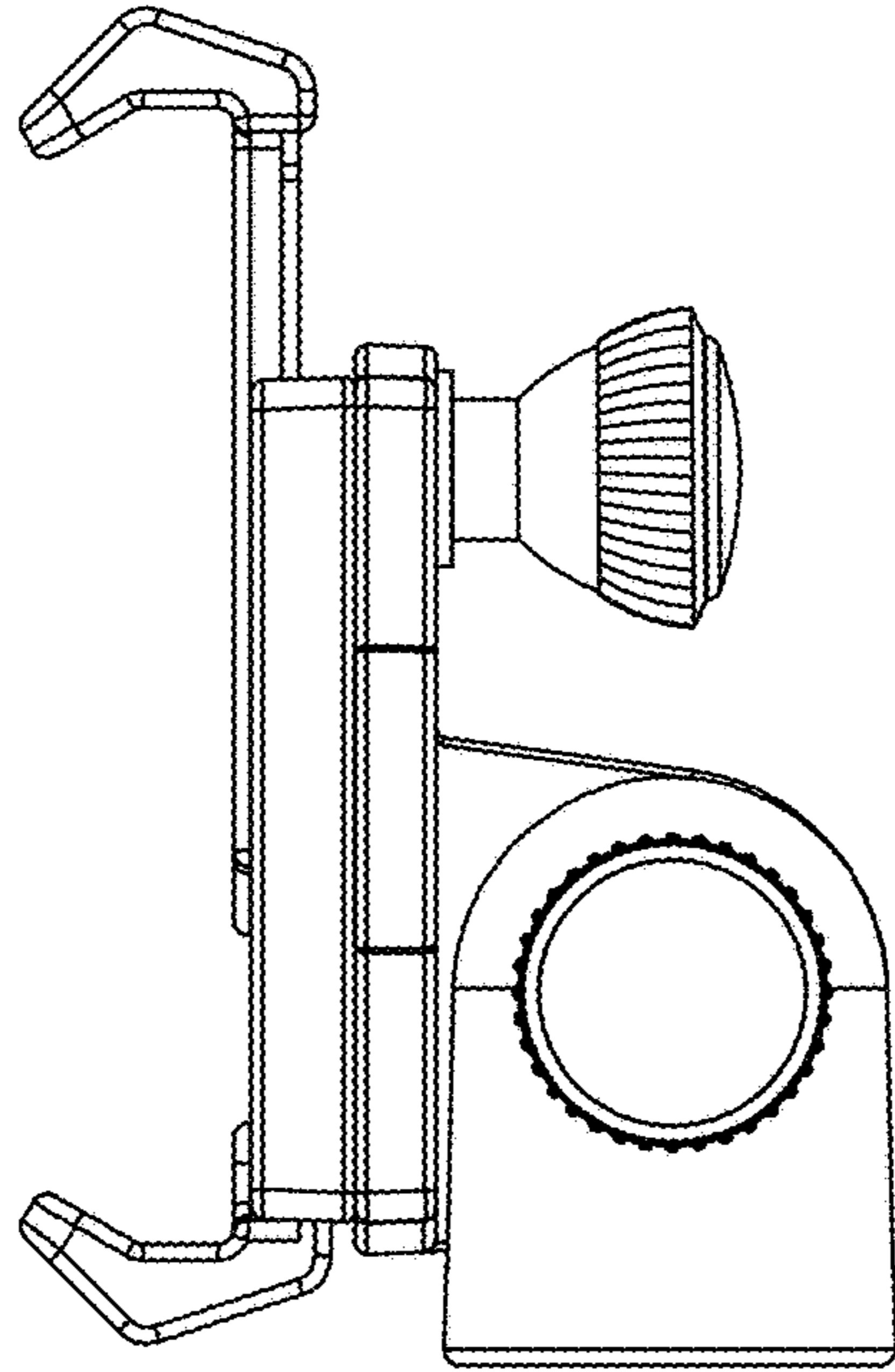


FIG. 2

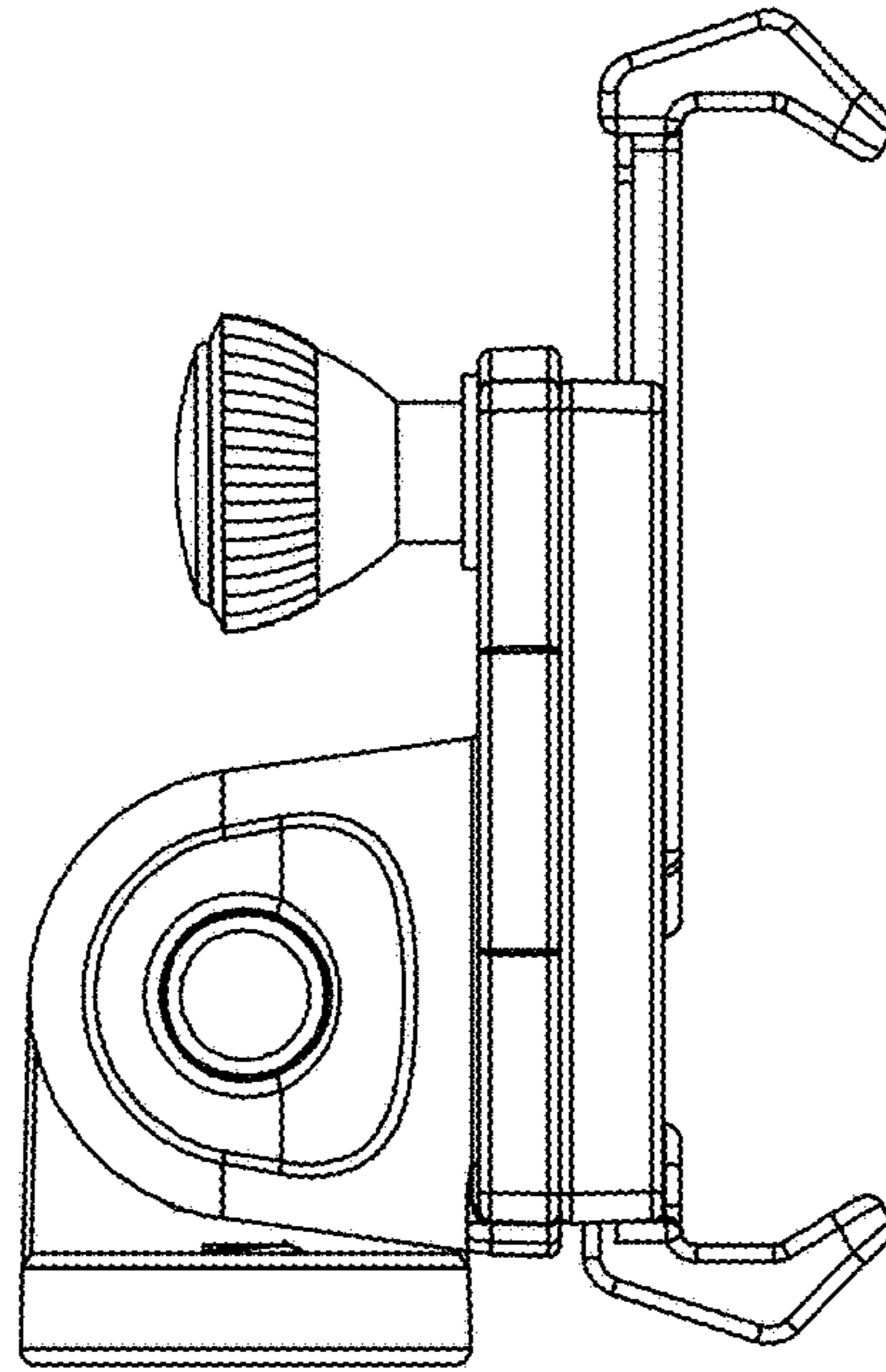


FIG. 3

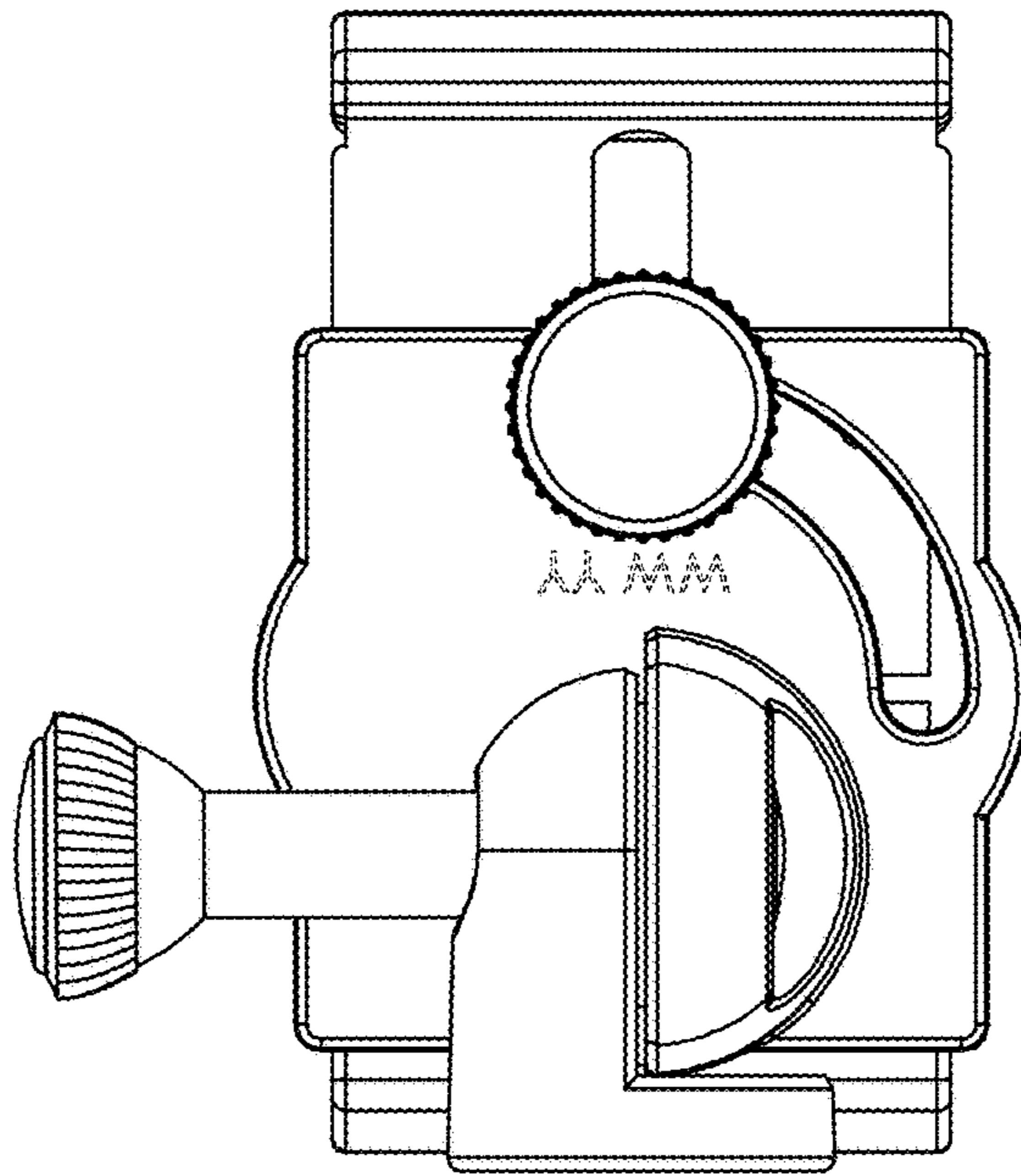


FIG. 4

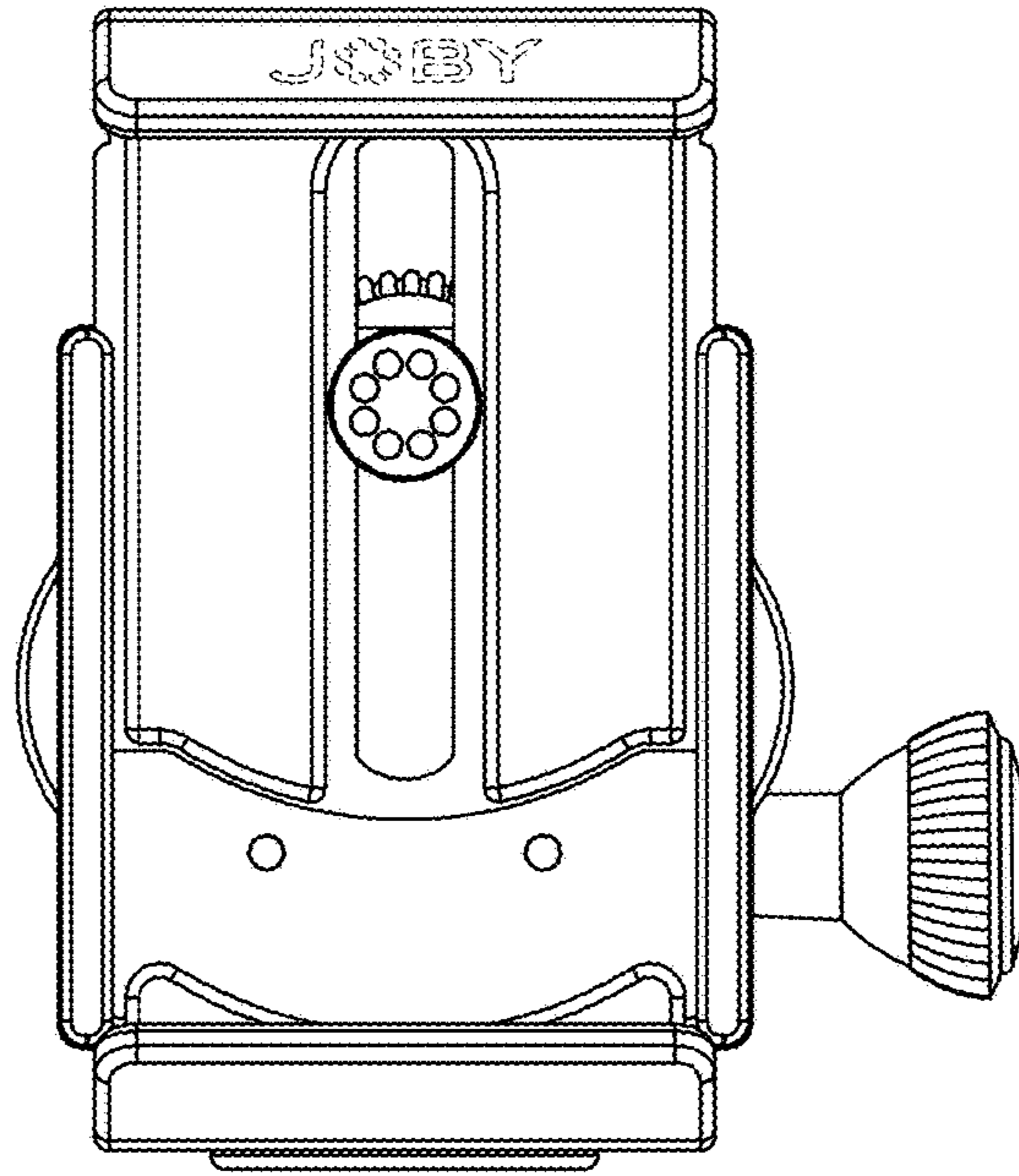


FIG. 5

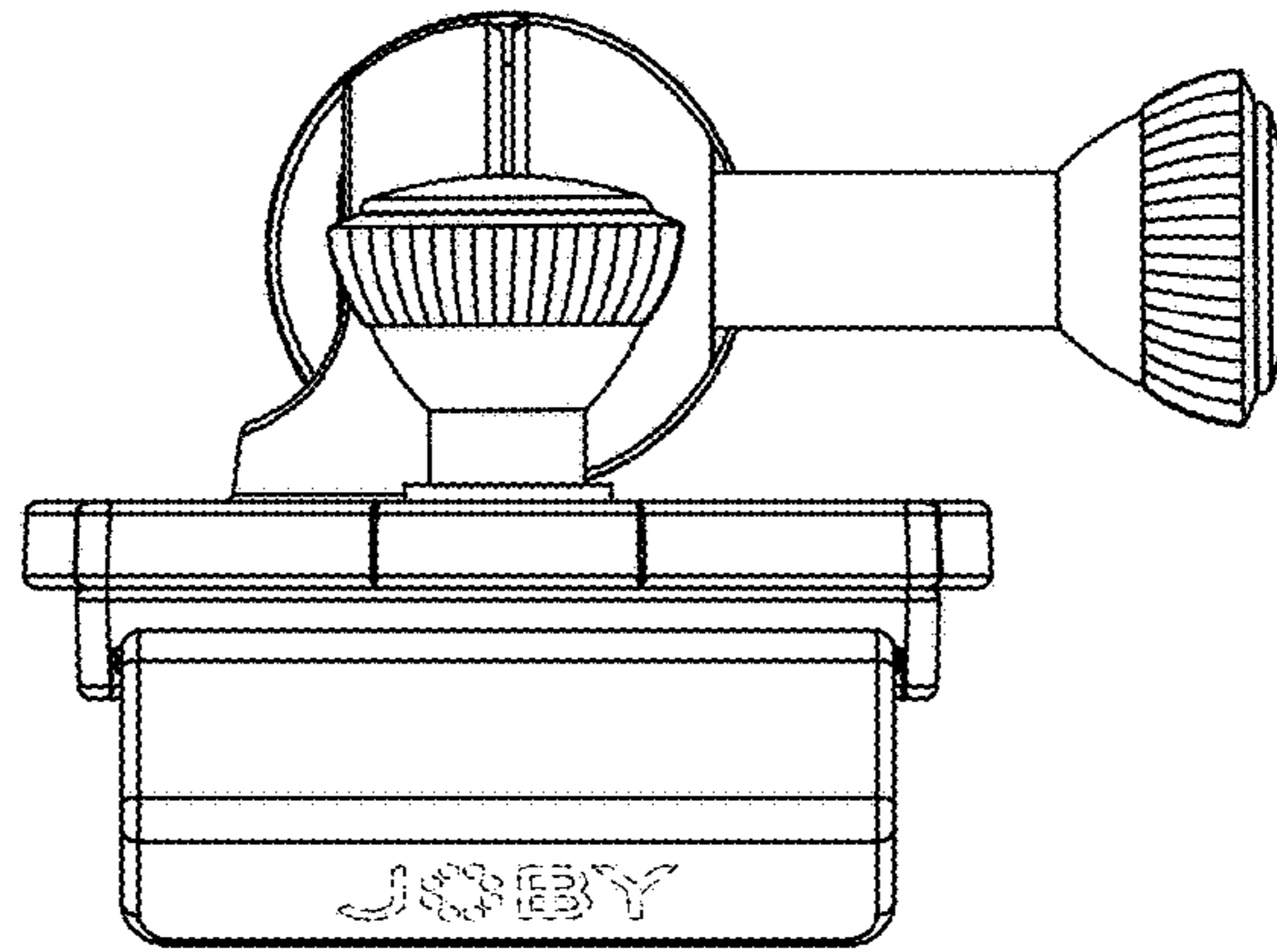


FIG. 6



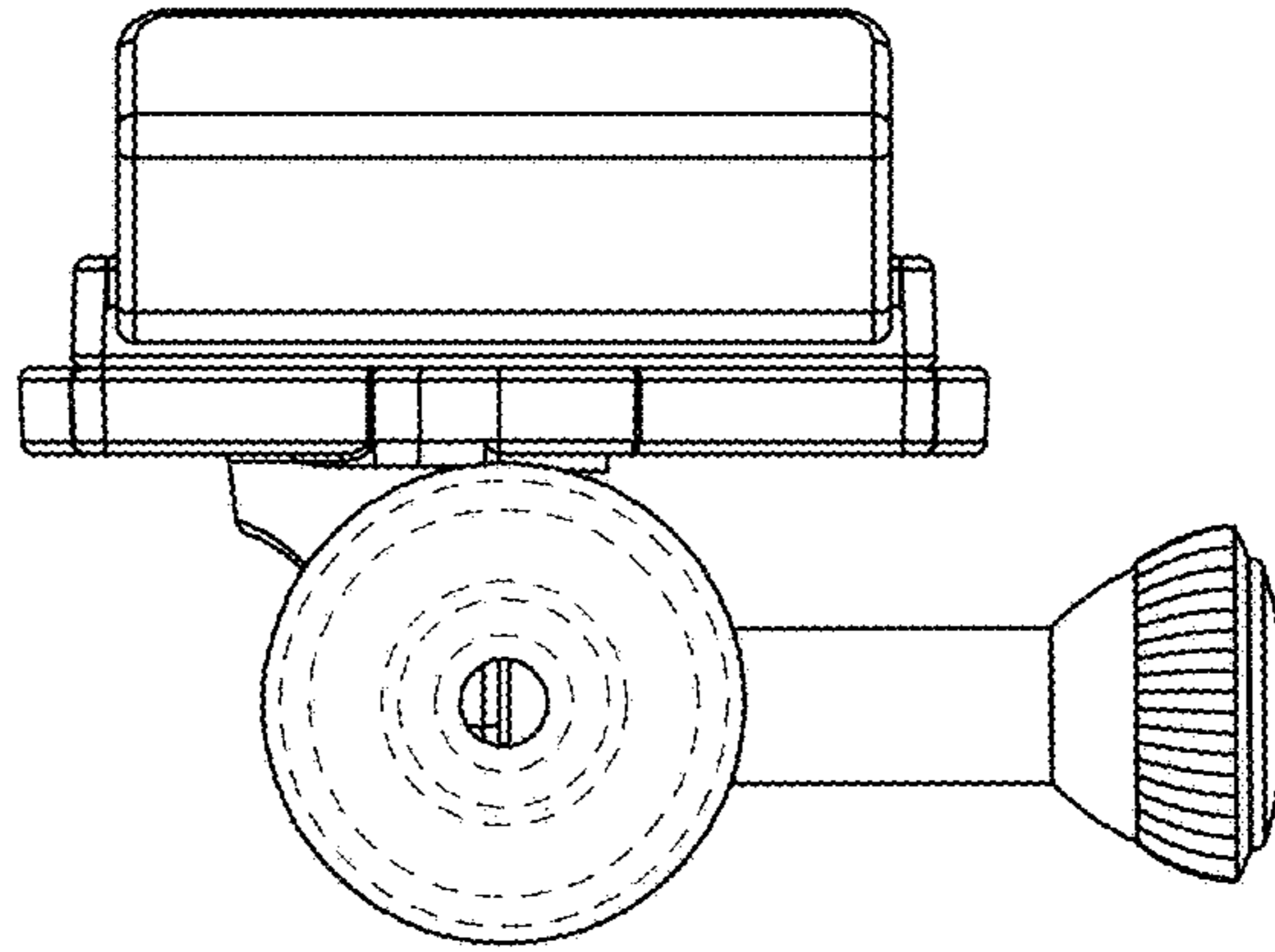


FIG. 7

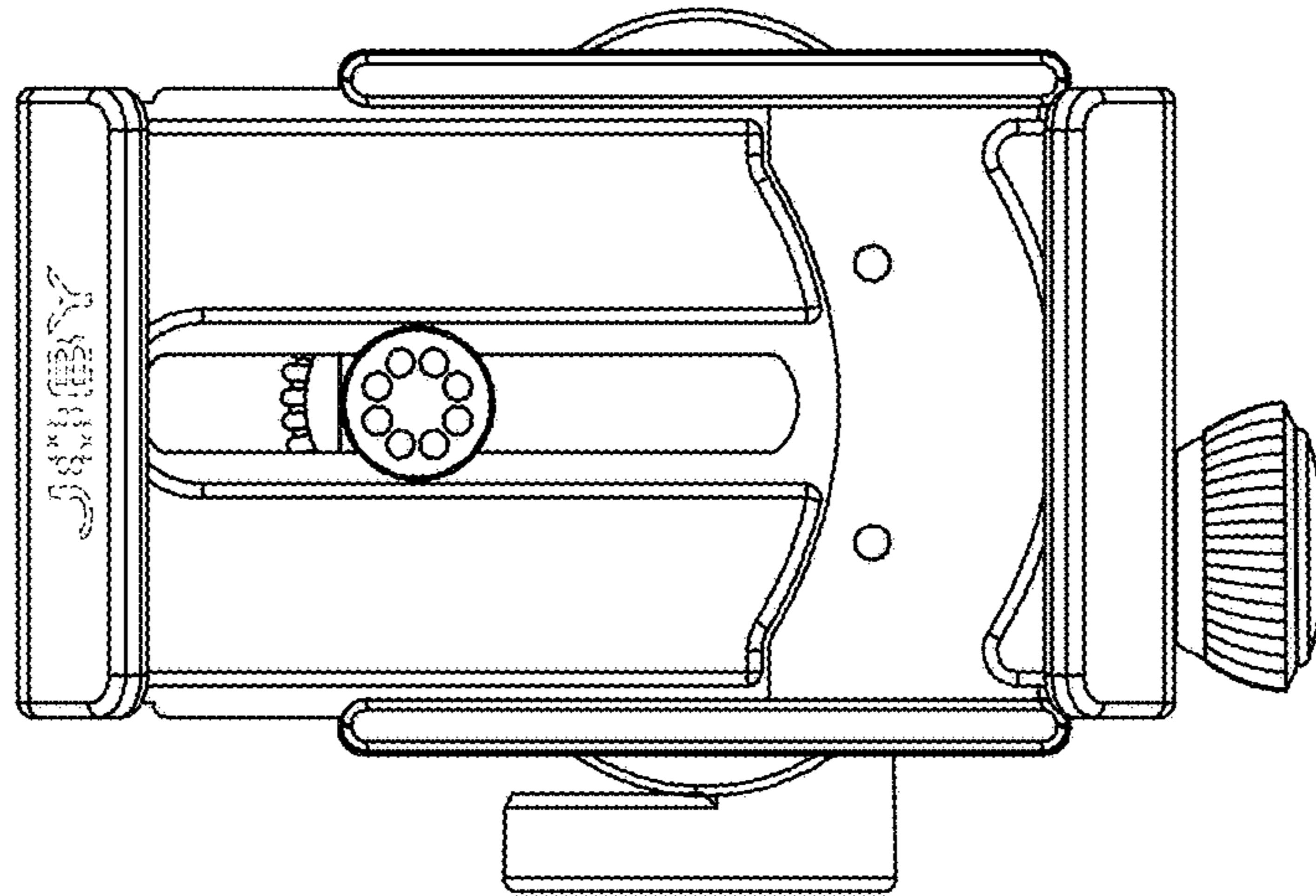


FIG. 8

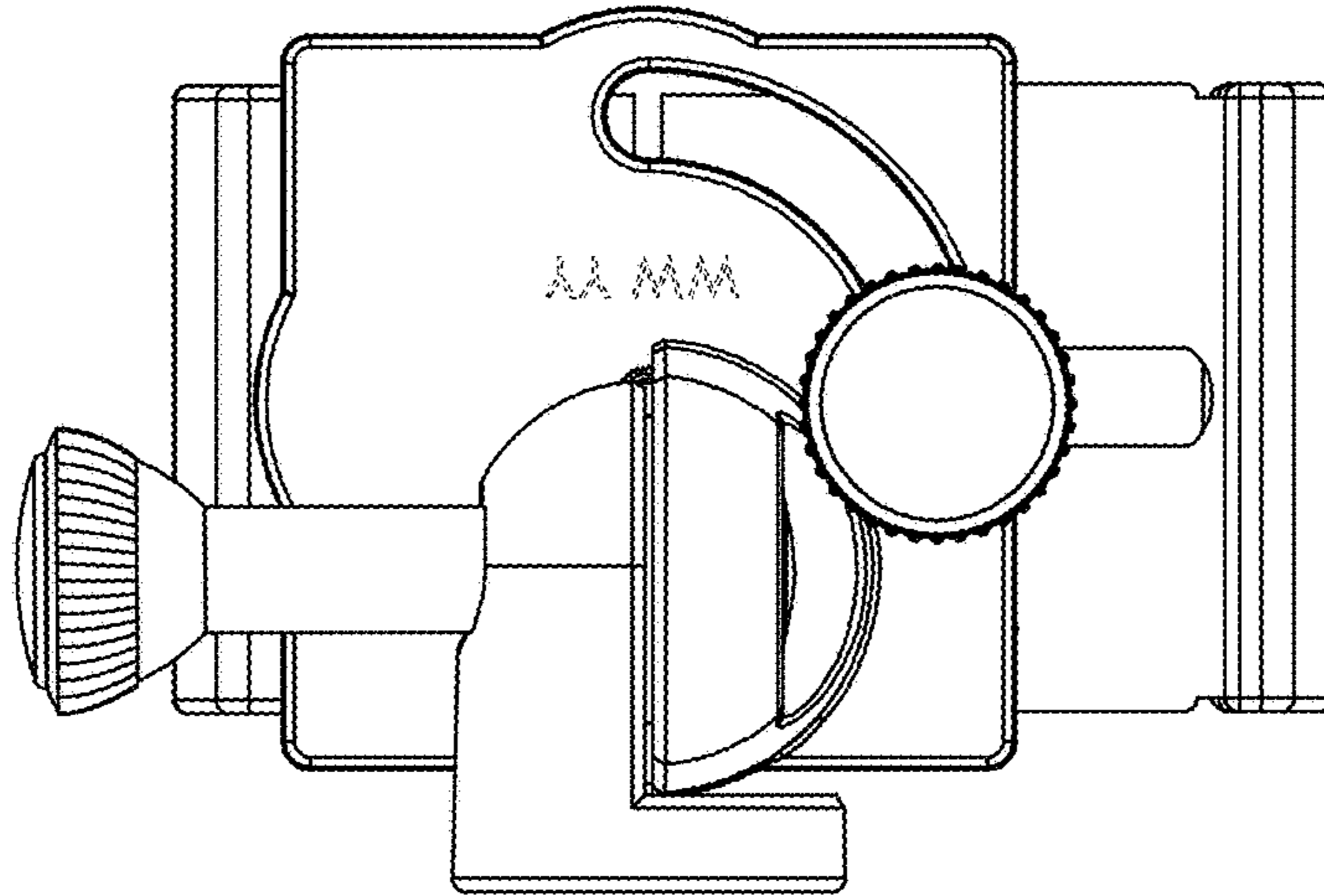


FIG. 9

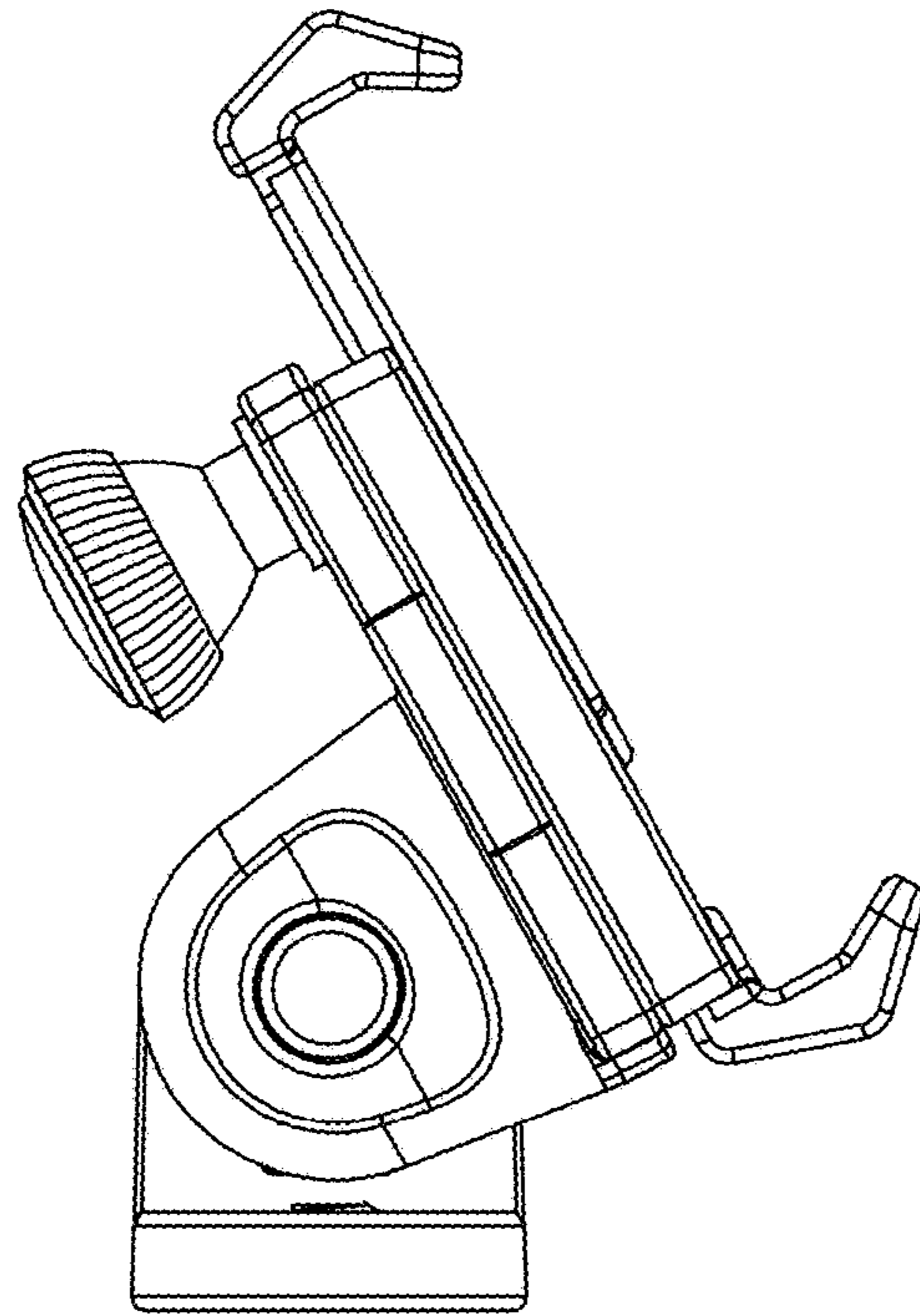


FIG. 10

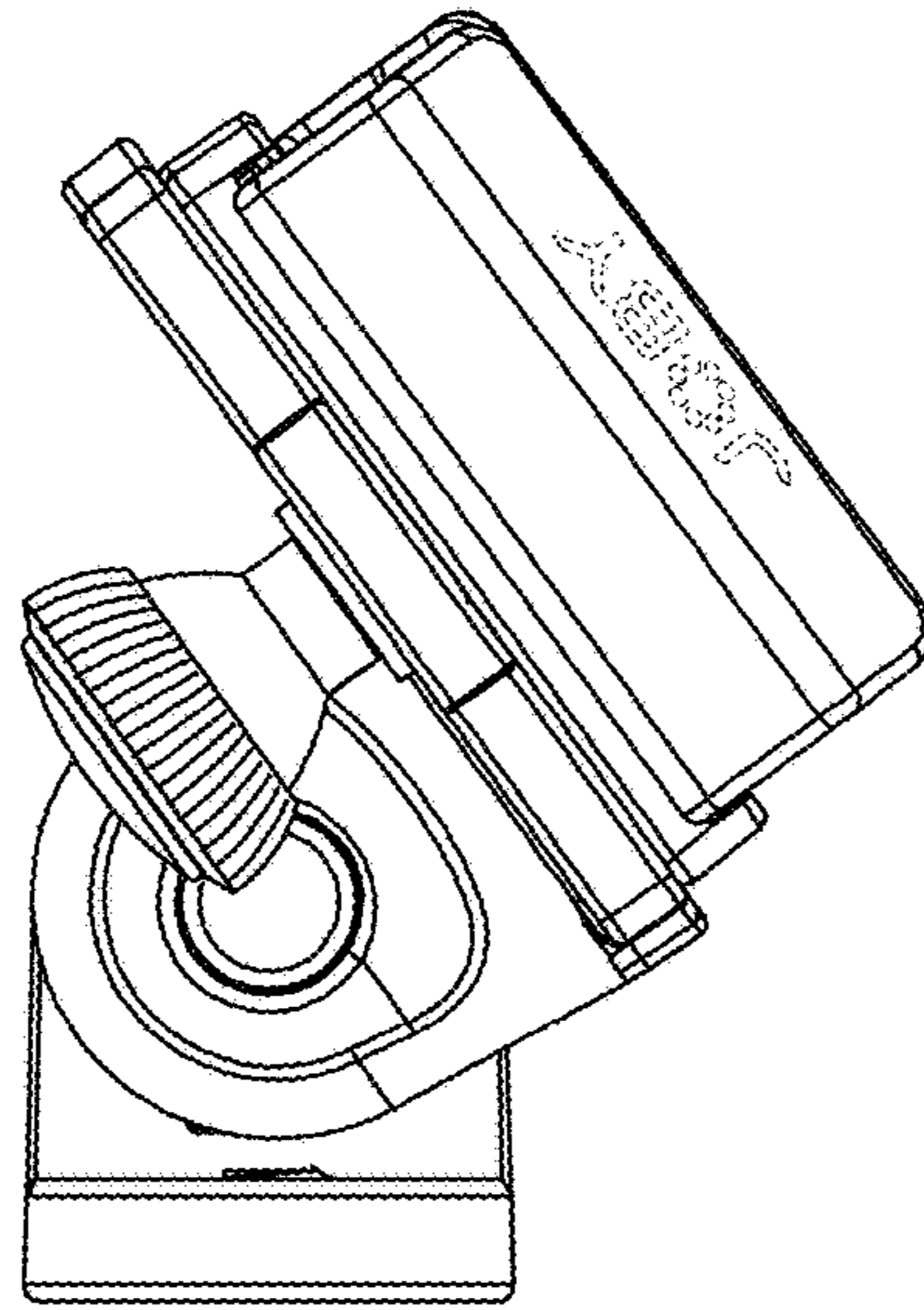


FIG. 11