



US00D840989S

(12) **United States Design Patent** (10) **Patent No.:** **US D840,989 S**
Kim (45) **Date of Patent:** **** *Feb. 19, 2019**

(54) **CASE FOR ELECTRONIC COMMUNICATIONS DEVICE**

(74) *Attorney, Agent, or Firm* — Heedong Chae; Lucem, PC

(71) Applicant: **SPIGEN KOREA CO., LTD.**, Seoul (KR)

(57) **CLAIM**

The ornamental design for a case for electronic communications device, as shown and described.

(72) Inventor: **Dae-Young Kim**, Seoul (KR)

(73) Assignee: **SPIGEN KOREA CO., LTD.**, Seoul (KR)

DESCRIPTION

(*) Notice: This patent is subject to a terminal disclaimer.

FIG. 1 is a front perspective view of a case for electronic communications device showing my new design; FIG. 2 is a front elevational view thereof; FIG. 3 is a top plan view thereof; FIG. 4 is a bottom plan view thereof; FIG. 5 is a front perspective view of the metal plate component of the design shown separately for clarity of disclosure; FIG. 6 is a rear perspective view thereof shown separately for clarity of disclosure; FIG. 7 is a front perspective view of the case component of the design shown separately for clarity of disclosure; FIG. 8 is an exploded front perspective view of the case for electronic communications device showing the components of the design separated for clarity of disclosure; FIG. 9 is an exploded rear perspective view of the case for electronic communications device showing the components of the design separated for clarity of disclosure; and, FIG. 10 is a cross-sectional view of the case for electronic communications device taken in the direction of line 10-10 of FIG. 3.

(**) Term: **15 Years**

(21) Appl. No.: **29/545,467**

(22) Filed: **Nov. 13, 2015**

(51) **LOC (11) Cl.** **14-03**

(52) **U.S. Cl.**
USPC **D14/250**

(58) **Field of Classification Search**
USPC D14/248, 439, 203.3–203.7, 217, 240, D14/447, 251–253, 238.1, 440, 250, 159;
(Continued)

Although the case for electronic communications device, in which the claimed design is embodied, consists of a case component and a metal plate component, the claim is directed to the ornamental appearance of the case for electronic communications device in its entirety and does not extend to the ornamental appearance of each of the individual components of the case for electronic communications device.

The broken line showing of environment is for illustrative purposes only and forms no part of the claimed design.

(56) **References Cited**

U.S. PATENT DOCUMENTS

D686,605 S * 7/2013 Palmeri D14/250
D687,440 S * 8/2013 Shieh D14/447
(Continued)

OTHER PUBLICATIONS

Spigen Thin Fit Hybrid + Spigen Car Mount, published on Mar. 6, 2016, URL:<<https://www.youtube.com/watch?v=0SLCeNGISW4>>, retrieved from internet on Aug. 5, 2017.*

(Continued)

Primary Examiner — Carla J Wright

1 Claim, 10 Drawing Sheets

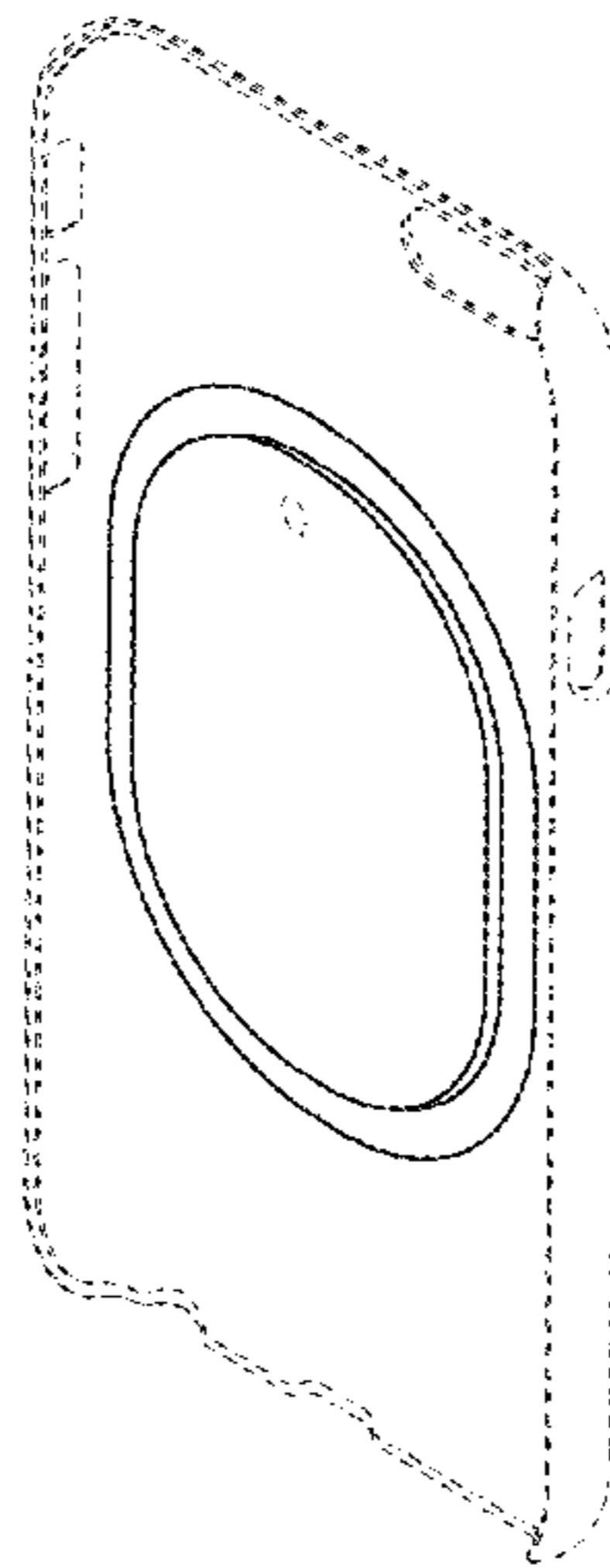


FIG. 1

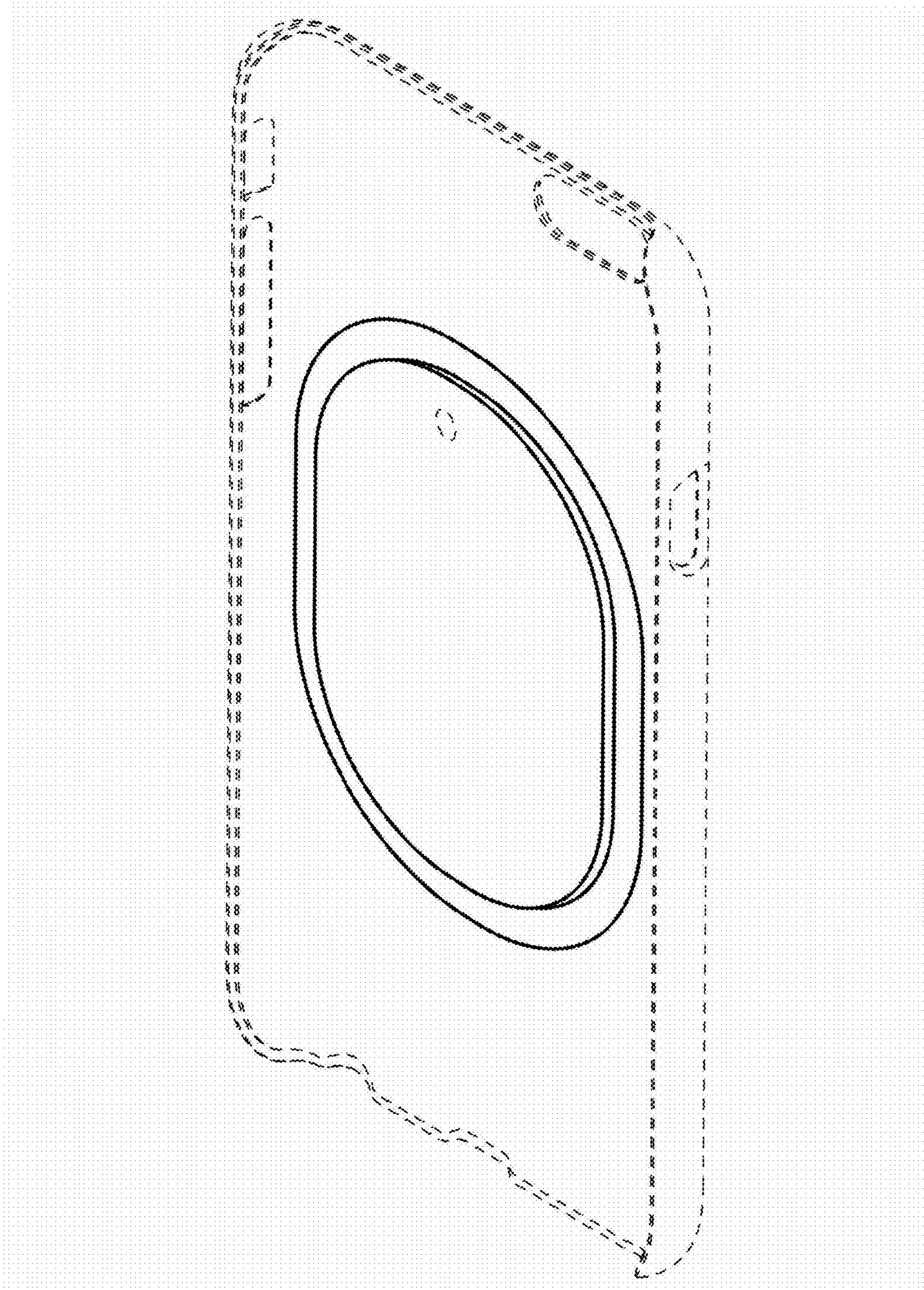


FIG. 2

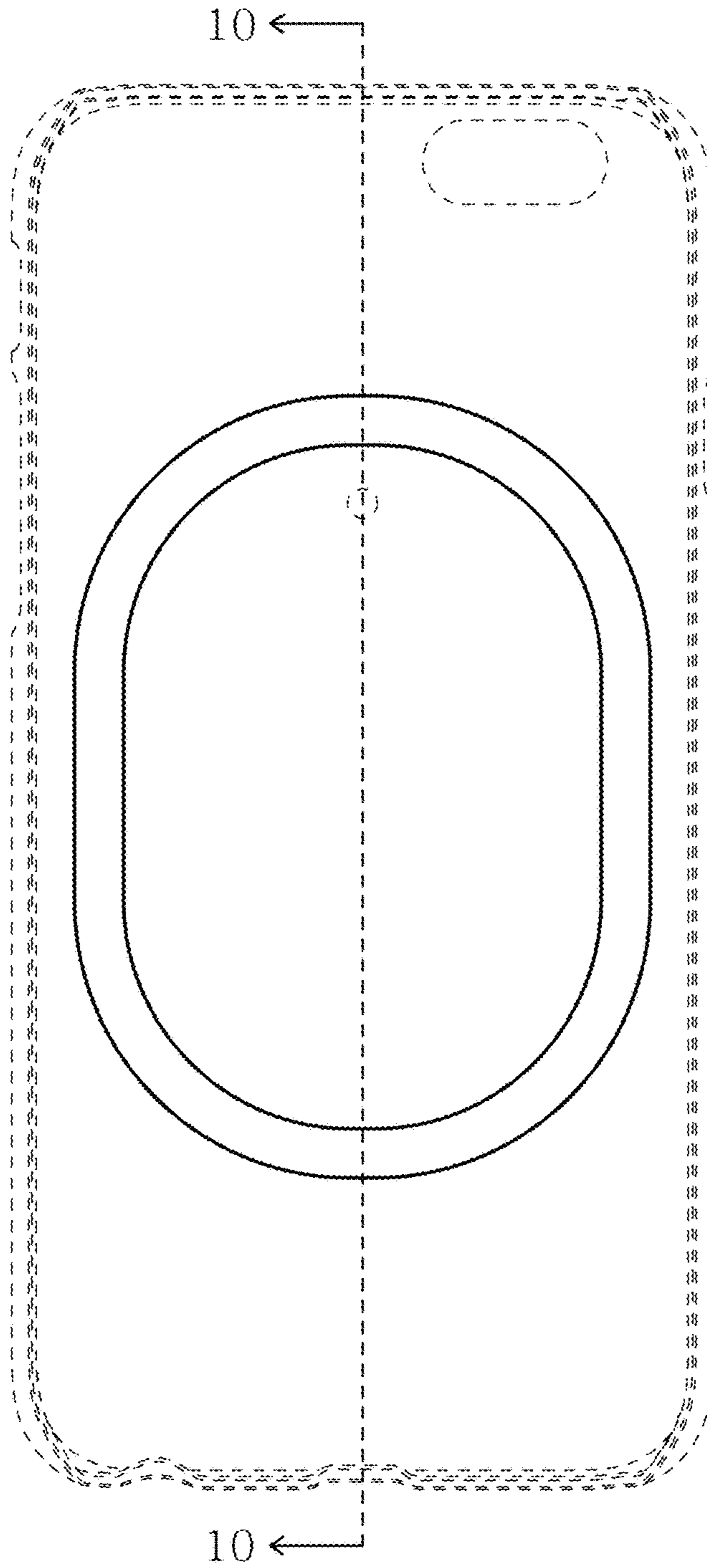


FIG. 3

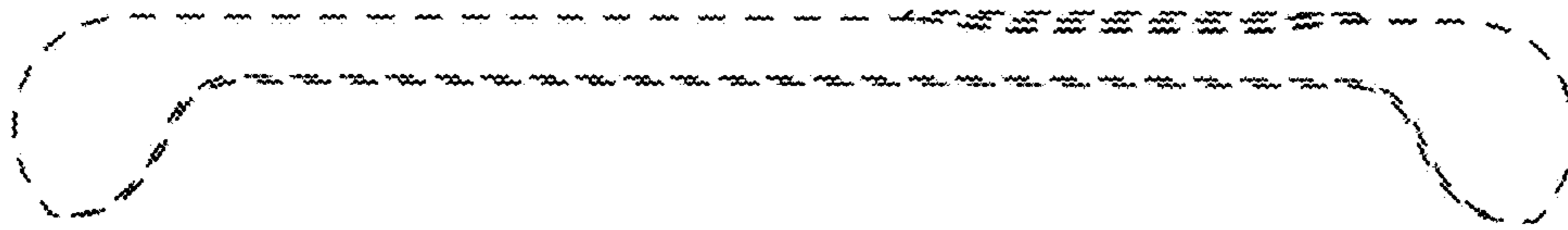


FIG. 4

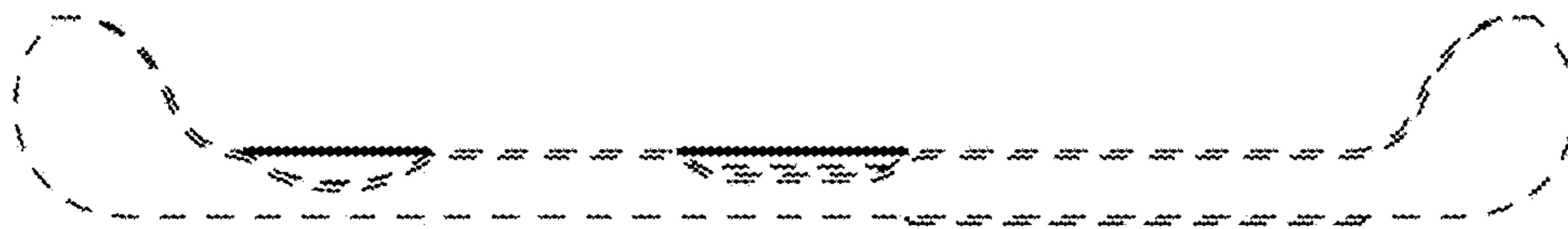


FIG. 5

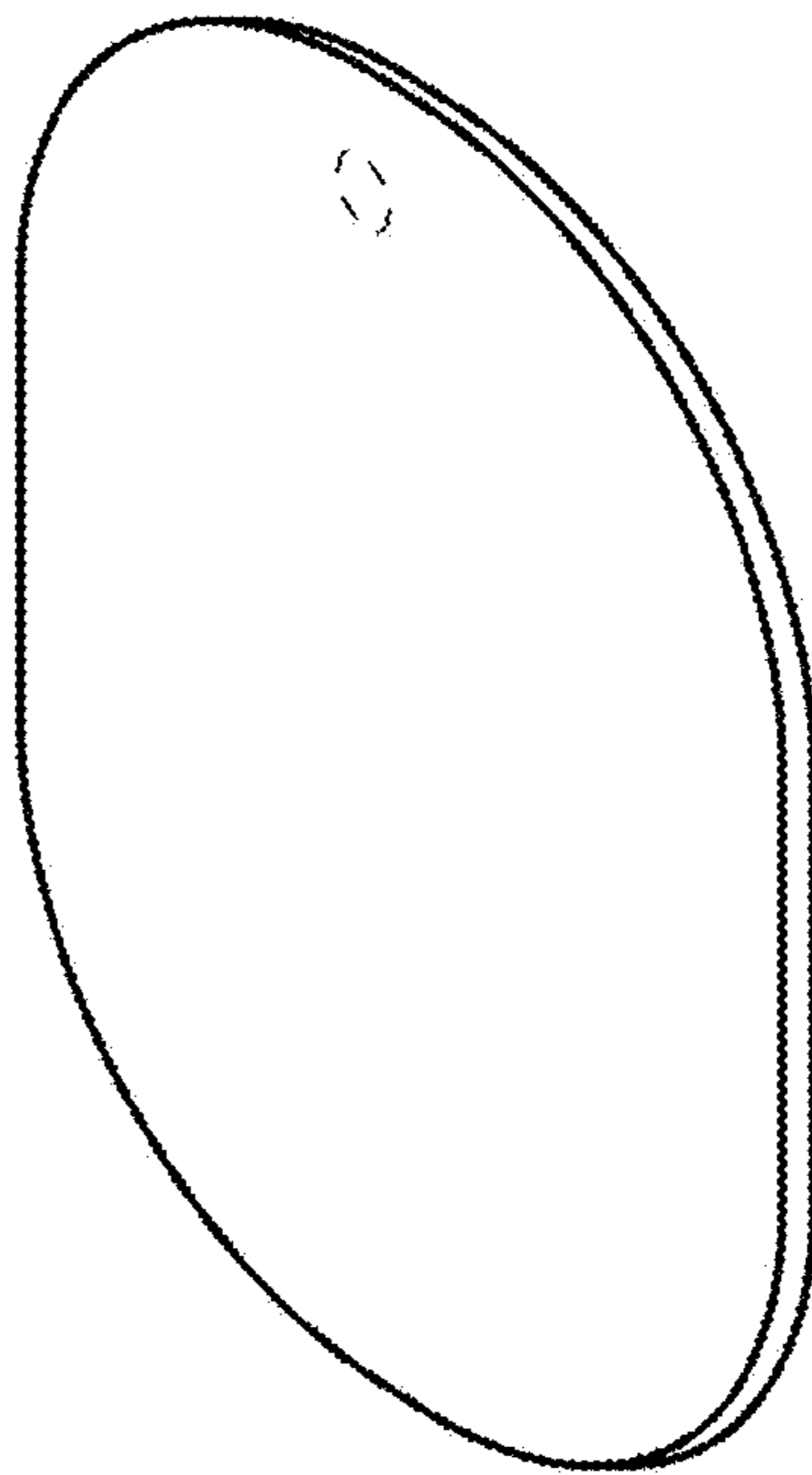


FIG. 6

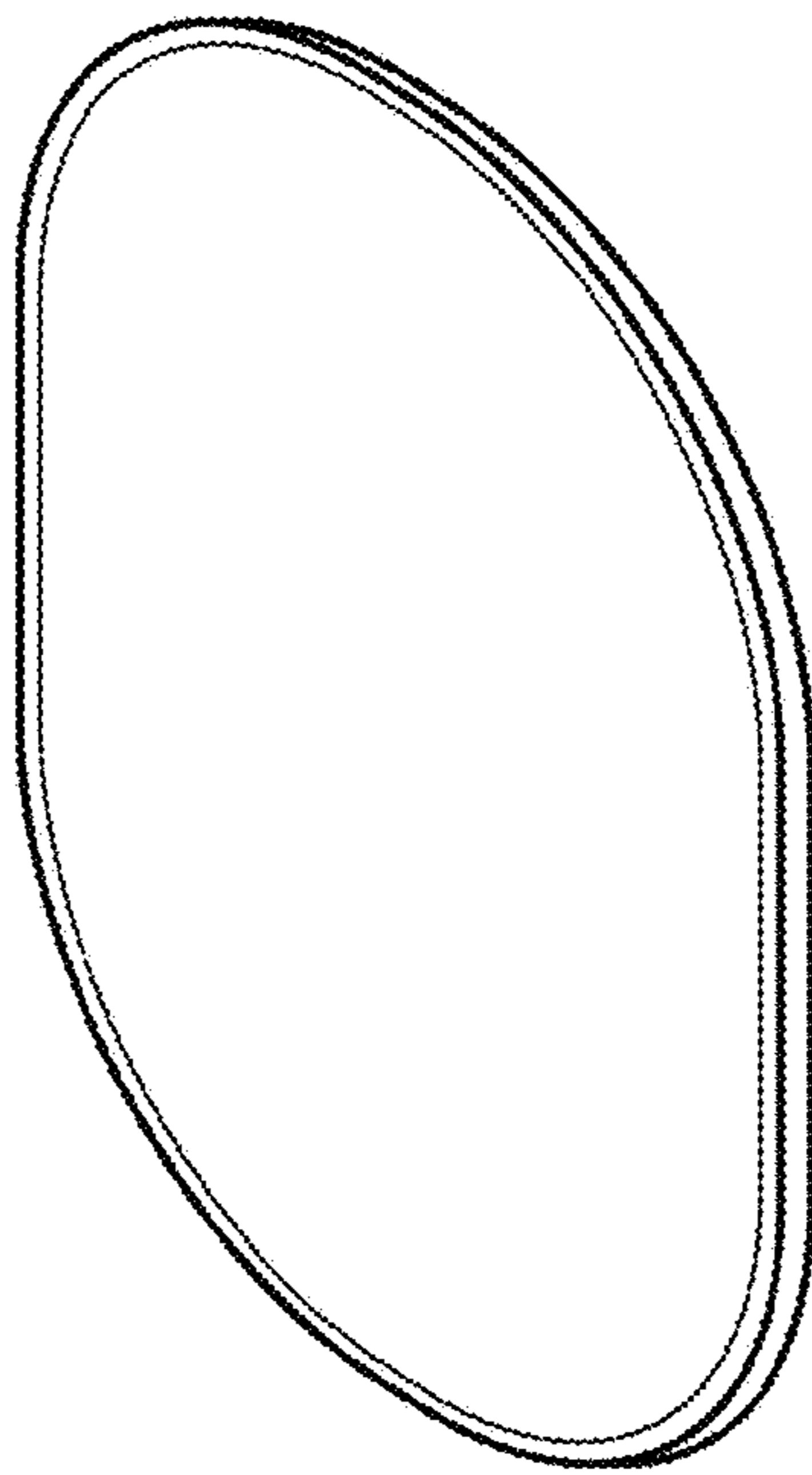


FIG. 7

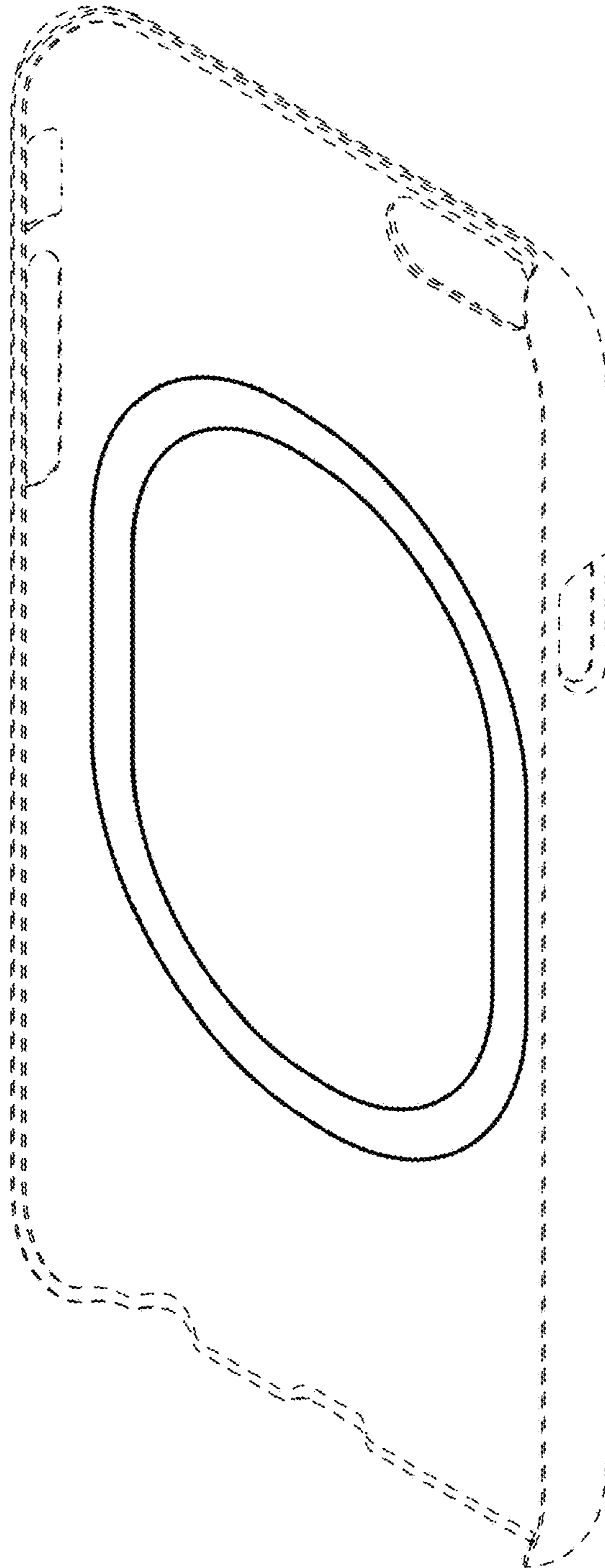


FIG. 8

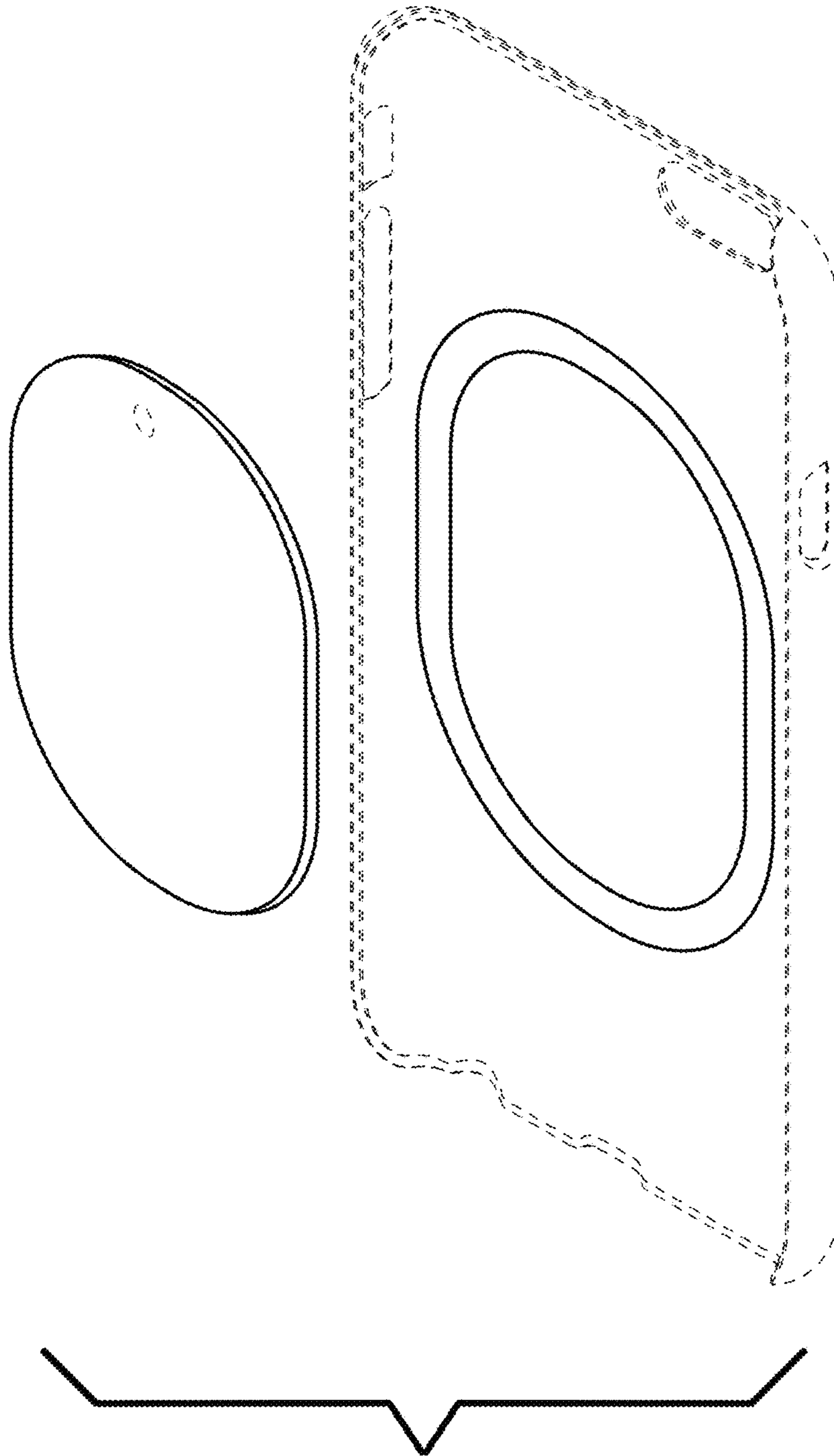


FIG. 9

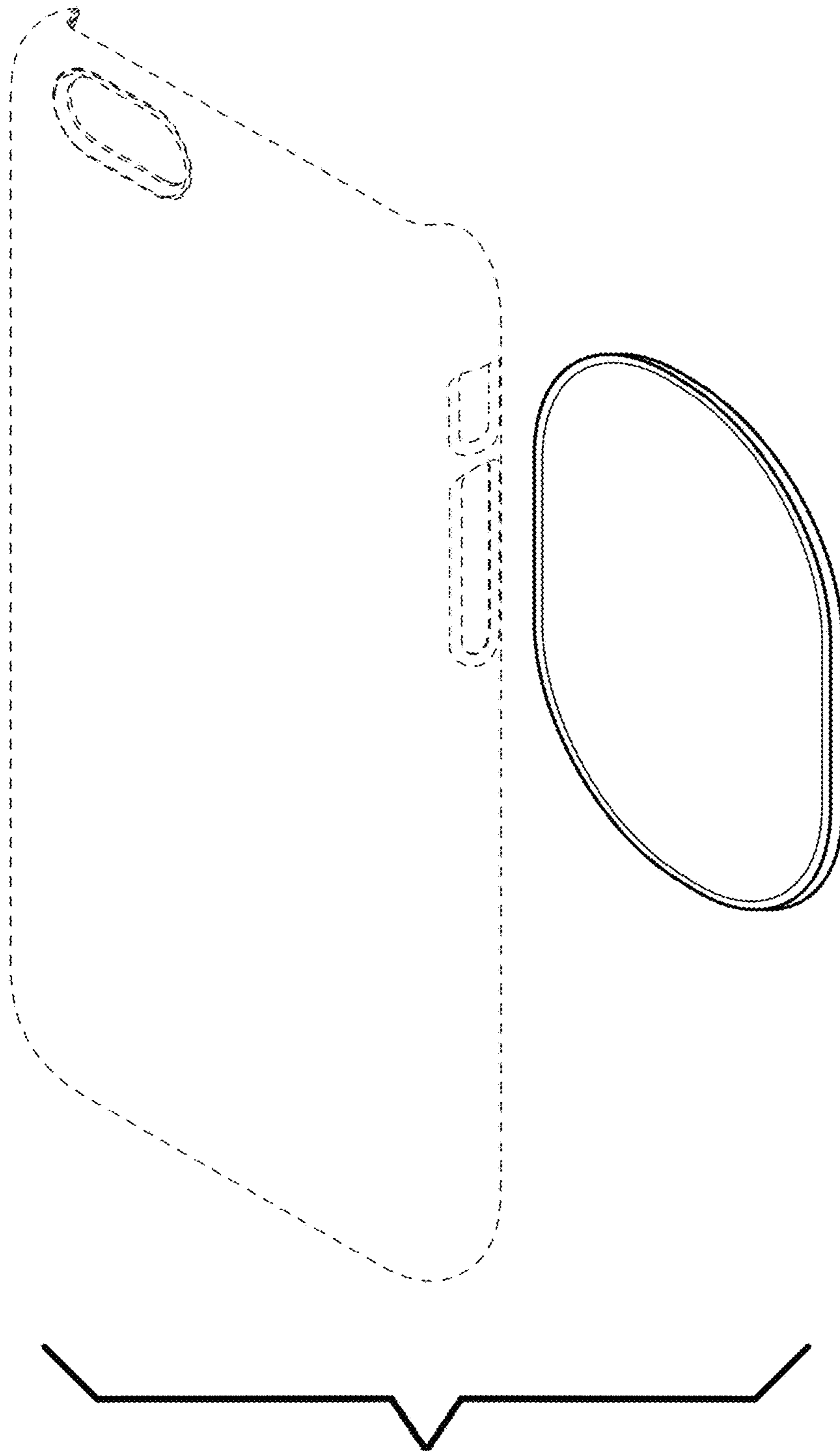


FIG. 10

