

US00D840988S

(12) **United States Design Patent** (10) **Patent No.:** **US D840,988 S**  
**Kim** (45) **Date of Patent:** **\*\* \*Feb. 19, 2019**

(54) **CASE FOR ELECTRONIC COMMUNICATIONS DEVICE**

(74) *Attorney, Agent, or Firm* — Heedong Chae; Lucem, PC

(71) Applicant: **SPIGEN KOREA CO., LTD.**, Seoul (KR)

(57) **CLAIM**

The ornamental design for a case for electronic communications device, as shown and described.

(72) Inventor: **Dae-Young Kim**, Seoul (KR)

(73) Assignee: **SPIGEN KOREA CO., LTD.**, Seoul (KR)

**DESCRIPTION**

(\*) Notice: This patent is subject to a terminal disclaimer.

FIG. 1 is a front perspective view of a case for electronic communications device showing my new design; FIG. 2 is a front elevational view thereof; FIG. 3 is a top plan view thereof; FIG. 4 is a bottom plan view thereof; FIG. 5 is a front perspective view of the metal plate component of the design shown separately for clarity of disclosure; FIG. 6 is a rear perspective view thereof shown separately for clarity of disclosure; FIG. 7 is a front perspective view of the case component of the design shown separately for clarity of disclosure; FIG. 8 is an exploded front perspective view of the case for electronic communications device showing the components of the design separated for clarity of disclosure; FIG. 9 is an exploded rear perspective view of the case for electronic communications device showing the components of the design separated for clarity of disclosure; and, FIG. 10 is a cross-sectional view of the case for electronic communications device taken in the direction of line 10-10 in FIG. 3.

(\*\*) Term: **15 Years**

(21) Appl. No.: **29/545,466**

(22) Filed: **Nov. 13, 2015**

(51) **LOC (11) Cl.** ..... **14-03**

(52) **U.S. Cl.**  
USPC ..... **D14/250**

(58) **Field of Classification Search**  
USPC ..... D14/248, 439, 203.3–203.7, 217, 240, D14/447, 251–253, 238.1, 440, 250, 159;  
(Continued)

Although the case for electronic communications device, in which the claimed design is embodied, consists of a case component and a metal plate component, the claim is directed to the ornamental appearance of the case for electronic communications device in its entirety and does not extend to the ornamental appearance of each of the individual components of the case for electronic communications device.

The broken line showing of environment is for illustrative purposes only and forms no part of the claimed design.

(56) **References Cited**

**U.S. PATENT DOCUMENTS**

D686,605 S \* 7/2013 Palmeri ..... D14/250  
D687,440 S \* 8/2013 Shieh ..... D14/447  
(Continued)

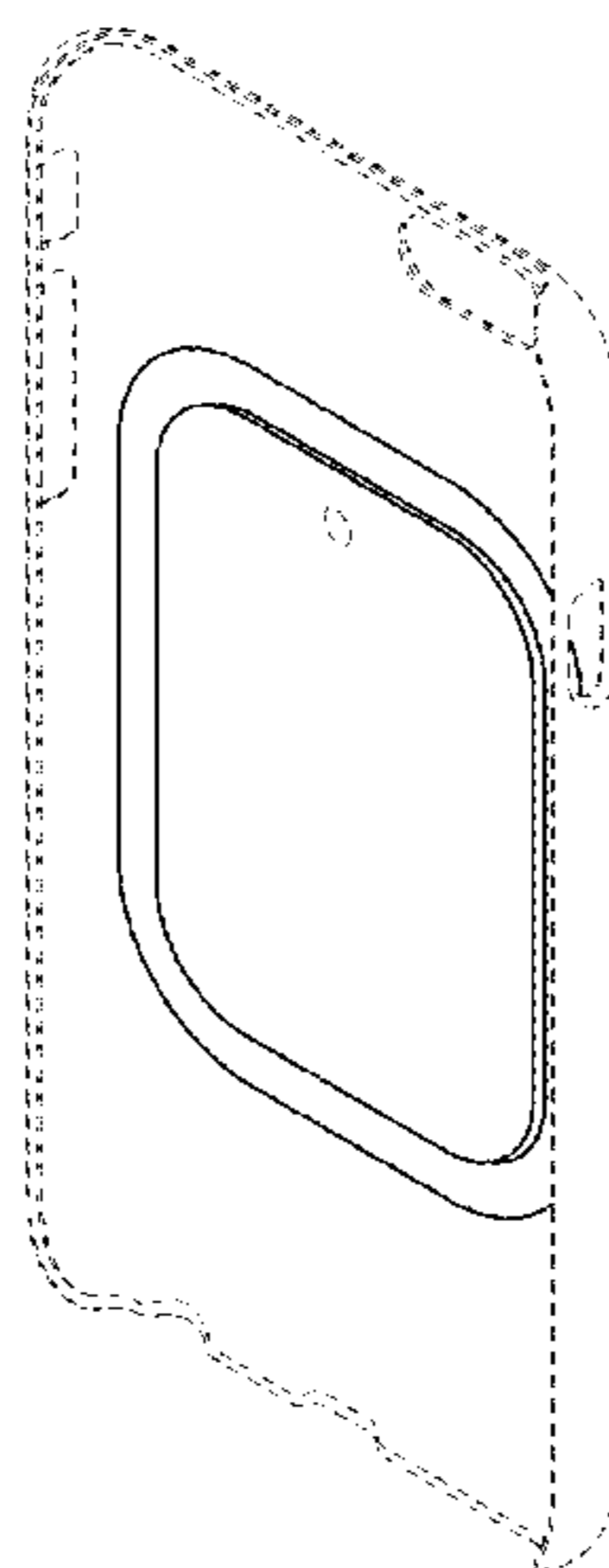
**OTHER PUBLICATIONS**

Spigen Thin Fit Hybrid + Spigen Car Mount, published on Mar. 6, 2016, URL:<<https://www.youtube.com/watch?v=0SLCeNGISW4>>, retrieved from internet on Aug. 5, 2017.\*

(Continued)

*Primary Examiner* — Carla J Wright

**1 Claim, 10 Drawing Sheets**



(58) **Field of Classification Search**

USPC ..... D3/201, 218, 247, 269, 273, 301, 303;  
 D13/103, 107-108, 119  
 CPC H04B 1/3888; H04M 1/0283; H04M 1/0202;  
 A45C 1/06; A45C 2011/002; A45C 11/00;  
 A45C 13/02; A45F 2005/026; A45F  
 2200/0525; A45F 2200/0516  
 See application file for complete search history.

(56) **References Cited**

U.S. PATENT DOCUMENTS

8,936,222 B1\* 1/2015 Bastian ..... A45F 5/00  
 224/183  
 D739,857 S \* 9/2015 Lay ..... D10/80  
 D746,801 S \* 1/2016 Pan ..... D14/250  
 9,243,739 B2\* 1/2016 Peters ..... F16M 13/00  
 D749,596 S \* 2/2016 Khodapanah ..... D14/447  
 D781,832 S \* 3/2017 Snitko ..... D14/250  
 D782,973 S \* 4/2017 Zhou ..... D13/108  
 2012/0261288 A1\* 10/2012 Lach ..... A45C 11/00  
 206/320  
 2013/0153457 A1\* 6/2013 Liang ..... H04B 1/3888  
 206/521  
 2014/0166706 A1\* 6/2014 Leisey-Bartsch .... H04B 1/3888  
 224/197

2014/0166707 A1\* 6/2014 Leisey-Bartsch .... H04B 1/3888  
 224/197  
 2014/0364176 A1\* 12/2014 Pintor ..... H04B 1/385  
 455/575.6  
 2016/0036480 A1\* 2/2016 Hirsch ..... H04B 1/385  
 455/575.6  
 2016/0065261 A1\* 3/2016 Chen ..... H04B 1/3883  
 455/573  
 2016/0069512 A1\* 3/2016 Grieve ..... A45F 5/00  
 294/142  
 2016/0259374 A1\* 9/2016 Breiwa ..... H02J 50/10  
 2016/0286025 A1\* 9/2016 Elgrissy ..... H04M 1/72527  
 2017/0035172 A1\* 2/2017 Kim ..... A45C 13/1069  
 2017/0155418 A1\* 6/2017 Kim ..... H04B 1/3888  
 2017/0196327 A1\* 7/2017 Ma ..... A45C 11/00

OTHER PUBLICATIONS

iPhone 6 case with cutout for Spigen air vent mount plate, published on Oct. 27, 2015, URL:<<https://www.thingiverse.com/thing:1094587>>, retrieved from internet on Aug. 5, 2017.\*

iPhone 6 case with cutout for Spigen air vent mount plate by jsc; published on Oct. 27, 2015; URL:<https://www.thingiverse.com/thing:1094587>; retrieved from internet on Jan. 26, 2018.\*

\* cited by examiner

FIG. 1

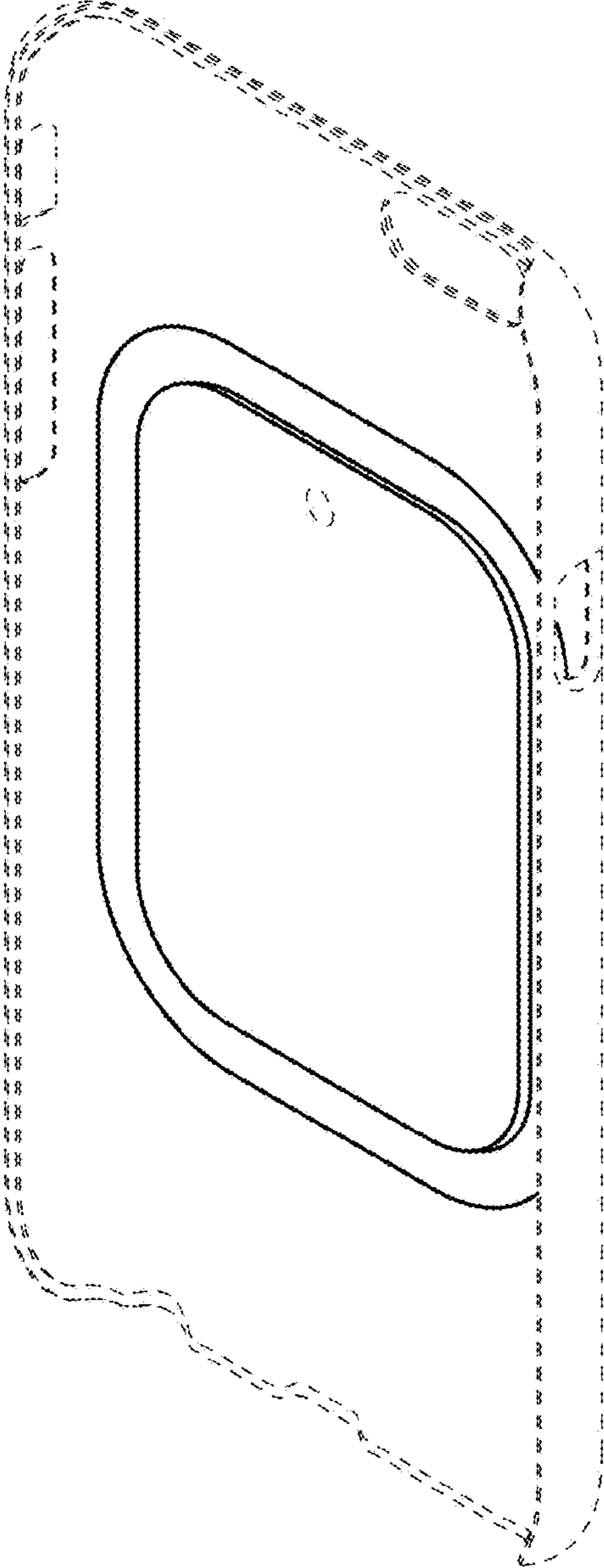


FIG. 2

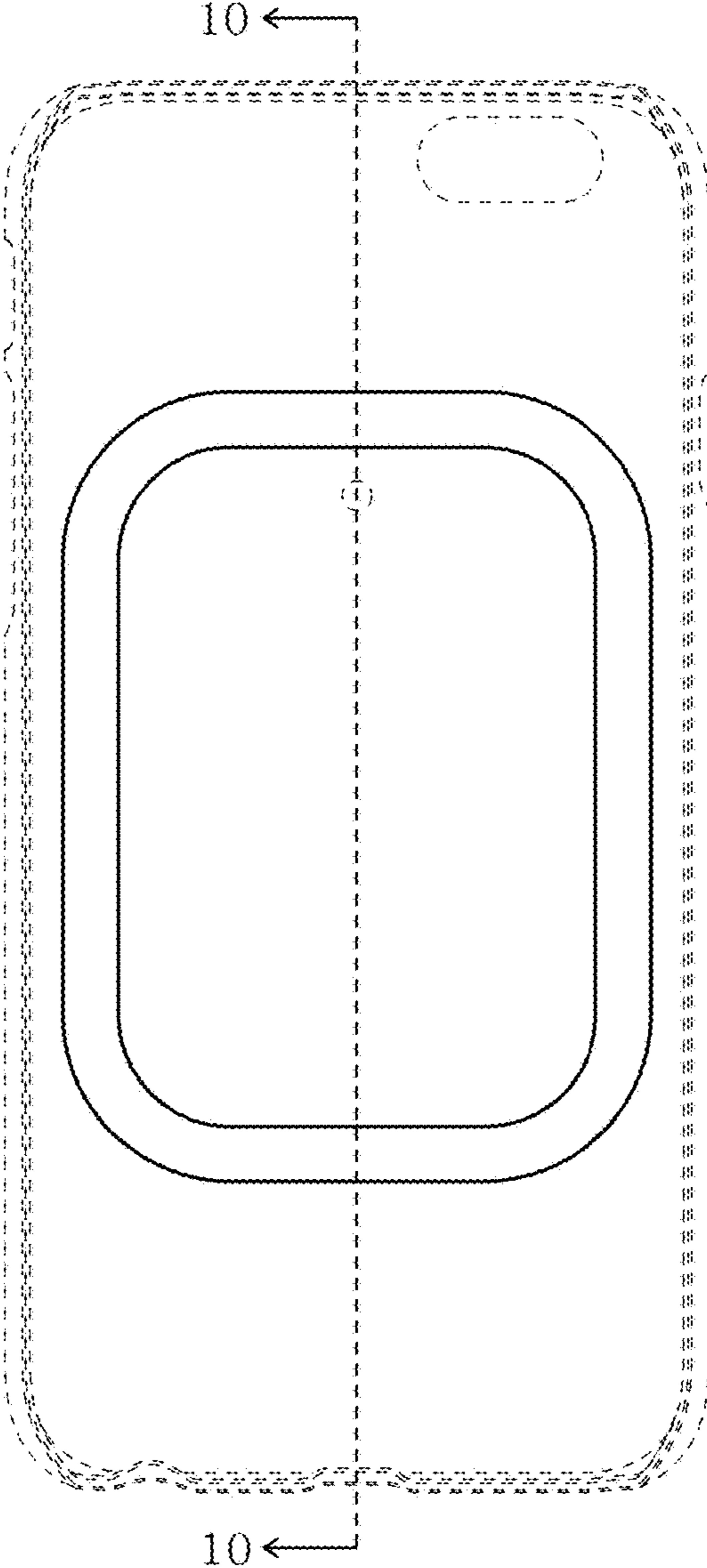


FIG. 3

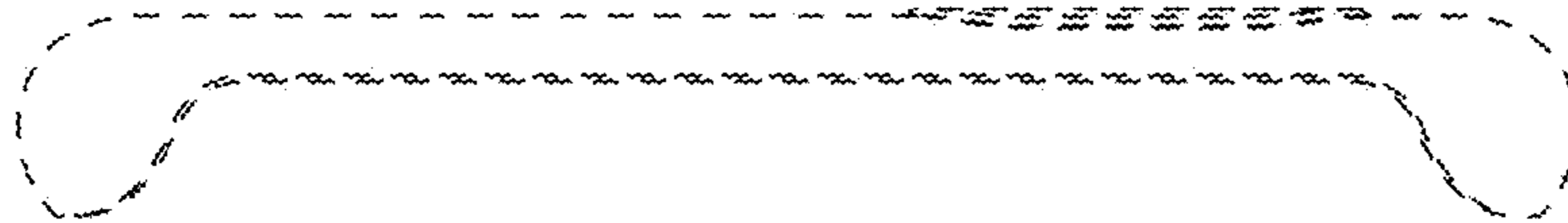


FIG. 4

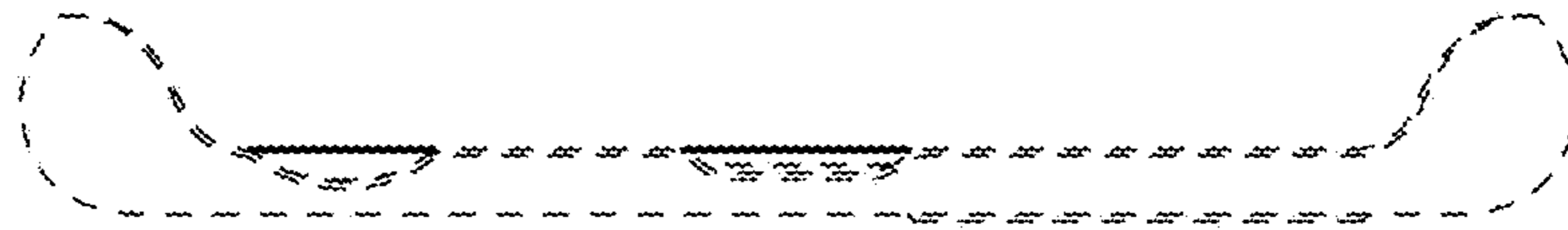


FIG. 5

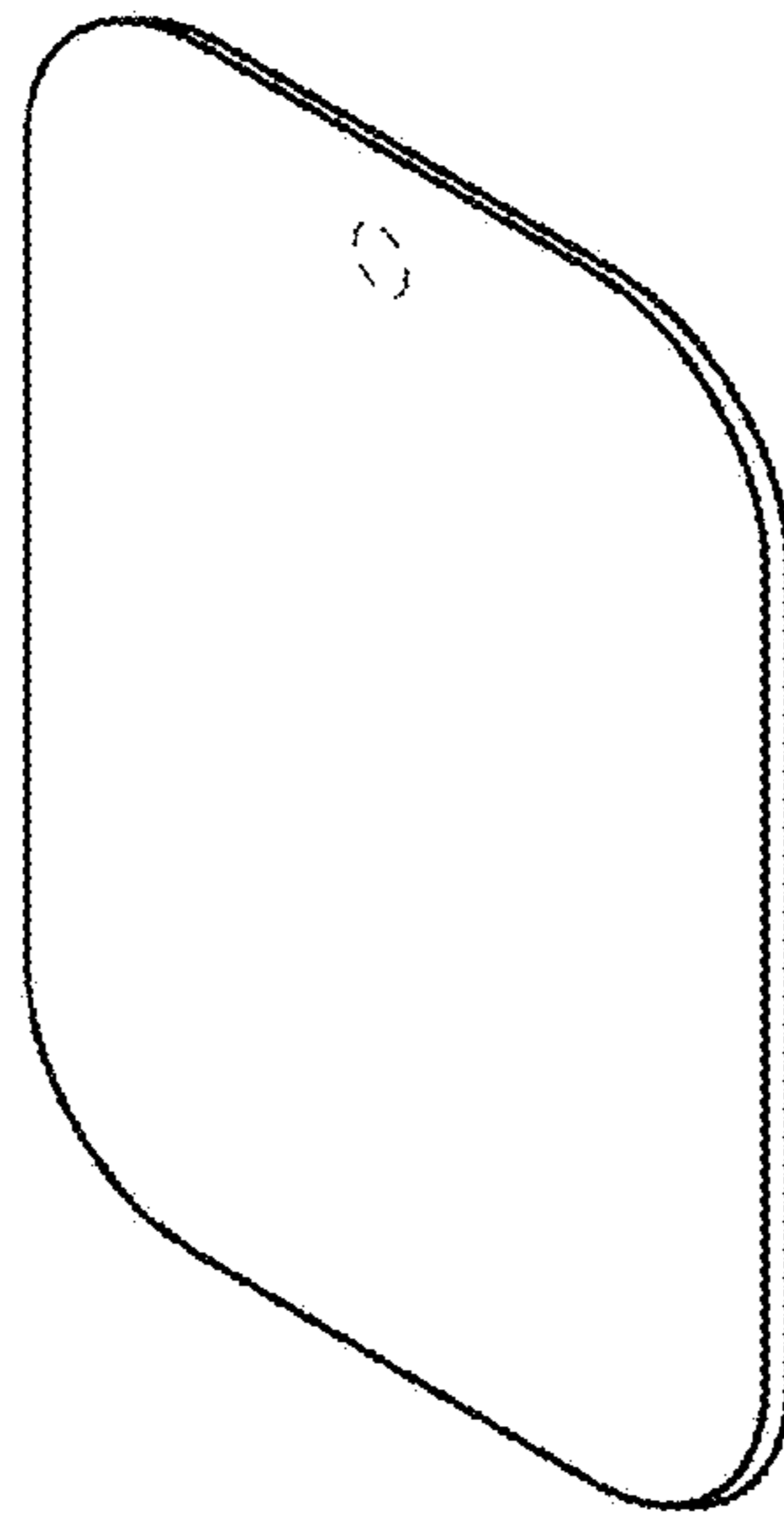


FIG. 6

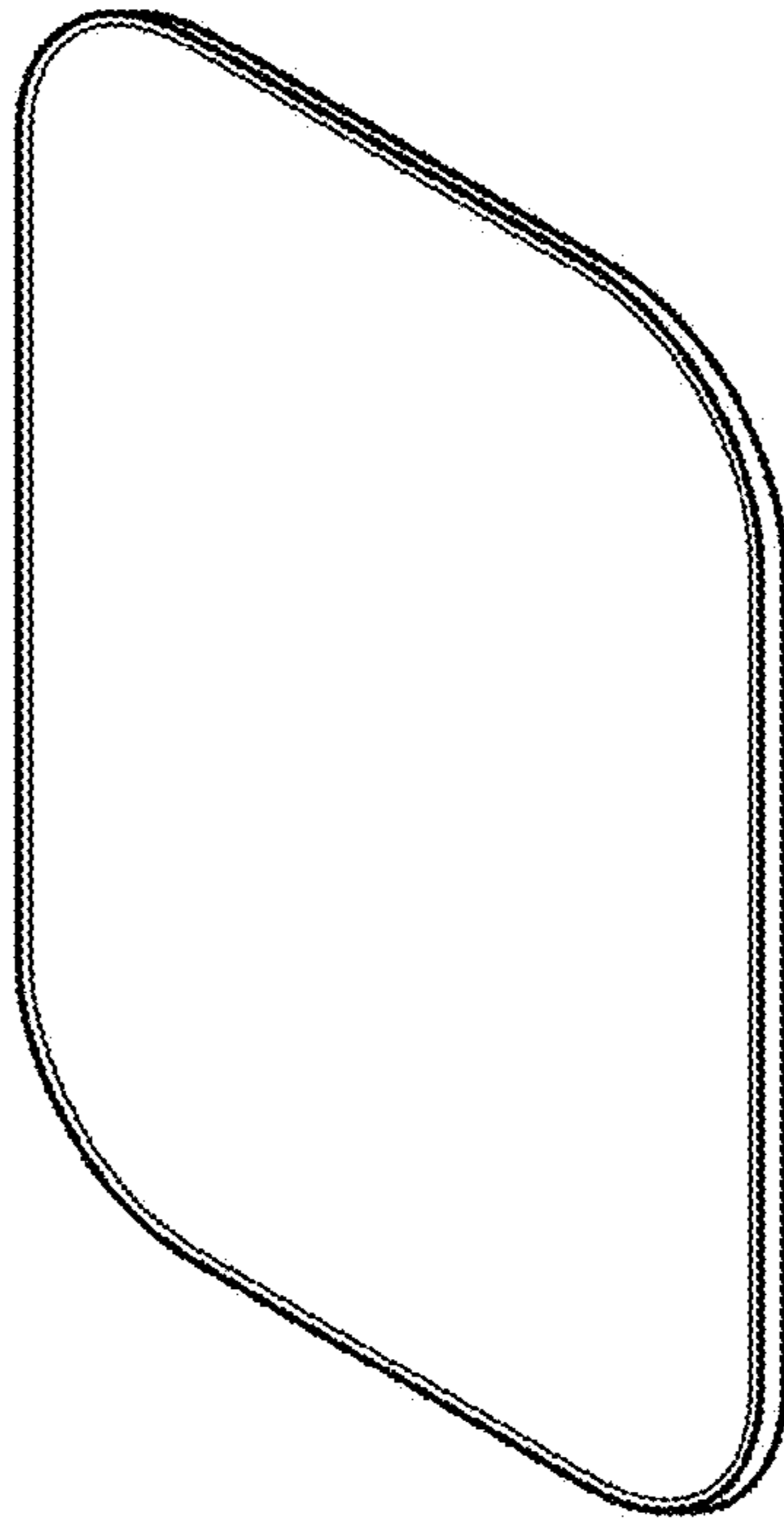




FIG. 7

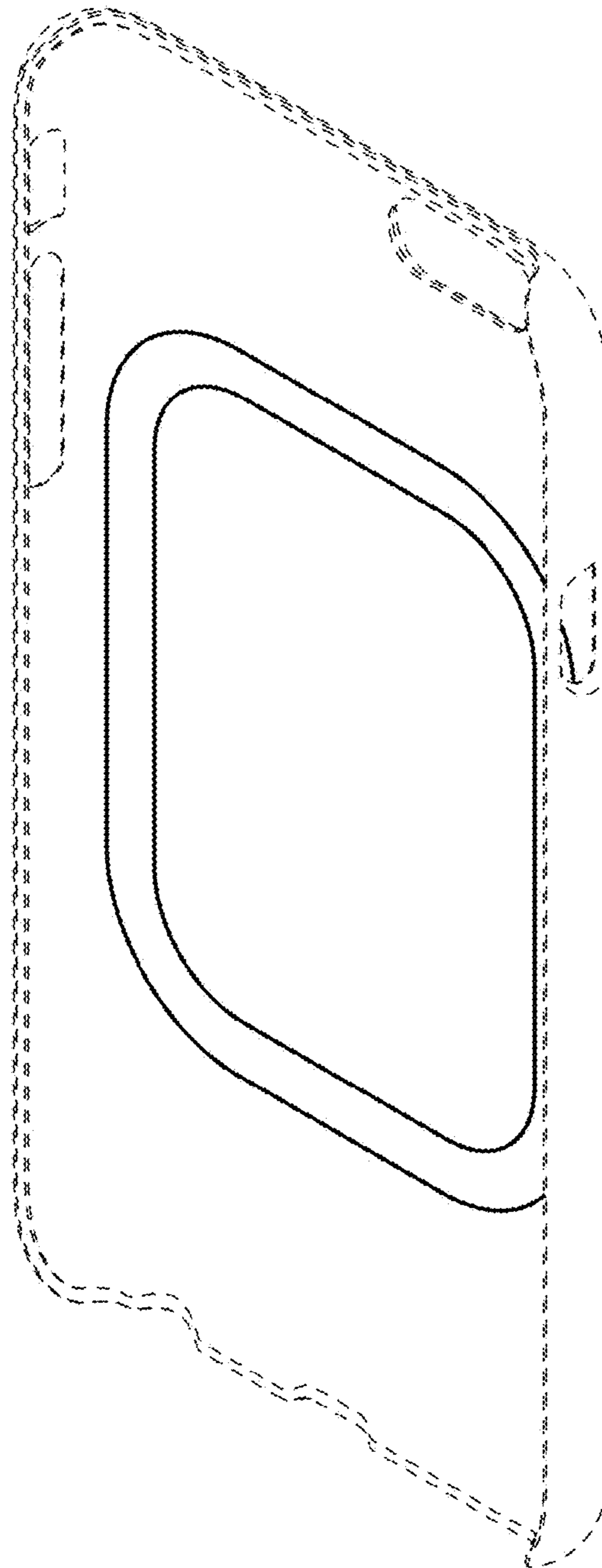


FIG. 8

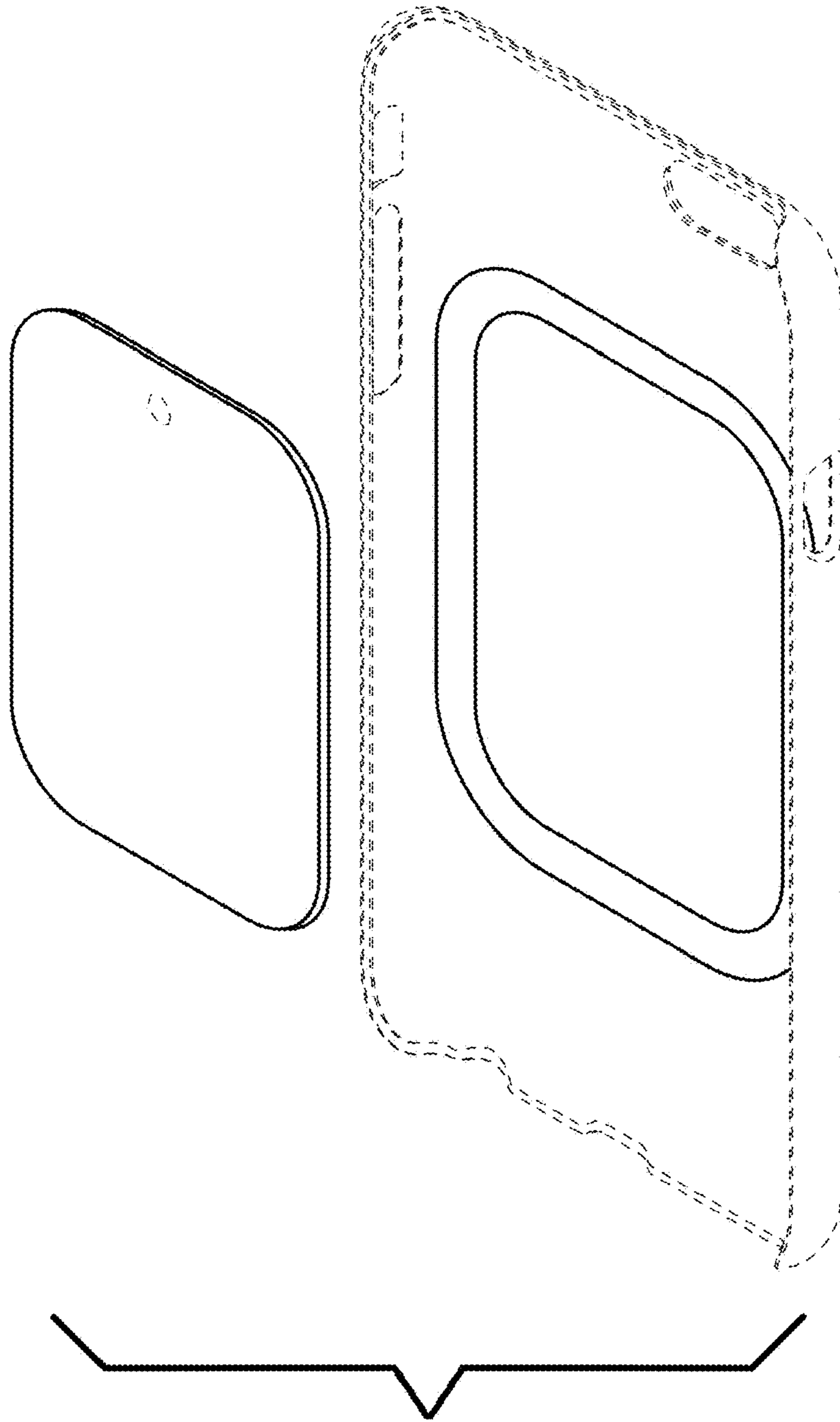


FIG. 9

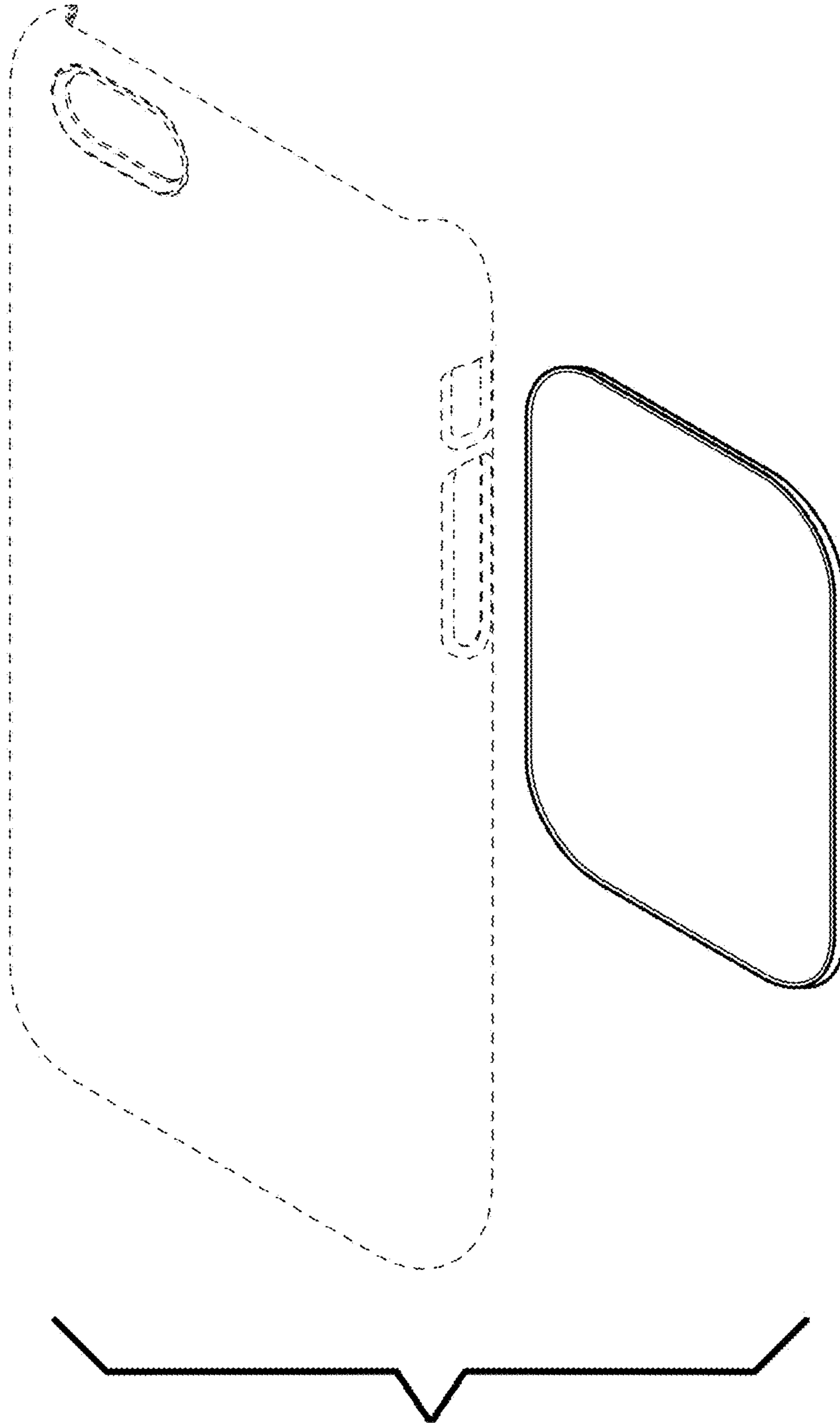


FIG. 10

