



US00D840986S

(12) **United States Design Patent** (10) **Patent No.:** **US D840,986 S**
Zheng (45) **Date of Patent:** **** Feb. 19, 2019**

(54) **ANTENNA**

(71) Applicant: **Airgain Incorporated**, San Diego, CA (US)

(72) Inventor: **Bei Zheng**, Zhang Jia Gang (CN)

(73) Assignee: **Airgain Incorporated**, San Diego, CA (US)

(**) Term: **15 Years**

(21) Appl. No.: **29/649,186**

(22) Filed: **May 28, 2018**

Related U.S. Application Data

(62) Division of application No. 29/611,529, filed on Jul. 21, 2017, now Pat. No. Des. 819,610, which is a division of application No. 29/557,698, filed on Mar. 10, 2016, now Pat. No. Des. 792,871.

(51) **LOC (11) Cl.** **14-03**

(52) **U.S. Cl.**
USPC **D14/230**

(58) **Field of Classification Search**
USPC D14/138, 230, 231, 232, 234, 235, 236, D14/237, 238, 238.1, 250, 299, 358; D13/175, 182
CPC G01R 29/10; G01S 2013/0245; G01S 2013/0254; G01S 2013/0263; G01S 7/4026; G05B 2219/45001; G06K 19/07773; G06K 19/07775; G06K 19/07777; G08B 13/2468; G08B 13/2477; H01Q 1/088

See application file for complete search history.

(56) **References Cited**

U.S. PATENT DOCUMENTS

| | | | | | | |
|--------------|----|---|---------|-------|-------|------------------------|
| D535,290 | S | * | 1/2007 | Su | | D14/230 |
| D754,108 | S | * | 4/2016 | Yang | | D14/230 |
| D765,062 | S | * | 8/2016 | Zheng | | D14/230 |
| D768,116 | S | * | 10/2016 | Zheng | | D14/230 |
| D778,882 | S | * | 2/2017 | Zheng | | D14/230 |
| D778,883 | S | * | 2/2017 | Zheng | | D14/230 |
| D792,871 | S | * | 7/2017 | Zheng | | D14/230 |
| D799,453 | S | * | 10/2017 | Chang | | D14/230 |
| D815,072 | S | * | 4/2018 | Chang | | D14/230 |
| D819,610 | S | * | 6/2018 | Zheng | | D14/230 |
| 2005/0073462 | A1 | * | 4/2005 | Lin | | G06F 1/1616 343/702 |

* cited by examiner

Primary Examiner — Khawaja Anwar

Assistant Examiner — Mojtaba Tehrani

(74) *Attorney, Agent, or Firm* — Clause Eight IPS; Michael Catania

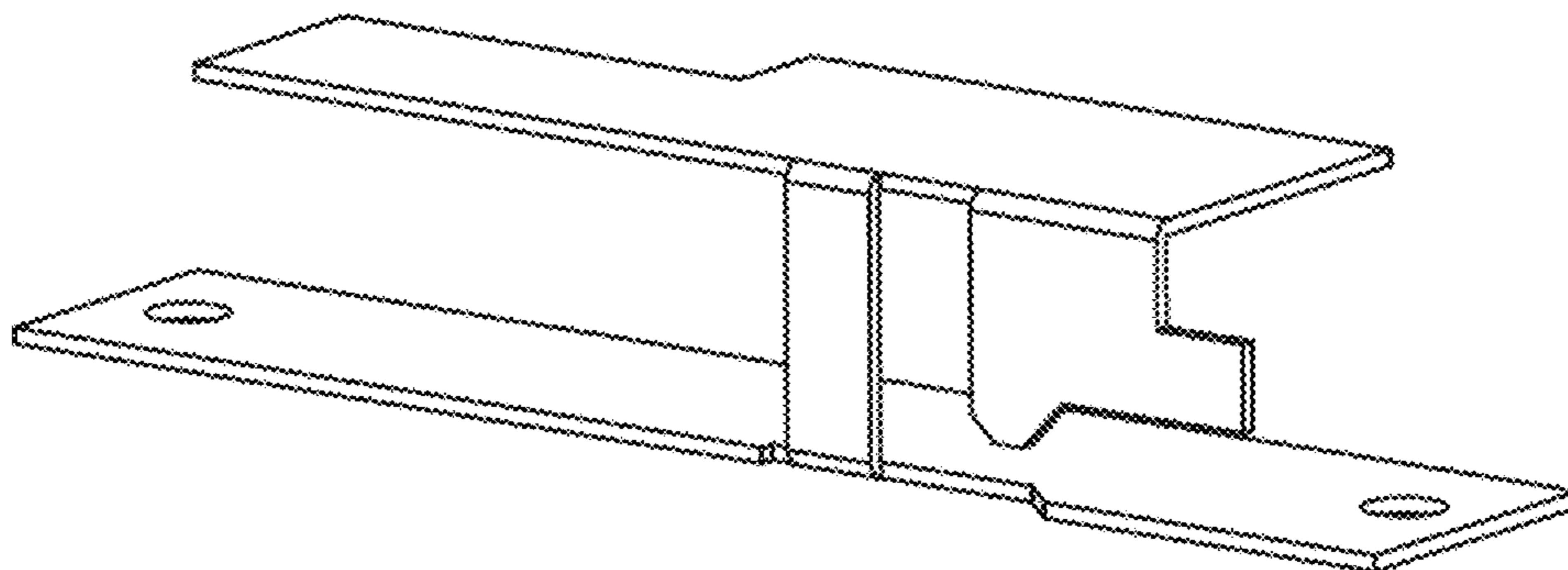
(57) **CLAIM**

The ornamental design for an antenna, as shown and described.

DESCRIPTION

FIG. 1 is a top perspective view of an antenna, showing my new design;
FIG. 2 is a top plan view thereof;
FIG. 3 is a front elevation view thereof;
FIG. 4 is a bottom plan view thereof; and,
FIG. 5 is a side elevation view thereof.

1 Claim, 2 Drawing Sheets



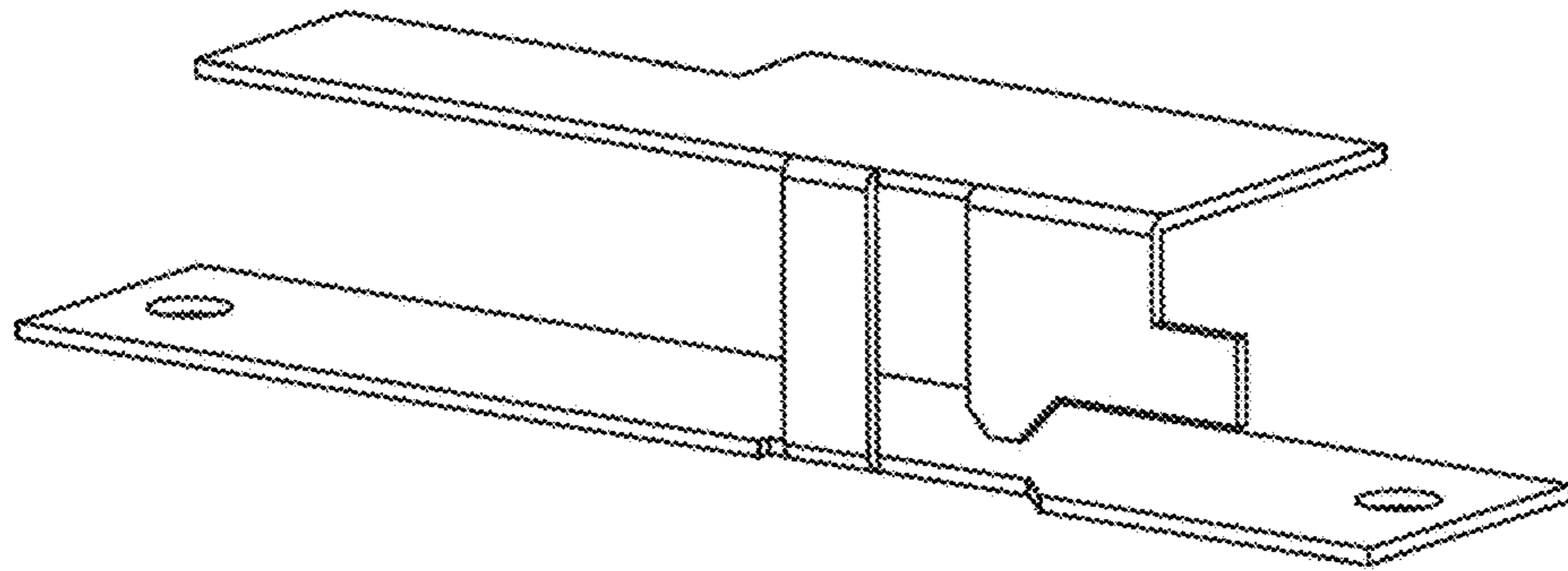


FIG. 1

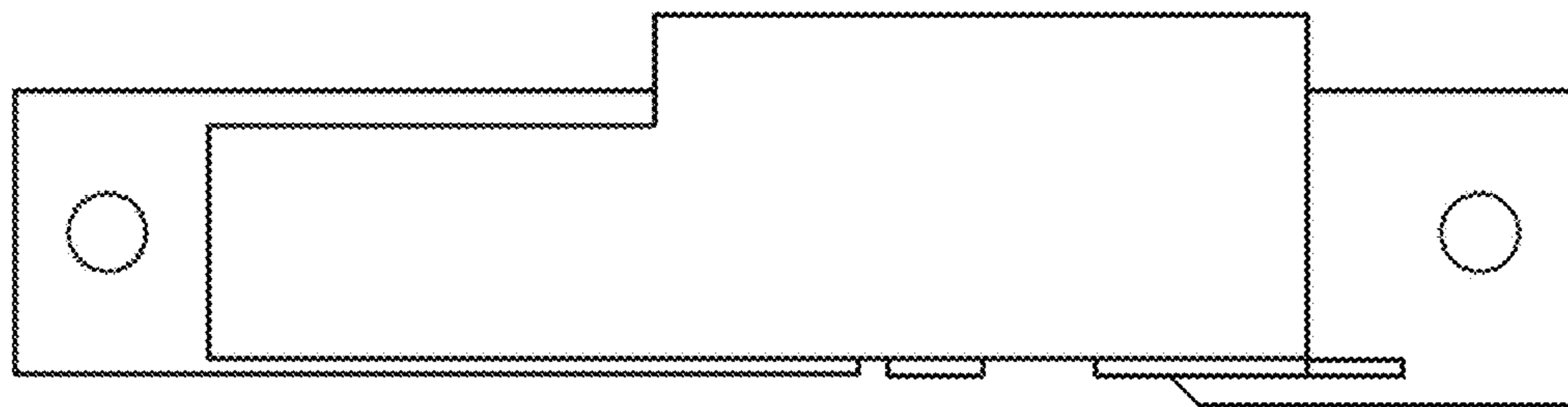


FIG. 2

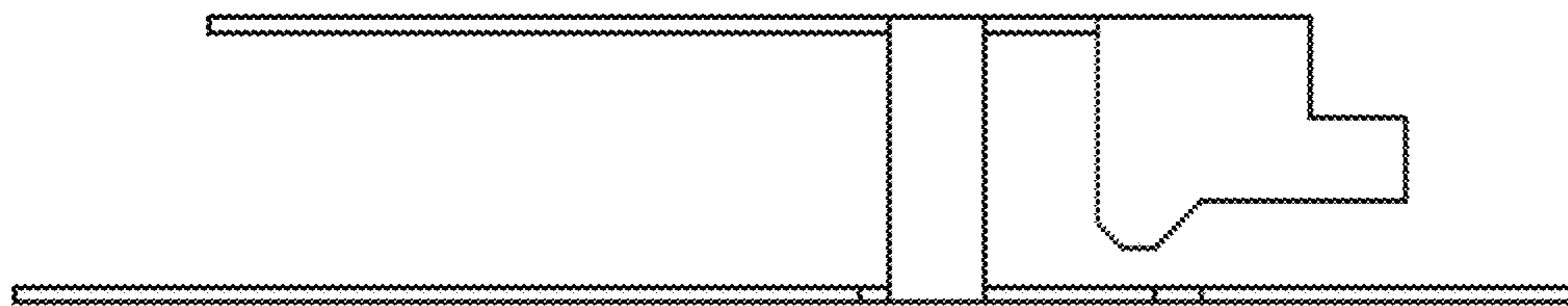


FIG. 3

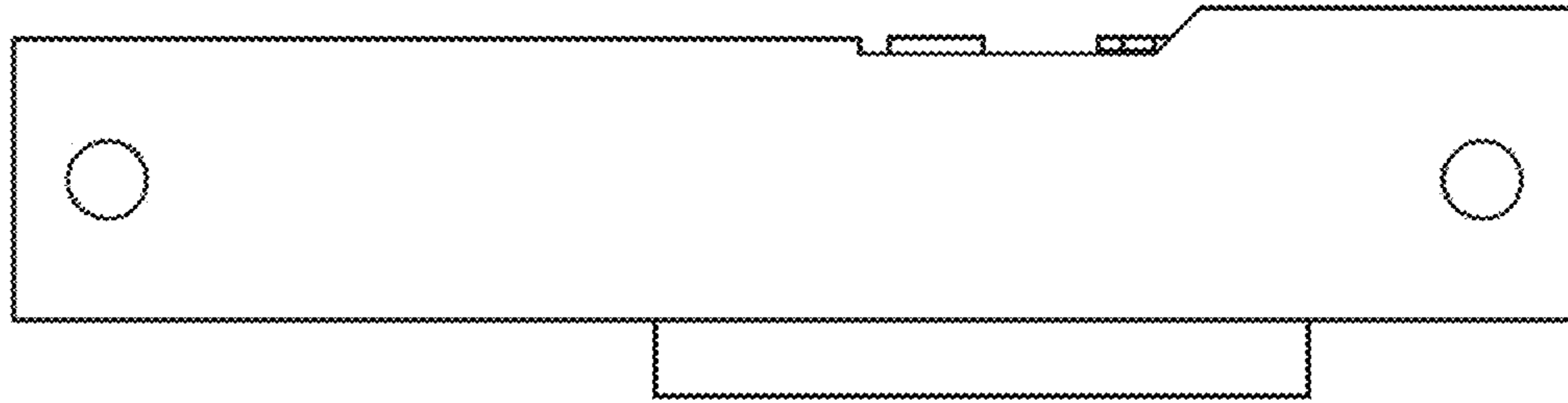


FIG. 4

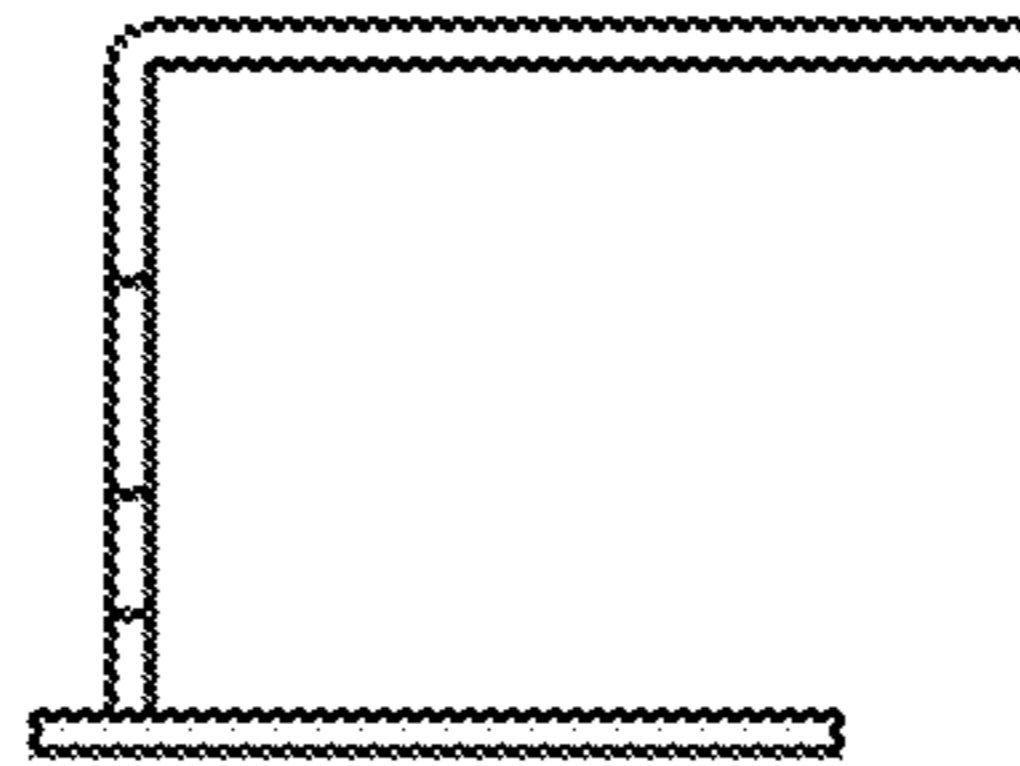


FIG. 5