



US00D840981S

(12) **United States Design Patent** (10) **Patent No.:** **US D840,981 S**  
**Forster** (45) **Date of Patent:** **\*\* Feb. 19, 2019**

(54) **RFID INLAY**

(71) Applicant: **AVERY DENNISON RETAIL INFORMATION SERVICES, LLC**, Mentor, OH (US)

(72) Inventor: **Ian J. Forster**, Chelmsford (GB)

(73) Assignee: **AVERY DENNISON RETAIL INFORMATION SERVICES, LLC**, Mentor, OH (US)

(\*\*) Term: **15 Years**

(21) Appl. No.: **29/622,952**

(22) Filed: **Oct. 20, 2017**

(51) **LOC (11) Cl.** ..... **14-03**

(52) **U.S. Cl.**  
USPC ..... **D14/230**

(58) **Field of Classification Search**  
USPC ... D14/230–238, 238.1, 299, 343, 489, 492;  
D13/182

CPC ..... H01Q 7/00; H01Q 13/10; H01Q 9/285;  
H01Q 19/30; H01Q 19/12; H01Q 1/36;  
H01Q 1/38; H04B 1/0475; H04B 1/034;  
H05K 11/00; G05D 1/0234; G06K  
19/07749

See application file for complete search history.

(56) **References Cited**

**U.S. PATENT DOCUMENTS**

D547,306 S *	7/2007	Oliver	.....	D14/230
D548,225 S *	8/2007	Oliver	.....	D14/230
D704,169 S *	5/2014	Forster	.....	D14/230
D704,682 S *	5/2014	Forster	.....	D14/230
D706,246 S *	6/2014	Forster	.....	D14/230
D708,171 S *	7/2014	Forster	.....	D14/230
D709,483 S *	7/2014	Forster	.....	D14/230
D716,774 S *	11/2014	Forster	.....	D14/230

9,172,130 B2 *	10/2015	Forster	.....	H01Q 1/2225
D813,181 S *	3/2018	Okajima	.....	D13/182
2005/0093677 A1 *	5/2005	Forster	.....	G06K 19/07749
				340/10.1
2012/0038461 A1 *	2/2012	Forster	.....	G06K 19/07749
				340/10.1
2012/0235870 A1 *	9/2012	Forster	.....	H01Q 7/00
				343/728
2014/0191043 A1 *	7/2014	Forster	.....	G06K 19/07773
				235/492
2016/0019452 A1 *	1/2016	Forster	.....	H01Q 1/2225
				235/492

**FOREIGN PATENT DOCUMENTS**

WO	WO-2004097731 A2 *	11/2004	.....	G06K 19/045
WO	WO-2005045755 A2 *	5/2005	.....	G06K 19/07749

**OTHER PUBLICATIONS**

Avery Dennison, RFID Inlay: AD-810r6, online, issue date Aug. 24, 2018, <URL: [http://rfid.averydennison.com/content/dam/averydennison/rfid/Global/Documents/datasheets/Application-notes-AD810\\_AD850.pdf](http://rfid.averydennison.com/content/dam/averydennison/rfid/Global/Documents/datasheets/Application-notes-AD810_AD850.pdf)>, retrieved Sep. 10, 2018.\*

(Continued)

*Primary Examiner* — Jeffrey D Asch  
*Assistant Examiner* — Rebekah A Caruso  
(74) *Attorney, Agent, or Firm* — Avery Dennison Retail Information Services, LLC

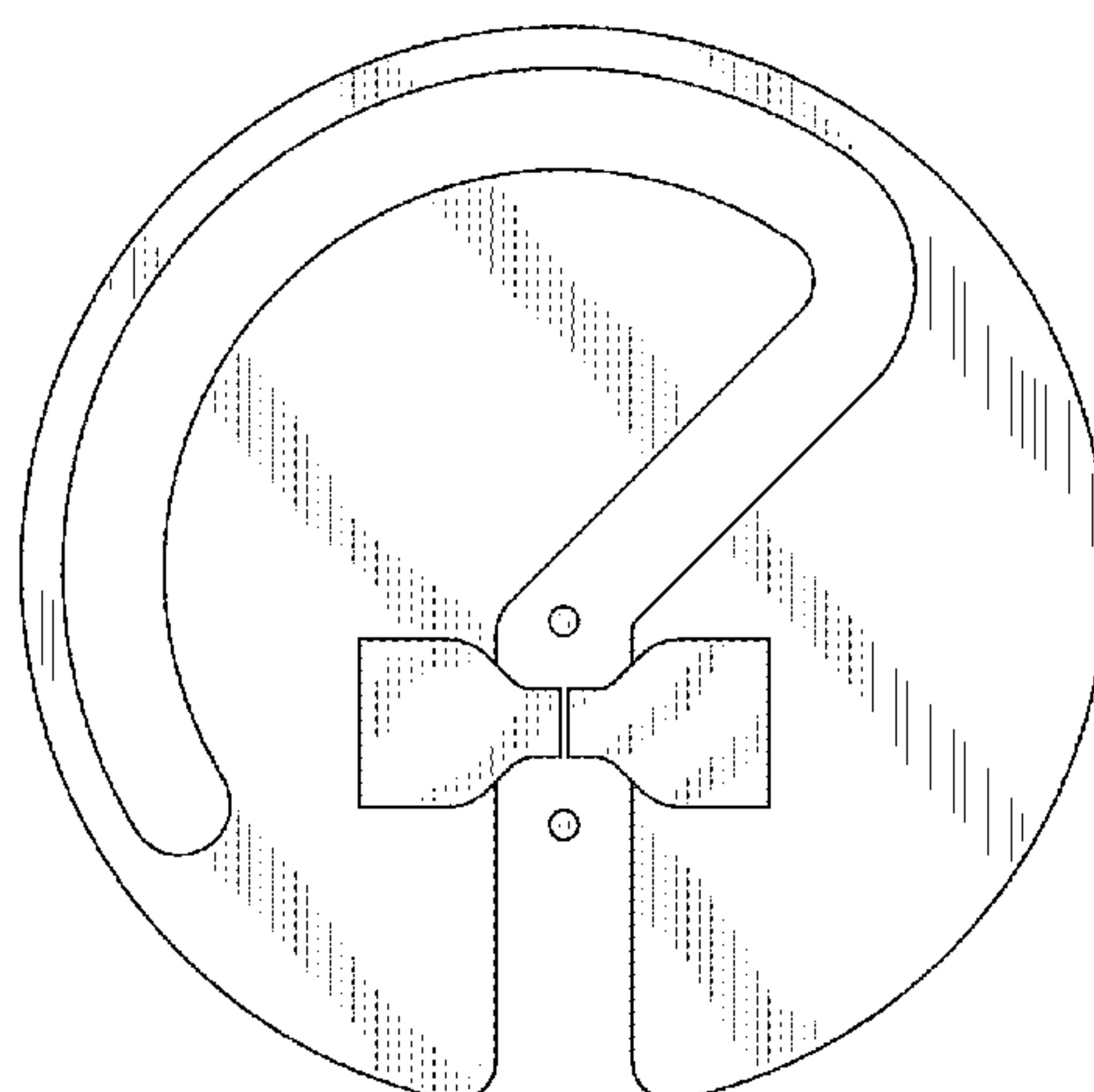
(57) **CLAIM**

The ornamental design for an RFID inlay, as shown and described.

**DESCRIPTION**

FIG. 1 is an isometric view of an RFID inlay, showing my design; and,  
FIG. 2 is a top view thereof.

**1 Claim, 2 Drawing Sheets**



(56)

**References Cited**

OTHER PUBLICATIONS

Avery Dennison, RFID Inlay: AD-550m5, online, no post date, <URL: <https://rfid.averydennison.com/en/home/innovation/rfid-inlay-designs/AD-550m5.html>>, retrieved Sep. 10, 2018.\*

Avery Dennison, UHF RFID Inlay: AD-680r6 and AD-680r6-P, online, no post date, <URL: <https://rfid.averydennison.com/en/home/innovation/rfid-inlay-designs/AD-680r6-AD-680r6-P.html>>, retrieved Sep. 10, 2018.\*

\* cited by examiner

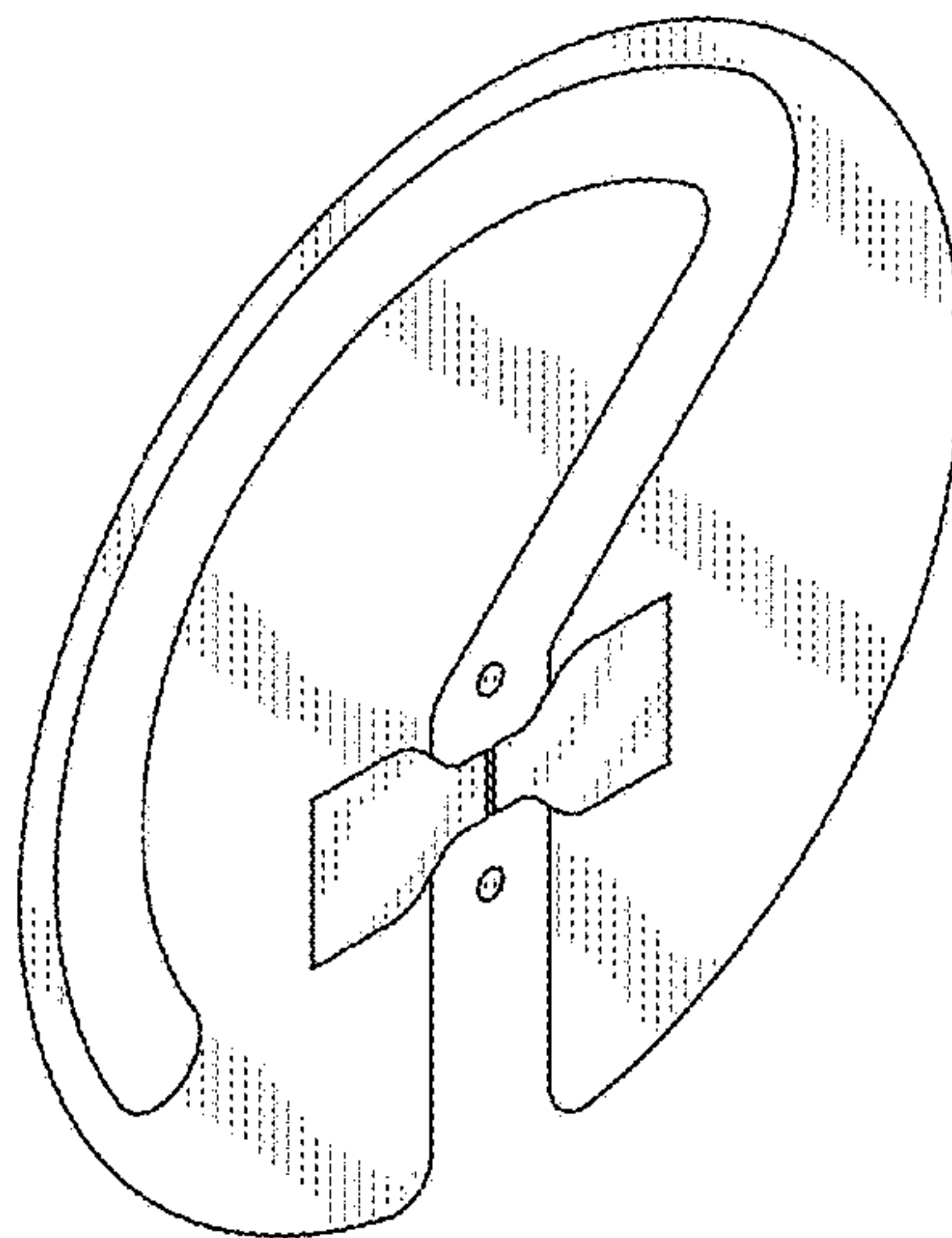


FIG. 1

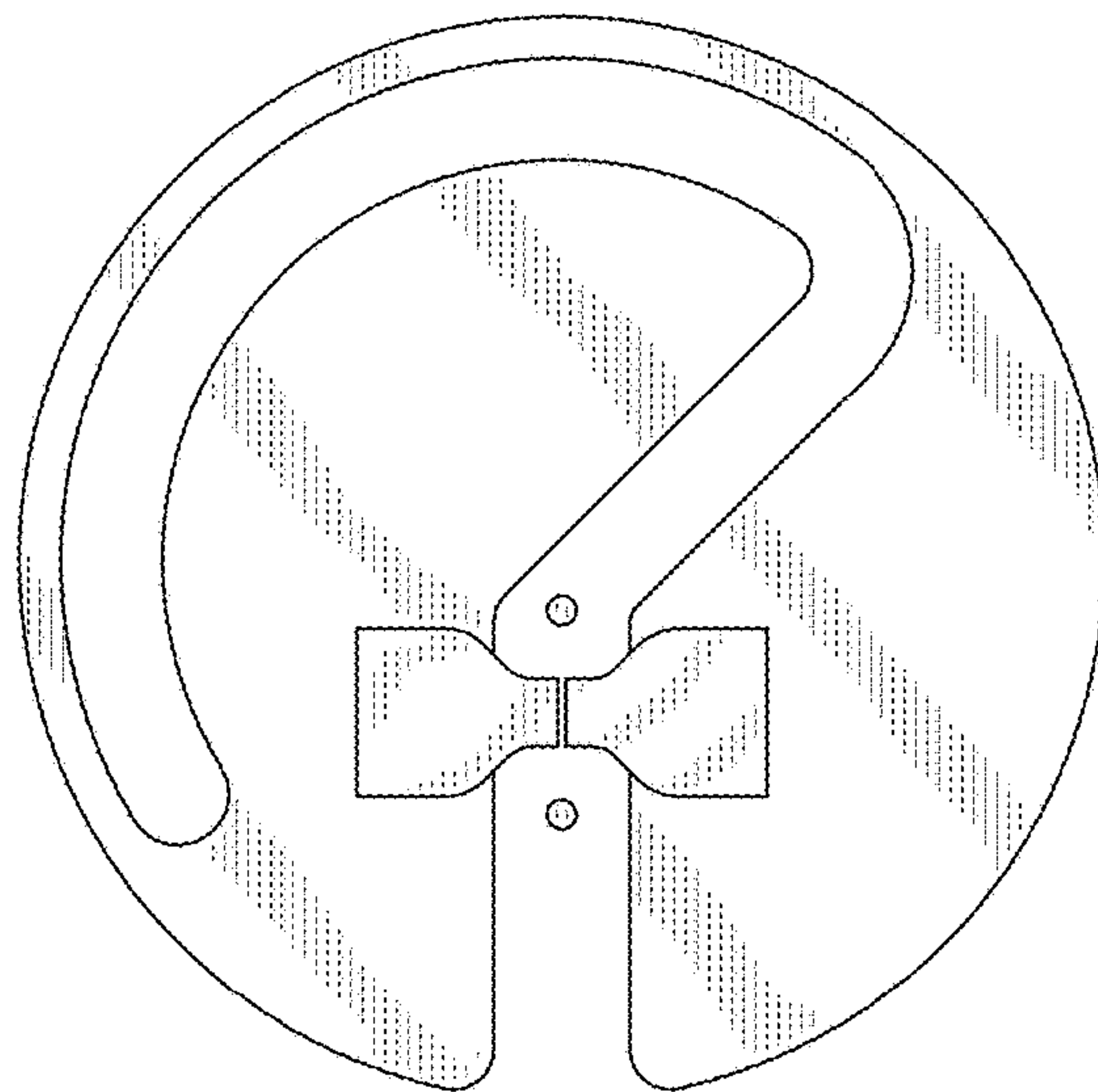


FIG. 2