



US00D840980S

(12) **United States Design Patent** (10) **Patent No.:** **US D840,980 S**  
**Bangalore** (45) **Date of Patent:** **\*\* Feb. 19, 2019**

(54) **MICROPHONE ARRAY**  
(71) Applicant: **UBENSE Corp.**, Burbank, CA (US)  
(72) Inventor: **Abhijith Bangalore**, Burbank, CA (US)  
(73) Assignee: **UBENSE CORP.**, Burbank, CA (US)

(\*\*) Term: **15 Years**

(21) Appl. No.: **29/628,508**

(22) Filed: **Dec. 5, 2017**

(51) **LOC (11) Cl.** ..... **14-01**

(52) **U.S. Cl.**  
USPC ..... **D14/225**

(58) **Field of Classification Search**  
USPC ..... D14/224-229; D16/244; D17/99;  
D6/681; 248/125.1, 166, 185.1;  
381/355, 359, 361-363, 365, 366, 369,  
381/375; 379/428.01, 428.04, 431,  
379/433.03  
CPC . H04R 25/00; H04R 1/02; H04R 5/02; H04R  
9/08; F16M 11/38; F16M 13/00; F16M  
11/00  
See application file for complete search history.

(56) **References Cited**

**U.S. PATENT DOCUMENTS**

D239,070 S \* 3/1976 Gray ..... D3/25  
D271,913 S \* 12/1983 Nanfito ..... D32/55  
5,322,250 A \* 6/1994 Wilhite, Jr. .... F16M 11/38  
248/166  
D421,447 S \* 3/2000 Eason ..... D16/244  
D465,946 S \* 11/2002 Boyd, Jr. .... D6/681.3  
6,505,429 B2 \* 1/2003 Percival ..... F41A 23/12  
248/163.1

D503,286 S \* 3/2005 Stevens ..... D6/327  
D566,990 S \* 4/2008 Cook ..... D6/681.3  
D610,370 S \* 2/2010 Quan ..... D6/681.3  
D699,546 S \* 2/2014 McGrath ..... D8/354  
D704,956 S \* 5/2014 English ..... D6/552  
9,119,000 B2 \* 8/2015 Tracy ..... H04R 1/26  
D793,131 S \* 8/2017 Gazit ..... D6/681.1  
D810,055 S \* 2/2018 Levine ..... D14/226

\* cited by examiner

*Primary Examiner* — Katie Jane Stofko  
(74) *Attorney, Agent, or Firm* — Dunlap Bennett &  
Ludwig PLLC; Brendan E. Squire

(57) **CLAIM**

The ornamental design for a microphone array, as shown and described.

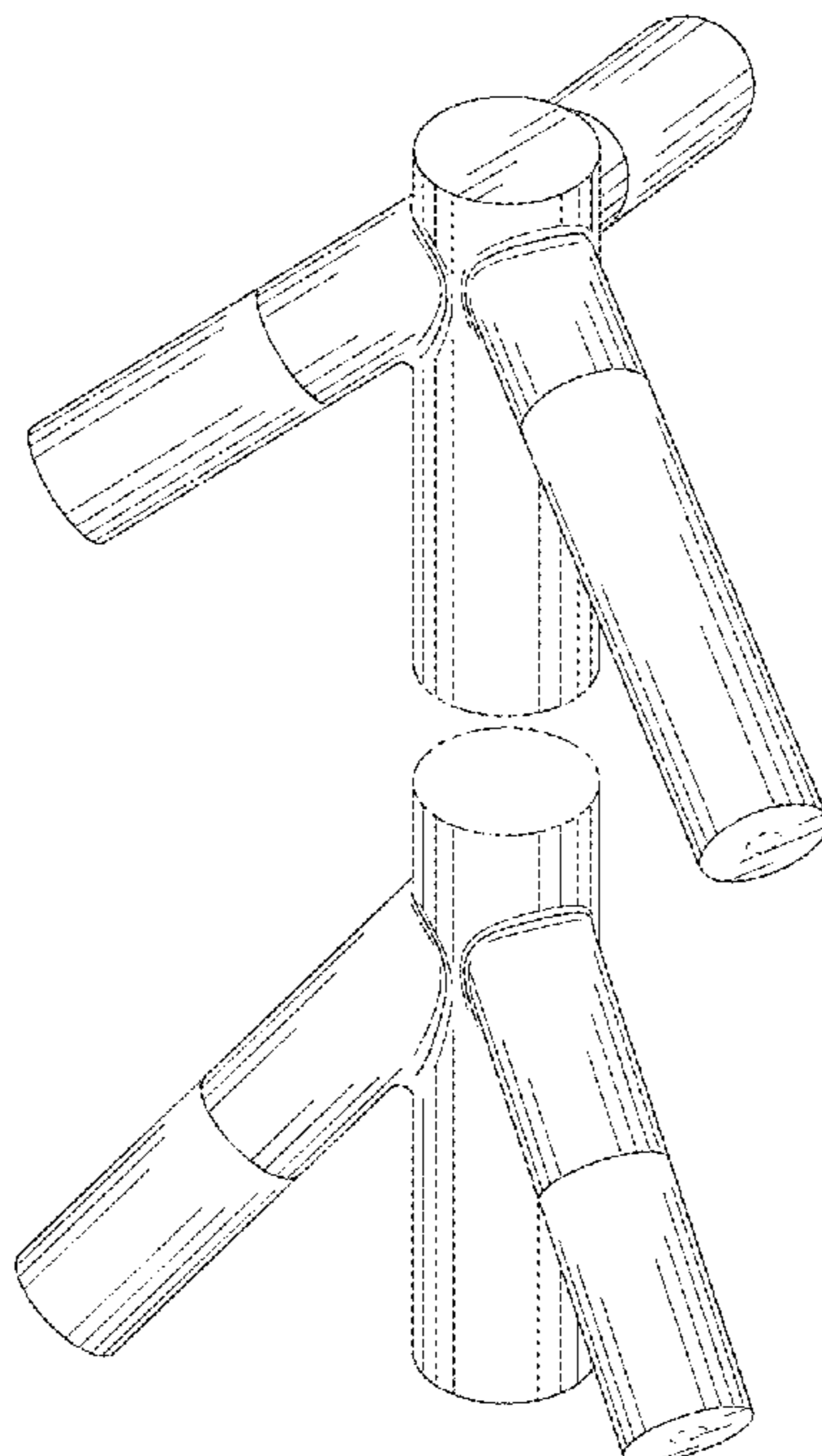
**DESCRIPTION**

FIG. 1 is a top front perspective view of the microphone array showing my new design;  
FIG. 2 is a front elevation view thereof;  
FIG. 3 is a rear elevation view thereof;  
FIG. 4 is a right elevation view thereof;  
FIG. 5 is a left elevation view thereof;  
FIG. 6 is a top plan view thereof; and,  
FIG. 7 is a bottom plan view thereof.

The evenly-spaced broken lines shown in FIGS. 1-5 and 7 illustrate portions of the microphone array that form no part of the claimed design.

The dot-dash break lines shown in the middle portion of the microphone array in FIGS. 1-5 indicate that the appearance of any portion of the article between the break lines forms no part of the claimed design. The dot-dash broken lines shown in FIG. 7 indicate a boundary of the claimed design that forms no part of the claimed design.

**1 Claim, 4 Drawing Sheets**



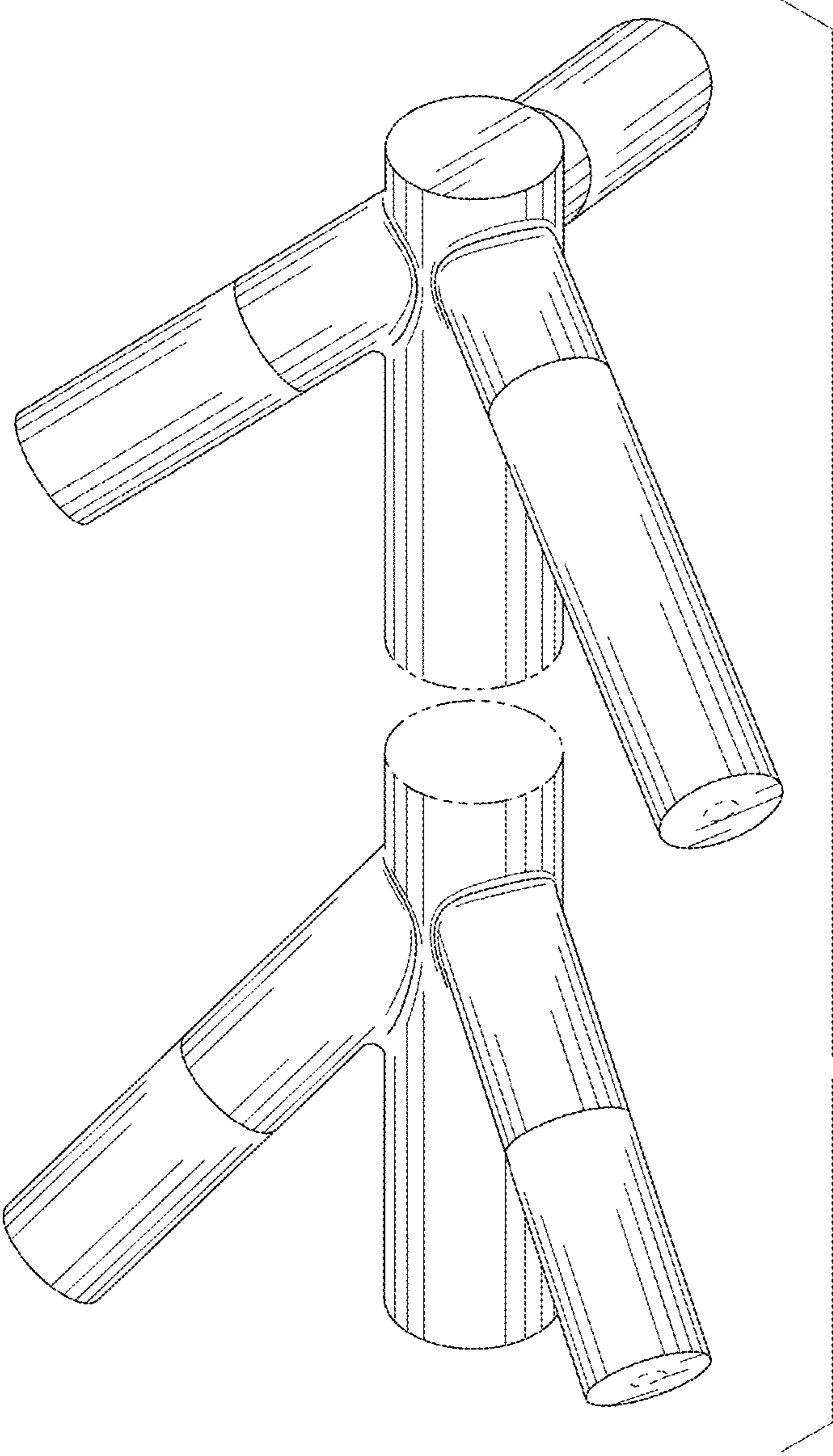
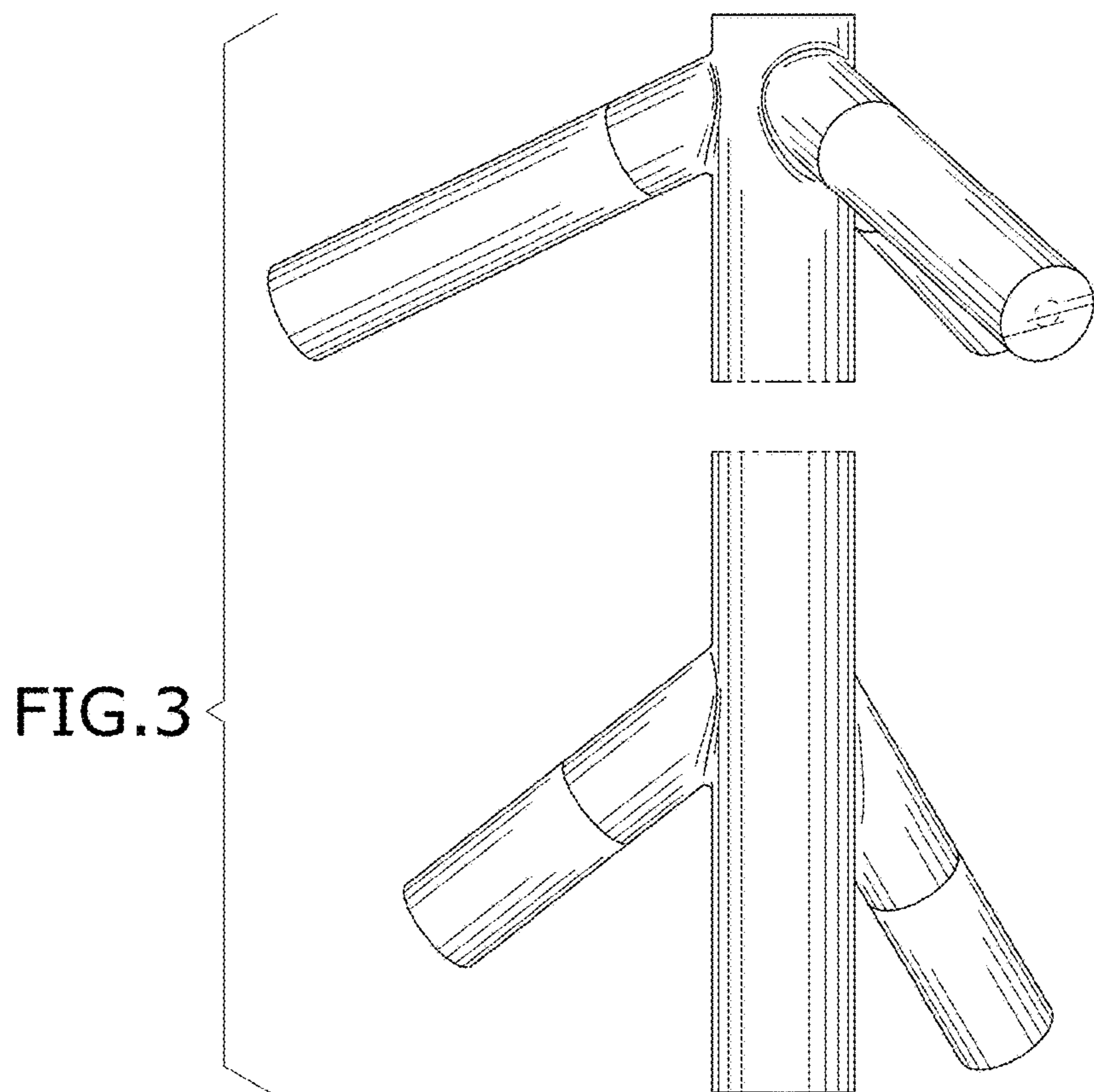
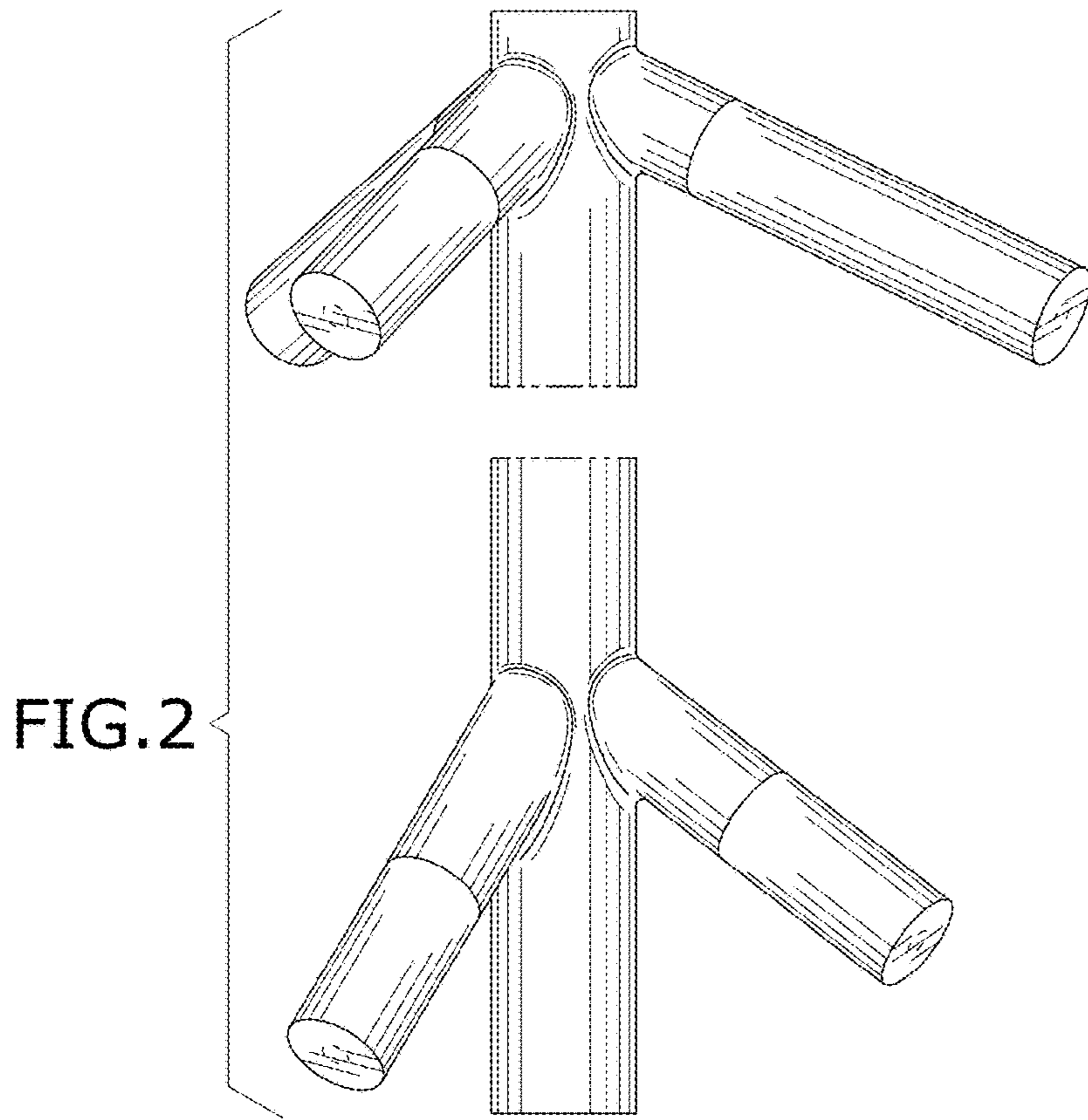
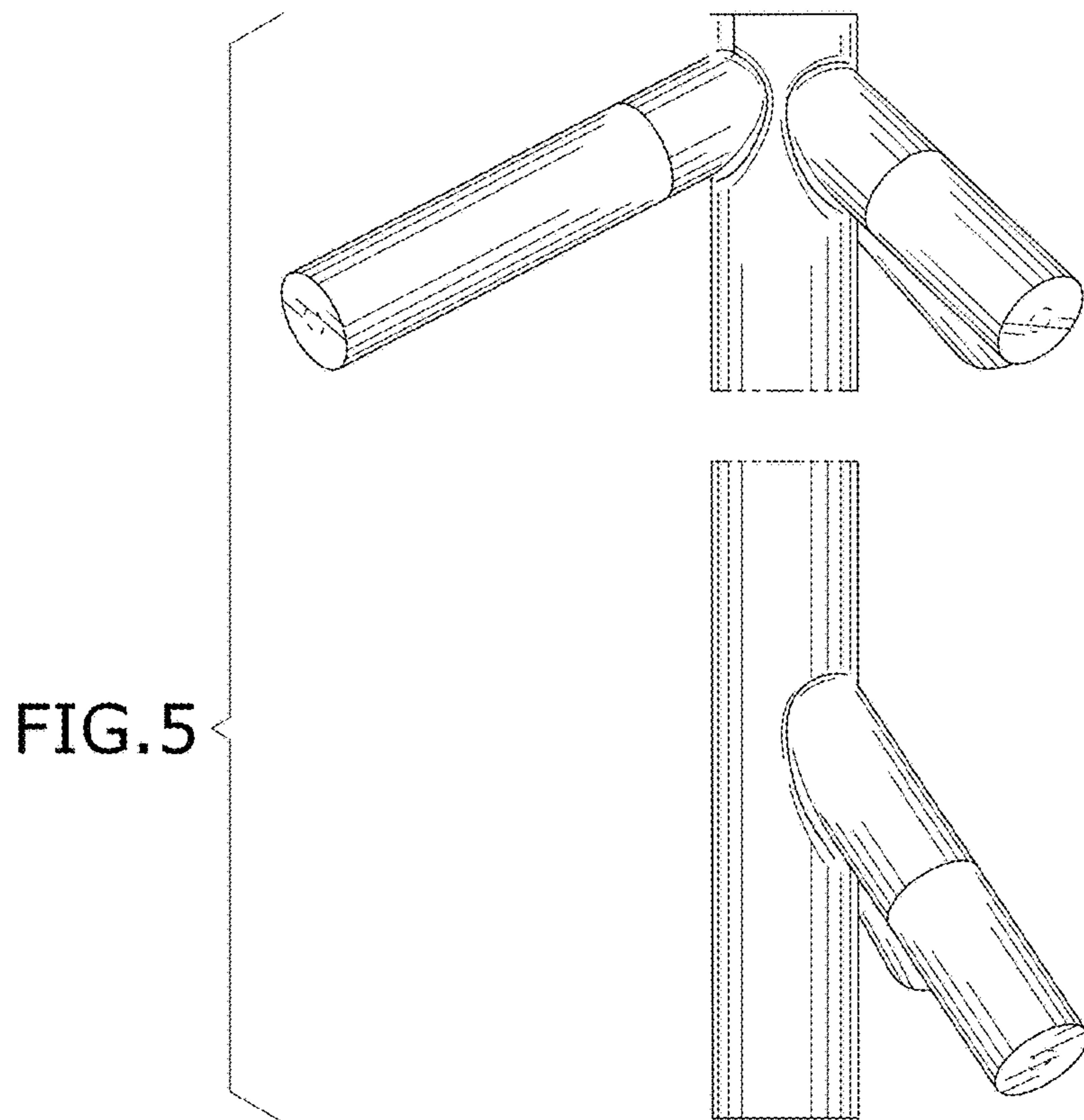
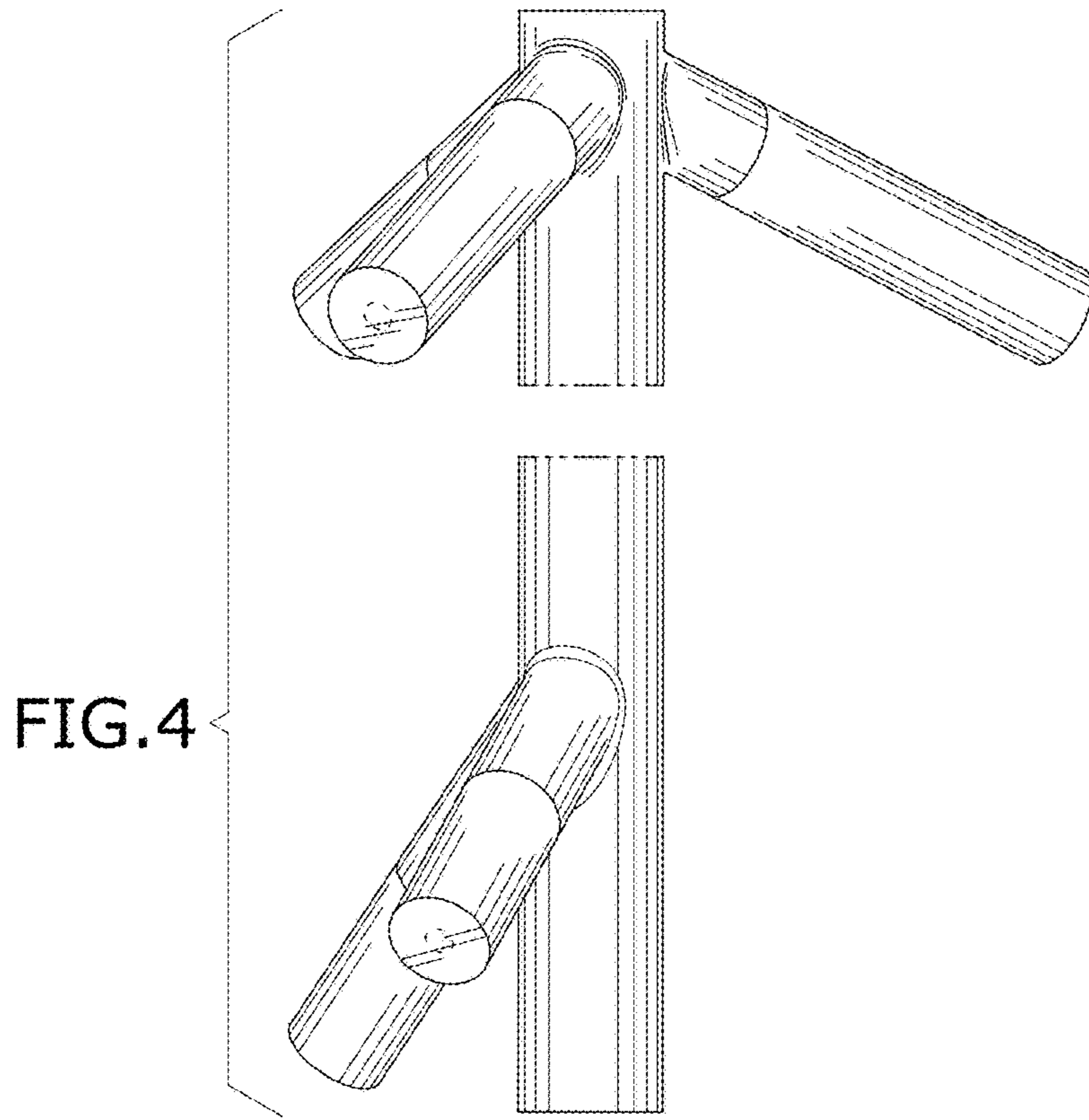


FIG. 1





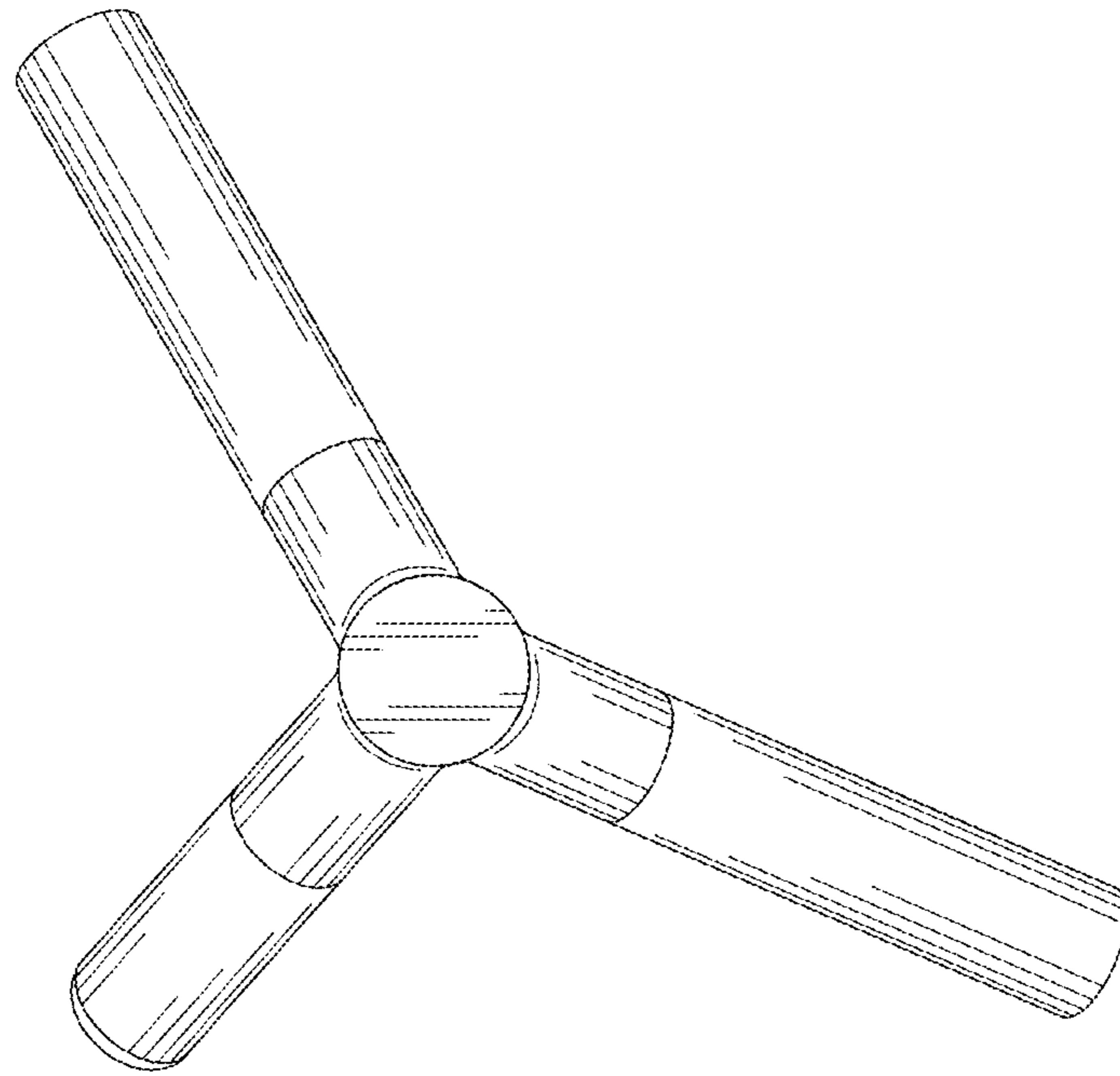


FIG. 6

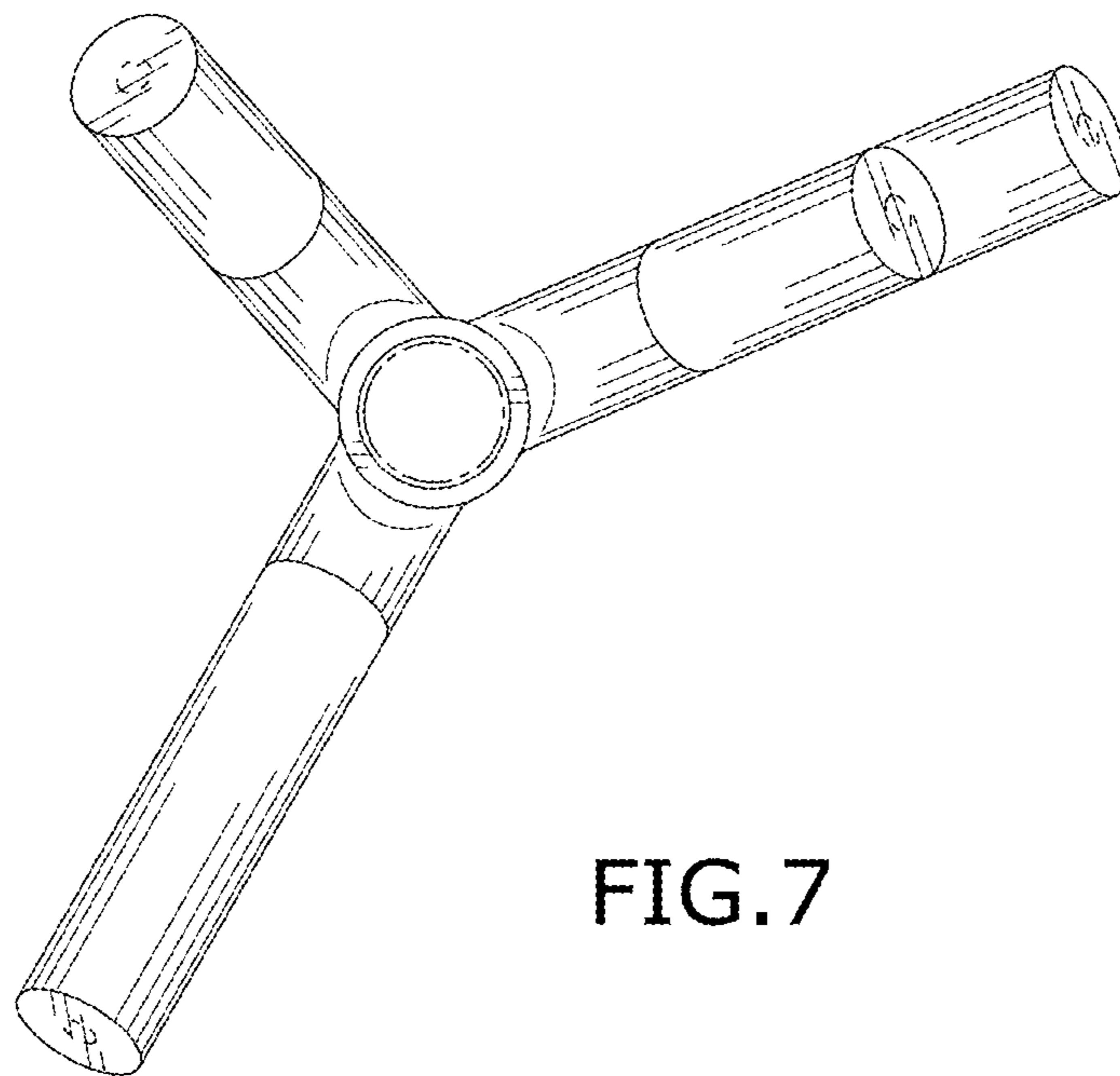


FIG. 7