



US00D840978S

(12) **United States Design Patent** (10) **Patent No.:** **US D840,978 S**
Spiel et al. (45) **Date of Patent:** **** Feb. 19, 2019**

(54) **CASE FOR WIRELESS ELECTRONIC EQUIPMENT**

76/021; H04W 76/028; H04W 12/02;
H04W 24/10; H04W 28/08; H04W 28/24;
(Continued)

(71) Applicant: **Cisco Technology, Inc.**, San Jose, CA (US)

(56) **References Cited**

(72) Inventors: **Seth Spiel**, San Francisco, CA (US);
Jennifer Ouk, San Francisco, CA (US);
Matthew Cho, San Francisco, CA (US);
Morgan Teachworth, Mountain View, CA (US)

U.S. PATENT DOCUMENTS

D552,603 S 10/2007 Tierney
D637,569 S 5/2011 Desai et al.
(Continued)

(73) Assignee: **CISCO TECHNOLOGY, INC.**, San Jose, CA (US)

Primary Examiner — Ian Simmons
Assistant Examiner — Khawaja Anwar
(74) *Attorney, Agent, or Firm* — Polsinelli PC

(**) Term: **15 Years**

(57) **CLAIM**

We claim the ornamental design for a case for wireless electronic equipment, as shown and described.

(21) Appl. No.: **29/624,501**

DESCRIPTION

(22) Filed: **Nov. 1, 2017**

Related U.S. Application Data

(62) Division of application No. 29/533,264, filed on Jul. 15, 2015, now Pat. No. Des. 804,450.

(51) **LOC (11) Cl.** **14-01**

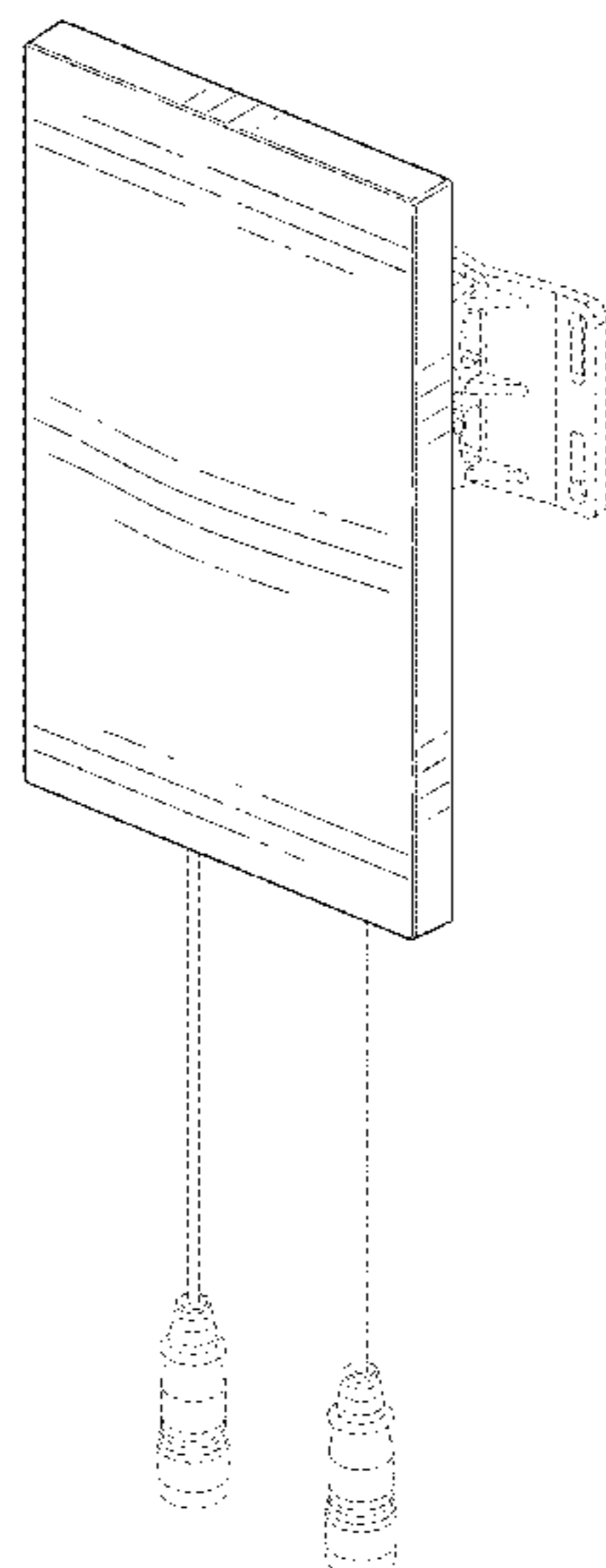
(52) **U.S. Cl.**
USPC **D14/217**

(58) **Field of Classification Search**

USPC D13/133, 139.3, 139.4, 152, 156, 155,
D13/158, 160, 162, 184, 199; D14/217,
D14/240, 242, 243, 435.1, 357, 358, 348,
D14/155, 137, 139
CPC ... H04W 4/008; H04W 12/06; H04W 76/023;
H04W 12/08; H04W 24/02; H04W 64/00;
H04W 88/06; H04W 4/001; H04W
52/0216; H04W 84/045; H04W 84/12;
H04W 12/04; H04W 28/16; H04W 36/30;
H04W 4/00; H04W 4/005; H04W 4/02;
H04W 4/021; H04W 60/00; H04W 72/04;
H04W 72/0446; H04W 72/0453; H04W

FIG. 1 is a perspective view of a first embodiment of a case for wireless electronic equipment, showing our new design; FIG. 2 is a front elevational view thereof; FIG. 3 is a rear elevational view thereof; FIG. 4 is a left side elevational view thereof; FIG. 5 is a right side elevational view thereof; FIG. 6 is a top plan view thereof; and FIG. 7 is a bottom plan view thereof. FIG. 8 is a perspective view of a second embodiment of the case for wireless electronic equipment; FIG. 9 is a front elevational view thereof; FIG. 10 is a rear elevational view thereof; FIG. 11 is a left side elevational view thereof; FIG. 12 is a right side elevational view thereof; FIG. 13 is a top plan view thereof; and, FIG. 14 is a bottom plan view thereof. Broken lines are for illustrating unclaimed portions of the case for wireless electronic equipment and for illustrating an environment related to the claimed design; the broken lines form no part of the claimed design.

1 Claim, 14 Drawing Sheets



(58) **Field of Classification Search**

CPC H04W 36/0016; H04W 36/0055; H04W
 36/0088; H04W 36/08; H04W 36/14;
 H04W 36/22; H04W 36/32; H04W
 52/0274; H04W 52/22; H04W 52/28;
 H04W 52/34; H04W 52/365; H04W
 56/001; H04W 56/004; H04W 56/0065;
 H04W 60/04; H04W 60/06; H04W
 64/003; H04W 64/006; H04W 72/005;
 H04W 72/0406; H04W 72/12; H04W
 72/1252; H04W 72/126

See application file for complete search history.

(56)

References Cited

U.S. PATENT DOCUMENTS

D687,817 S * 8/2013 Petersen D14/240
 D691,636 S 10/2013 Bunton

D695,281 S * 12/2013 Petersen D14/240
 D716,772 S * 11/2014 Cavero D14/225
 D743,962 S * 11/2015 Ikeda D14/348
 D744,464 S * 12/2015 Snyder D14/240
 D757,424 S 5/2016 Phillips et al.
 D759,639 S * 6/2016 Moon D14/242
 D767,548 S * 9/2016 Snyder D14/240
 D776,634 S * 1/2017 Lee D14/205
 D781,257 S * 3/2017 Moon D14/125
 D781,797 S * 3/2017 Moon D14/125
 D789,338 S * 6/2017 Moon D14/240
 D789,360 S * 6/2017 Moon D14/240
 D804,450 S * 12/2017 Spiel D14/217
 D808,368 S * 1/2018 Kwak D14/240
 D809,492 S * 2/2018 Moon D14/240
 D810,078 S * 2/2018 Kikuchi D14/358
 D814,449 S * 4/2018 Kwak D14/240
 D815,075 S * 4/2018 Kwak D14/240
 2006/0126882 A1 6/2006 Deng et al.

* cited by examiner

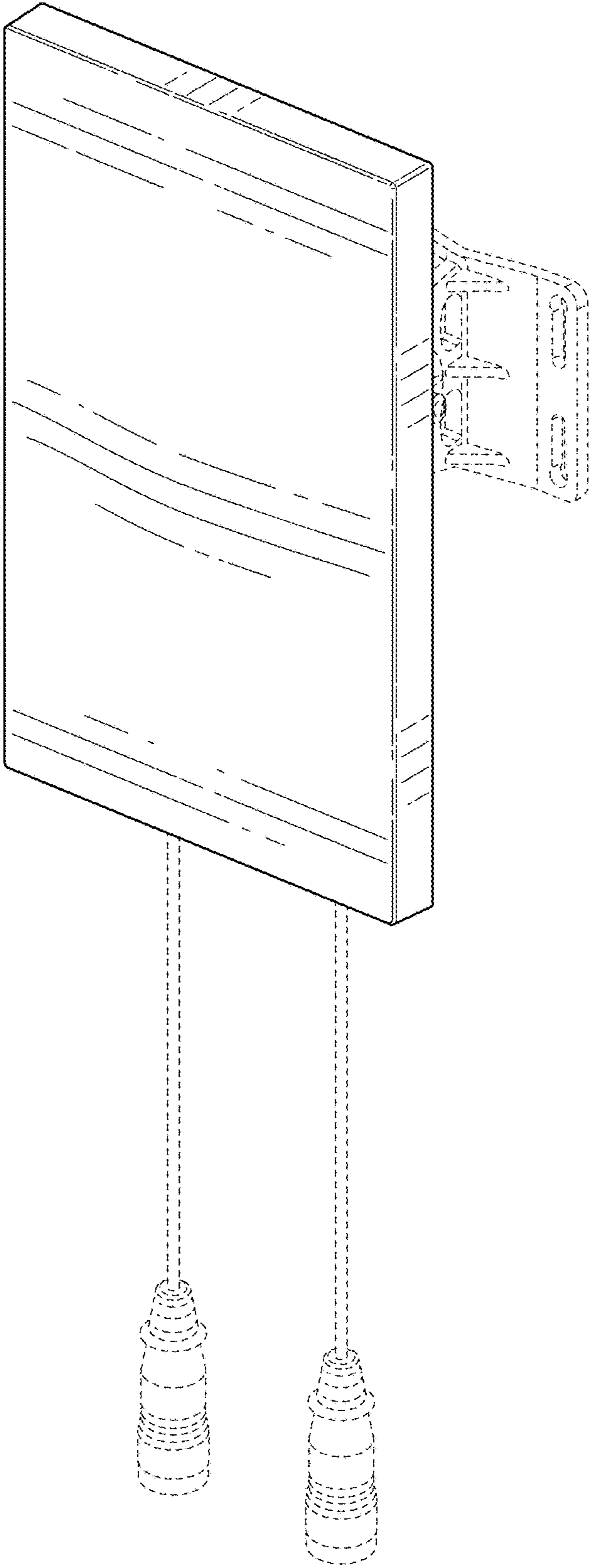


FIG . 1

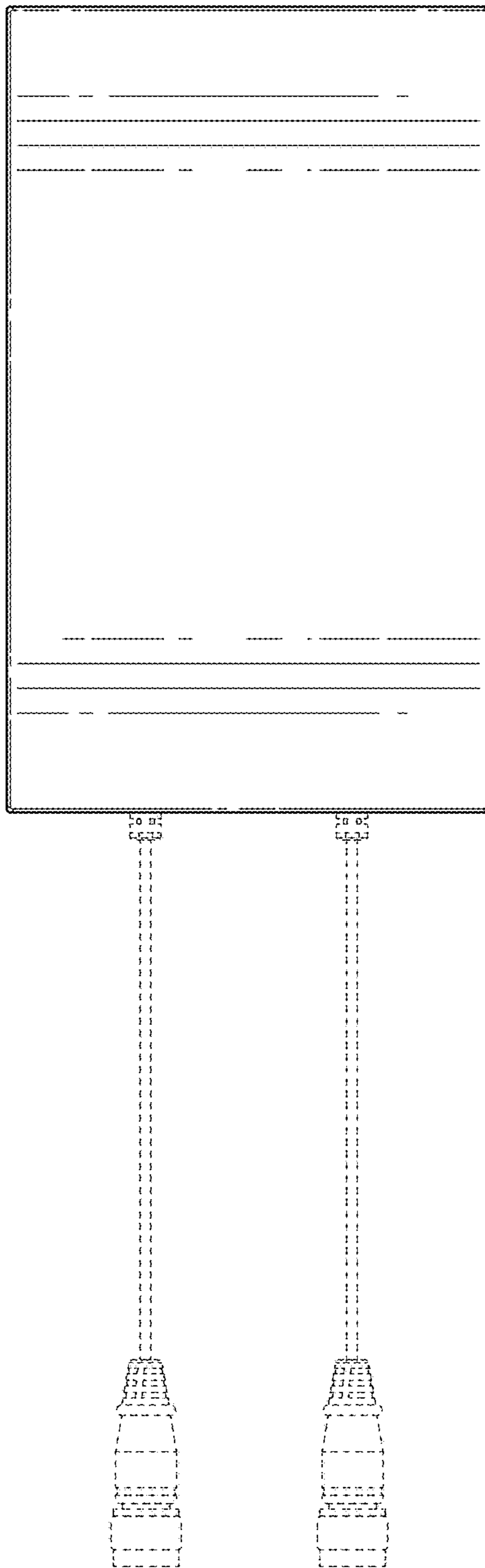


FIG . 2

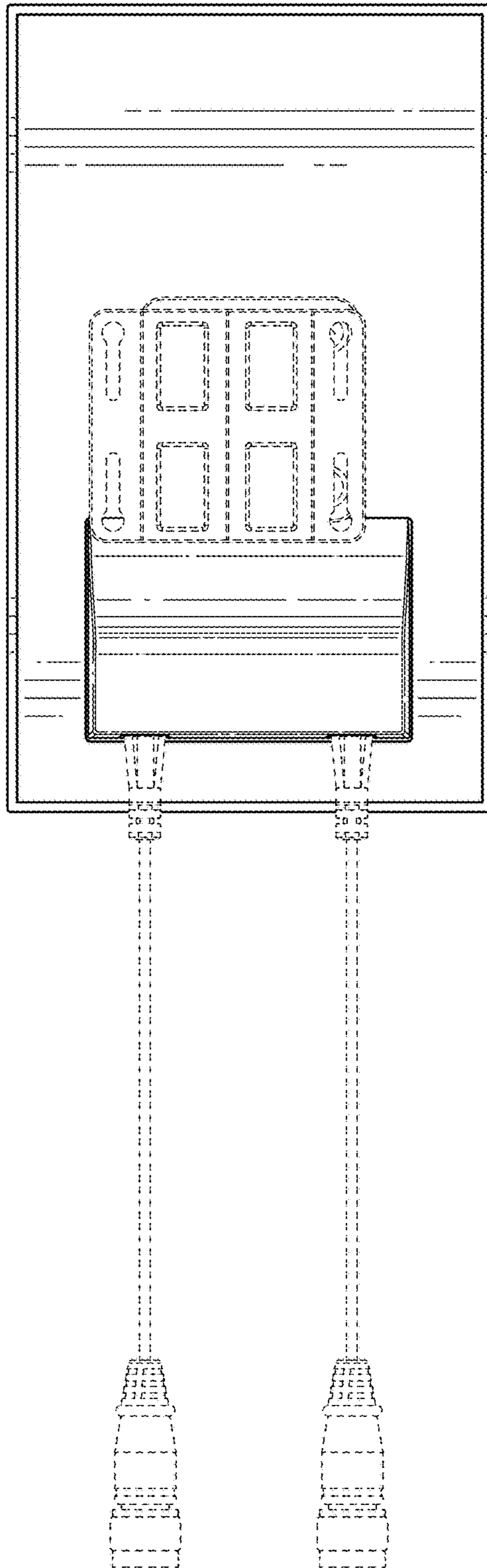


FIG . 3

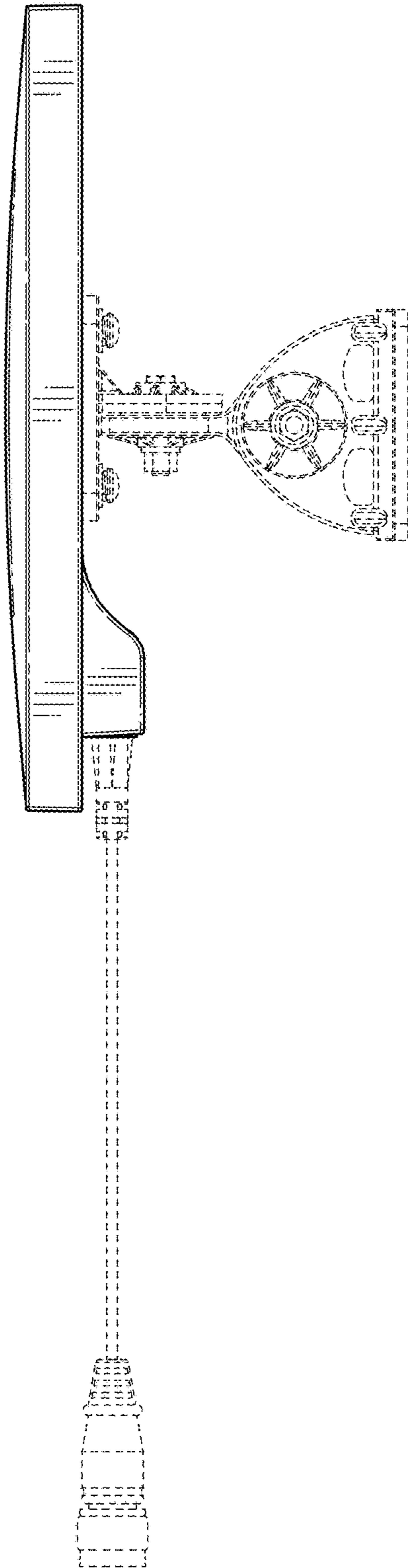


FIG . 4

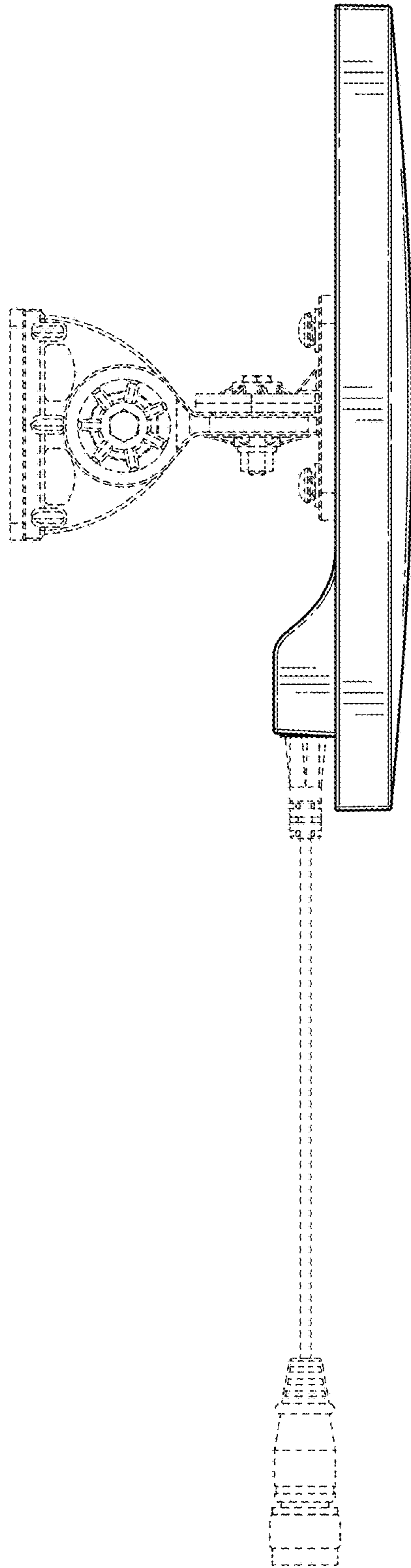


FIG . 5

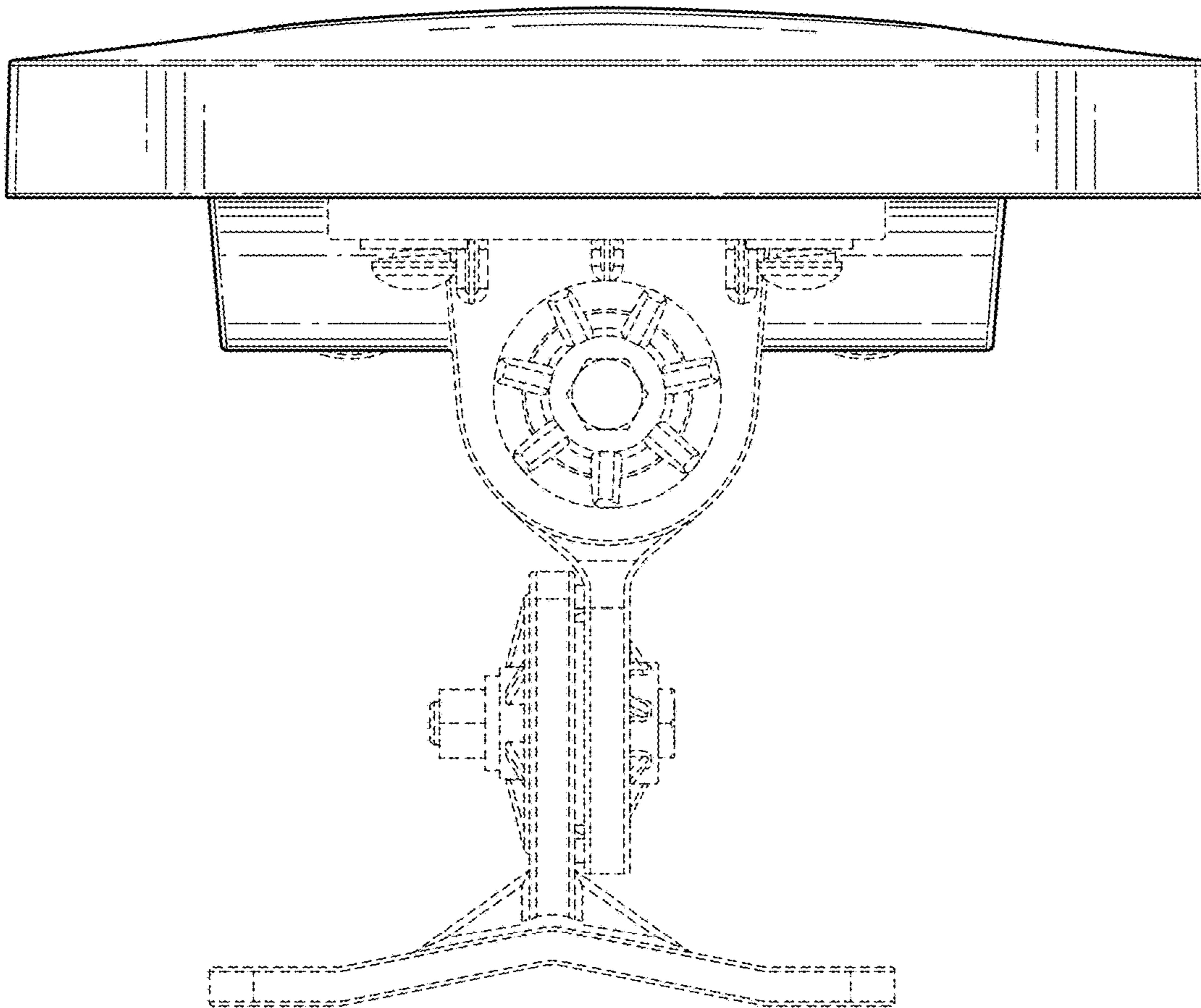


FIG . 6

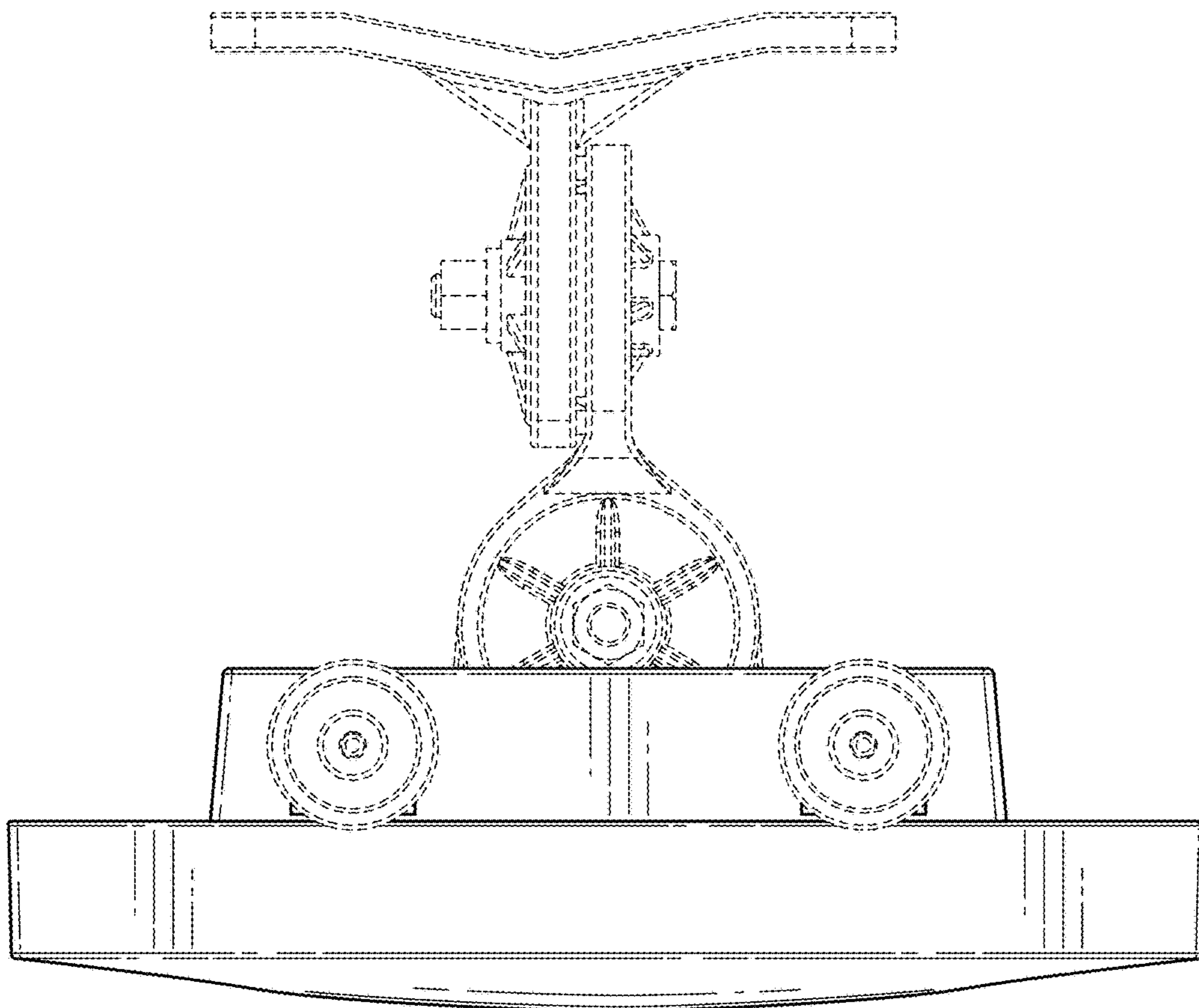


FIG . 7

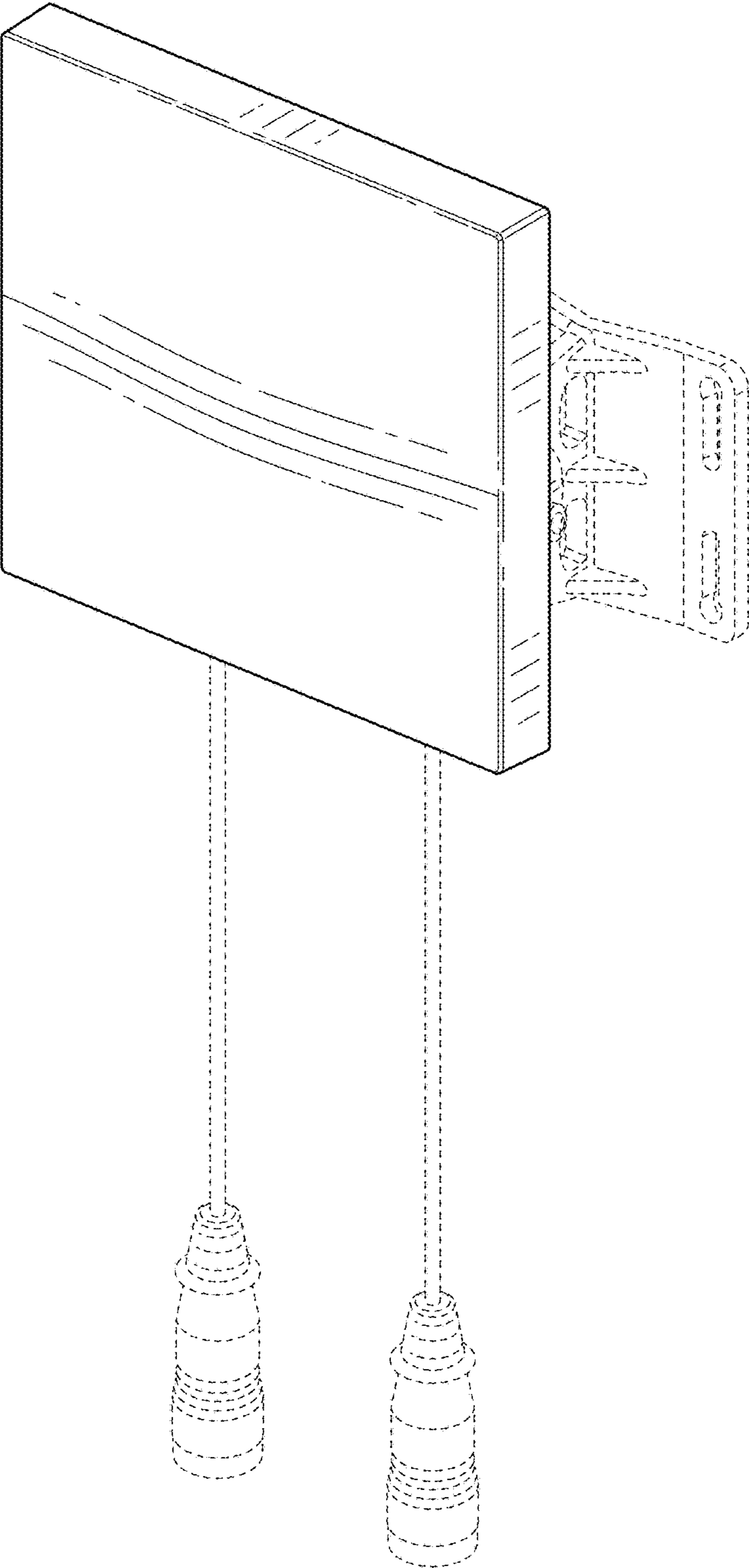


FIG . 8

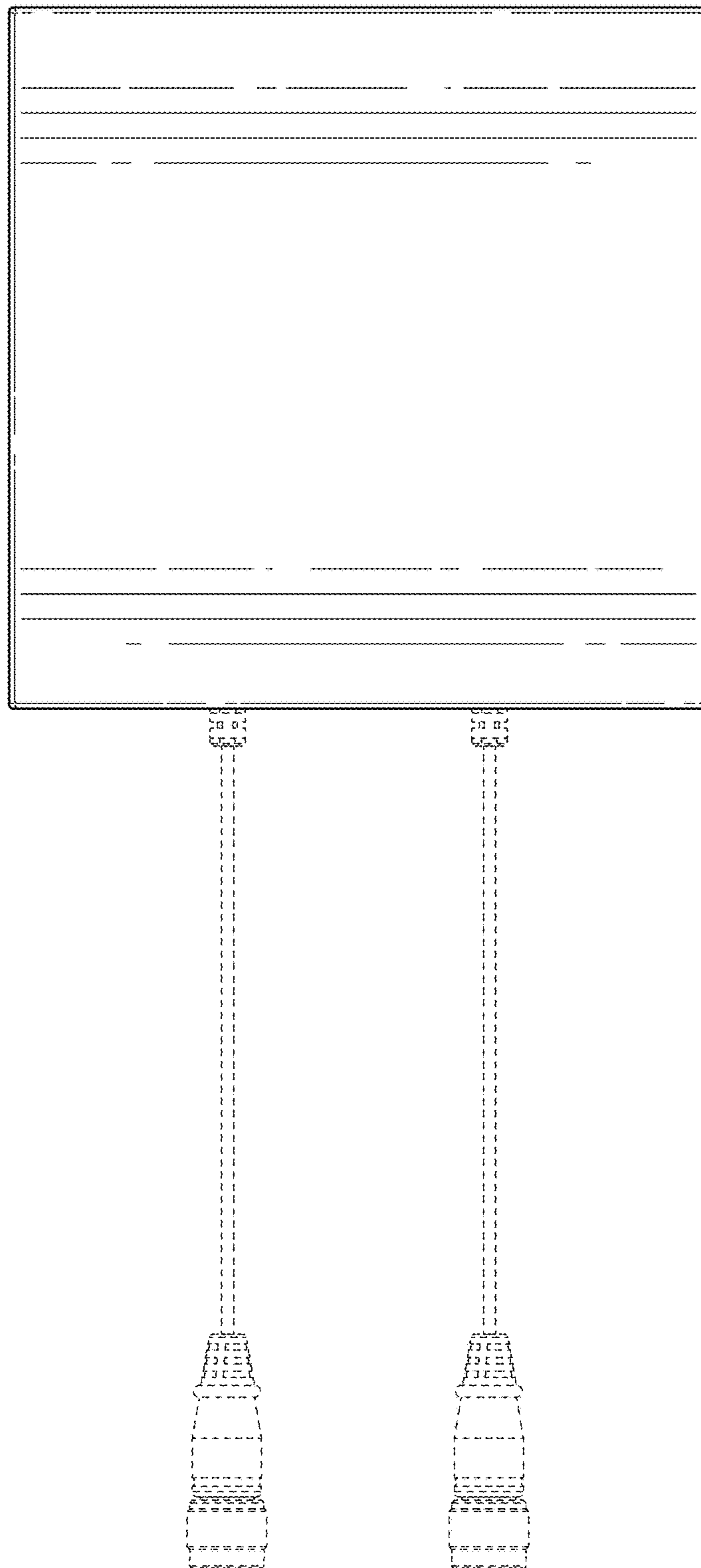


FIG . 9

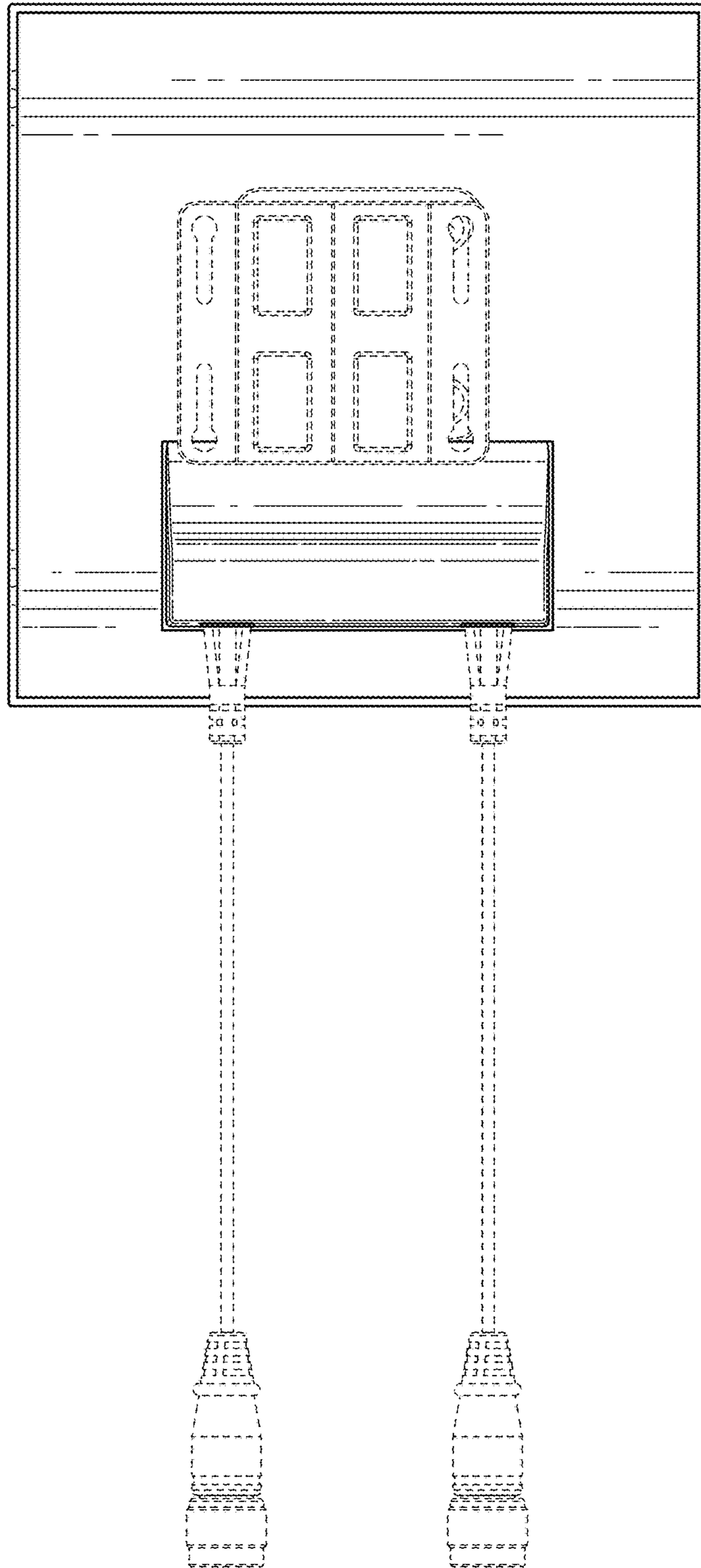


FIG . 10

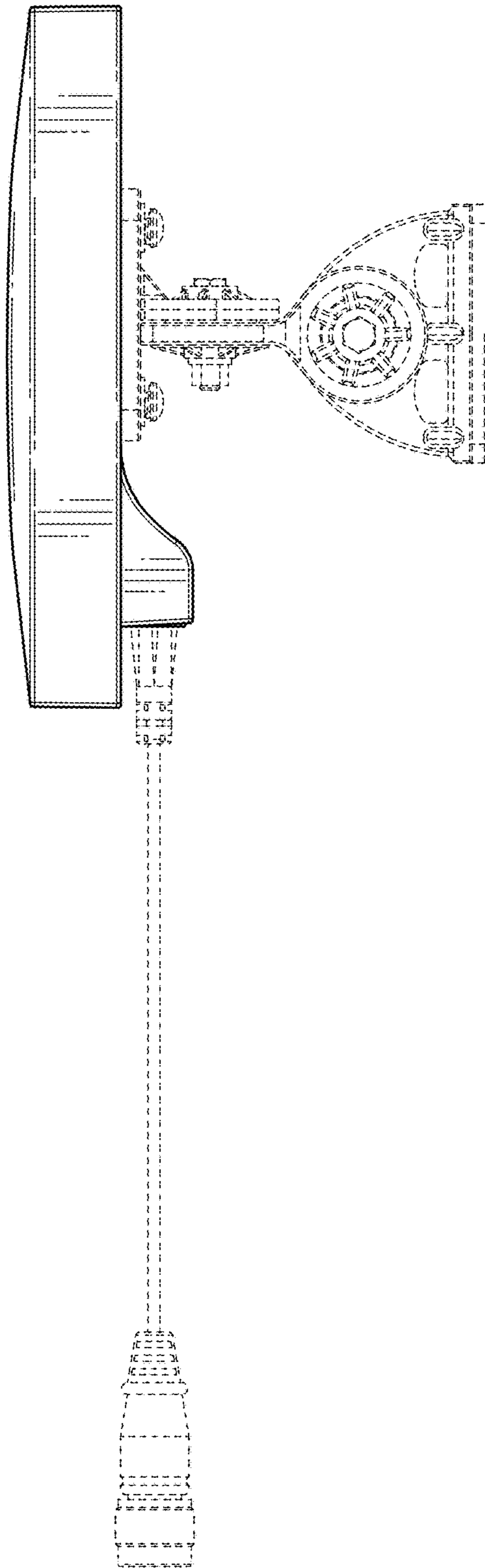


FIG . 11

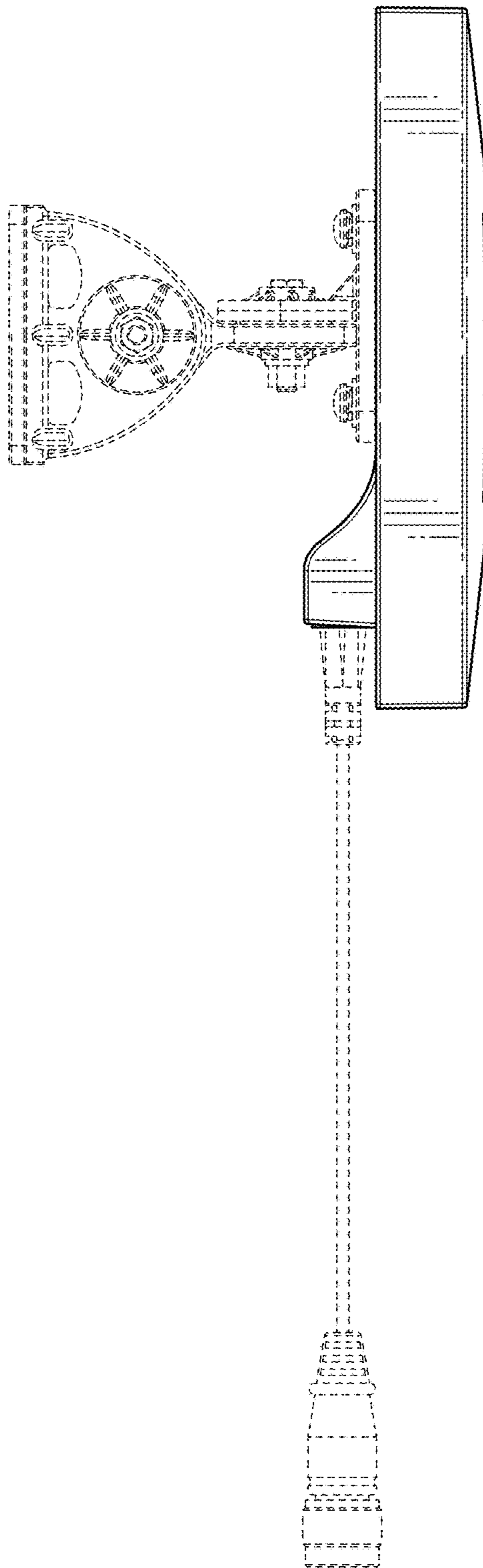


FIG . 12

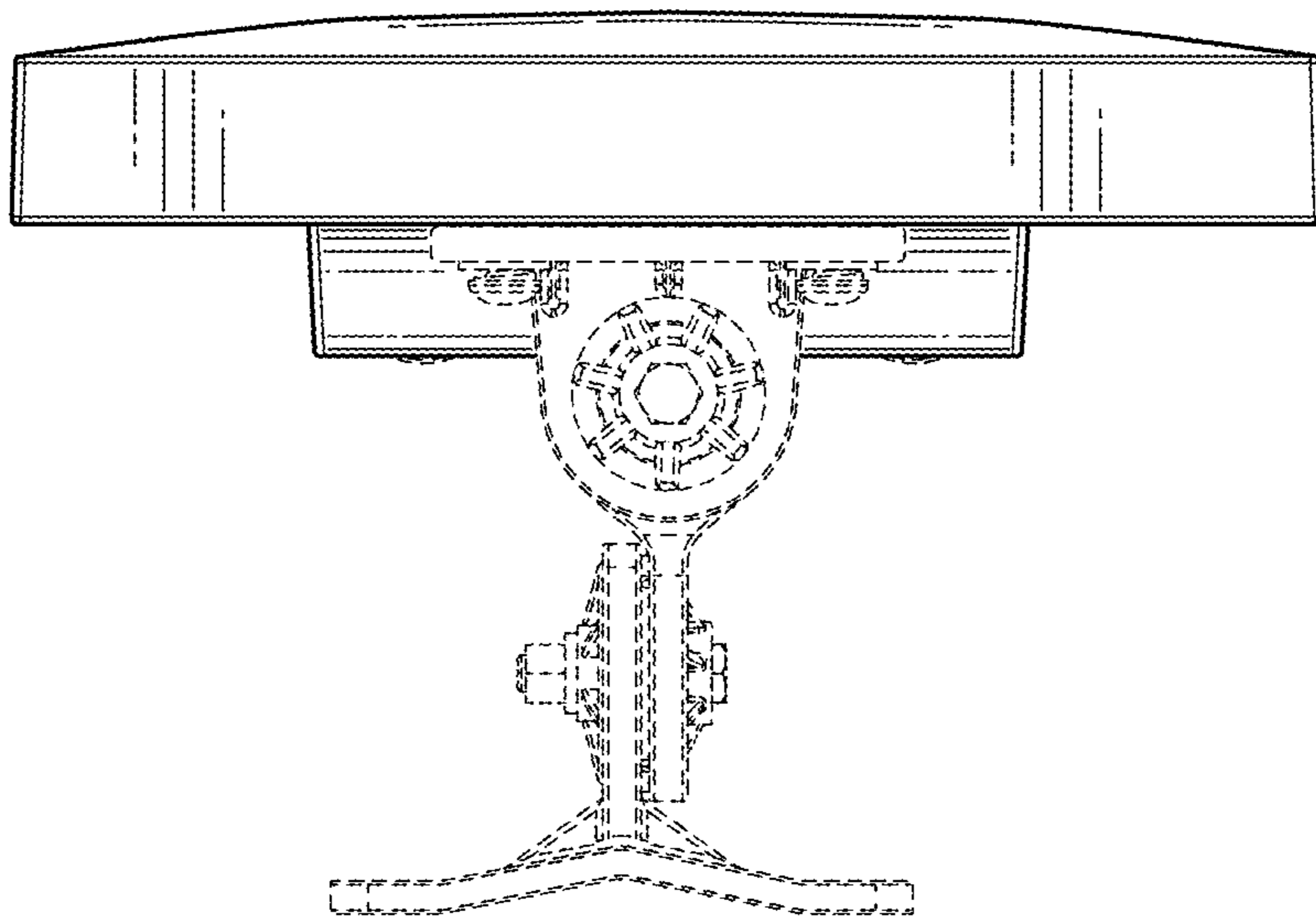


FIG . 13

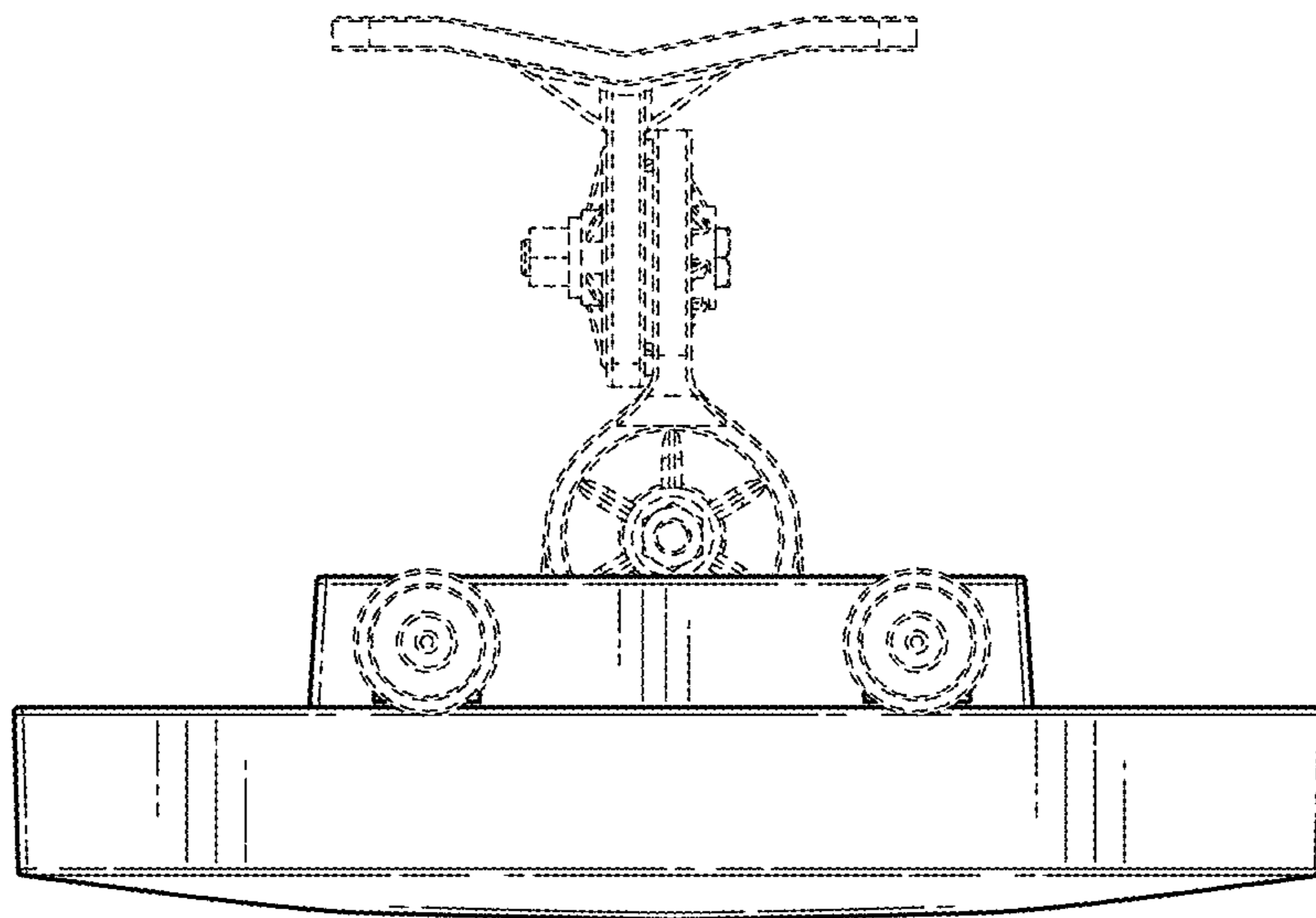


FIG . 14