



US00D840977S

(12) **United States Design Patent**
Pu

(10) **Patent No.:** **US D840,977 S**

(45) **Date of Patent:** **** Feb. 19, 2019**

(54) **HEADSET**

(71) Applicants: **Guizhou Laccess Technology Industry Ltd.**, Guizhou (CN); **Dongguan Laccess Electronic Technology Ltd.**, Dongguan (CN)

(72) Inventor: **Cheng-Gang Pu**, Dongguan (CN)

(**) Term: **15 Years**

(21) Appl. No.: **29/613,214**

(22) Filed: **Aug. 8, 2017**

(30) **Foreign Application Priority Data**

May 12, 2017 (CN) 2017 3 0175305

(51) **LOC (11) Cl.** **14-01**

(52) **U.S. Cl.**
USPC **D14/206**

(58) **Field of Classification Search**
USPC D14/206, 205, 225, 226, 188, 192, 371;
D29/112; 2/209; 181/129, 130, 135;
379/430, 431; 381/380, 381, 370, 374,
381/375, 376-379, 385; 455/90, 3, 575.1,
455/569.1

CPC H04R 1/1066; H04R 1/1016; H04R 5/033;
H04R 25/00

See application file for complete search history.

(56) **References Cited**

U.S. PATENT DOCUMENTS

D226,273 S *	2/1973	Tyson et al.	D14/206
D301,145 S *	5/1989	Besasio	D14/205
D369,604 S *	5/1996	Morimiya	D14/205
6,449,806 B1 *	9/2002	Engelhard	H04M 1/05 2/209
D491,163 S *	6/2004	Green	D14/205
D518,479 S *	4/2006	Skulley	D14/225

D538,261 S *	3/2007	Taylor	D14/205
7,388,960 B2 *	6/2008	Kuo	H04R 1/1041 379/430
D576,604 S *	9/2008	Suzuki	D14/205
D583,800 S *	12/2008	Jaakkola	D14/205
D589,492 S *	3/2009	Mistry	D14/205
D592,640 S *	5/2009	Tkachuk	D14/205
D594,847 S *	6/2009	Suzuki	D14/205
D616,865 S *	6/2010	Marchand	D14/205
D638,397 S *	5/2011	McManigal	D14/205
D656,480 S *	3/2012	McManigal	D14/205
D665,775 S *	8/2012	Katsumata	D14/205
D666,579 S *	9/2012	Hou	D14/205
8,325,962 B2 *	12/2012	Ishida	H04R 5/0335 381/370
D691,111 S *	10/2013	Lee	D14/206
D699,216 S *	2/2014	Bonahoom	D14/205
D705,750 S *	5/2014	Wu	H04R 1/1066 D14/205
D716,762 S *	11/2014	Greve	D14/206
D721,053 S *	1/2015	Fujioka	D14/205
D722,591 S *	2/2015	Son	D14/205
D734,297 S *	7/2015	Sasaki	D14/205
D734,745 S *	7/2015	Tatkon-Coker	D14/225
D746,793 S *	1/2016	Logan	D14/206

(Continued)

Primary Examiner — Paula Allen Greene

(74) *Attorney, Agent, or Firm* — Prakash Nama; Global IP Services, PLLC

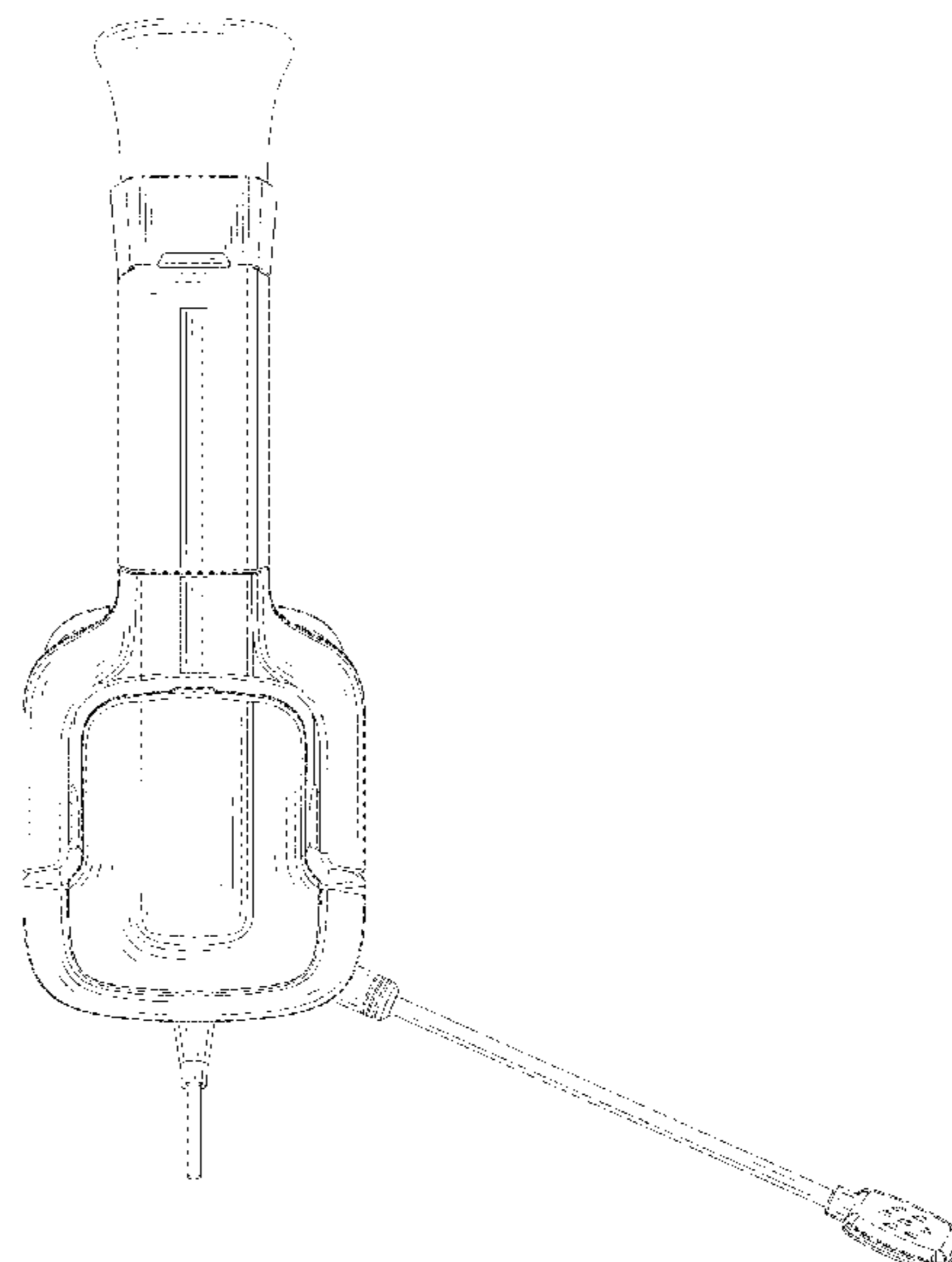
(57) **CLAIM**

The ornamental design for headset, as shown and described.

DESCRIPTION

FIG. 1 is a front elevational view thereof;
FIG. 2 is a rear elevational view thereof;
FIG. 3 is a left side elevational view thereof;
FIG. 4 is a right side elevational view thereof;
FIG. 5 is a top elevational view thereof; and,
FIG. 6 is a bottom elevational view thereof.

1 Claim, 6 Drawing Sheets



(56)

References Cited

U.S. PATENT DOCUMENTS

D761,761	S *	7/2016	Ando	D14/205
D787,469	S *	5/2017	Djohar	D14/205
D787,470	S *	5/2017	Kelly	D14/205
D790,506	S *	6/2017	Broadley	D14/206
D792,376	S *	7/2017	Morimoto	D14/205
D793,359	S *	8/2017	Katopis	D14/205
D794,601	S *	8/2017	Riggs	D14/205
D796,471	S *	9/2017	Warren	D14/204
D796,478	S *	9/2017	Minn	D14/205
D800,691	S *	10/2017	Ando	D14/205
D814,439	S *	4/2018	Birath	D14/205
D815,614	S *	4/2018	Tzeng	D14/205
D816,061	S *	4/2018	Ando	D14/205
D823,278	S *	7/2018	Ito	D14/205
2005/0238189	A1 *	10/2005	Tsai	H04R 1/1075 381/309
2010/0040252	A1 *	2/2010	Thompson	H04R 1/083 381/375
2010/0310093	A1 *	12/2010	Semcken	H04R 1/1058 381/104
2013/0319788	A1 *	12/2013	Franzen	A61F 11/14 181/129
2016/0286019	A1 *	9/2016	Broadley	H04M 1/6058

* cited by examiner



FIG. 1

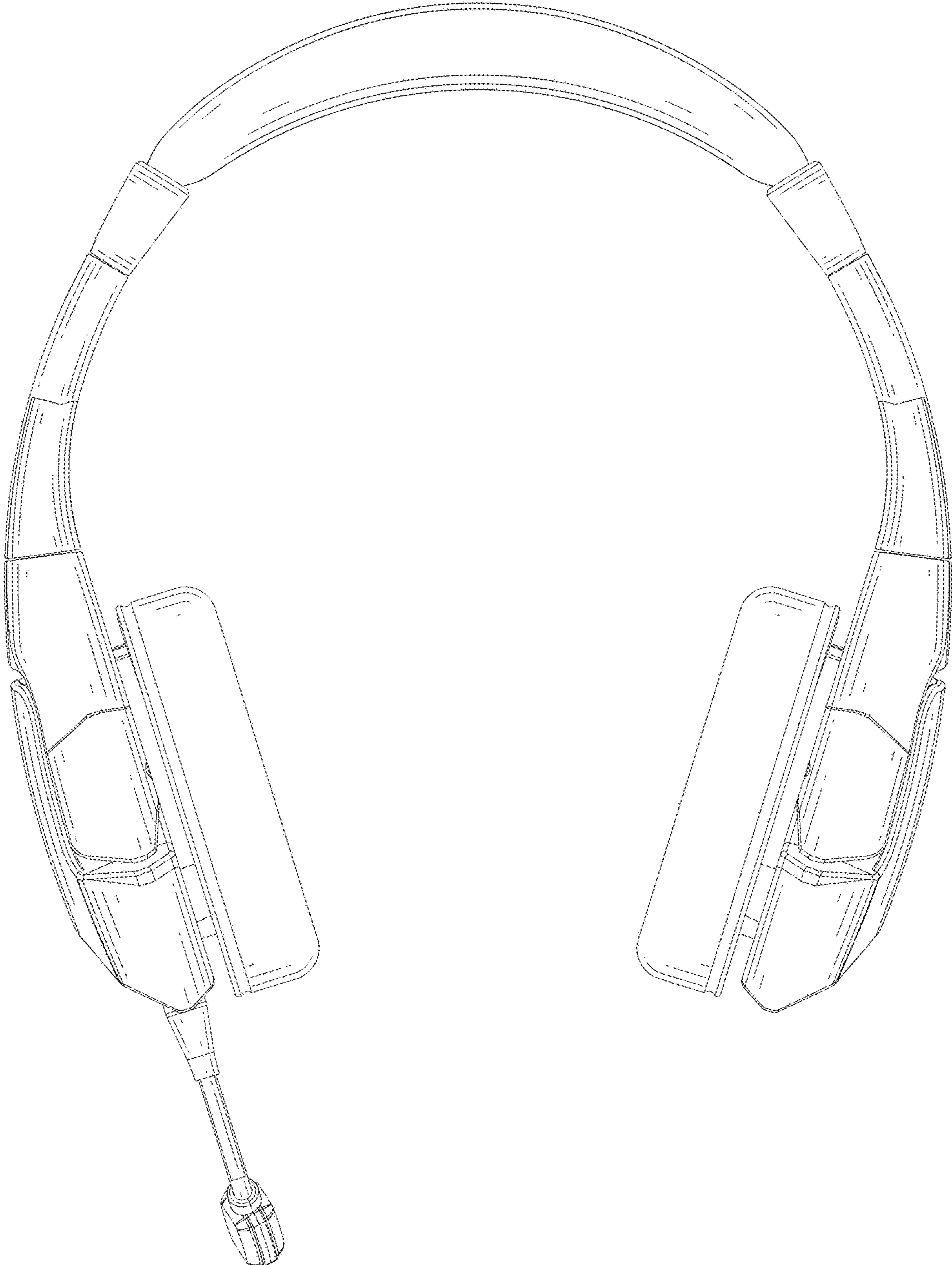


FIG. 2

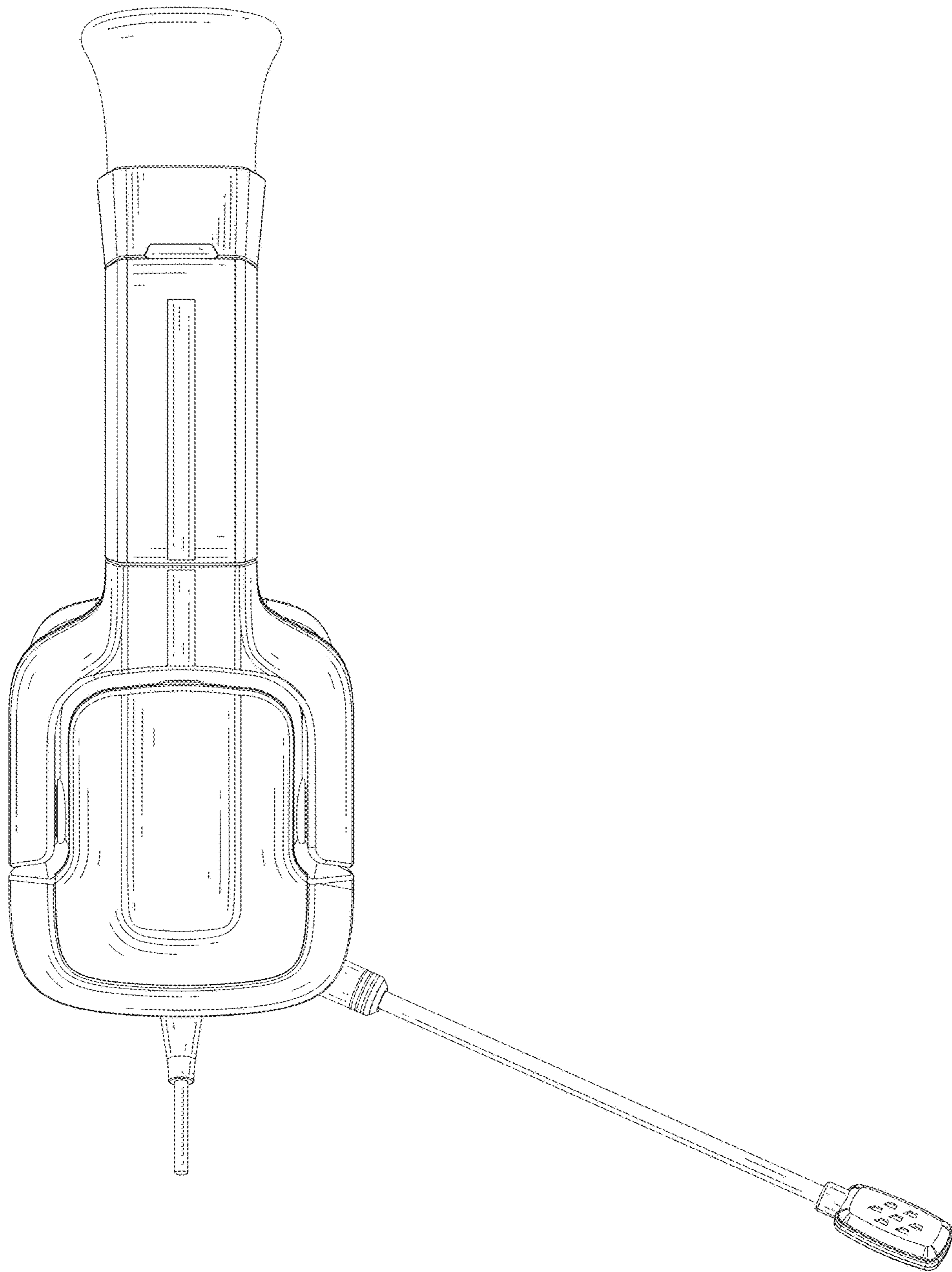


FIG. 3

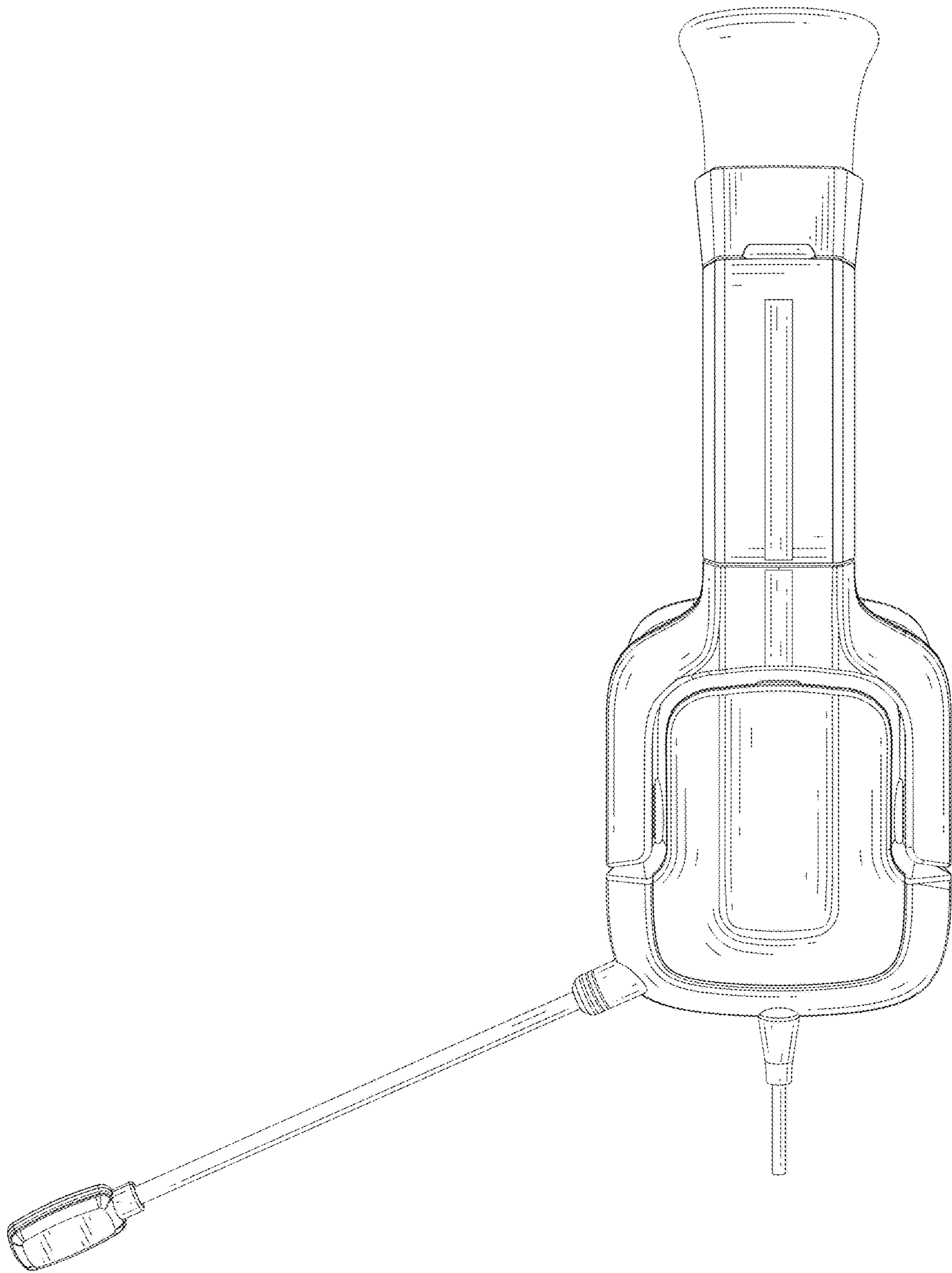


FIG. 4

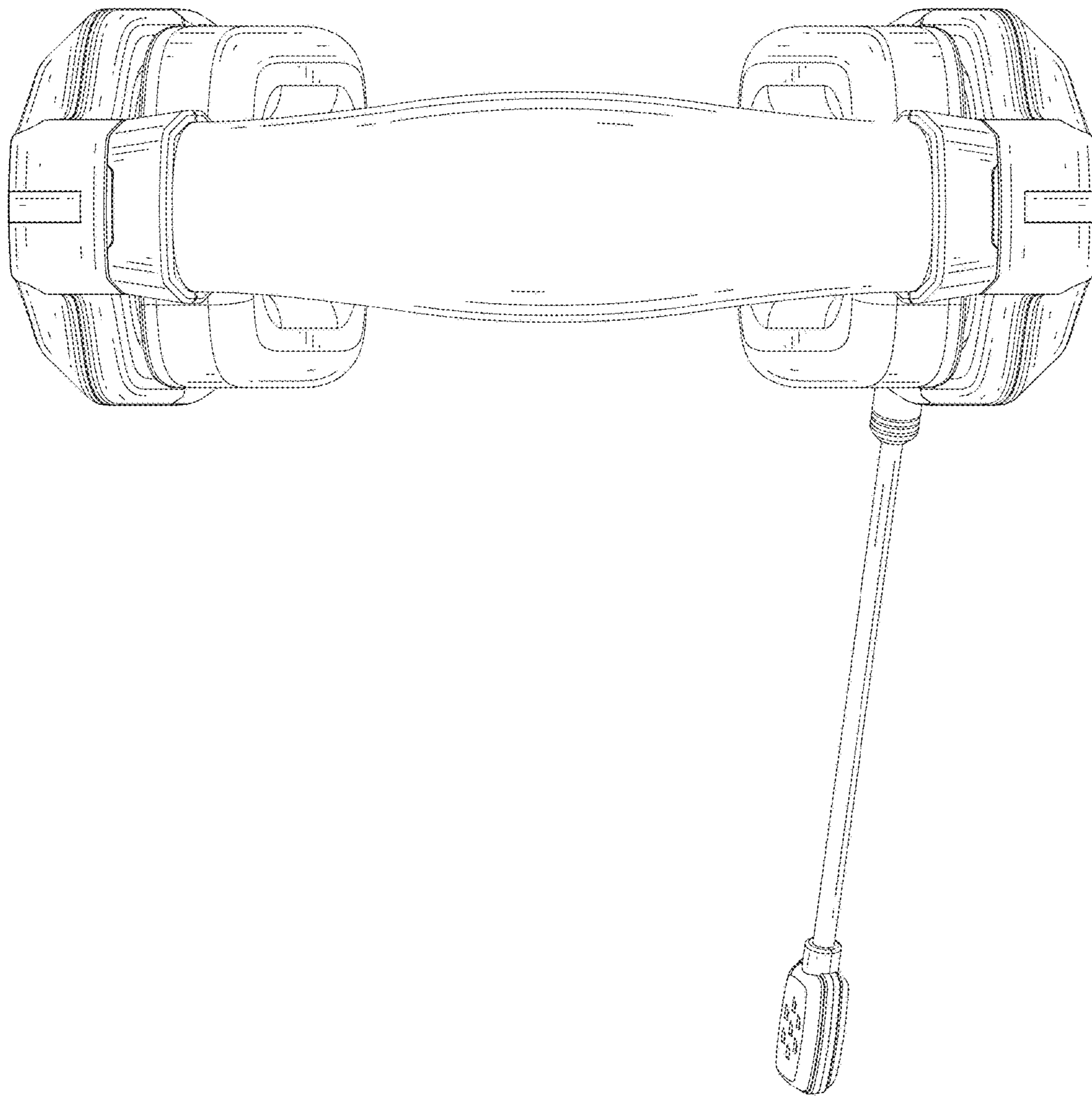


FIG. 5

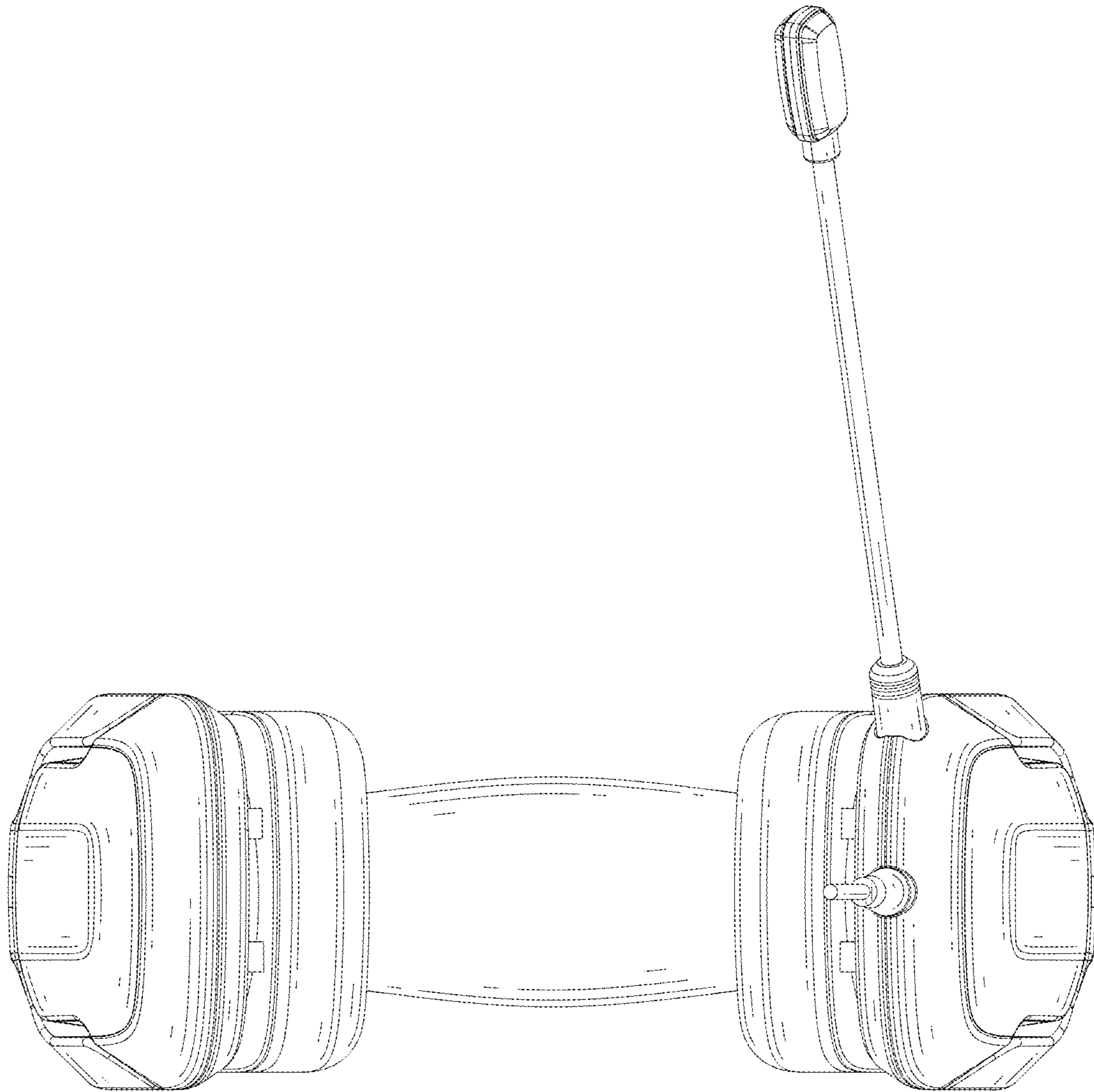


FIG. 6