

US00D840976S

(12) **United States Design Patent**  
**Murdock et al.**

(10) **Patent No.:** **US D840,976 S**

(45) **Date of Patent:** **\*\* Feb. 19, 2019**

(54) **SET OF EAR HOOKS**

- (71) Applicant: **Zagg Amplified, Inc.**, Midvale, UT (US)
- (72) Inventors: **Robert Murdock**, Lindon, UT (US);  
**John Craig Cheney**, Orem, UT (US)
- (73) Assignee: **ZAGG Amplified, Inc.**, Midvale, UT (US)

(\*\*) Term: **15 Years**

(21) Appl. No.: **29/550,366**

(22) Filed: **Jan. 3, 2016**

(51) **LOC (11) Cl.** ..... **14-01**

(52) **U.S. Cl.**  
USPC ..... **D14/206**

(58) **Field of Classification Search**  
USPC ..... D14/205–206, 223, 225, 372, 433;  
D29/112; D24/173–174  
CPC ..... H04R 1/10; H04R 1/1016; H04R 1/1066;  
H04R 1/105; H04R 1/1033; H04R 1/08;  
H04R 5/033; H04R 5/0335; H04R 25/00  
See application file for complete search history.

(56) **References Cited**

**U.S. PATENT DOCUMENTS**

|              |         |          |       |         |
|--------------|---------|----------|-------|---------|
| D515,069 S * | 2/2006  | Naito    | ..... | D14/205 |
| D603,847 S * | 11/2009 | Chung    | ..... | D14/223 |
| D617,780 S * | 6/2010  | Jaakkola | ..... | D14/223 |
| D635,960 S * | 4/2011  | Gondo    | ..... | D14/223 |
| D662,913 S * | 7/2012  | Birger   | ..... | D14/206 |
| D690,681 S * | 10/2013 | Ito      | ..... | D14/205 |
| D695,275 S * | 12/2013 | Chee     | ..... | D14/223 |
| D695,719 S * | 12/2013 | Burgett  | ..... | D14/223 |
| D699,213 S * | 2/2014  | Burgett  | ..... | D14/205 |
| D712,382 S * | 9/2014  | Brunner  | ..... | D14/223 |
| D713,385 S * | 9/2014  | Burgett  | ..... | D14/223 |
| D718,283 S * | 11/2014 | Thompson | ..... | D14/223 |
| D745,862 S * | 12/2015 | Otani    | ..... | D14/223 |
| D751,528 S * | 3/2016  | Liu      | ..... | D14/205 |

(Continued)

**OTHER PUBLICATIONS**

Braven Flye Sport Reflect Bluetooth Earbuds—Black, posted at Amazon.com, posted on Jul. 3, 2017, site visited Jul. 5, 2017, <[https://www.amazon.com/Braven-Sport-Reflect-Bluetooth-Earbuds/dp/B072F2RJCB/ref=sr\\_1\\_2?s=wireless&ie=UTF8&qid=1499290301&sr=1-2&keywords=braven+earbuds](https://www.amazon.com/Braven-Sport-Reflect-Bluetooth-Earbuds/dp/B072F2RJCB/ref=sr_1_2?s=wireless&ie=UTF8&qid=1499290301&sr=1-2&keywords=braven+earbuds)>.\*

(Continued)

*Primary Examiner* — Barbara Fox

*Assistant Examiner* — Messina L Smith

(74) *Attorney, Agent, or Firm* — Durham Jones & Pinegar; Sarah W. Matthews

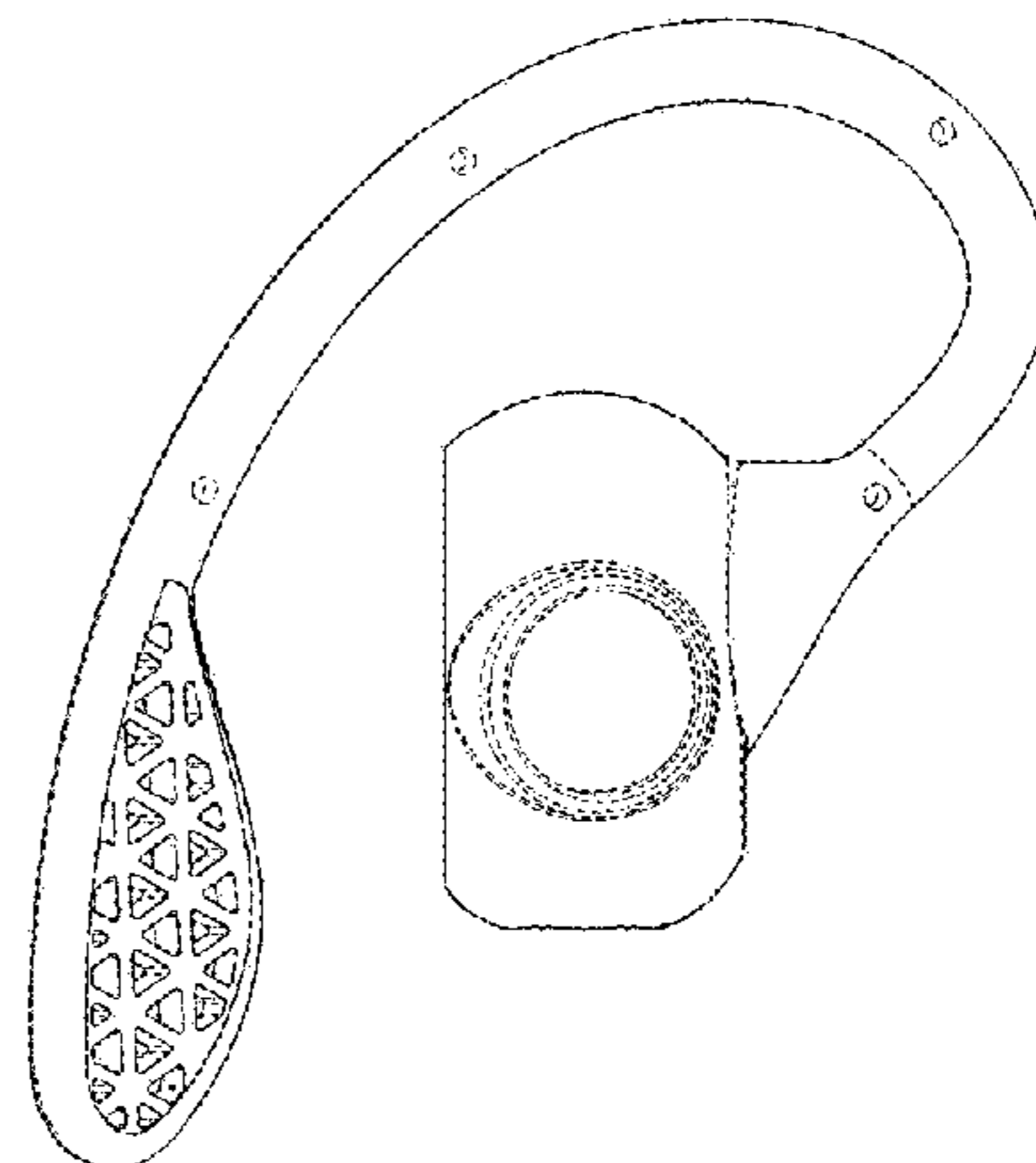
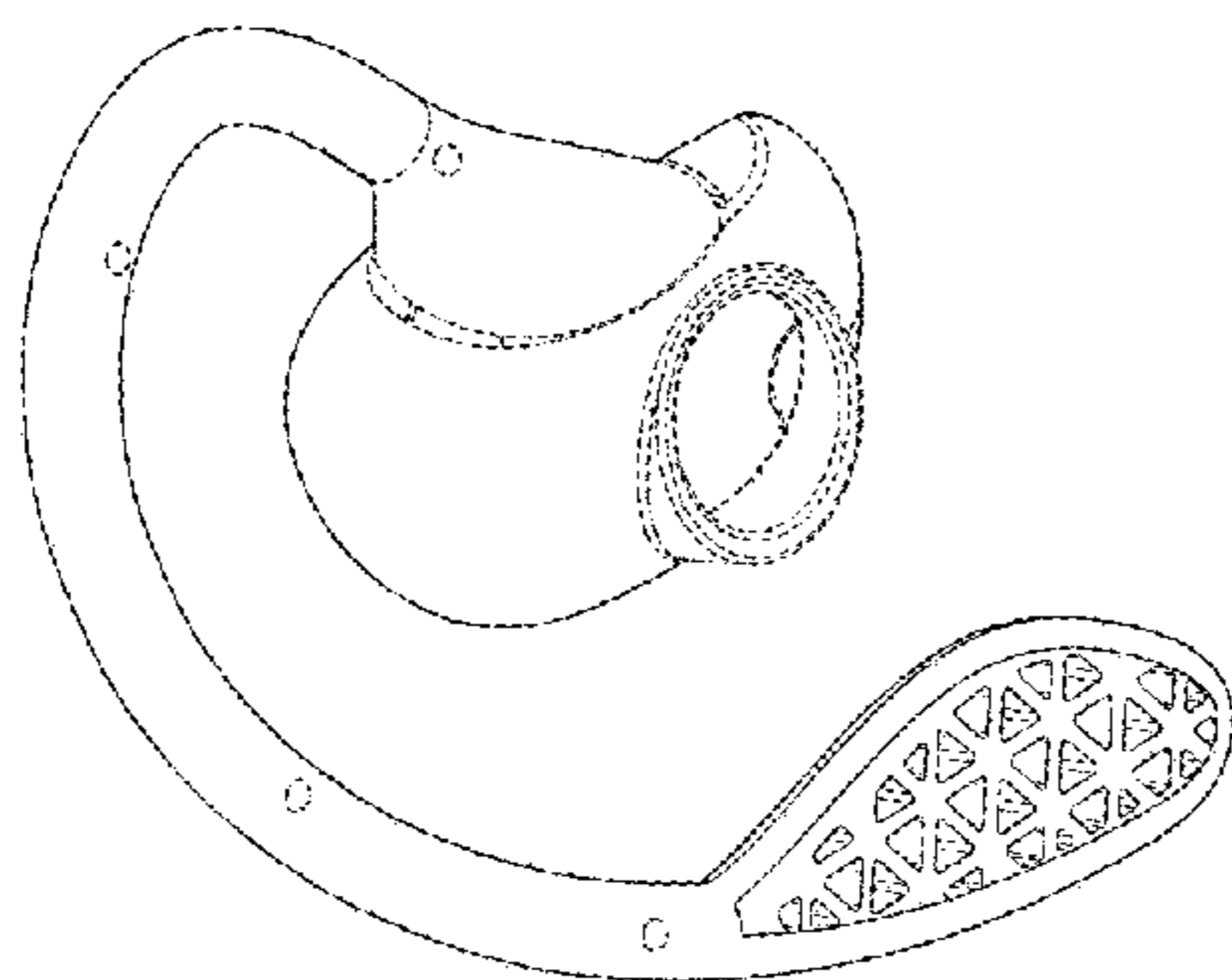
(57) **CLAIM**

The ornamental design for ear hooks and earphones, as shown and described.

**DESCRIPTION**

FIG. 1 is a front perspective view of the left ear hook of a set of ear hooks, shown separately from the right ear hook, showing the new design;  
 FIG. 2 is a front view thereof;  
 FIG. 3 is a rear view thereof;  
 FIG. 4 is a left side view thereof;  
 FIG. 5 is a right side view thereof;  
 FIG. 6 is a top view thereof;  
 FIG. 7 is a bottom view thereof;  
 FIG. 8 is a front perspective view of the right ear hook of the set of ear hooks, shown separately from the left ear hook;  
 FIG. 9 is a front view thereof;  
 FIG. 10 is a rear view thereof;  
 FIG. 11 is a left side view thereof;  
 FIG. 12 is a right side view thereof;  
 FIG. 13 is a top view thereof; and,  
 FIG. 14 is a bottom view thereof.  
 The broken lines in the drawings depict elements of the set of ear hooks that form no part of the claimed design.

**1 Claim, 5 Drawing Sheets**



(56)

**References Cited**

## U.S. PATENT DOCUMENTS

|              |      |         |           |       |                      |
|--------------|------|---------|-----------|-------|----------------------|
| 9,319,769    | B2 * | 4/2016  | Burgett   | ..... | H04R 1/105           |
| D761,770     | S *  | 7/2016  | Kanou     | ..... | D14/206              |
| D764,436     | S *  | 8/2016  | Dryden    | ..... | D14/205              |
| D769,220     | S *  | 10/2016 | Burgett   | ..... | D14/206              |
| D773,438     | S *  | 12/2016 | Walker    | ..... | D14/223              |
| D778,257     | S *  | 2/2017  | Hu        | ..... | D14/205              |
| D782,996     | S *  | 4/2017  | Zhu       | ..... | D14/205              |
| D784,961     | S *  | 4/2017  | Armstrong | ..... | D14/223              |
| 2014/0307891 | A1 * | 10/2014 | Burgett   | ..... | H04R 1/105<br>381/74 |

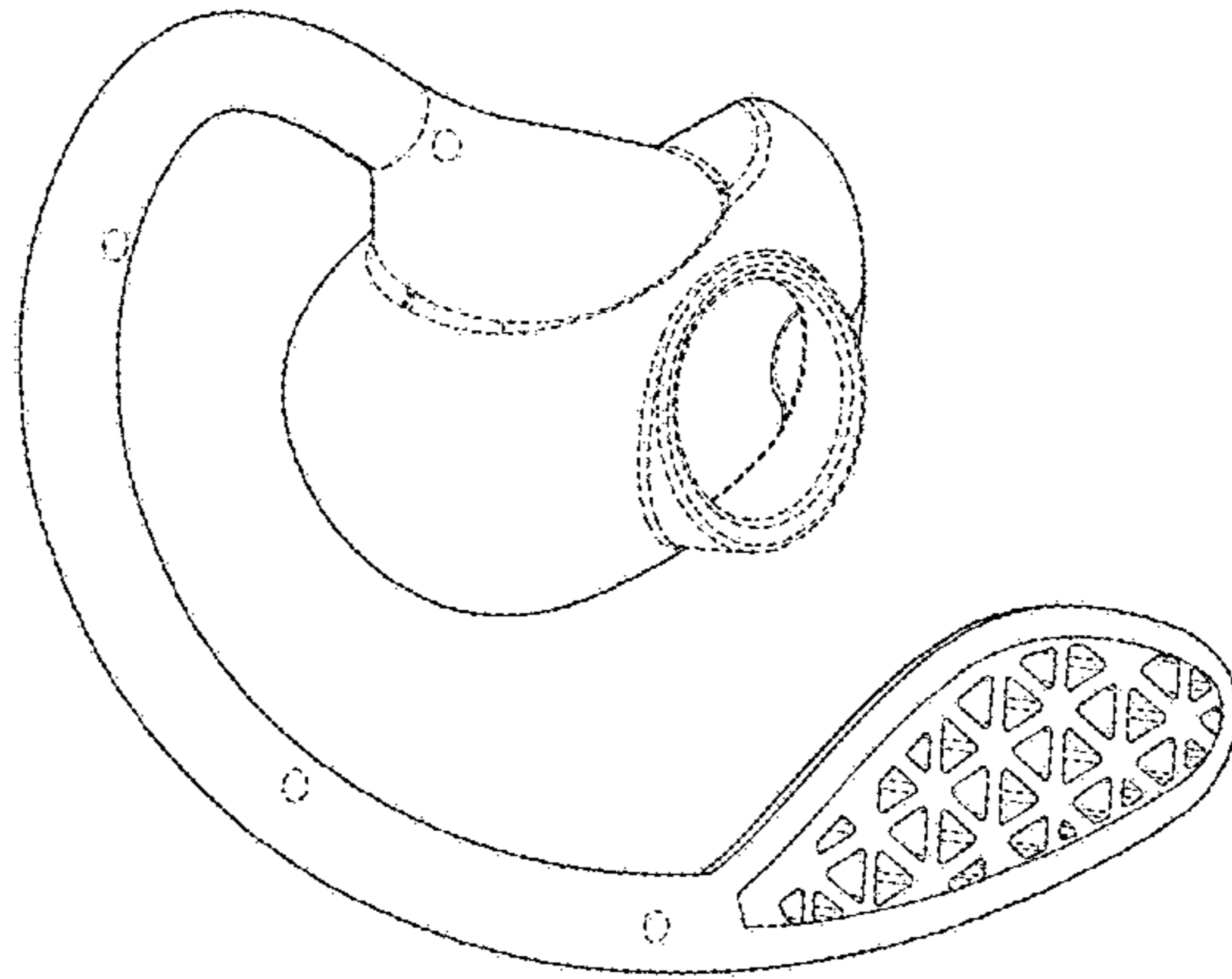
## OTHER PUBLICATIONS

Braven debuts Flye Sport range of performance-oriented Bluetooth headphones, posted at Androidguys.com, posted on Jan. 4, 2017, site visited Jul. 5, 2017, <<http://www.androidguys.com/2017/01/04/braven-debuts-flye-sport-range-of-performance-oriented-bluetooth-headphones/>>.\*

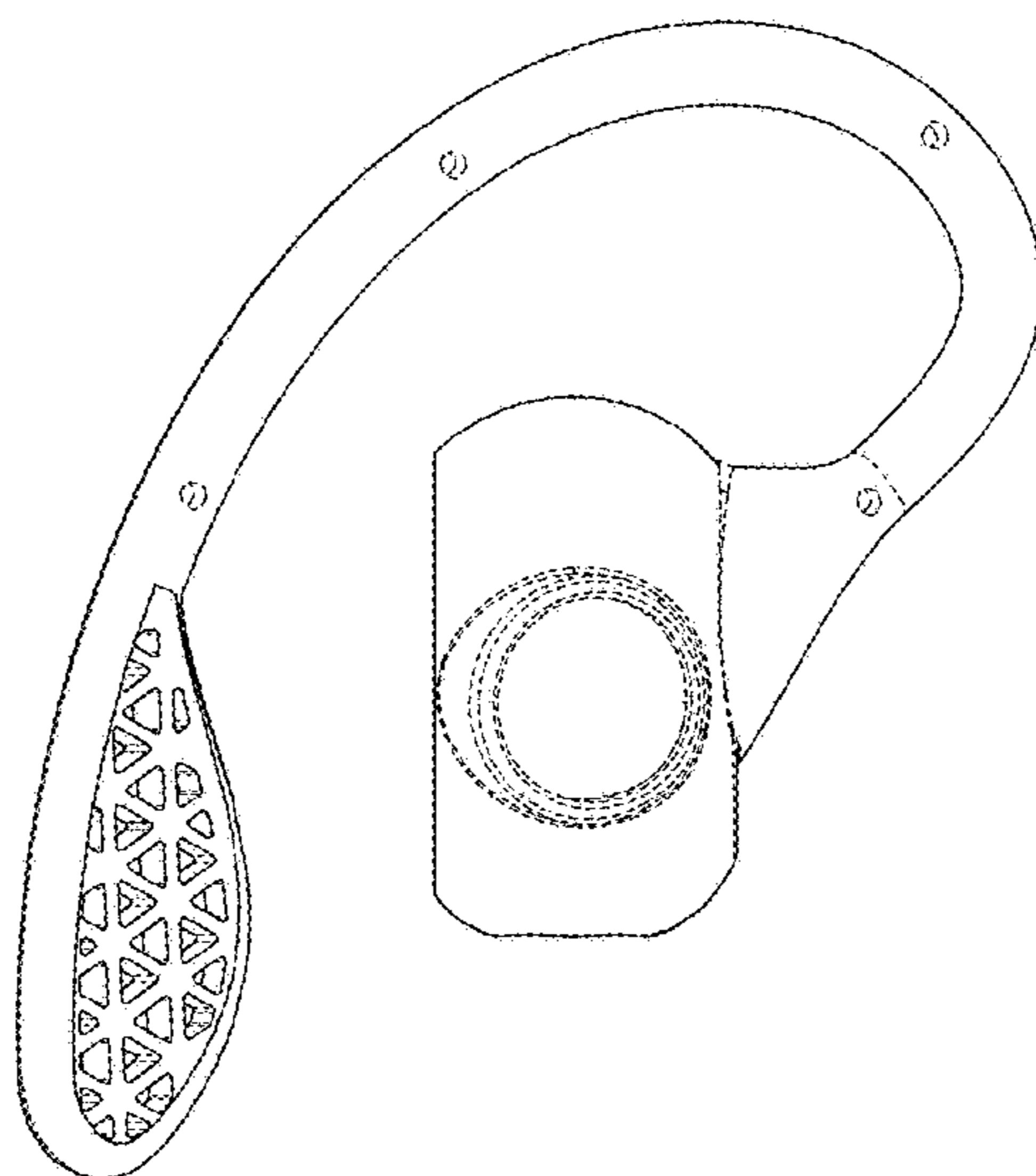
Plantronics BackBeat GO 2 Wireless Earbuds, printed from web Feb. 24, 2016, <http://www.plantronics.com/us/product/backbeat-go-2>.

Jaybird X Accessories, printed from web Feb. 24, 2016, <http://www.jaybirdsport.com/shop/>.

\* cited by examiner



**FIG. 1**



**FIG. 2**

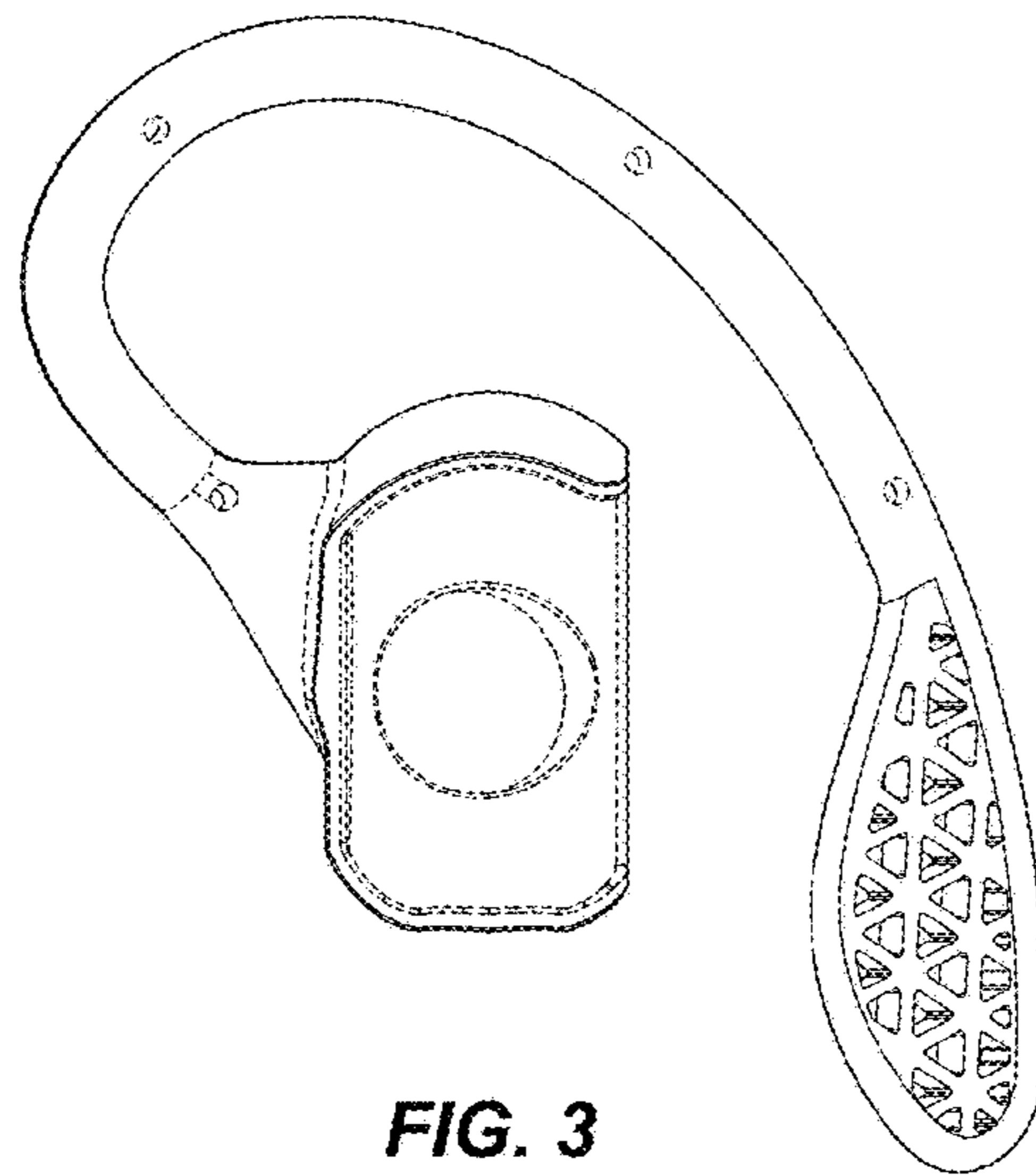


FIG. 3

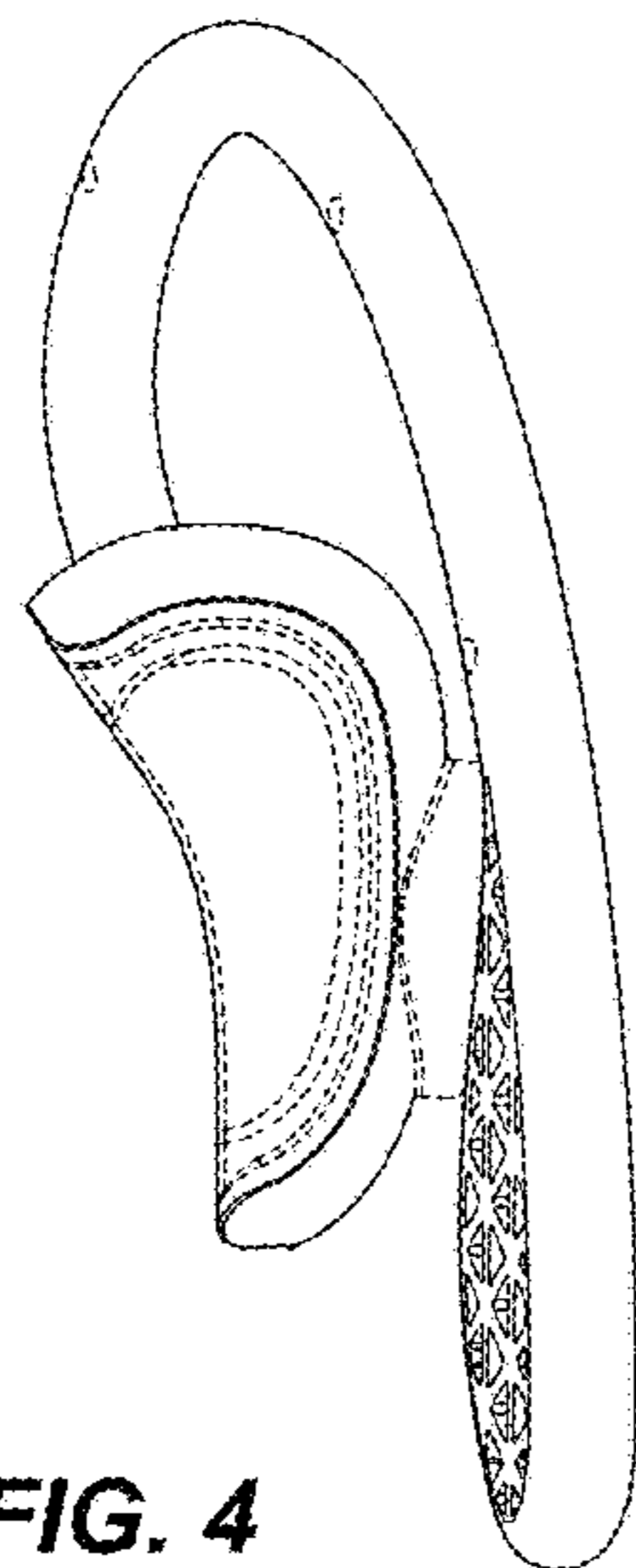


FIG. 4

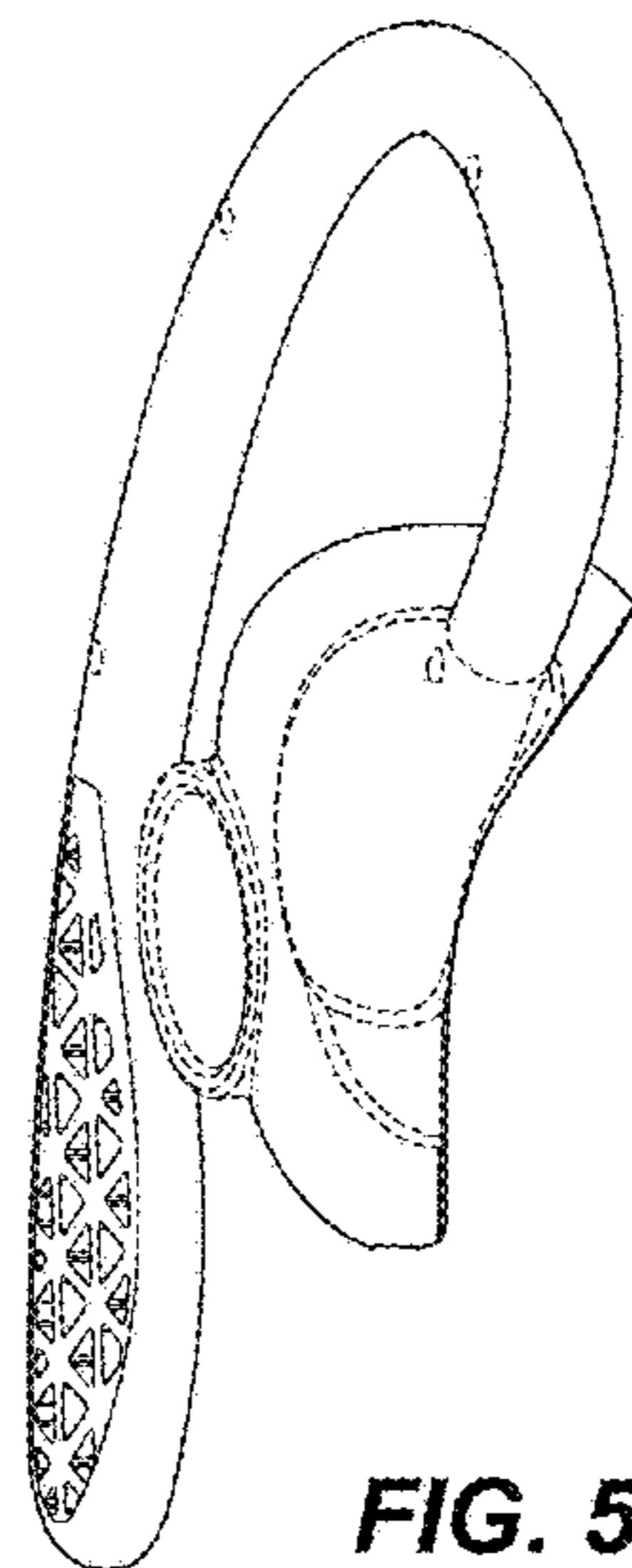
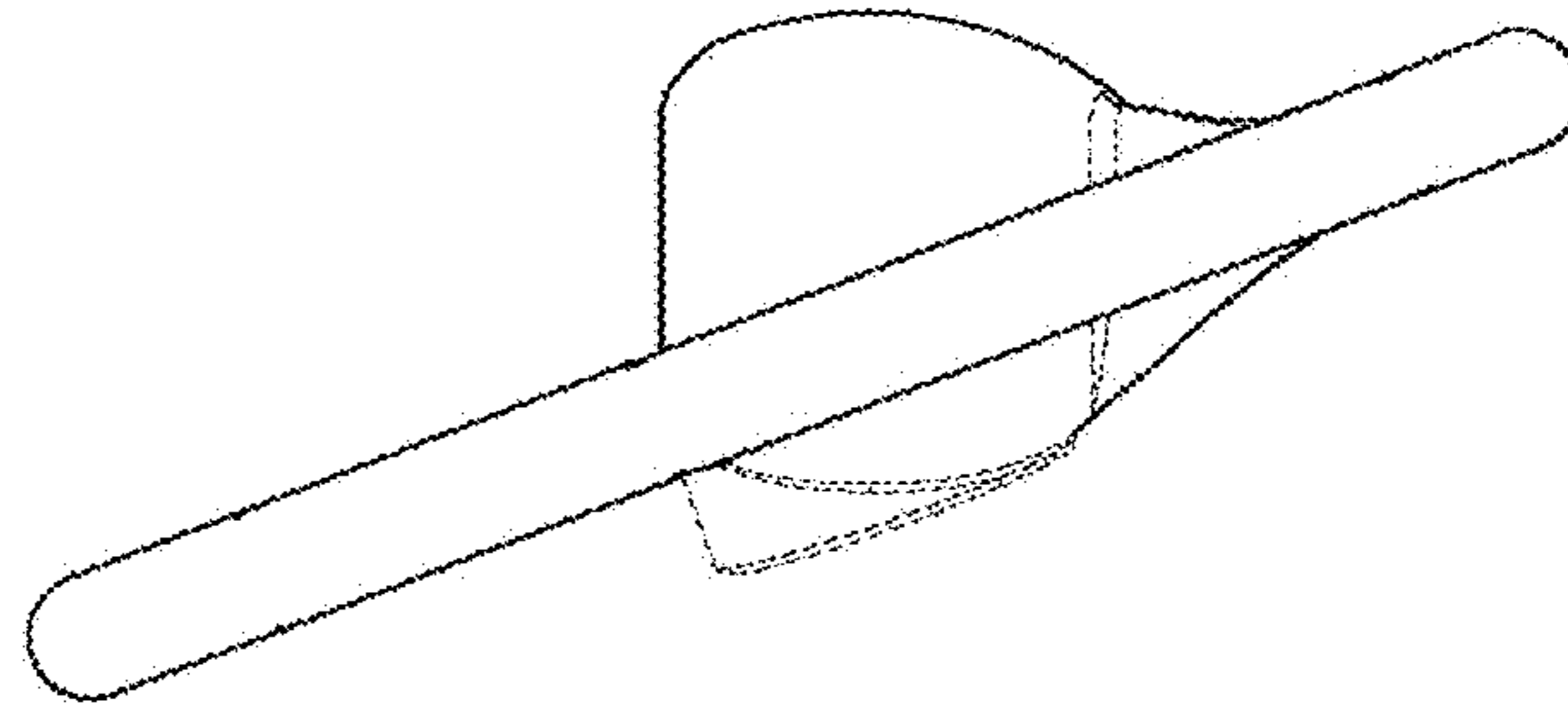
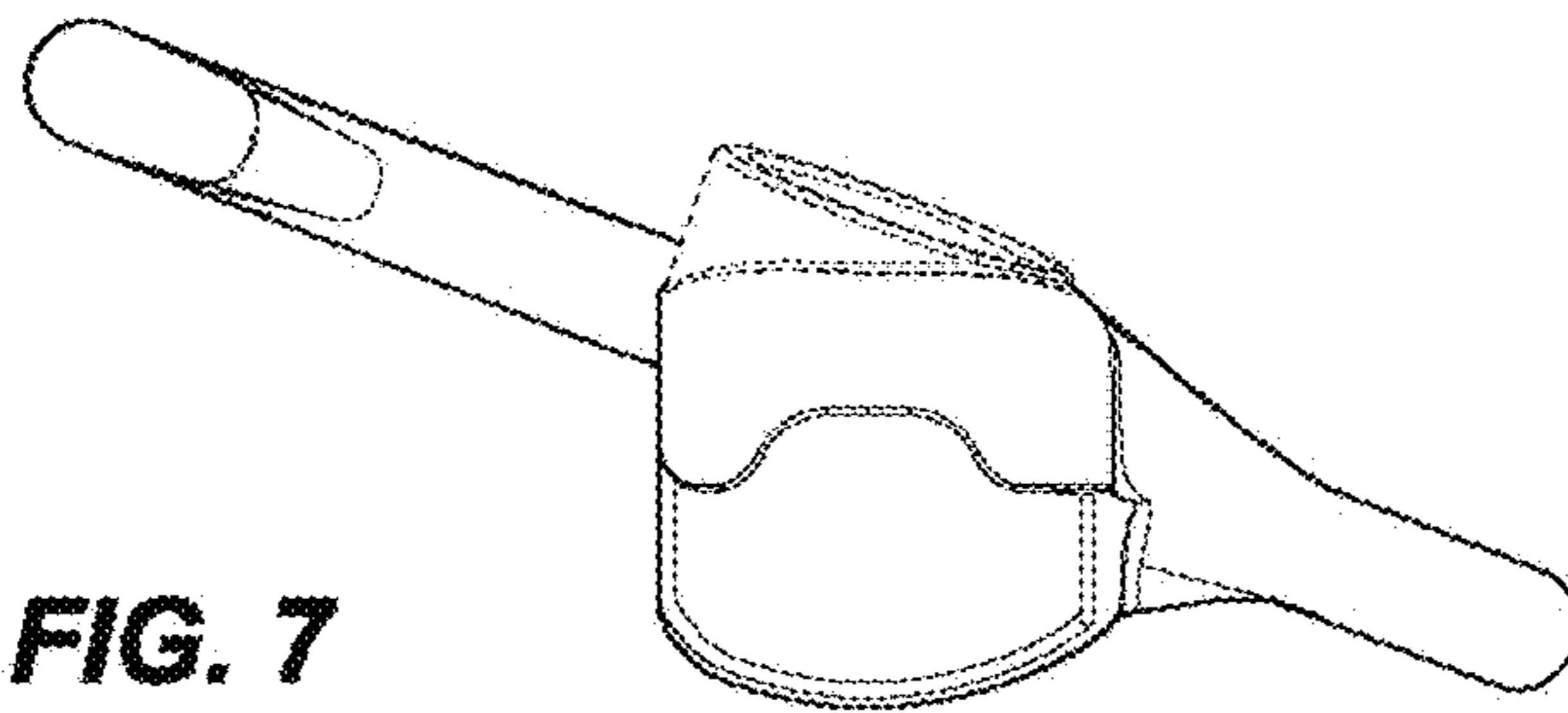


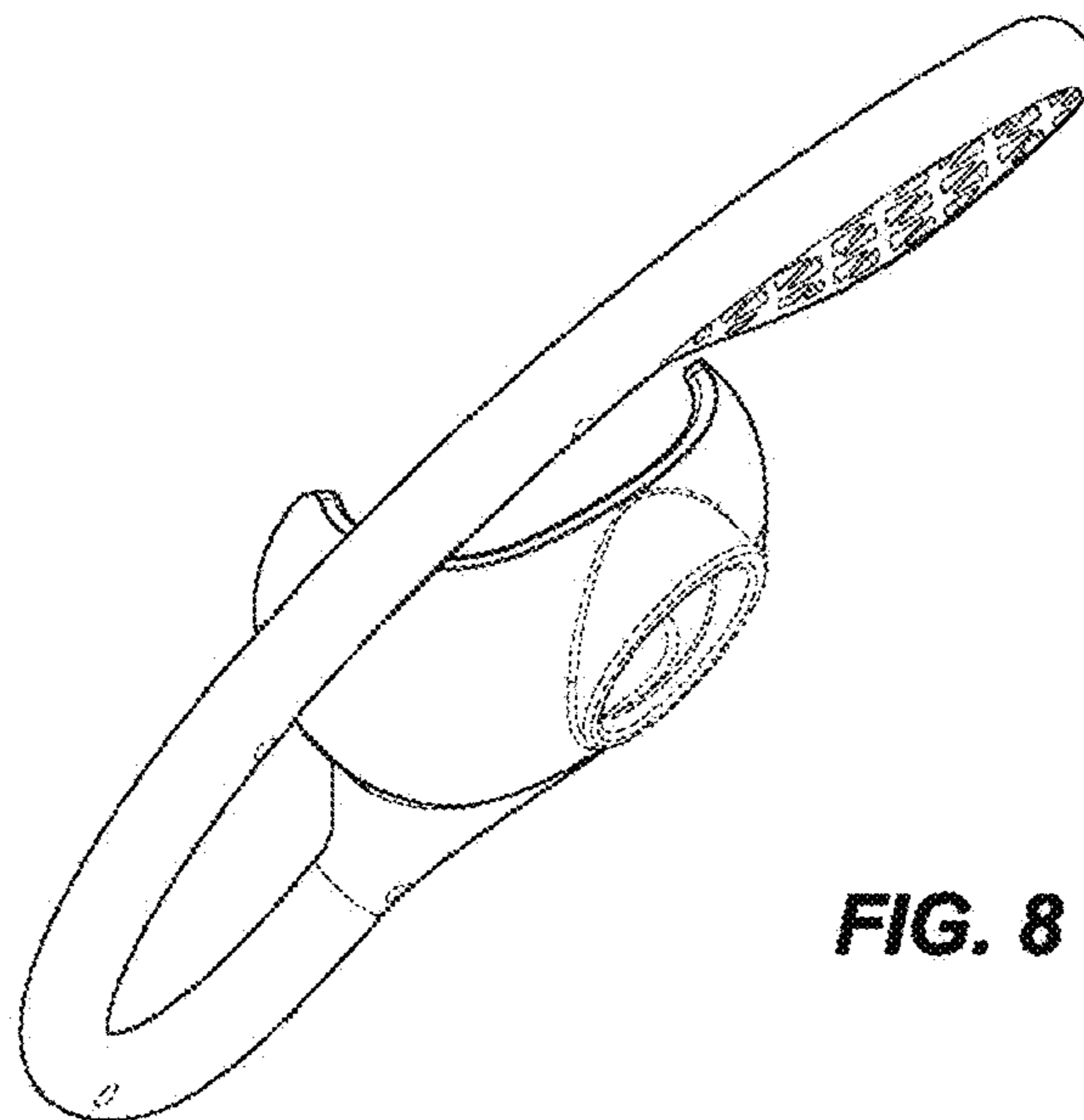
FIG. 5



**FIG. 6**



**FIG. 7**



**FIG. 8**



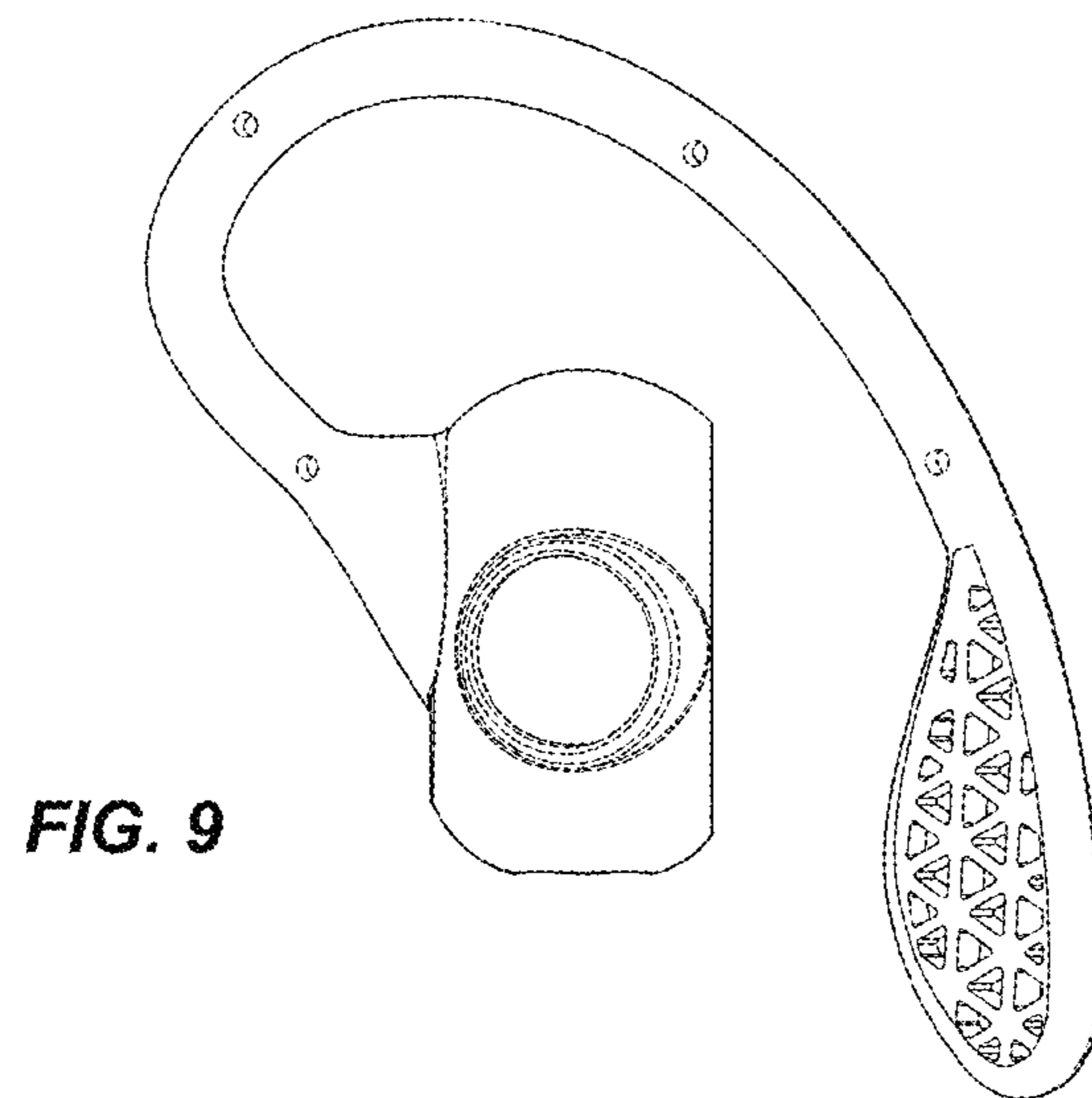


FIG. 9

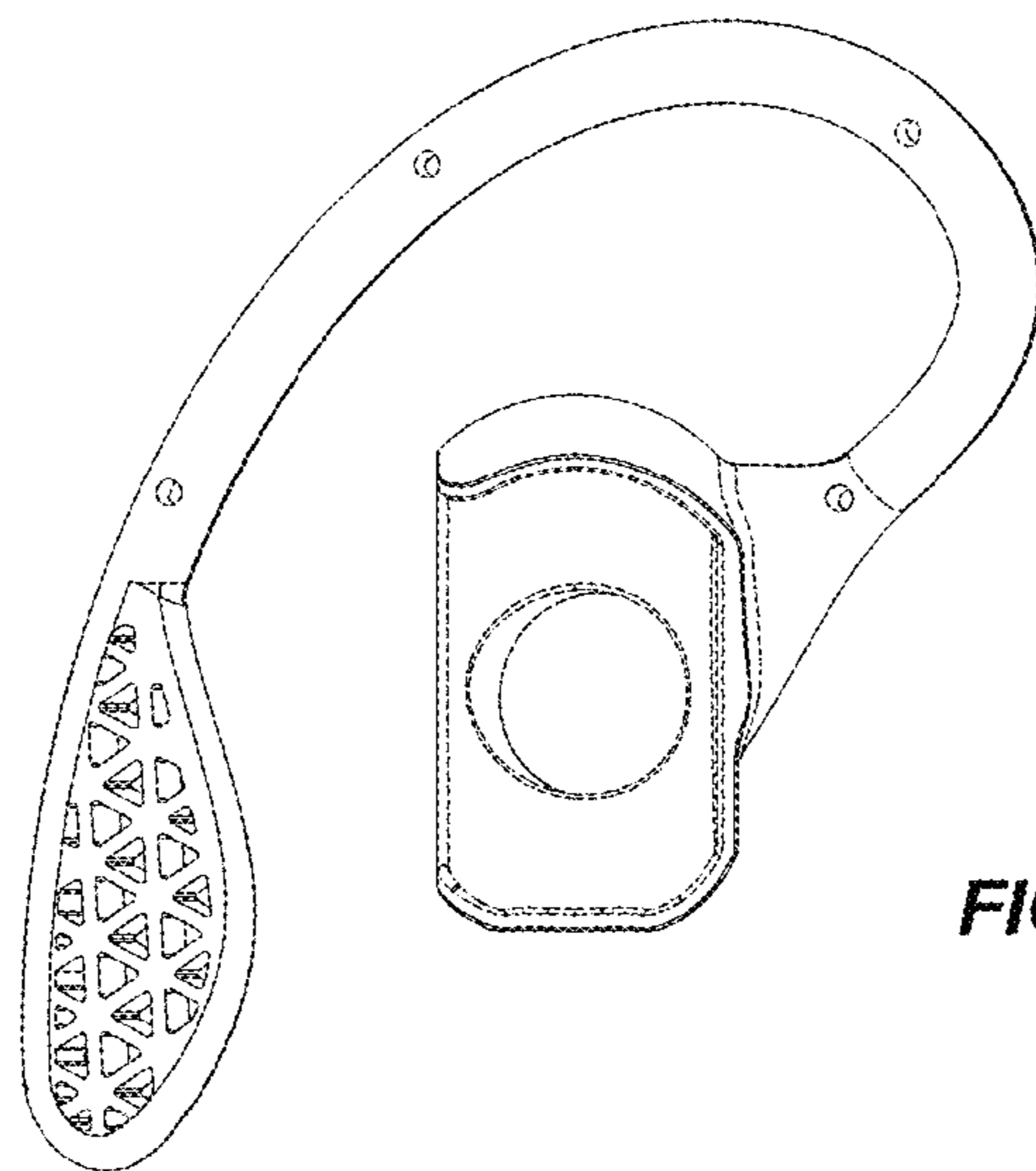
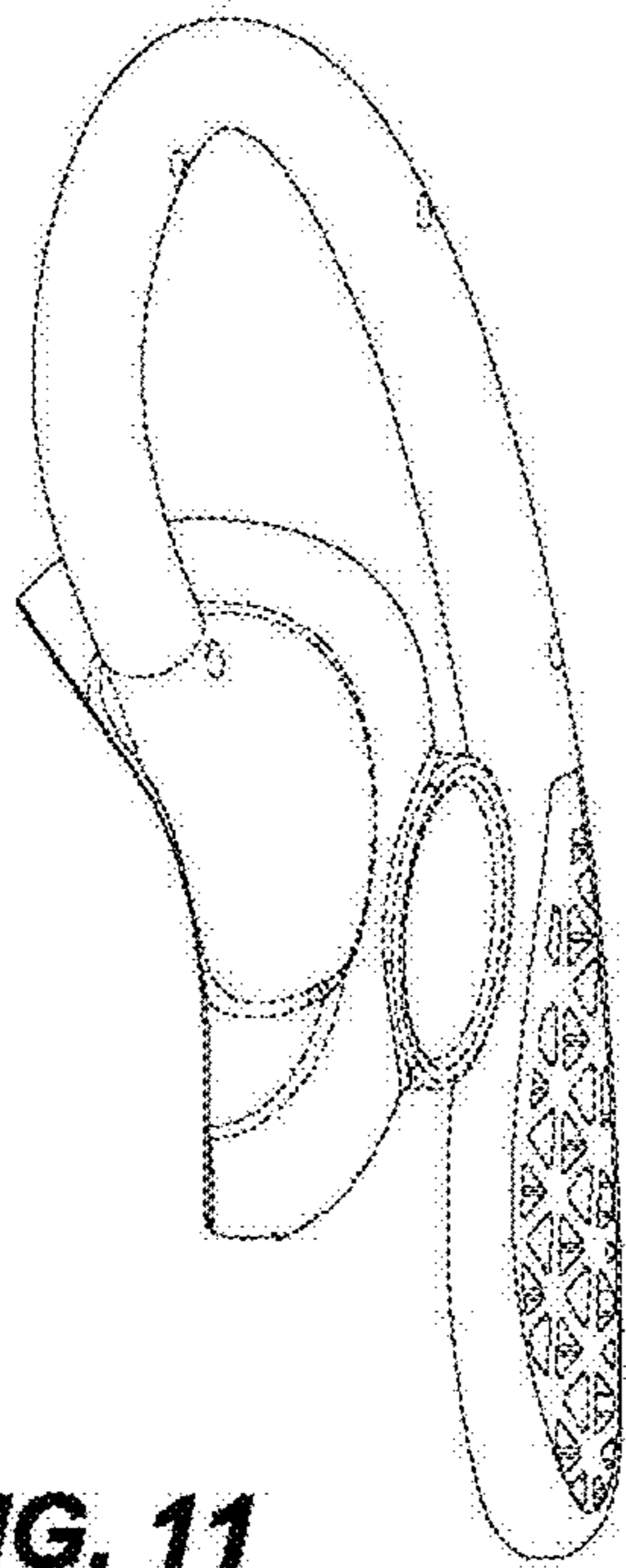
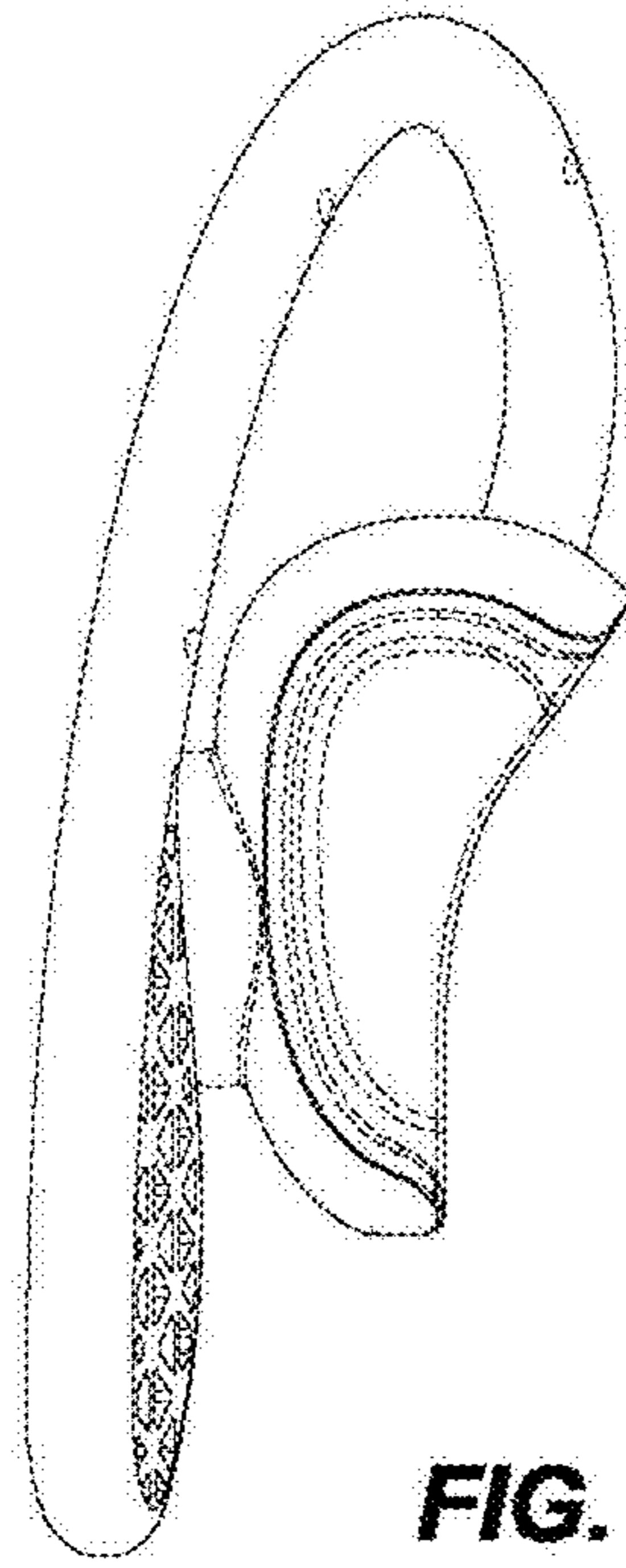


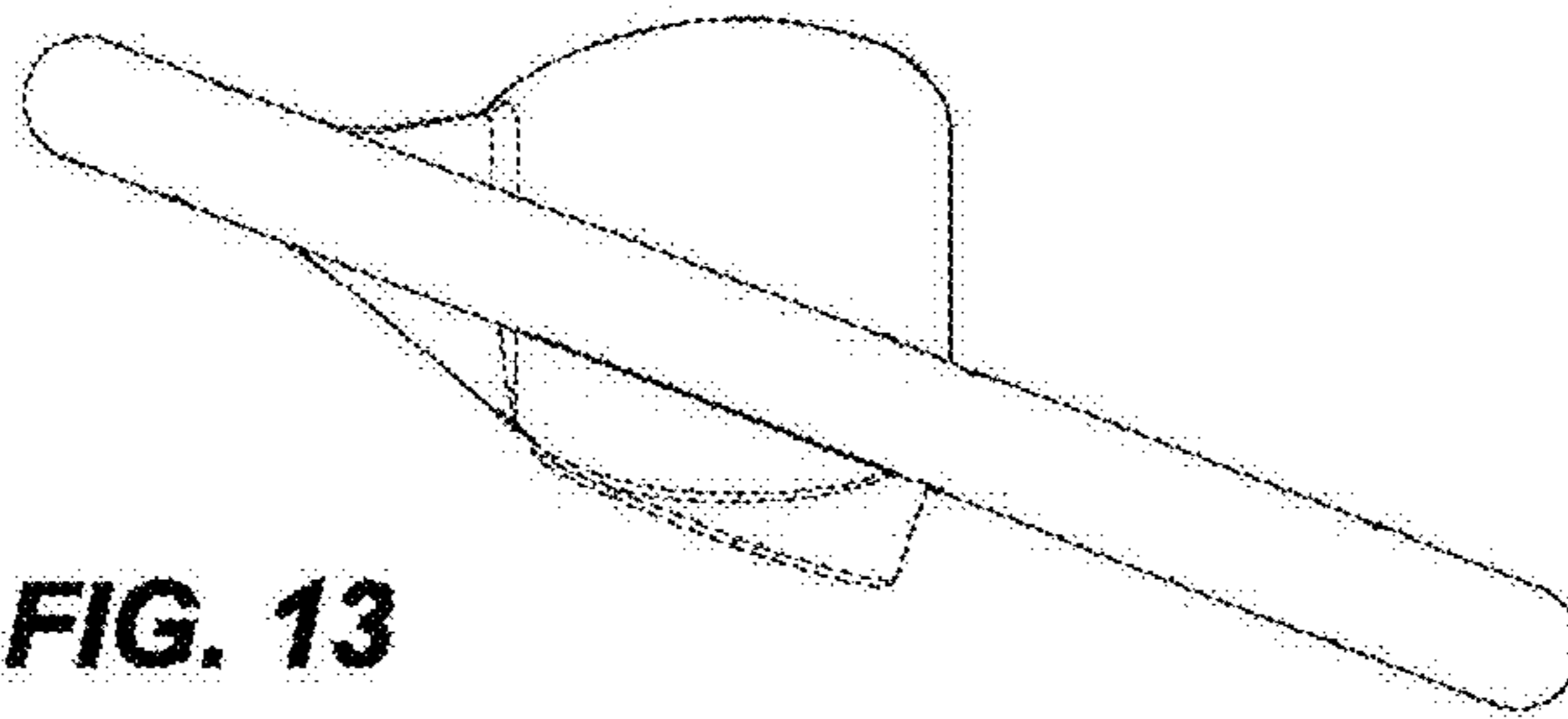
FIG. 10



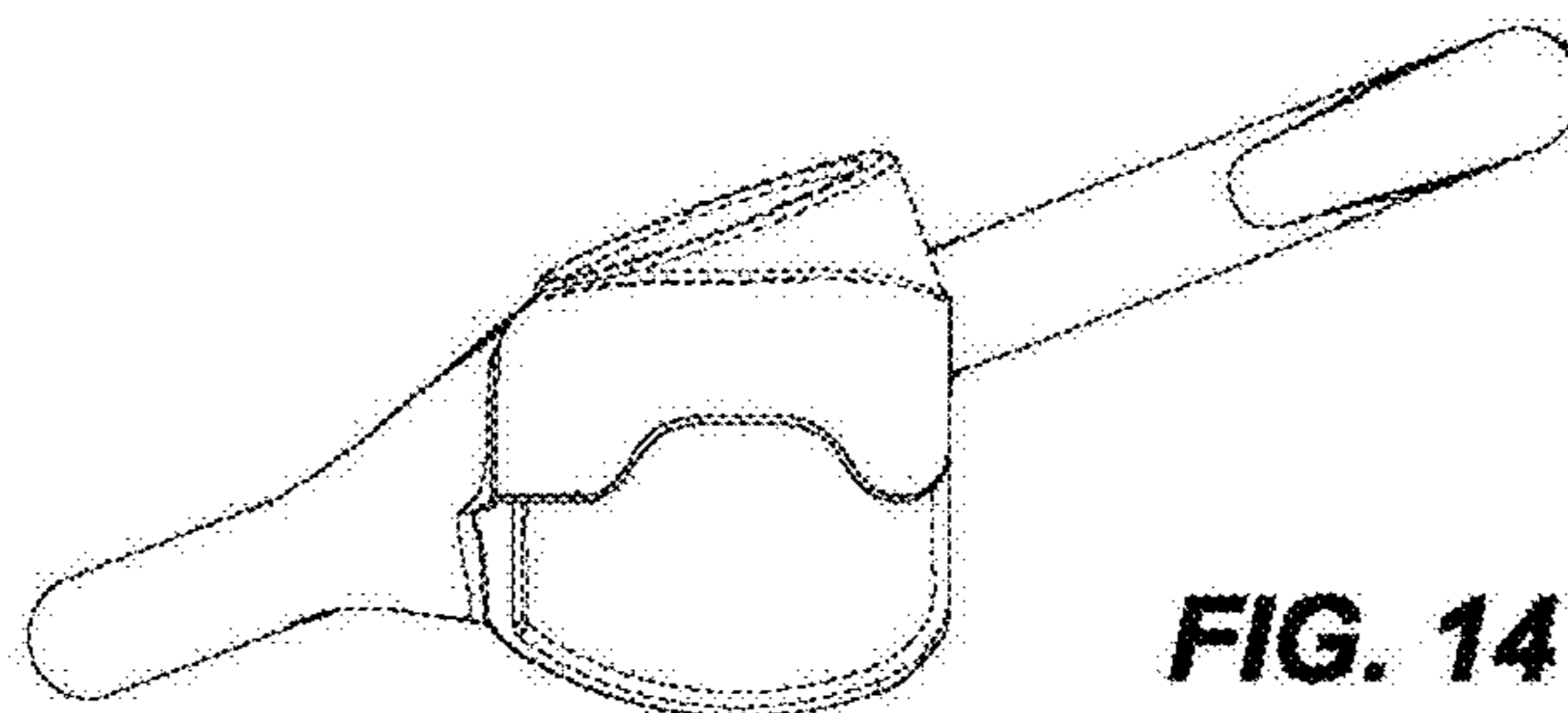
**FIG. 11**



**FIG. 12**



**FIG. 13**



**FIG. 14**