



US00D840974S

(12) **United States Design Patent**  
**Ferren et al.**

(10) **Patent No.:** **US D840,974 S**

(45) **Date of Patent:** **\*\* Feb. 19, 2019**

(54) **HEADPHONES**

(71) Applicant: **Pioneer Square Brands, Inc.**, Seattle, WA (US)

(72) Inventors: **Michael Cooper Ferren**, Camas, WA (US); **Michael Heecheol Kim**, Seattle, WA (US); **Jaimie Emerald Chan**, Renton, WA (US)

(73) Assignee: **PIONEER SQUARE BRANDS, INC.**, McLean, VA (US)

(\*\*) Term: **15 Years**

(21) Appl. No.: **29/663,907**

(22) Filed: **Sep. 19, 2018**

(51) **LOC (11) Cl.** ..... **14-01**

(52) **U.S. Cl.**  
USPC ..... **D14/205**

(58) **Field of Classification Search**  
USPC ..... D14/205, 206, 188, 192; D29/112;  
2/209; 181/129, 130, 135; 379/430, 431;  
381/380, 381, 374; 455/90.3, 575.1,  
455/569.1

CPC .... H04R 1/1066; H04R 1/1016; H04R 25/00;  
H04R 5/0335

See application file for complete search history.

(56) **References Cited**

**U.S. PATENT DOCUMENTS**

D237,307 S	*	10/1975	Miyamoto	.....	D14/192
D254,910 S		5/1980	Lung		
D255,569 S		6/1980	Lung		
D286,632 S		11/1986	Teunis		
D326,855 S		6/1992	Bose et al.		
D351,172 S	*	10/1994	Nakamura	.....	D14/205
D386,181 S	*	11/1997	Fisher	.....	D14/192
D449,034 S	*	10/2001	Weikel	.....	D14/205
D459,337 S		6/2002	Mori		

D502,695 S		3/2005	Suzuki		
D534,155 S	*	12/2006	Obata	.....	D14/205
D540,301 S	*	4/2007	Obata	.....	D14/205
D548,221 S		8/2007	Huang		
D603,371 S	*	11/2009	Boateng	.....	D14/205
D625,703 S		10/2010	Kolton		
D625,705 S	*	10/2010	Ohuri	.....	D14/205
D632,668 S	*	2/2011	Brunner	.....	D14/205
D635,959 S	*	4/2011	Hutchieson	.....	D14/205
D638,397 S		5/2011	McManigal		
D641,725 S		7/2011	Chong et al.		
D645,445 S		9/2011	Kolton		
D649,956 S		12/2011	Gresko et al.		
D651,586 S		1/2012	Lee et al.		
D652,406 S	*	1/2012	Lee	.....	D14/205
D656,480 S		3/2012	McManigal et al.		
D657,344 S	*	4/2012	Brunner	.....	D14/205
D658,629 S		5/2012	Nomura		
D659,672 S		5/2012	Lee et al.		
D660,823 S	*	5/2012	Hardi	.....	D14/205
D660,824 S	*	5/2012	Hardi	.....	D14/205

(Continued)

*Primary Examiner* — Paula Allen Greene

(74) *Attorney, Agent, or Firm* — Grandview Law

(57) **CLAIM**

The ornamental design for headphones, as shown and described.

**DESCRIPTION**

FIG. 1 is a rear perspective view of headphones showing our new design;

FIG. 2 is a front elevational view thereof.

FIG. 3 is a rear elevational view thereof.

FIG. 4 is a bottom elevational view thereof.

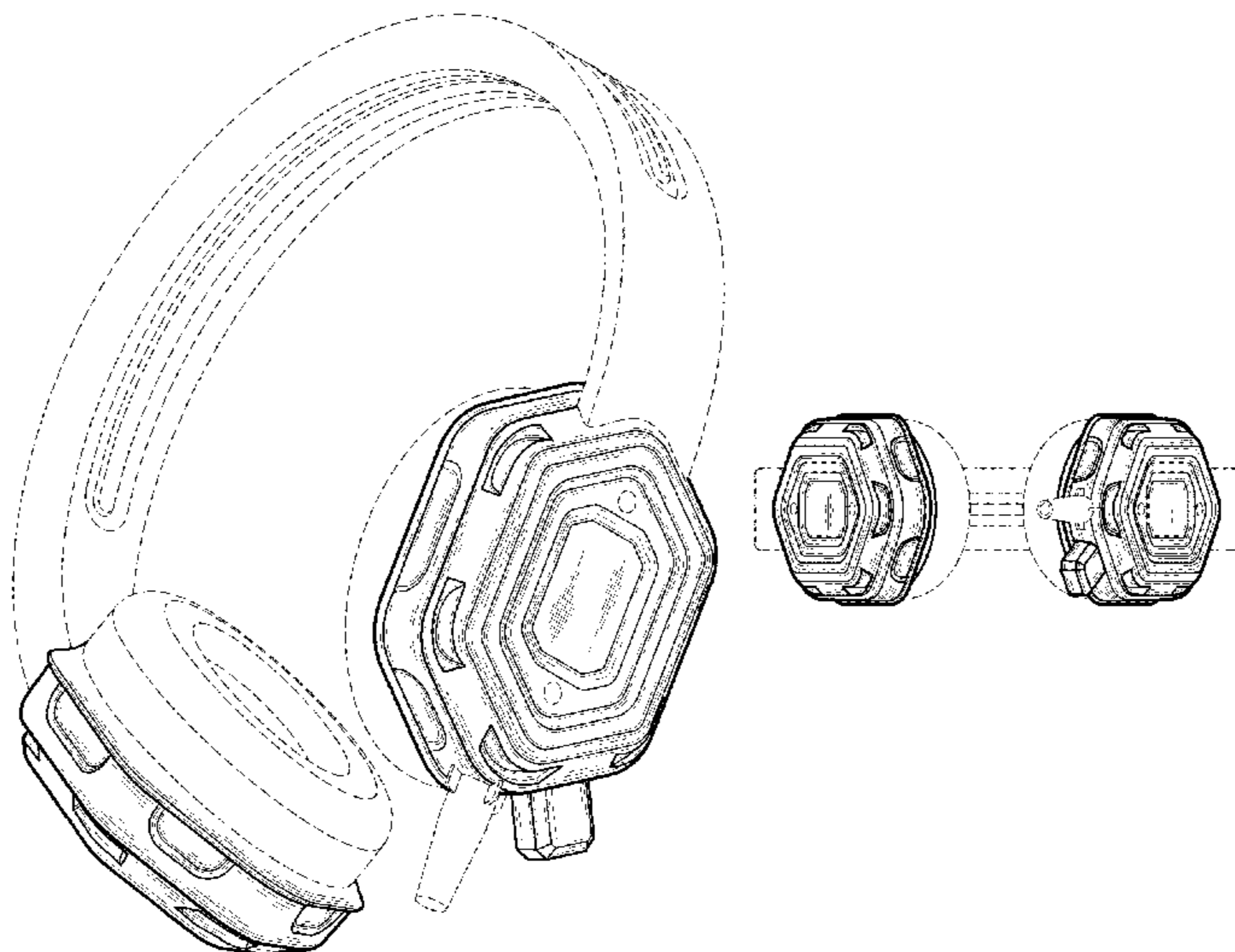
FIG. 5 is a top elevational view thereof.

FIG. 6 is a right elevational view thereof; and,

FIG. 7 is a left elevational view thereof.

The features shown in broken lines in the drawing figures depict features that form no part of the claimed design.

**1 Claim, 3 Drawing Sheets**



(56)

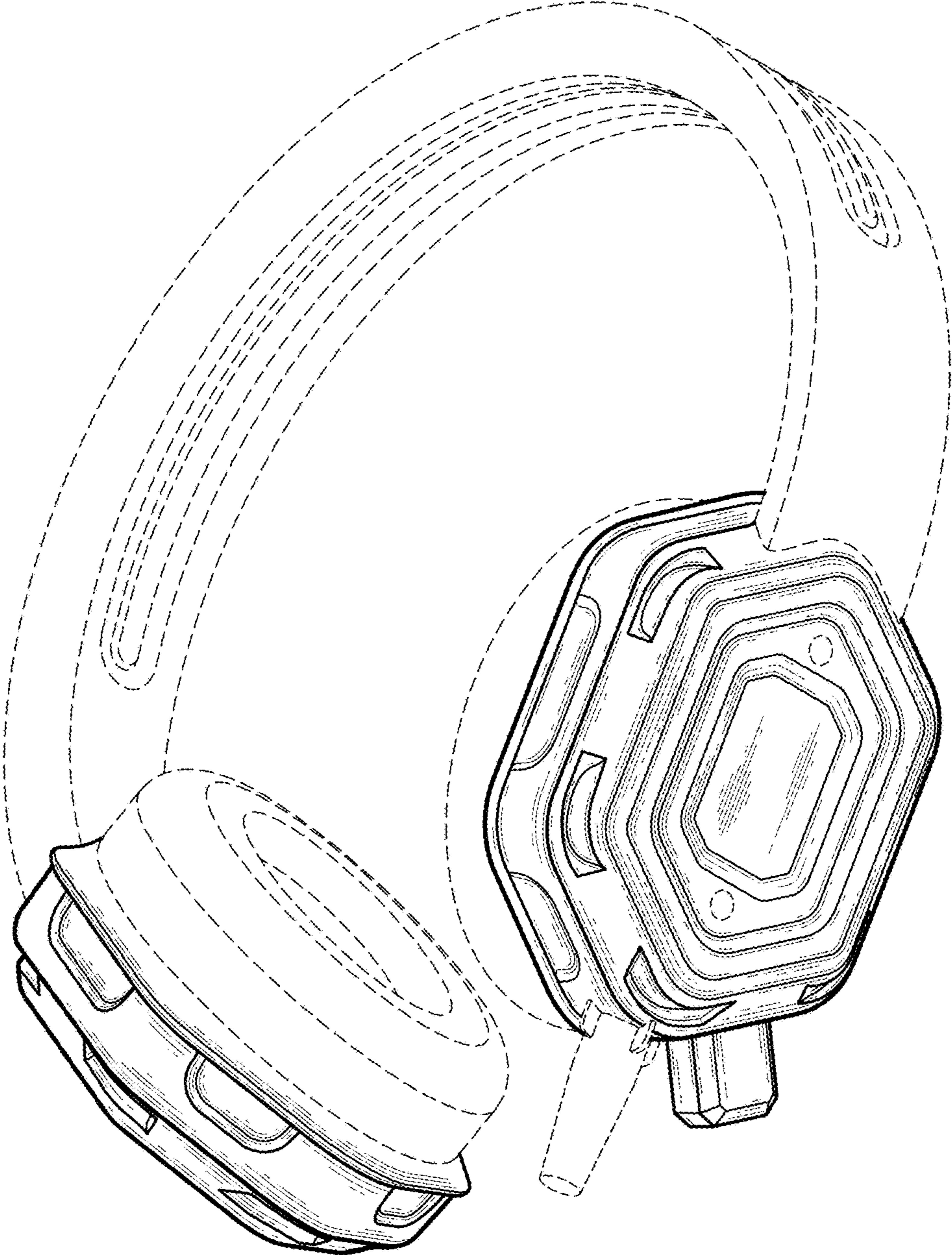
References Cited

U.S. PATENT DOCUMENTS

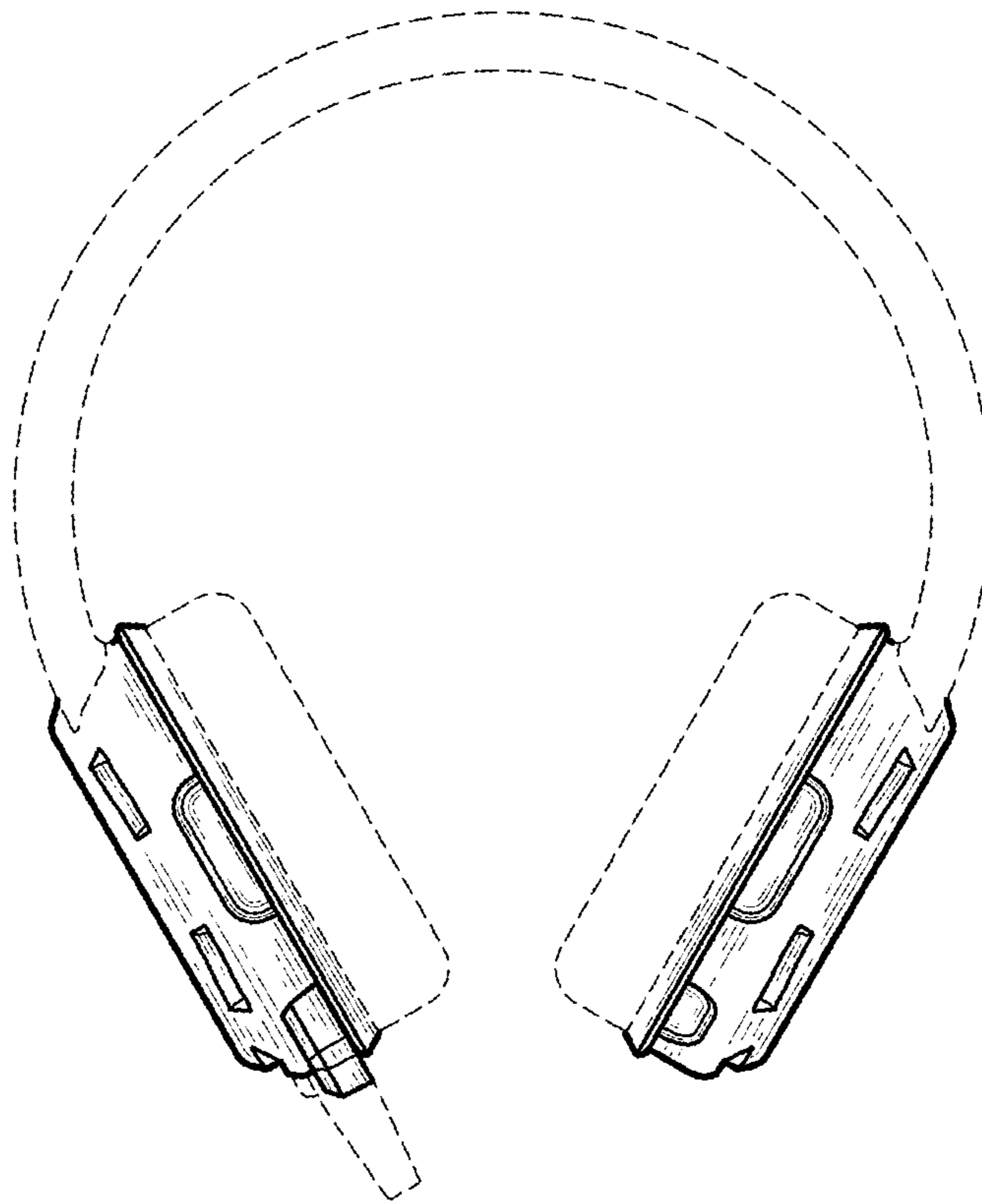
D661,281 S 6/2012 Mahaffy et al.  
 D663,716 S \* 7/2012 Hardi ..... D14/205  
 D666,992 S 9/2012 Lee et al.  
 D672,744 S 12/2012 Scarpa  
 D673,520 S \* 1/2013 Tan ..... D14/205  
 D675,595 S \* 2/2013 Cho ..... D14/205  
 D677,648 S \* 3/2013 Lee ..... D14/206  
 D680,516 S \* 4/2013 Lee ..... D14/205  
 D684,139 S \* 6/2013 Miyake ..... D14/205  
 D685,762 S 7/2013 Nokuo  
 D685,763 S \* 7/2013 Lee ..... D14/205  
 D687,409 S 8/2013 Lee et al.  
 D690,284 S 9/2013 Brennwald  
 D690,680 S 10/2013 McManigal  
 D690,682 S 10/2013 Iacovelli et al.  
 D691,107 S 10/2013 Takeno  
 D697,048 S 1/2014 Pavitsich  
 D697,895 S \* 1/2014 Lee ..... D14/205  
 D697,896 S \* 1/2014 Lee ..... D14/205  
 D699,702 S \* 2/2014 Chen ..... D14/205  
 D705,750 S \* 5/2014 Wu ..... H04R 1/1066  
 D14/205

D712,872 S 9/2014 Yuen  
 D714,756 S 10/2014 Xiang et al.  
 D716,256 S \* 10/2014 Ang ..... D14/205  
 8,861,766 B2 \* 10/2014 Ouryouji ..... H04R 1/1058  
 381/370  
 D717,276 S \* 11/2014 Zhou ..... D14/205  
 D717,764 S \* 11/2014 Lee ..... D14/205  
 D717,766 S 11/2014 McHatet  
 D719,134 S \* 12/2014 Gan ..... D14/205  
 D721,053 S \* 1/2015 Fujioka ..... D14/205  
 D722,997 S \* 2/2015 Lee ..... D14/205  
 D727,288 S \* 4/2015 Yamasaki ..... D14/205  
 D729,196 S \* 5/2015 Liu ..... D14/205  
 D737,798 S \* 9/2015 Yoshimura ..... D14/205  
 D741,286 S 10/2015 Brennwald et al.  
 D747,557 S \* 1/2016 Bonney ..... D29/112  
 D752,018 S \* 3/2016 Gondo ..... D14/205  
 D757,681 S 5/2016 Kuskin et al.  
 D763,820 S 8/2016 Mchatet  
 D769,221 S \* 10/2016 Pedersen ..... D14/206  
 D780,154 S 2/2017 Jaynes  
 D790,504 S 6/2017 Tam  
 D800,092 S 10/2017 Paterson et al.  
 D801,301 S \* 10/2017 Damboulev ..... D14/205  
 D804,456 S 12/2017 Katopis

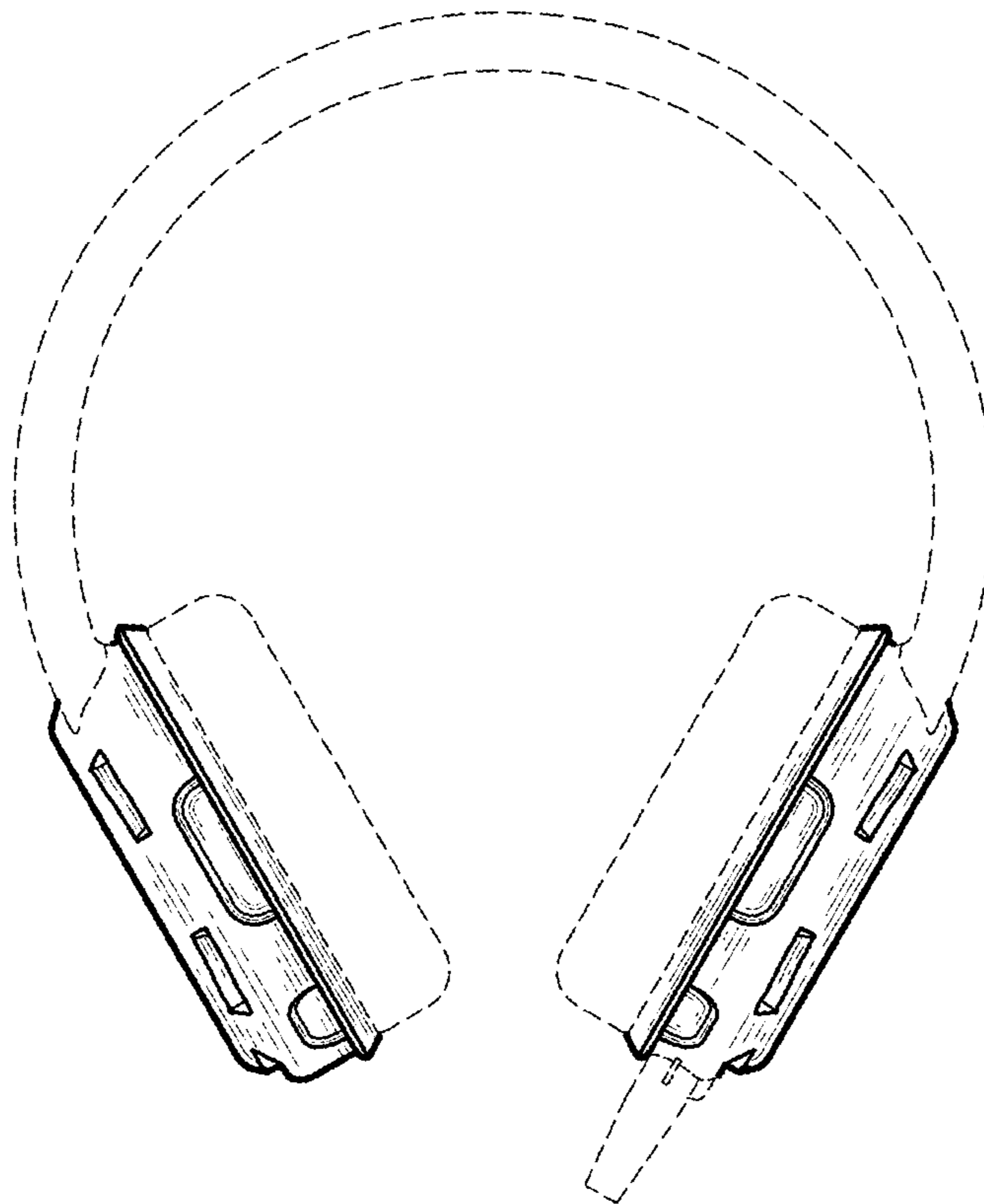
\* cited by examiner



*Fig. 1*

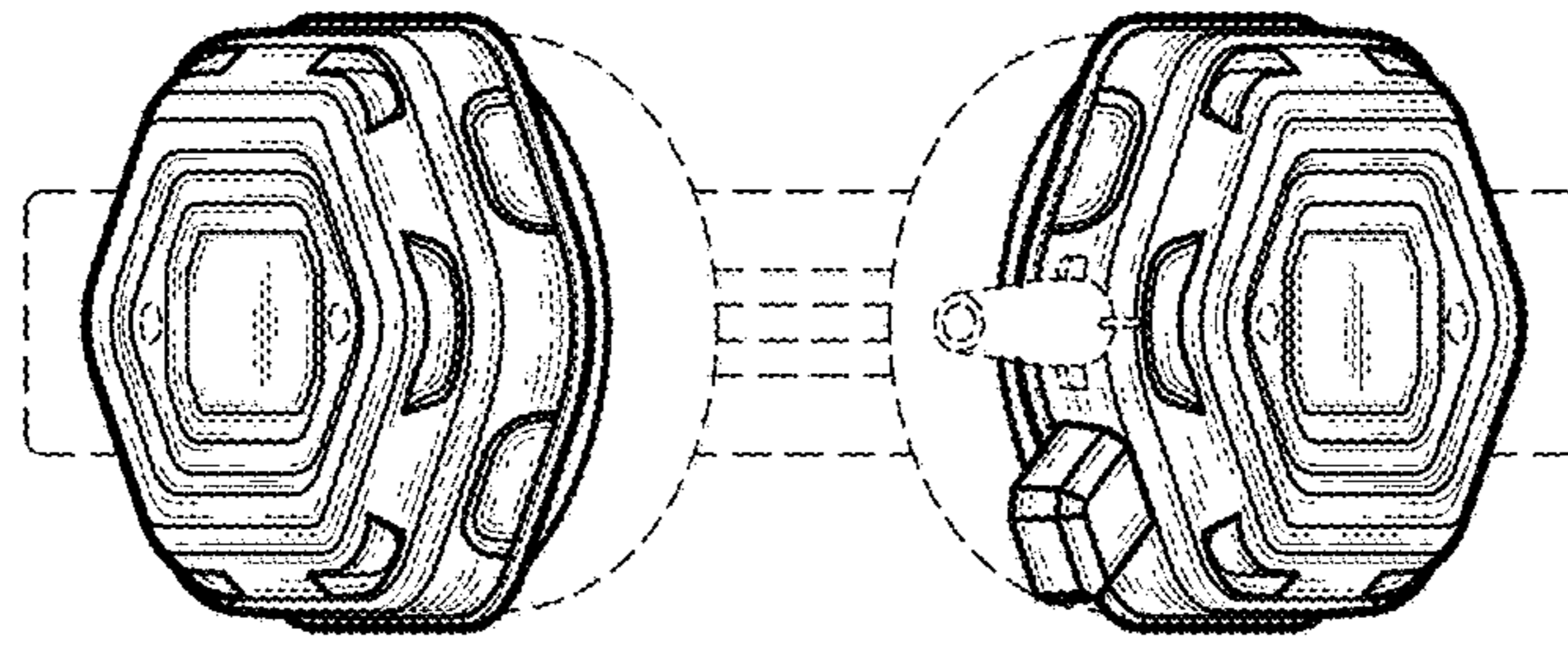


*Fig. 2*

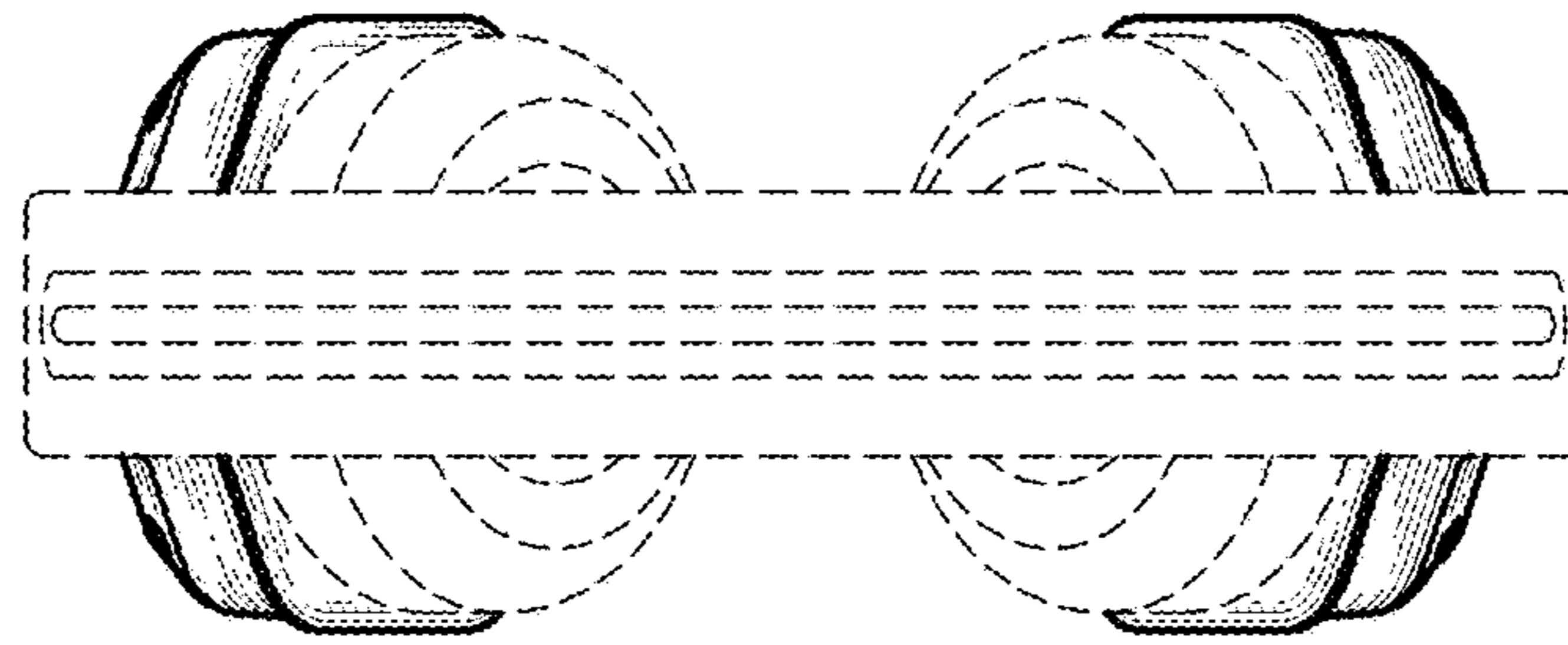


*Fig. 3*

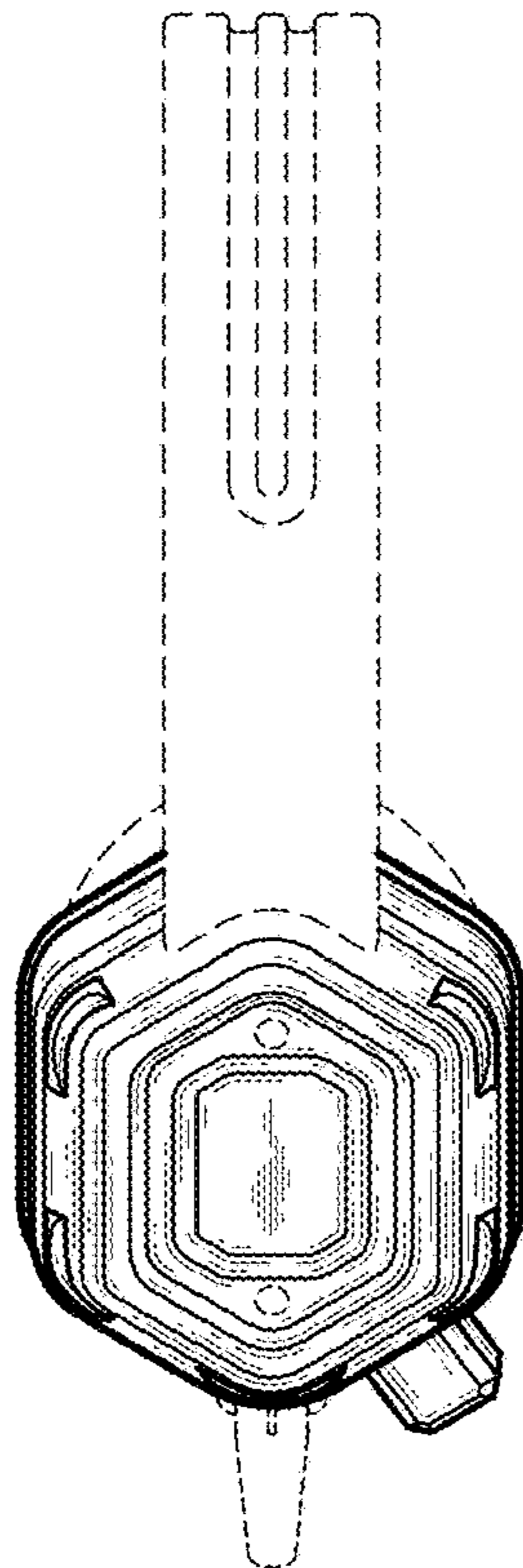
*Fig. 4*



*Fig. 5*



*Fig. 6*



*Fig. 7*

