



US00D840971S

(12) **United States Design Patent** (10) **Patent No.:** **US D840,971 S**
Summerson et al. (45) **Date of Patent:** **** Feb. 19, 2019**

(54) **SET OF HEADPHONES**

(71) Applicant: **Bose Corporation**, Framingham, MA (US)

(72) Inventors: **Paul Summerson**, Berlin, MA (US); **Julie E. Tierney**, Shrewsbury, MA (US); **Nathan David Schaal**, Cambridge, MA (US); **Adam A. Carr**, Southborough, MA (US); **Mitchell Joseph Silva**, Groton, MA (US); **Sebastian Garcia**, Boston, MA (US); **Stephen D. Boyle**, Newton, MA (US); **Joshua Kevin Dryden**, Marlborough, MA (US)

(73) Assignee: **Bose Corporation**, Framingham, MA (US)

(**) Term: **15 Years**

(21) Appl. No.: **29/615,476**

(22) Filed: **Aug. 29, 2017**

Related U.S. Application Data

(62) Division of application No. 29/559,975, filed on Apr. 1, 2016, now Pat. No. Des. 809,476.

(51) **LOC (11) Cl.** **14-01**

(52) **U.S. Cl.**
USPC **D14/205**

(58) **Field of Classification Search**
USPC D14/205, 188, 192, 372; D29/112; 2/209; D28/41; 132/274, 275; 181/129, 181/130, 135; 379/430, 431; 381/380, 381/381, 374, 74; 455/90.3, 575.1, 569.1
CPC H04R 1/1066; H04R 1/1016; H04R 1/10; H04R 25/00; H04R 5/033; H04R 5/0335; A45D 8/34

See application file for complete search history.

(56) **References Cited**

U.S. PATENT DOCUMENTS

1,878,397	A *	9/1932	Hekler	A45D 44/12
				128/866
2,314,782	A *	3/1943	Goretsky	A61F 11/06
				2/209
D244,037	S *	4/1977	Warner	D14/205
4,459,707	A *	7/1984	Stallings	A61F 11/14
				181/129
5,018,599	A *	5/1991	Dohi	H04R 1/1008
				181/129
D336,646	S *	6/1993	Yamazaki	D14/205
D337,115	S *	7/1993	Yamazaki	D14/205
D347,434	S *	5/1994	Yamatogi	D14/205
D348,465	S *	7/1994	Yamatogi	D14/205
D351,172	S *	10/1994	Nakamura	D14/205
D358,388	S *	5/1995	Nakamura	D14/205
D390,564	S *	2/1998	Savona	D14/205
5,987,647	A *	11/1999	Ouellette	A41D 23/00
				132/273

(Continued)

Primary Examiner — Paula Allen Greene

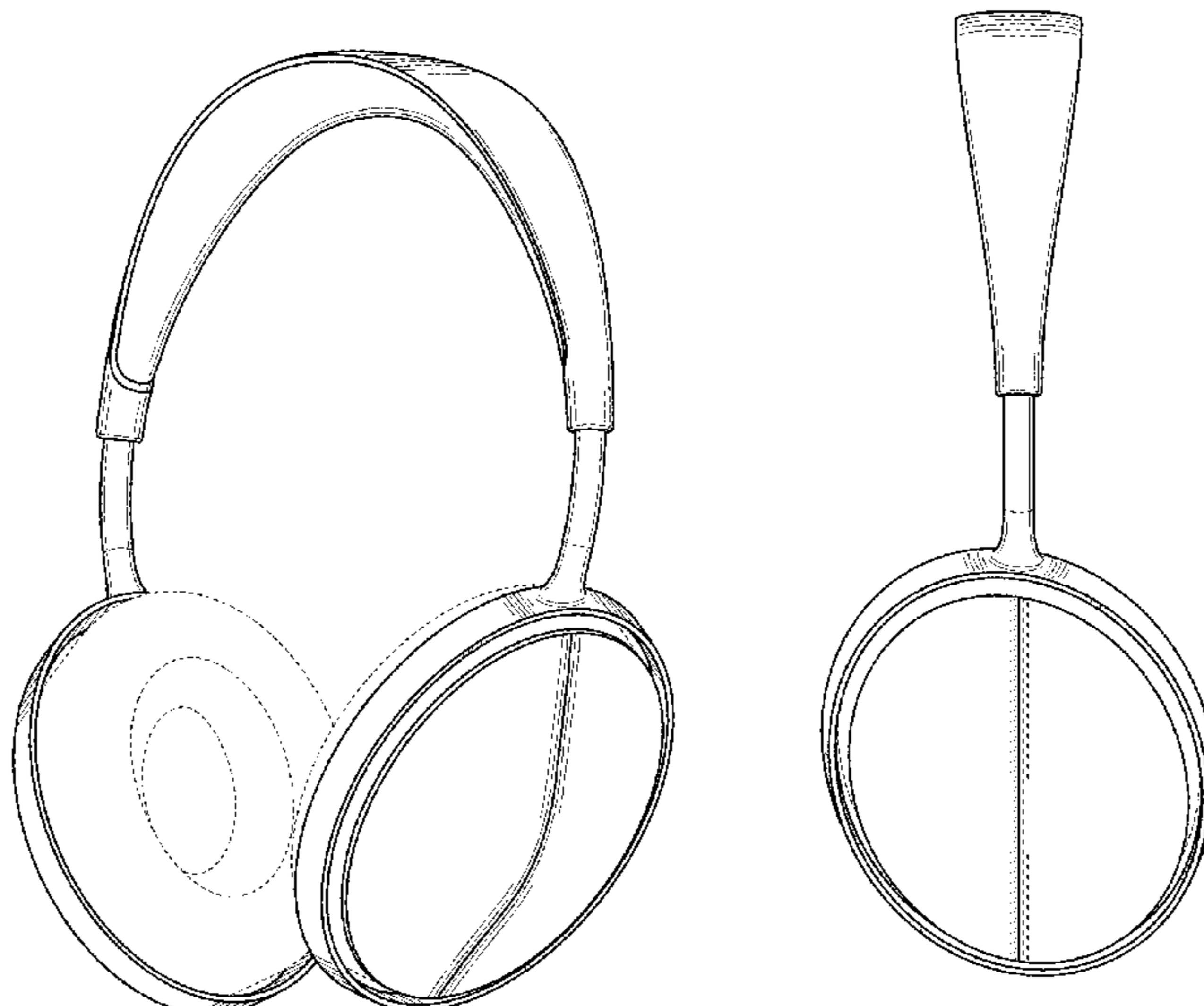
(57) **CLAIM**

The ornamental design for set of headphones, substantially as shown and described.

DESCRIPTION

FIG. 1 is a perspective view of a set of headphones as seen from the front and left side;
FIG. 2 is a front view thereof;
FIG. 3 is a back view thereof;
FIG. 4 is a top view thereof;
FIG. 5 is a bottom view thereof;
FIG. 6 is a left side view thereof; and,
FIG. 7 is a right side view thereof.
The dotted line portions of the drawings represent environmental structure only and do not form part of the claimed design.

1 Claim, 5 Drawing Sheets



(56)

References Cited

U.S. PATENT DOCUMENTS

D435,249 S * 12/2000 Yasutomi D14/205
 D435,537 S * 12/2000 Yuyama D14/205
 D457,874 S * 5/2002 Yoneda D14/205
 D505,411 S * 5/2005 Sakai D14/192
 D534,155 S * 12/2006 Obata D14/205
 D540,301 S * 4/2007 Obata D14/205
 D541,257 S * 4/2007 Thursfield D14/205
 D588,098 S * 3/2009 Kurihara D14/205
 D591,263 S * 4/2009 Shimizu D14/205
 D594,847 S * 6/2009 Suzuki D14/205
 D600,674 S * 9/2009 Brennwald D14/205
 D603,371 S * 11/2009 Boateng D14/205
 D625,705 S * 10/2010 Ohori D14/205
 D635,959 S * 4/2011 Hutchieson D14/205
 D637,997 S * 5/2011 Peller D14/205
 D683,329 S * 5/2013 Hagelin D14/205

D683,717 S * 6/2013 Kelly D14/205
 D684,141 S * 6/2013 Takamoto D14/205
 D697,048 S * 1/2014 Pavitsich D14/205
 D699,702 S * 2/2014 Chen D14/205
 8,646,466 B2 * 2/2014 Howard A45D 8/36
 132/275
 D708,163 S * 7/2014 Ishikura D14/205
 D721,052 S * 1/2015 Carr D14/205
 D721,055 S * 1/2015 Sparks D14/206
 D722,041 S * 2/2015 Sparks D14/206
 D724,562 S * 3/2015 Sparks D14/206
 D733,090 S * 6/2015 Petersen D14/205
 D735,161 S * 7/2015 Sparks D14/205
 D737,799 S * 9/2015 Carr D14/205
 D809,475 S * 2/2018 Dryden D14/205
 D809,476 S * 2/2018 Summerson D14/205
 D810,046 S * 2/2018 Dryden D14/205
 2006/0027245 A1 * 2/2006 Spector A45D 8/36
 132/273

* cited by examiner

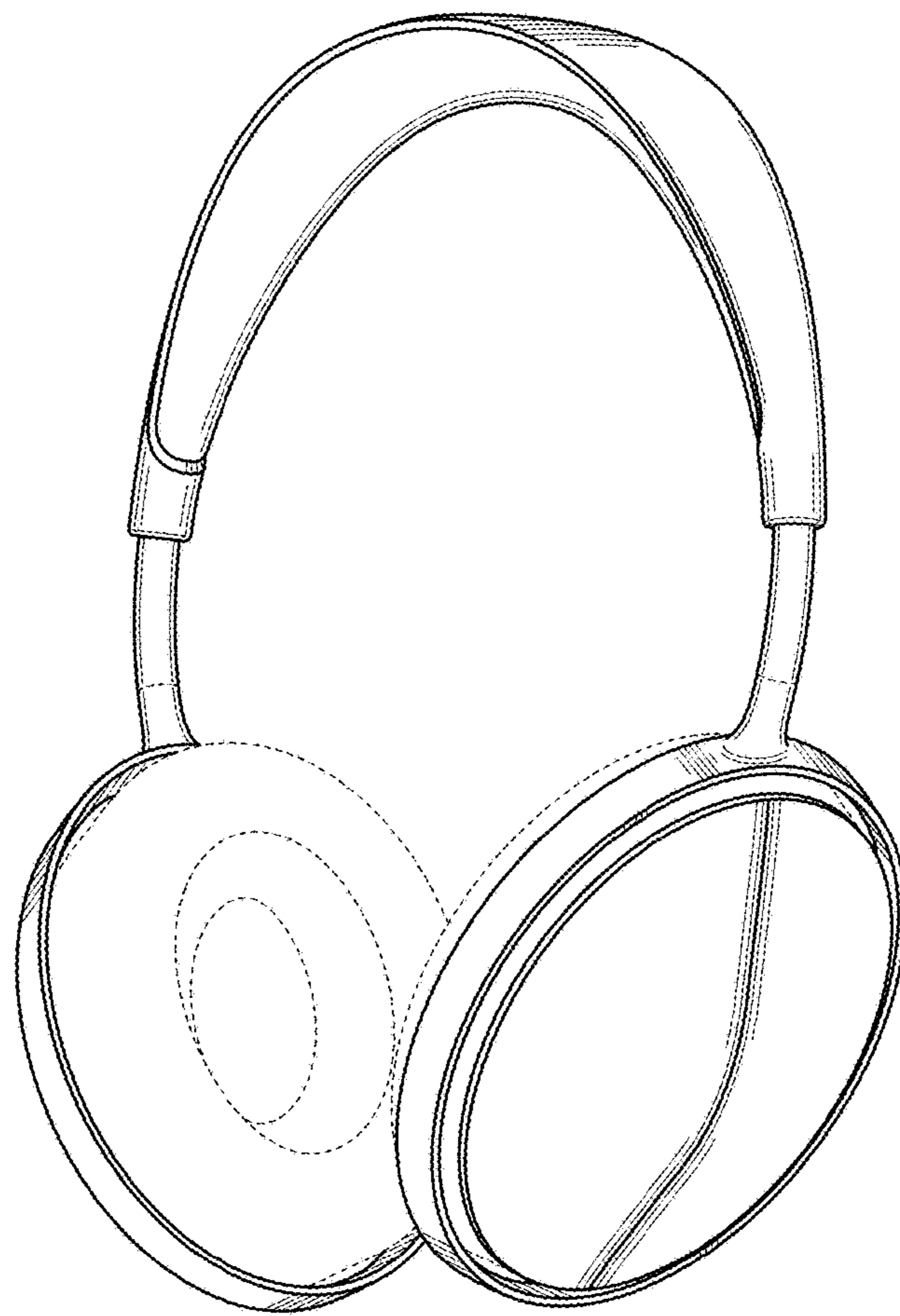


FIG. 1

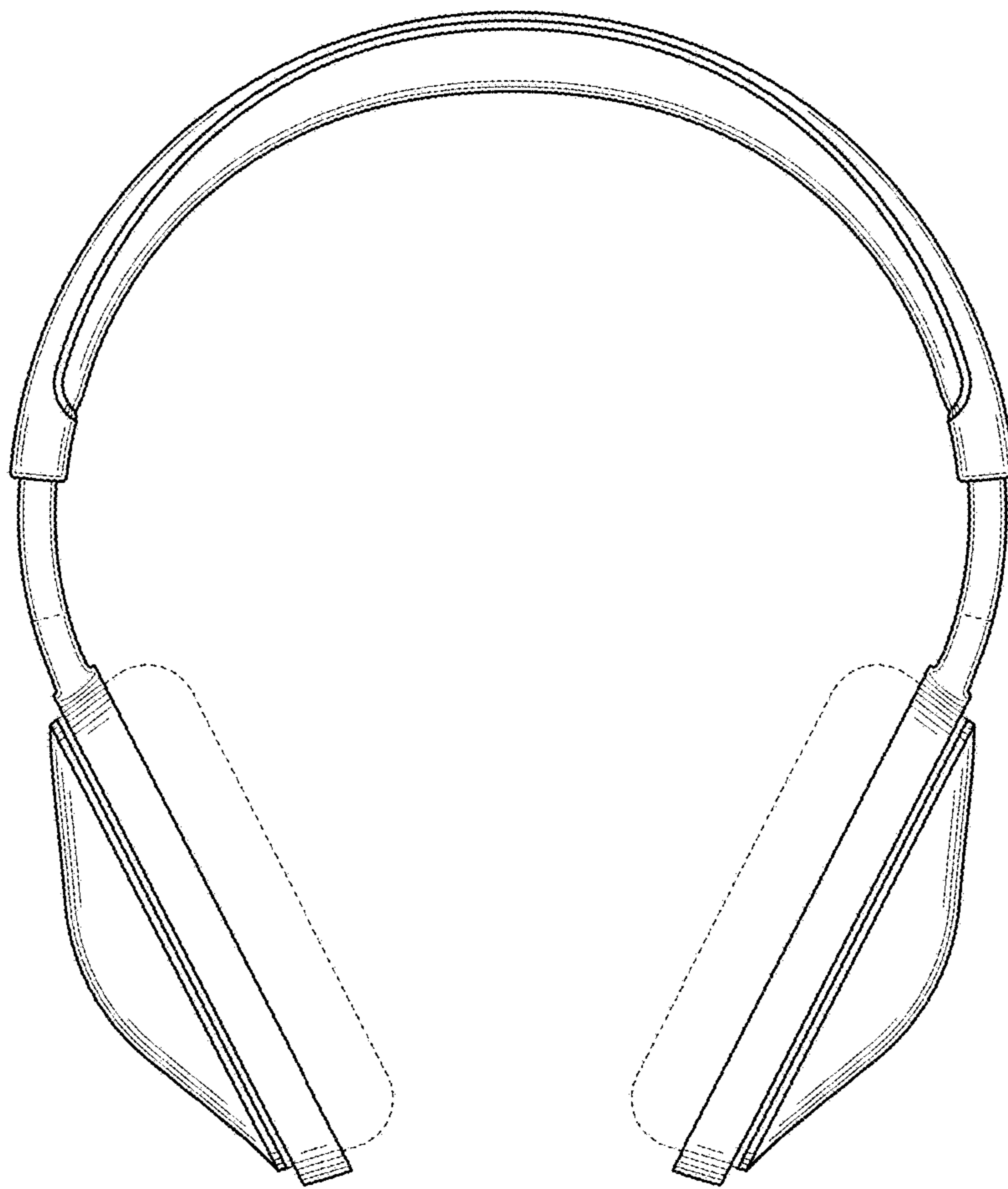


FIG. 2

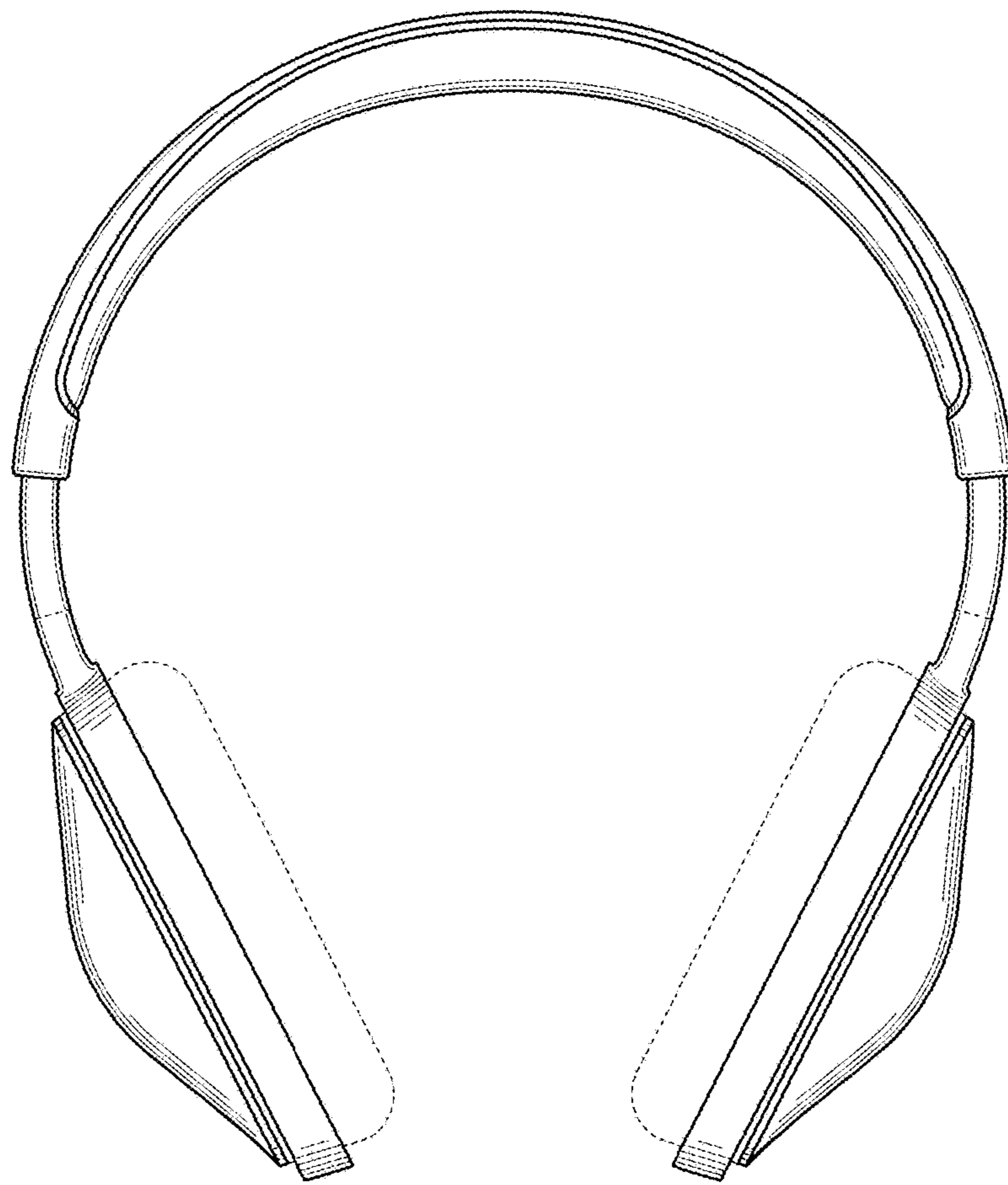


FIG. 3

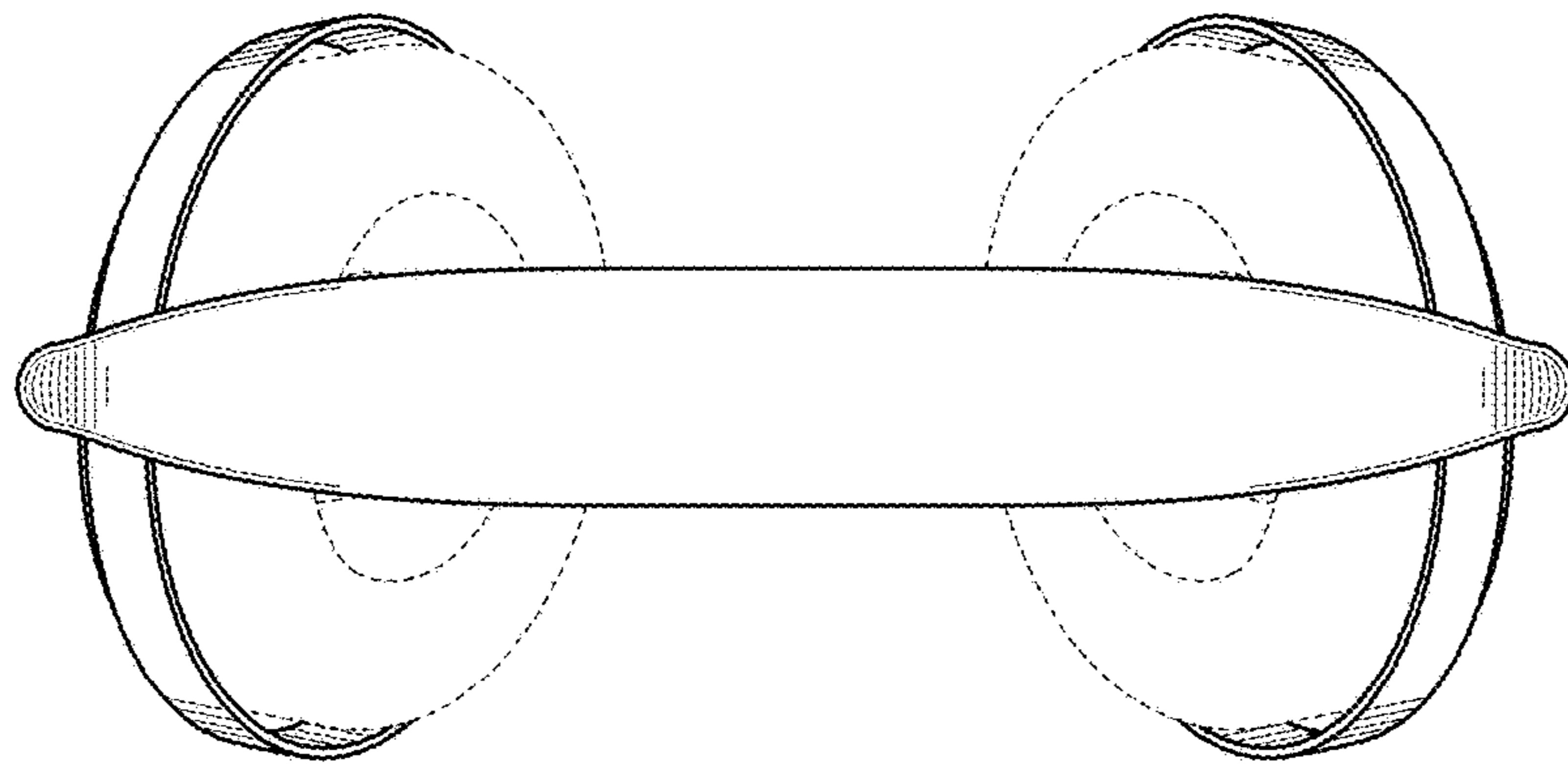


FIG. 4

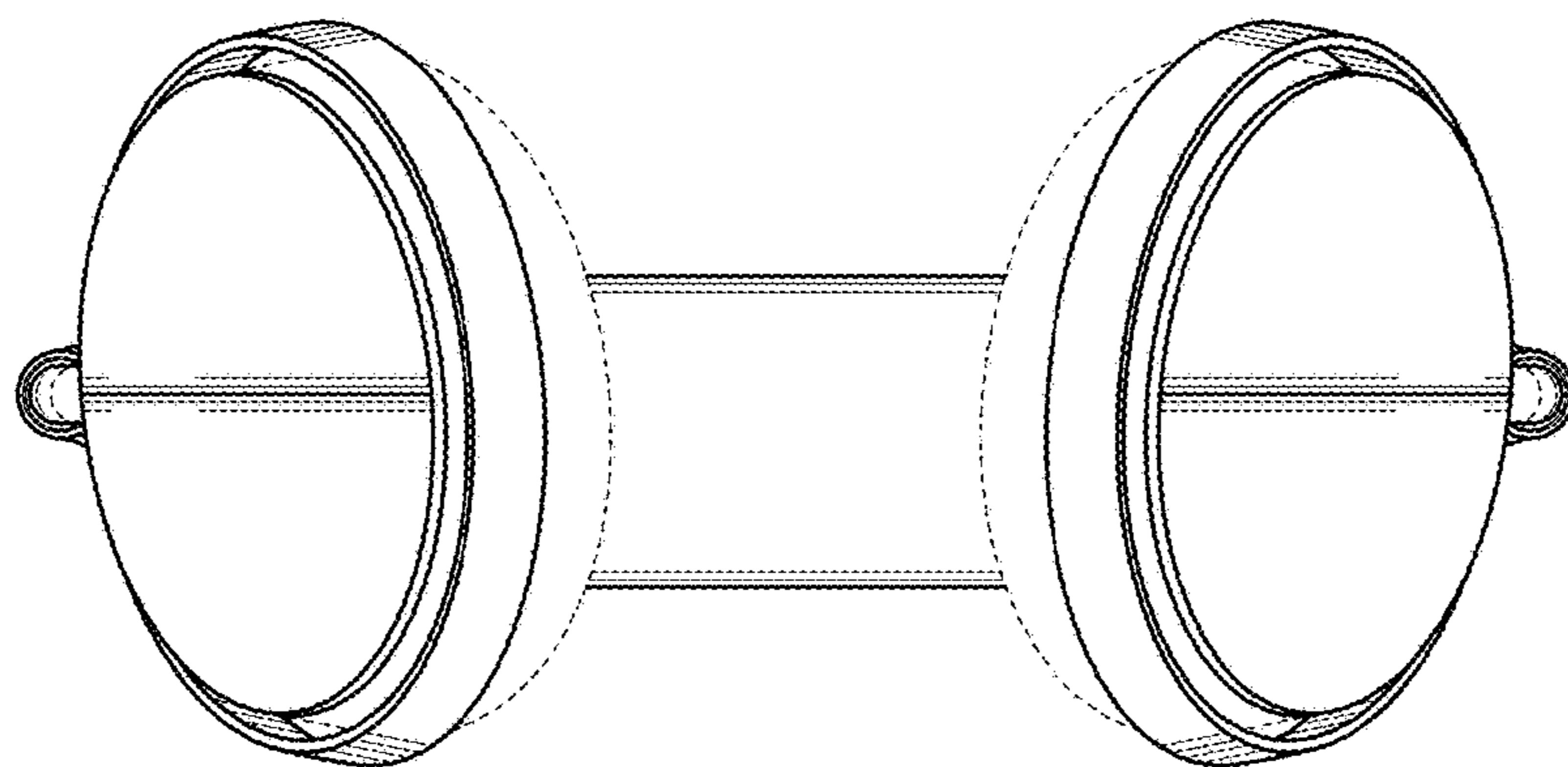


FIG. 5

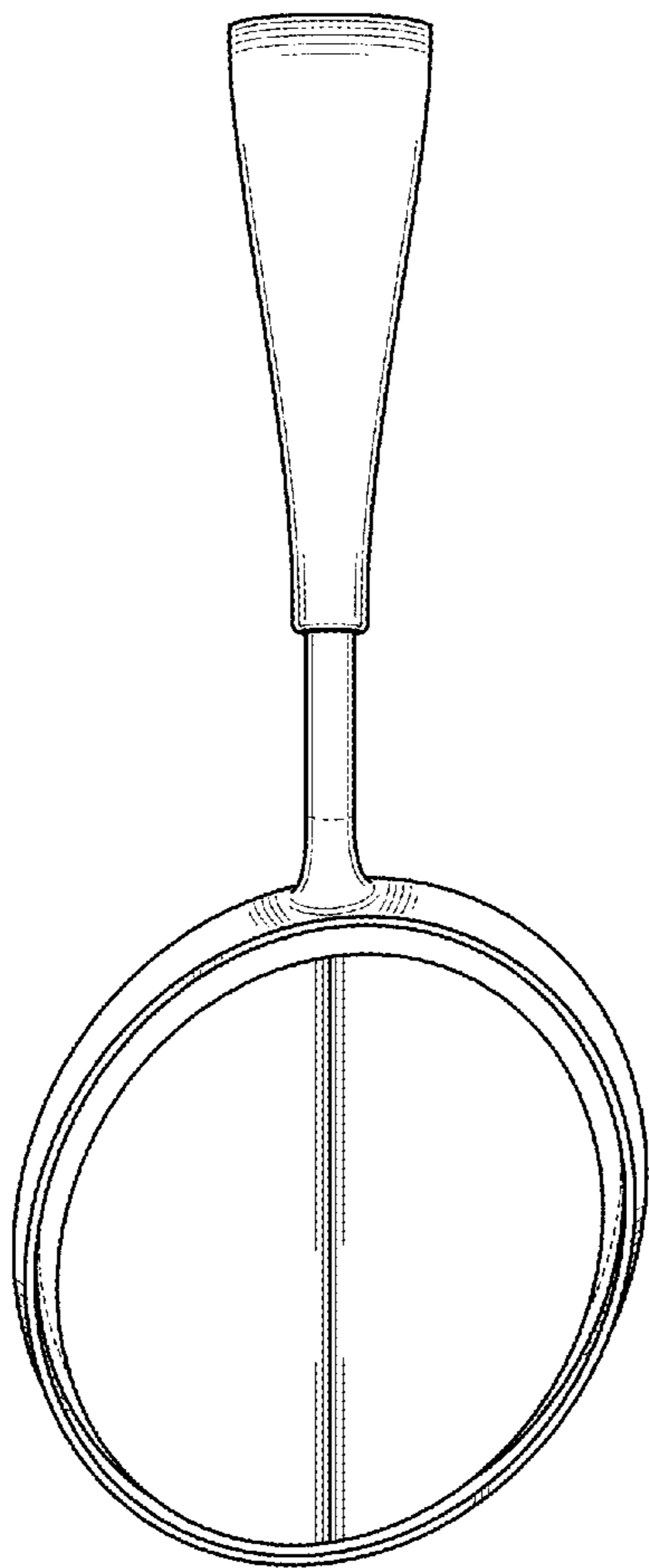


FIG. 6

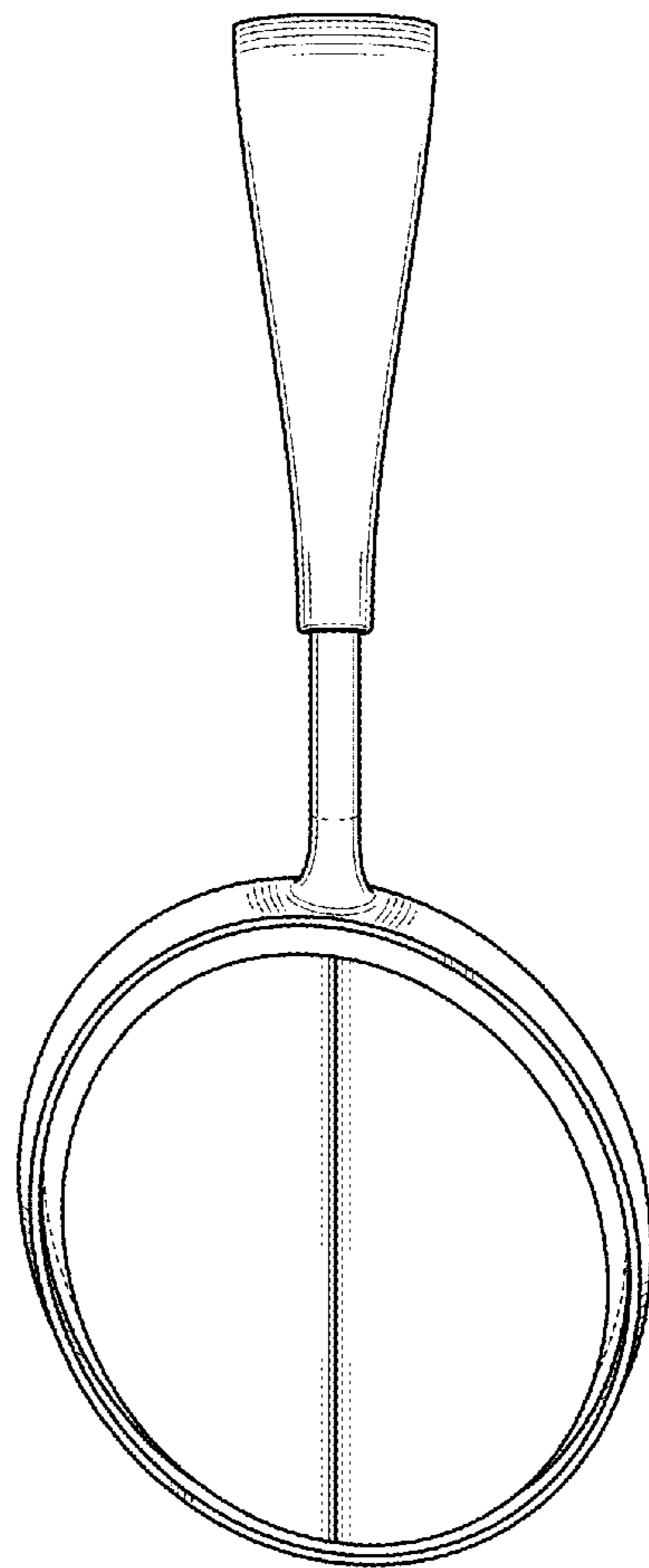


FIG. 7