



US00D840970S

(12) **United States Design Patent** (10) **Patent No.:** **US D840,970 S**
Dryden et al. (45) **Date of Patent:** **** Feb. 19, 2019**

(54) **SET OF HEADPHONES**

(71) Applicant: **Bose Corporation**, Framingham, MA (US)

(72) Inventors: **Joshua Kevin Dryden**, Marlborough, MA (US); **Julie E. Tierney**, Shrewsbury, MA (US); **Nathan David Schaal**, Cambridge, MA (US); **Adam A. Carr**, Southborough, MA (US); **Mitchell Joseph Silva**, Groton, MA (US); **Sebastian Garcia**, Boston, MA (US); **Joel H. Miller**, Westborough, MA (US); **Gustavo Fontana**, Framingham, MA (US); **Stephen D. Boyle**, Newton, MA (US)

(73) Assignee: **Bose Corporation**, Framingham, MA (US)

(**) Term: **15 Years**

(21) Appl. No.: **29/615,473**

(22) Filed: **Aug. 29, 2017**

Related U.S. Application Data

(62) Division of application No. 29/559,974, filed on Apr. 1, 2016, now Pat. No. Des. 810,046.

(51) **LOC (11) Cl.** **14-01**

(52) **U.S. Cl.**
USPC **D14/205**

(58) **Field of Classification Search**
USPC D14/205, 188, 192; 181/129, 130, 135; 379/430, 431; 381/380, 381, 374, 74; 455/90.3, 575.1, 569.1; D29/112; 2/209; D28/41; 132/374, 375
CPC H04R 1/1066; H04R 1/1016; H04R 5/033; H04R 5/0335

See application file for complete search history.

(56) **References Cited**

U.S. PATENT DOCUMENTS

D270,634	S	*	9/1983	Ungar	D14/205
4,571,746	A	*	2/1986	Gorike	H04R 5/0335
						2/209
4,597,469	A	*	7/1986	Nagashima	H04R 5/0335
						181/129
D292,205	S	*	10/1987	Kikutani	381/378
D318,053	S	*	7/1991	Ludeke	D14/205
D328,461	S	*	8/1992	Daido	D14/205
D338,010	S	*	8/1993	Yamatogi	D14/205
D347,434	S	*	5/1994	Yamatogi	D14/205
5,369,857	A	*	12/1994	Sacherman	H04R 5/0335
						29/594
D375,825	S	*	11/1996	Whidden	D2/866
5,835,609	A	*	11/1998	LeGette	A61F 11/14
						381/385

(Continued)

Primary Examiner — Paula Allen Greene

(57) **CLAIM**

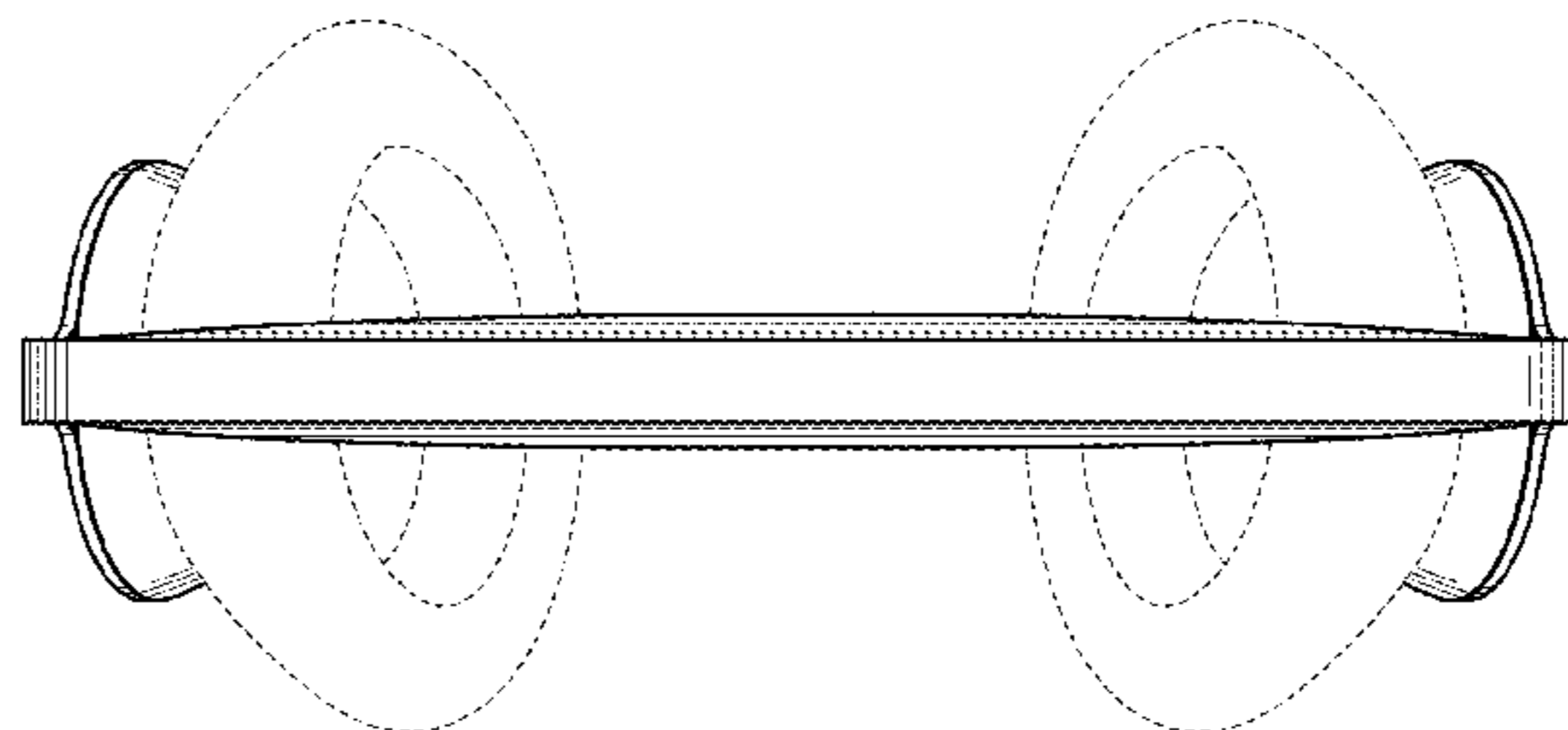
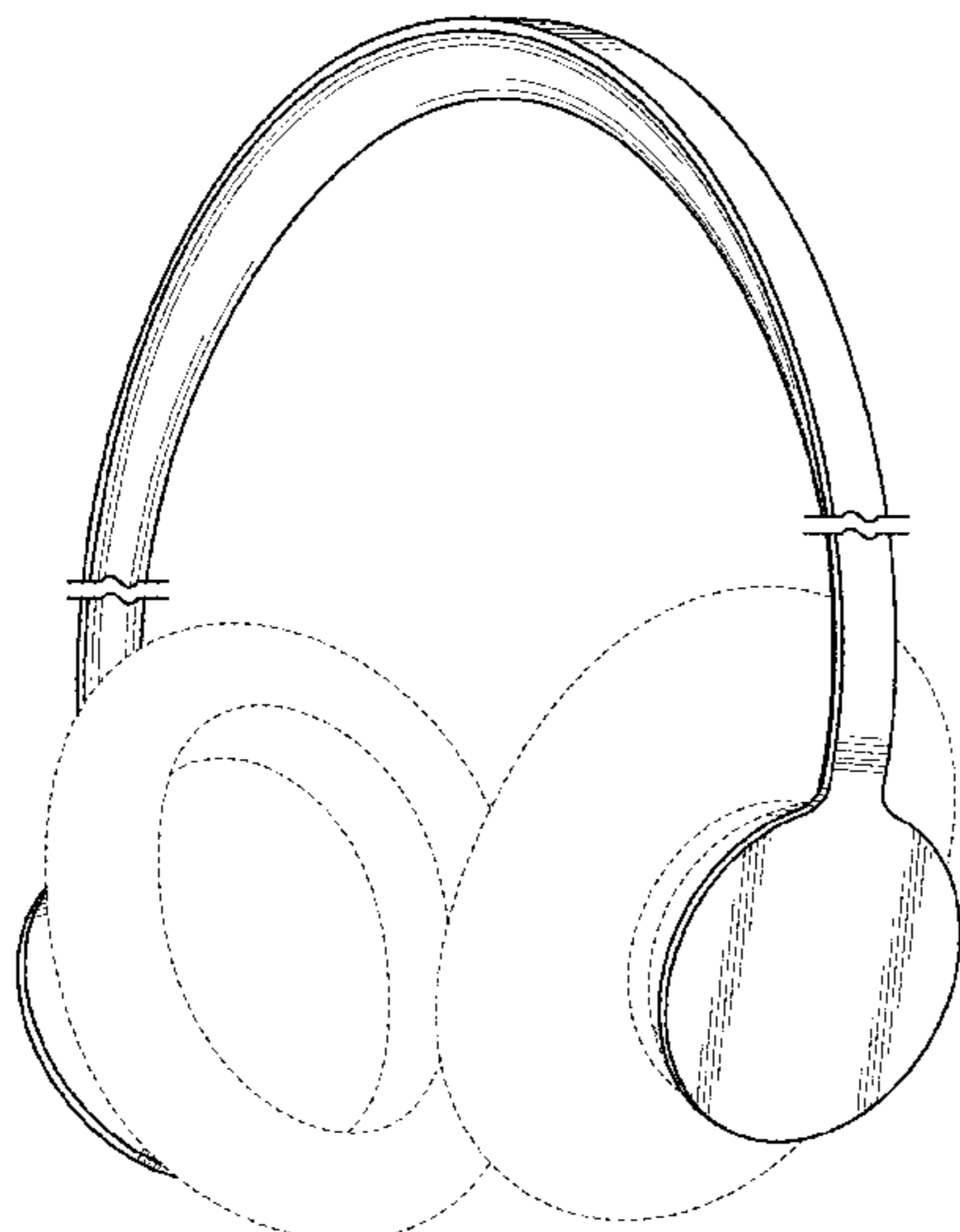
The ornamental design for set of headphones, substantially as shown and described.

DESCRIPTION

FIG. 1 is a perspective view of a set of headphones as seen from the front and left side;
FIG. 2 is a front view thereof;
FIG. 3 is a back view thereof;
FIG. 4 is a top view thereof;
FIG. 5 is a bottom view thereof;
FIG. 6 is a right side view thereof; and,
FIG. 7 is a left side view thereof.

The dotted line portions of the drawings represent environmental structure only and do not form part of the claimed design. The set of headphones headband is shown with a symbolic break in its length. The appearance of any portion of the article between the break lines forms no part of the claimed design.

1 Claim, 5 Drawing Sheets



(56)

References Cited

U.S. PATENT DOCUMENTS

D409,197	S *	5/1999	Nakamura	D14/205
D435,249	S *	12/2000	Yasutomi	D14/205
D439,574	S *	3/2001	Katayama	D14/192
D473,539	S *	4/2003	O'Leary	D14/205
D484,485	S *	12/2003	Matsuoka	D14/205
D505,411	S *	5/2005	Sakai	D14/192
D534,155	S *	12/2006	Obata	D14/205
D534,156	S *	12/2006	Obata	D14/205
D560,654	S *	1/2008	Feng	D14/205
D573,581	S *	7/2008	Gondo	D14/205
D593,995	S *	6/2009	Shimizu	D14/205
D625,705	S *	10/2010	Ohori	D14/205
D632,668	S *	2/2011	Brunner	D14/205
D657,344	S *	4/2012	Brunner	D14/205
D666,579	S *	9/2012	Hou	D14/205
D673,136	S *	12/2012	Kelly	D14/205
D673,520	S *	1/2013	Tan	D14/205
D675,595	S *	2/2013	Cho	D14/205
D678,860	S *	3/2013	Hagelin	D14/205
D683,329	S *	5/2013	Hagelin	D14/205
D684,141	S *	6/2013	Takamoto	D14/205
D688,648	S *	8/2013	Li	D14/205
9,031,254	B2 *	5/2015	Heise	H04R 1/1066 379/55.1
D743,369	S *	11/2015	Mackiewicz	D14/205
D763,226	S *	8/2016	Petersen	D14/205
D791,733	S *	7/2017	Brunner	D14/205
D794,602	S *	8/2017	Riggs	D14/205
D810,046	S *	2/2018	Dryden	D14/205
9,933,995	B2 *	4/2018	Wolti	G06F 1/163
D826,894	S *	8/2018	Zhang	D14/205
2016/0192049	A1 *	6/2016	Kelly	H04R 1/06 381/384

* cited by examiner

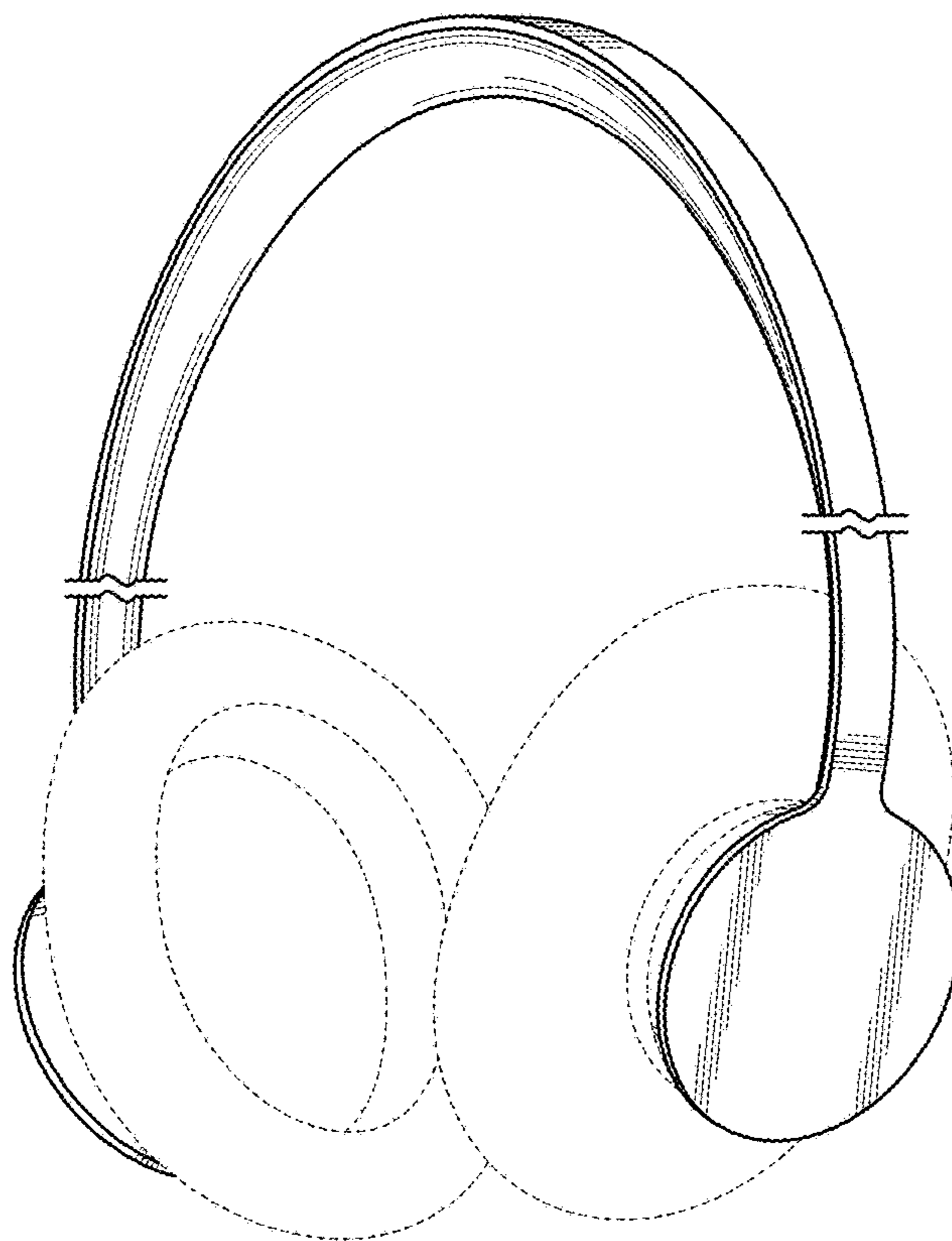


FIG. 1

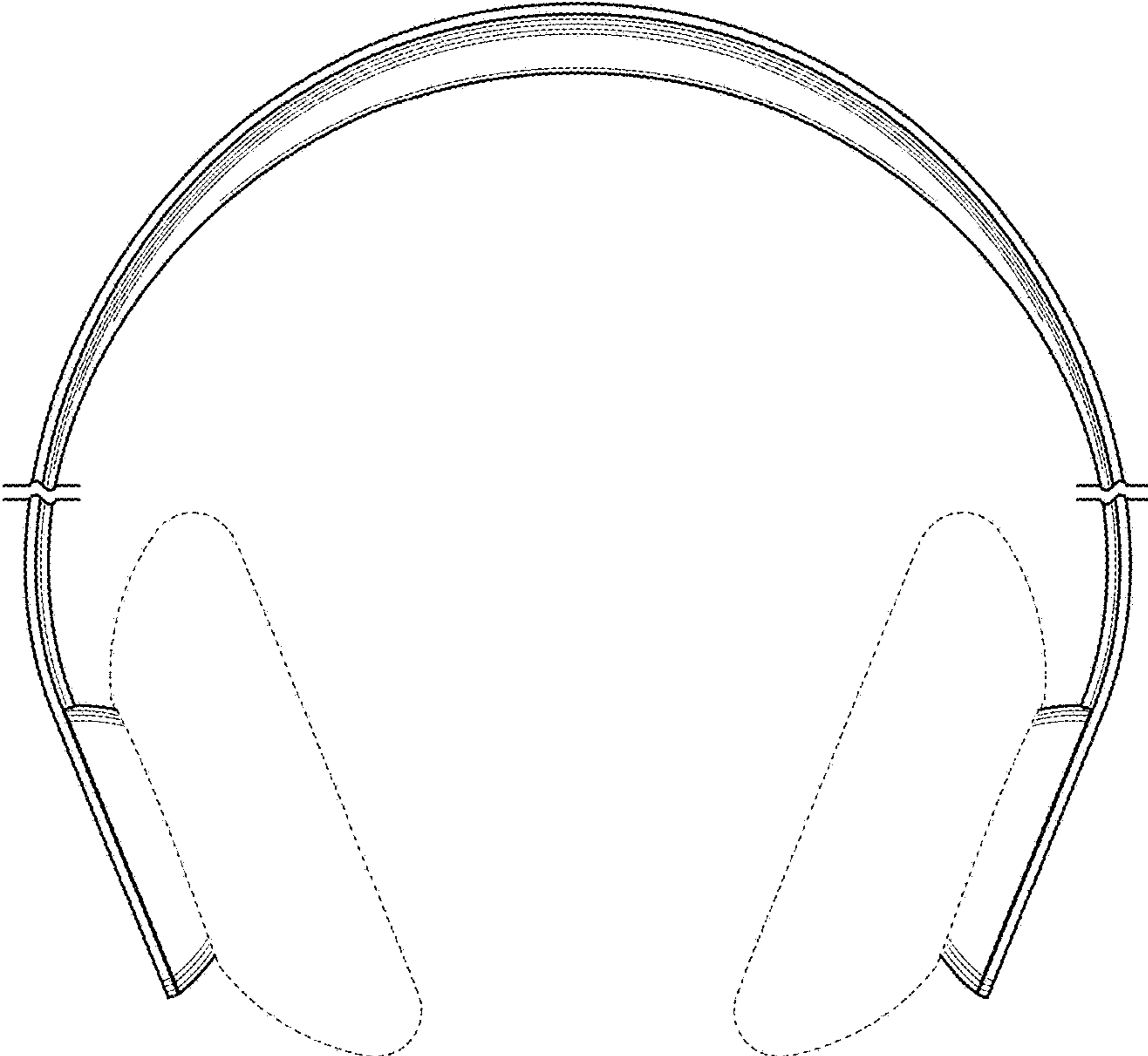


FIG. 2

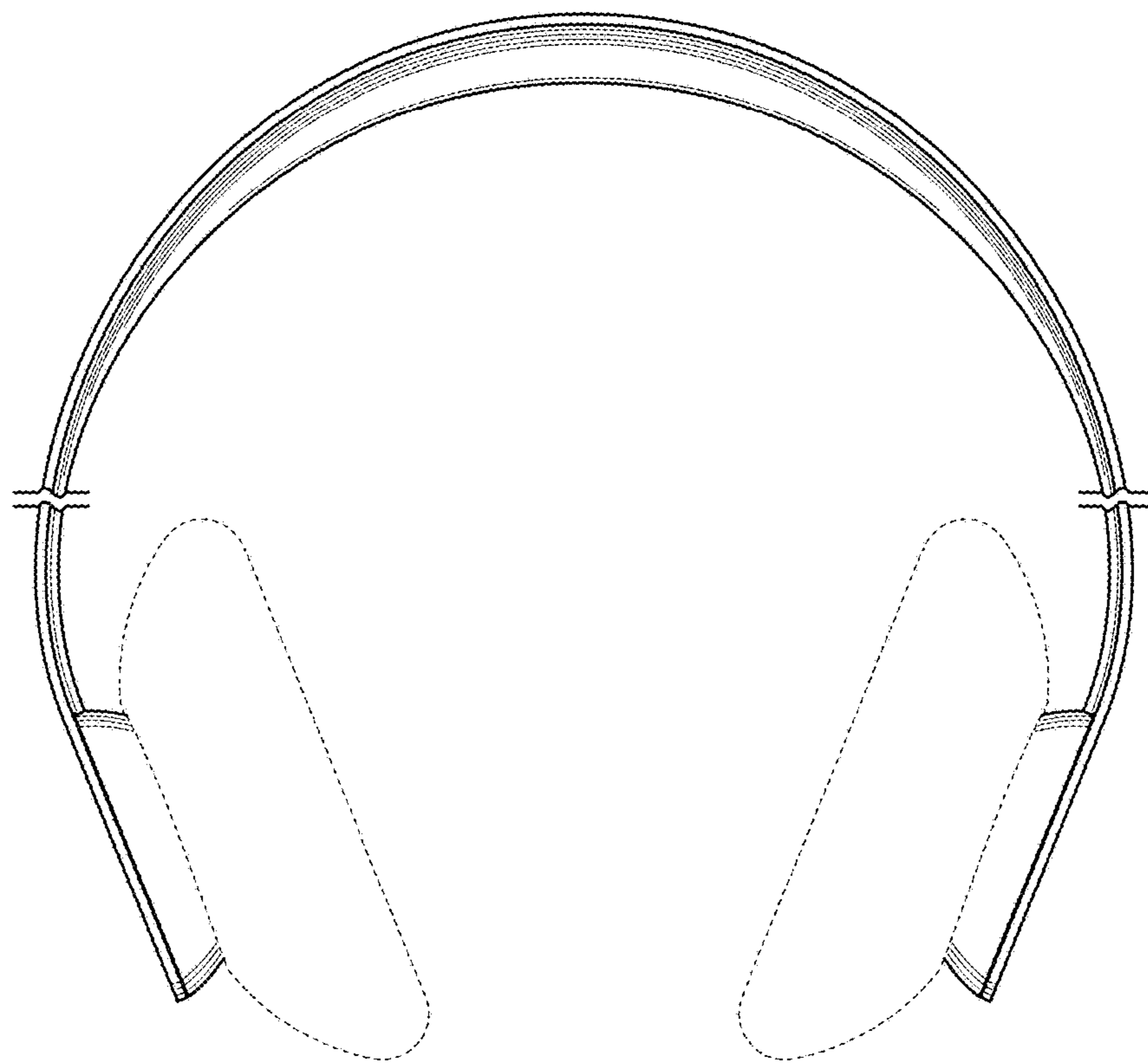


FIG. 3

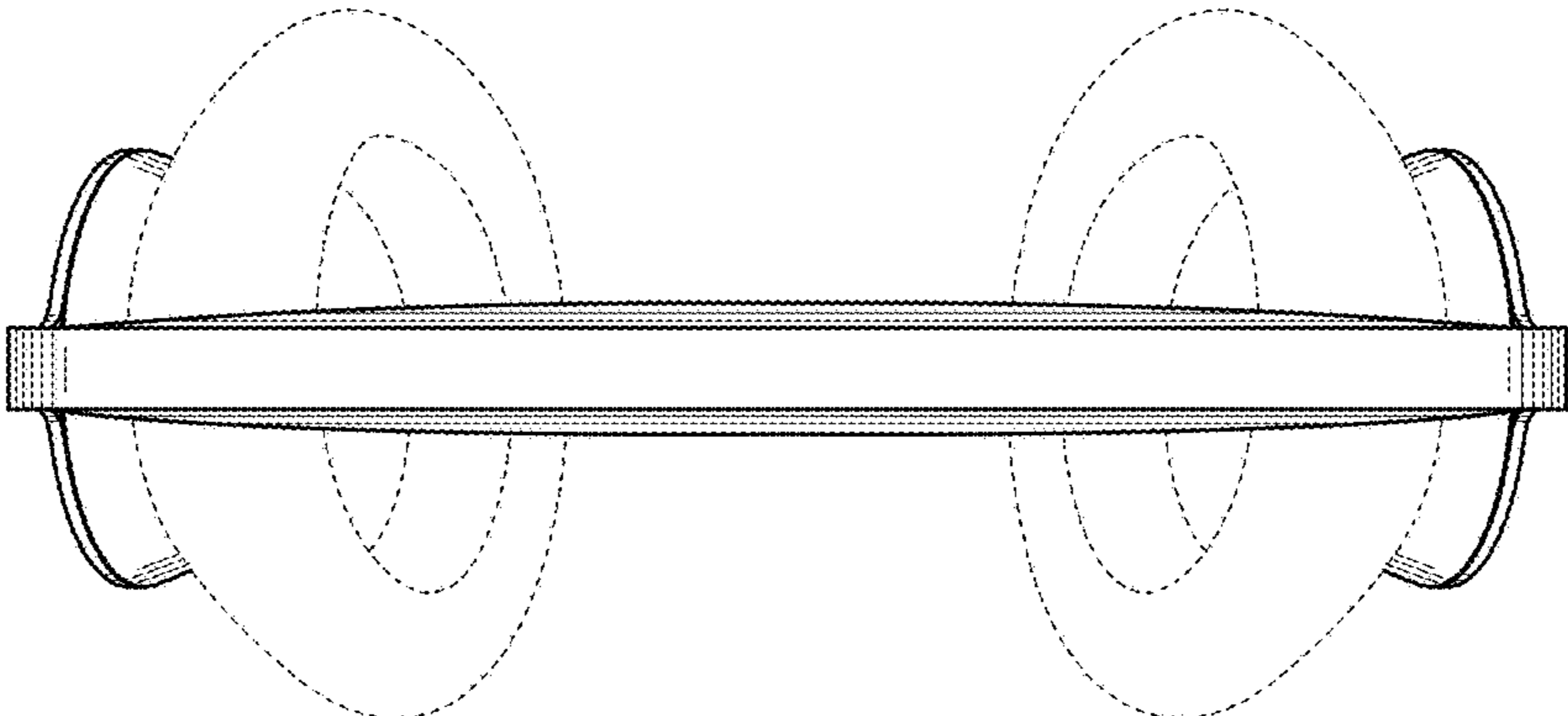


FIG. 4

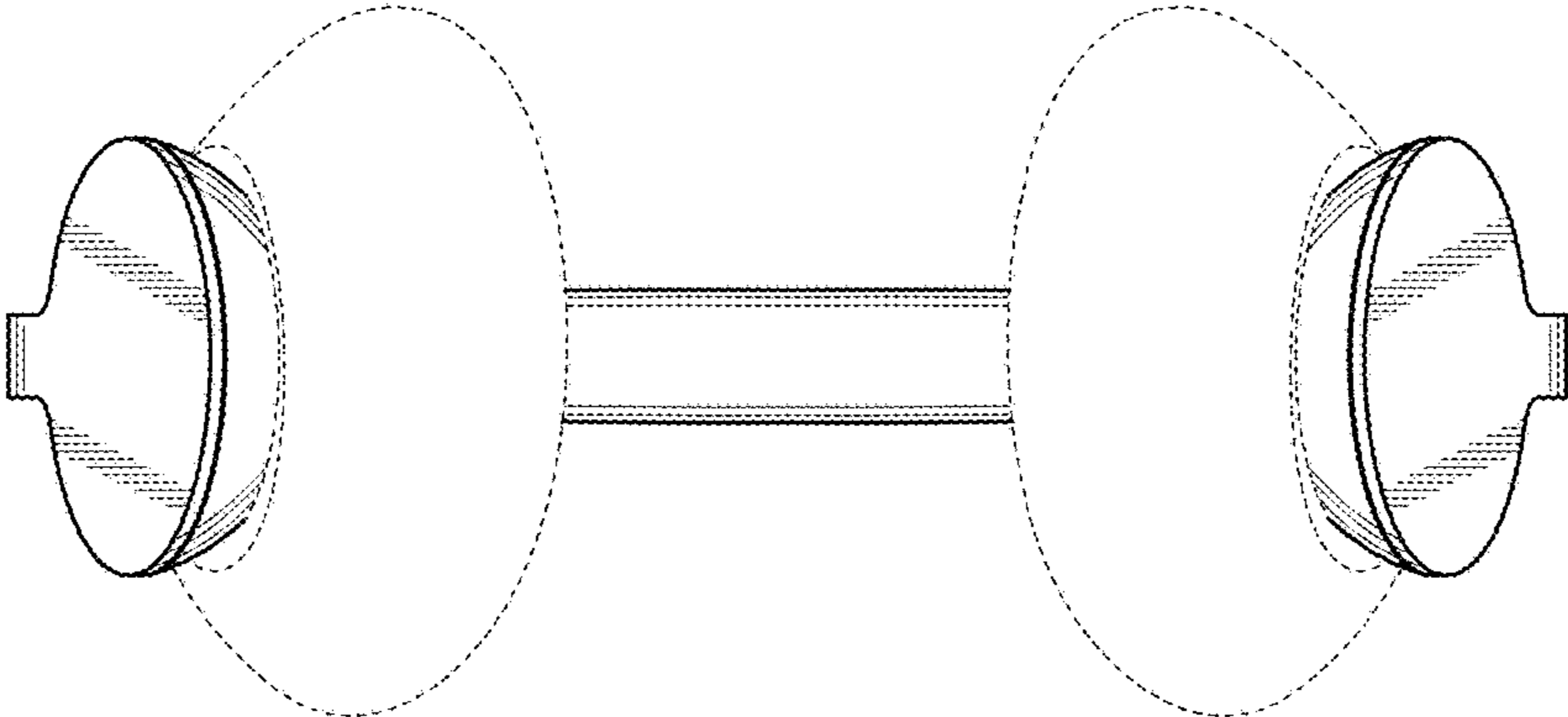


FIG. 5

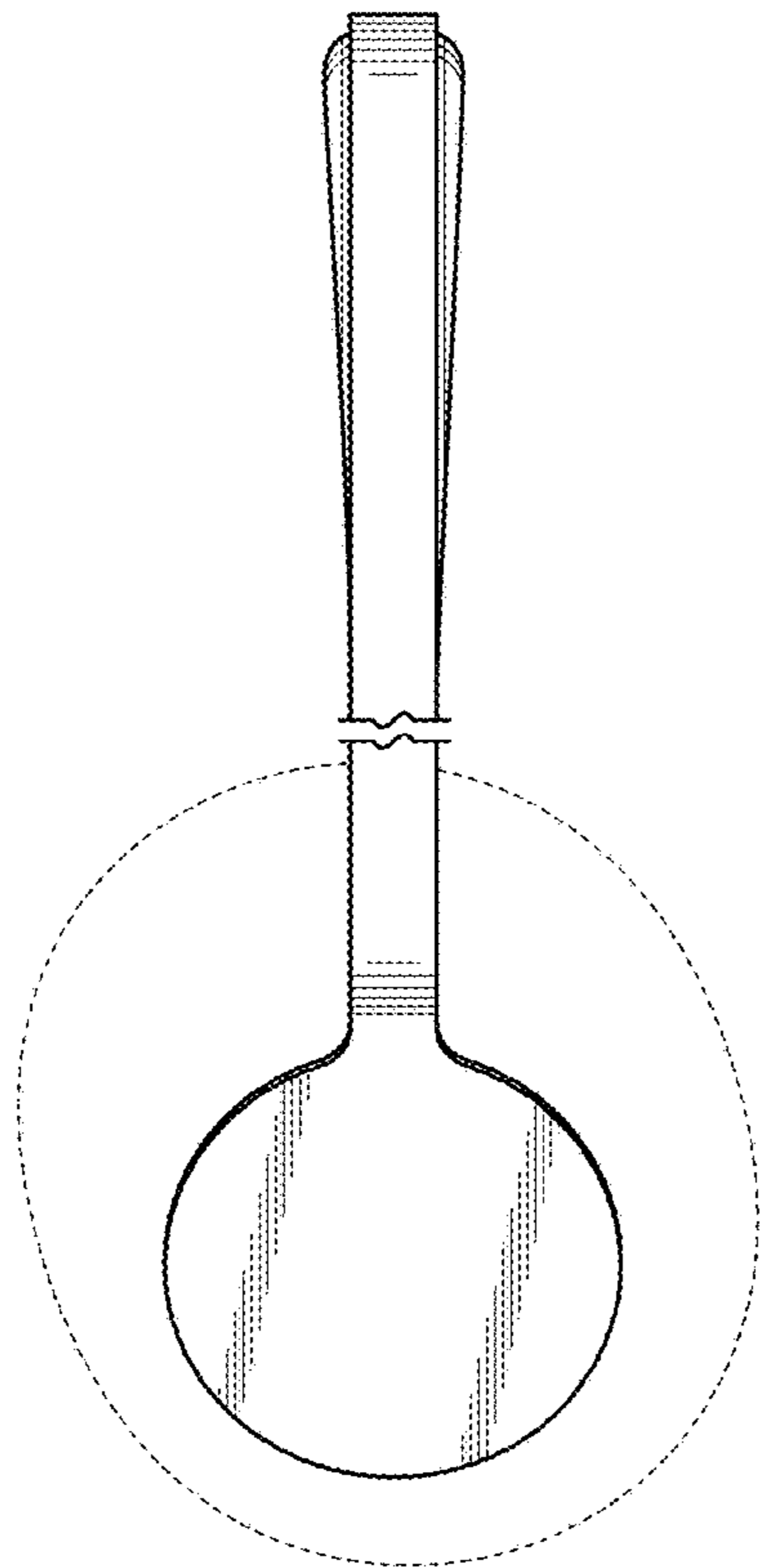


FIG. 6

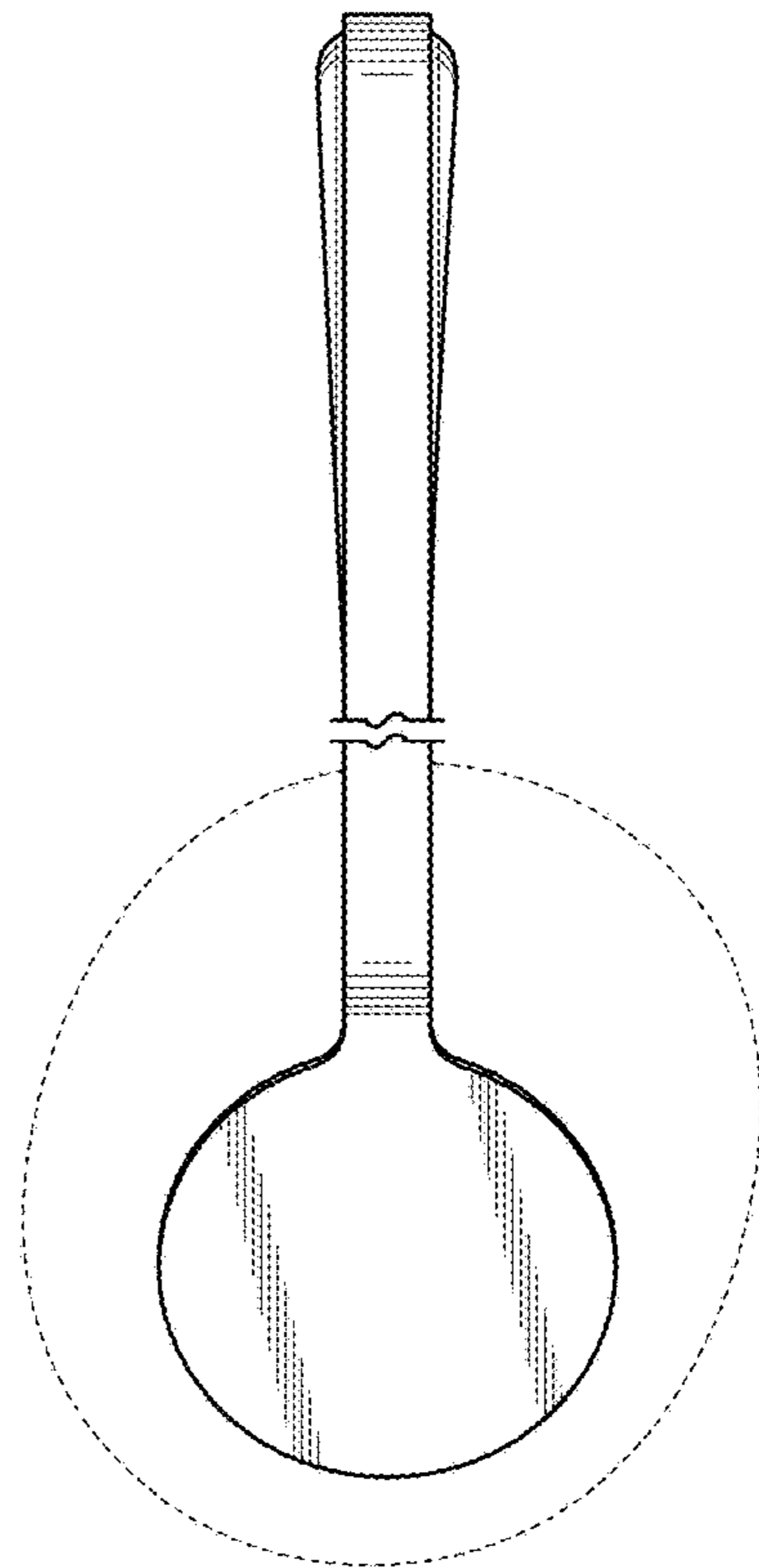


FIG. 7