



US00D840965S

(12) **United States Design Patent** (10) **Patent No.:** **US D840,965 S**
Ke (45) **Date of Patent:** **** Feb. 19, 2019**

- (54) **BABY MONITOR**
- (71) Applicant: **Shenzhen Unixe Electronics Technology Co. Ltd.**, Shenzhen, Guangdong (CN)
- (72) Inventor: **Wei Ke**, Guangdong (CN)
- (73) Assignee: **Shenzhen Unixe Electronics Technology Co., Limited**, Shenzhen (CN)
- (**) Term: **15 Years**
- (21) Appl. No.: **29/586,598**
- (22) Filed: **Dec. 5, 2016**
- (51) **LOC (11) Cl.** **14-03**
- (52) **U.S. Cl.**
USPC **D14/159; D16/203**
- (58) **Field of Classification Search**
USPC **D14/159; D16/203, 202**
CPC **H04N 7/183**
See application file for complete search history.

D746,350 S *	12/2015	Li	D16/203
D747,383 S *	1/2016	Li	D16/203
D763,817 S *	8/2016	Deng	D14/159
D776,740 S *	1/2017	Okawa	D16/203
9,794,526 B2 *	10/2017	Paula-Molina	H04N 7/183
D803,920 S *	11/2017	Shin	D16/203
D810,169 S *	2/2018	Bhattacharya	D16/203
D815,177 S *	4/2018	Jeong	D16/203
D816,142 S *	4/2018	Song	D16/203
D818,027 S *	5/2018	Ravat	D16/203

* cited by examiner

Primary Examiner — George D. Kirschbaum
(74) *Attorney, Agent, or Firm* — ScienBiziP, P.C.

(57) **CLAIM**

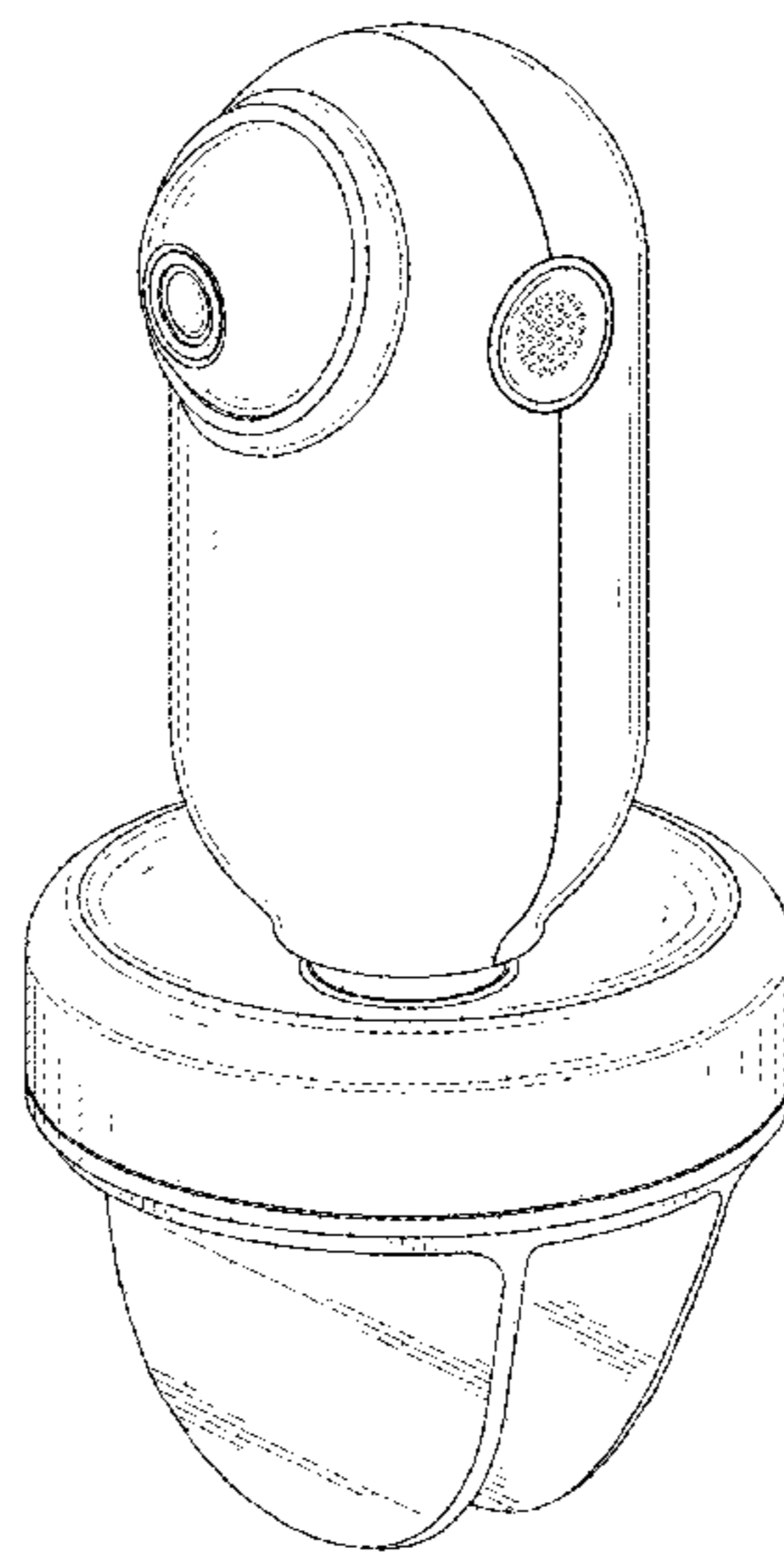
The ornamental design for a baby monitor, as shown and described.

DESCRIPTION

FIG. 1 is a perspective view of a baby monitor showing my new design;
FIG. 2 is a front elevational view thereof;
FIG. 3 is a rear elevational view thereof;
FIG. 4 is a left side view thereof;
FIG. 5 is a right side view thereof;
FIG. 6 is a top plan view thereof; and,
FIG. 7 is a bottom plan view thereof.
The broken lines in the drawings illustrate portions of the baby monitor which form no part of the claimed design.

1 Claim, 7 Drawing Sheets

- (56) **References Cited**
U.S. PATENT DOCUMENTS
D545,860 S * 7/2007 Miyazaki D16/202
D644,259 S * 8/2011 Barley D16/203
D716,753 S * 11/2014 Deng D14/159
D743,467 S * 11/2015 Bhattacharya D16/203



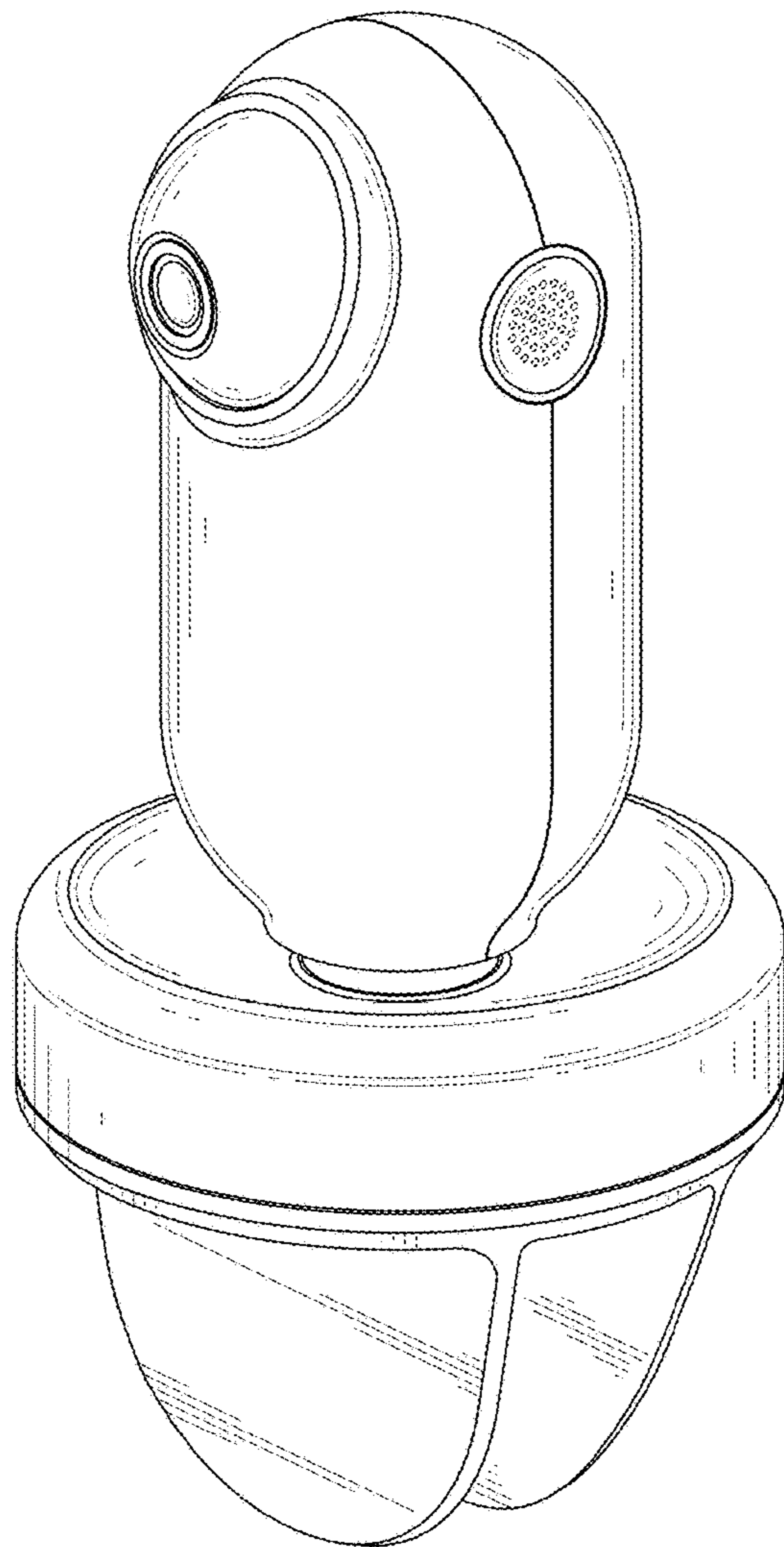


FIG. 1

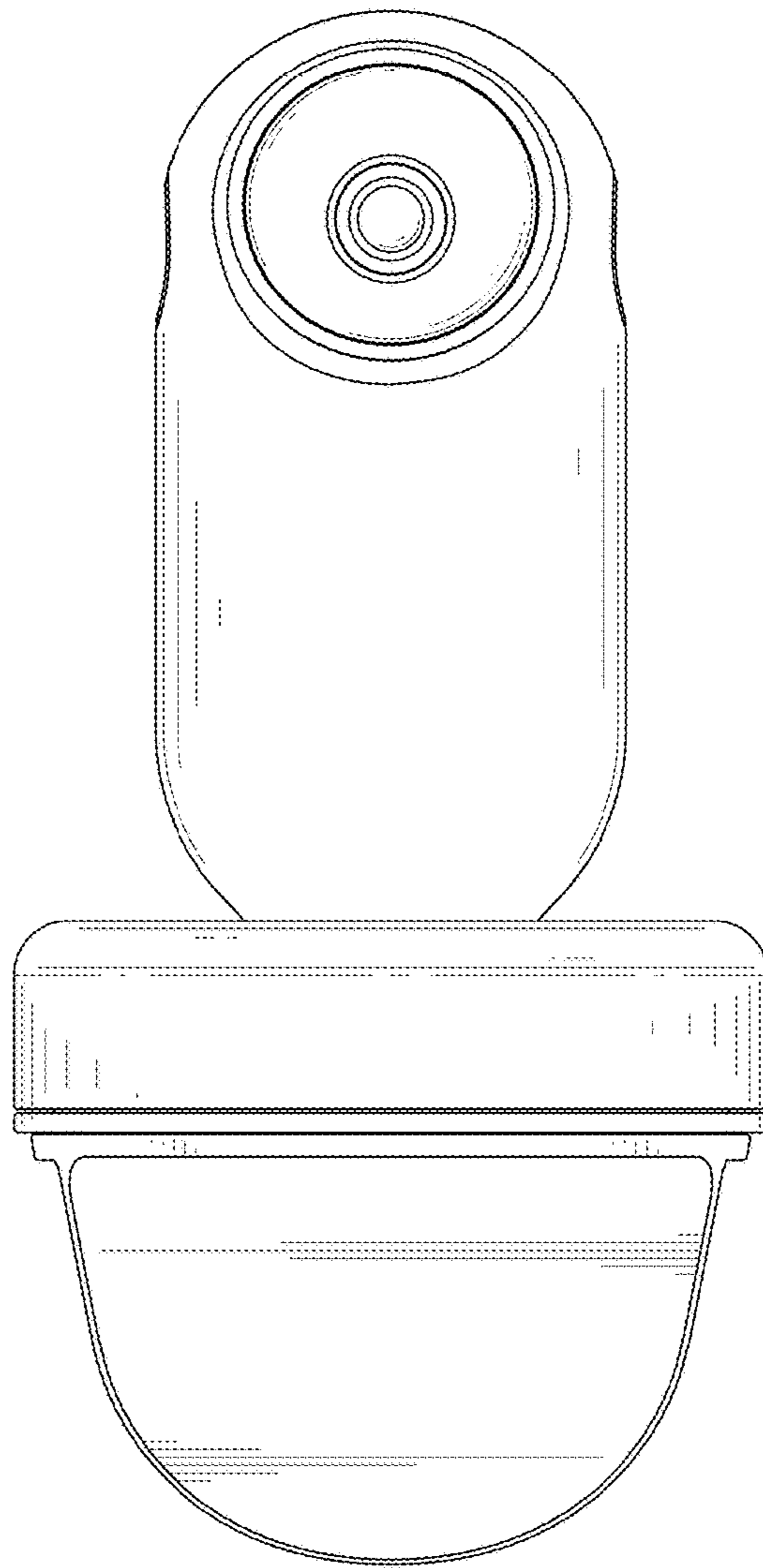


FIG. 2

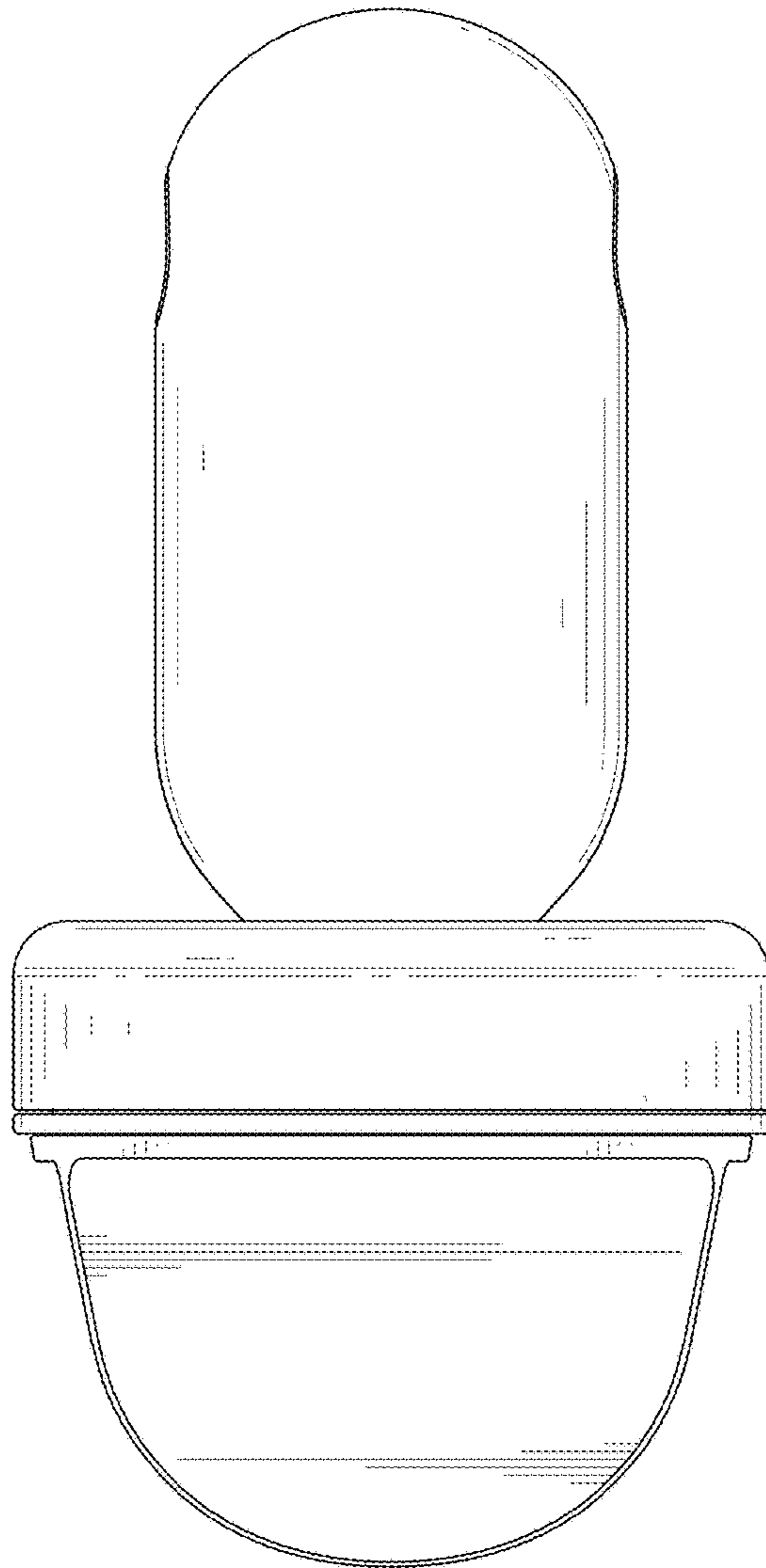


FIG. 3

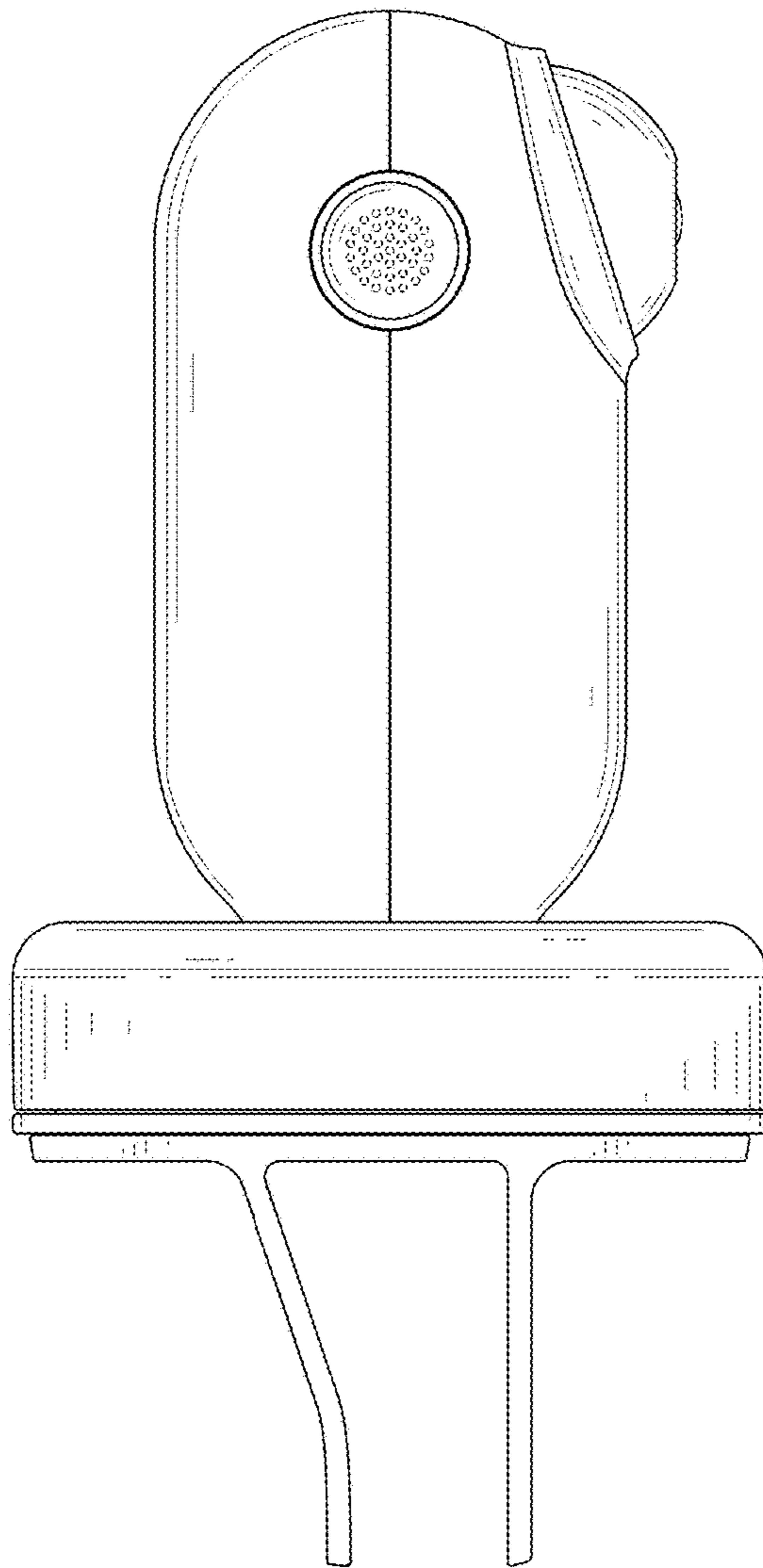


FIG. 4

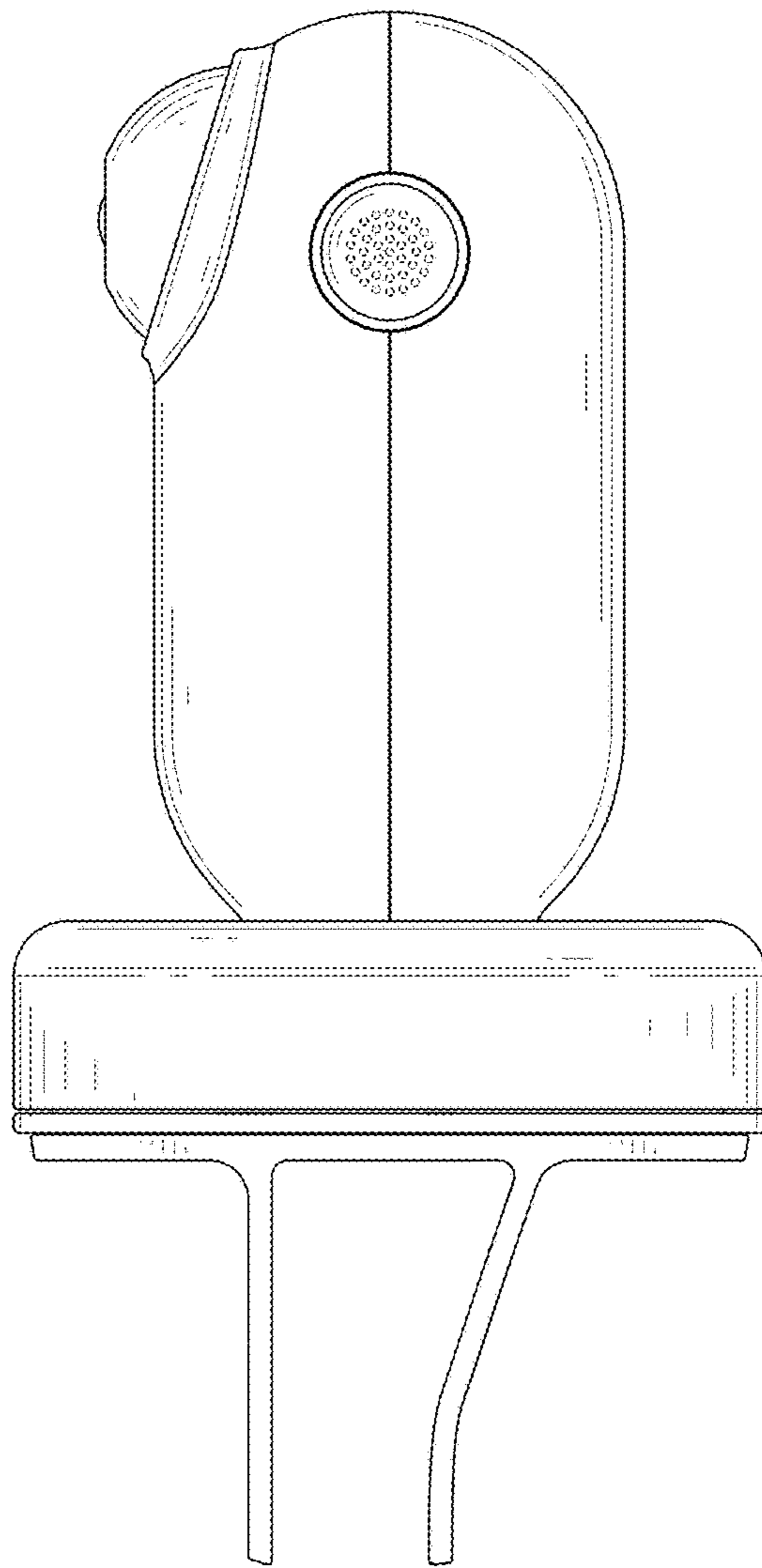


FIG. 5

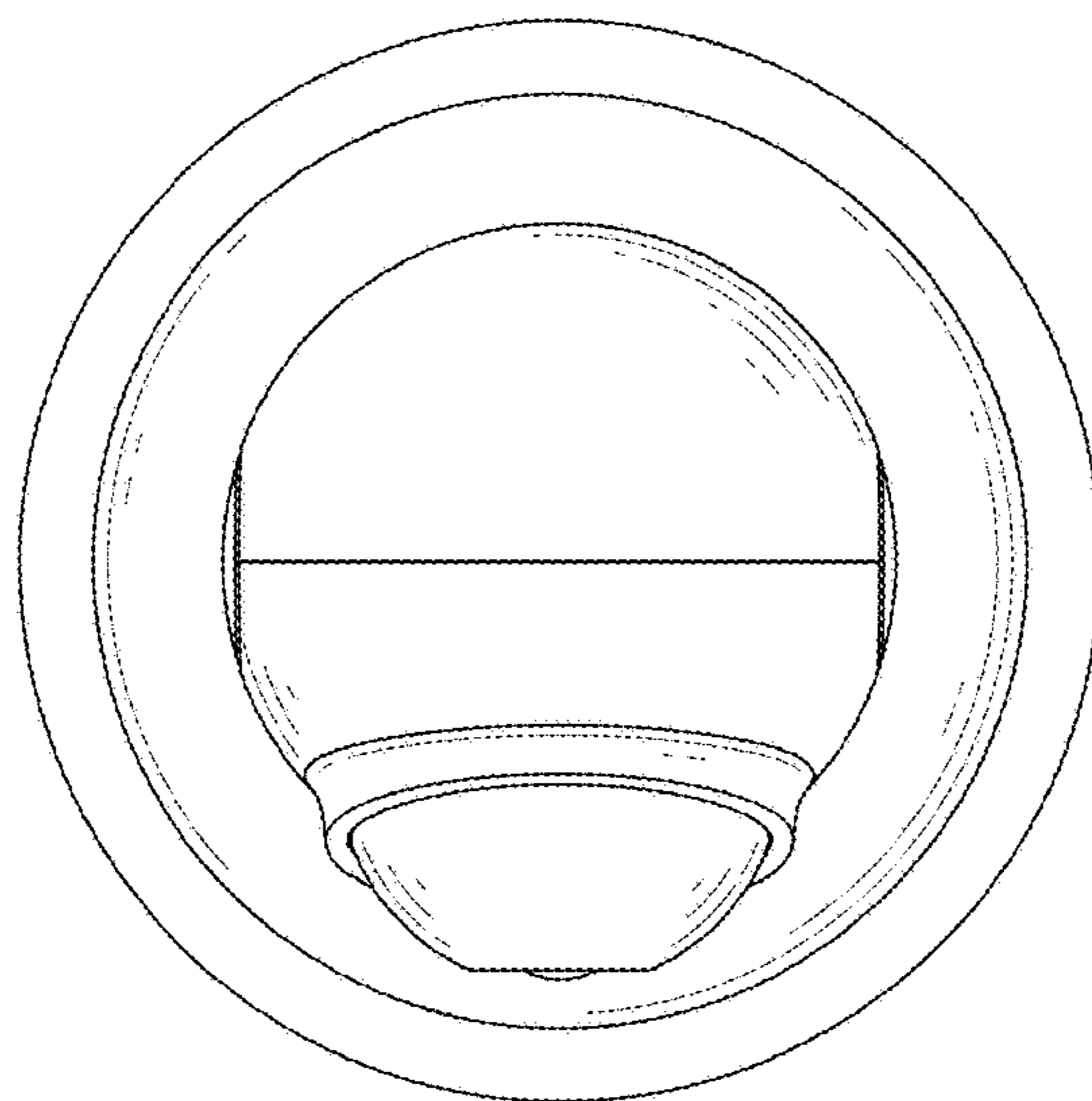


FIG. 6

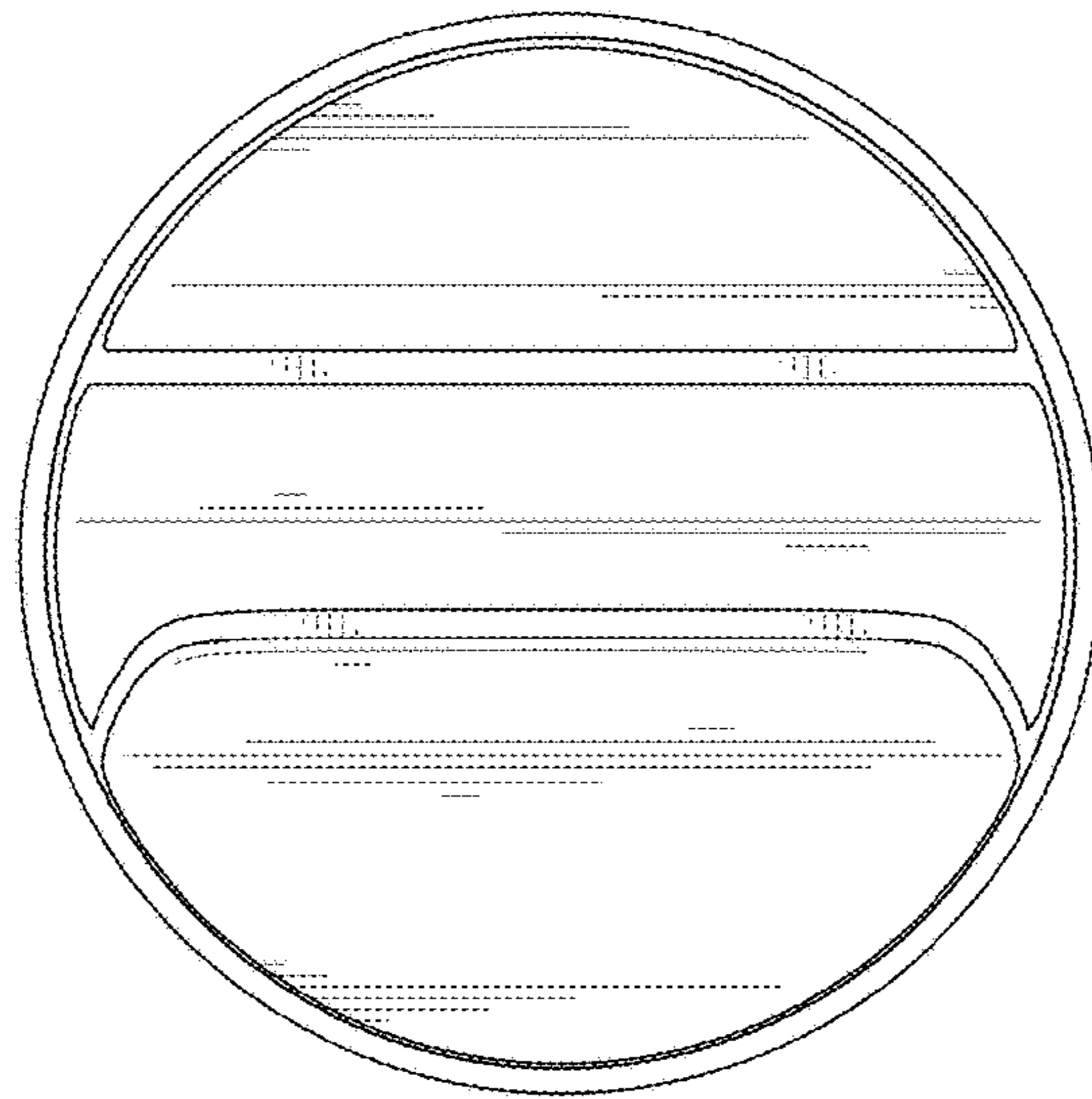


FIG. 7