

US00D840956S

(12) **United States Design Patent** (10) **Patent No.:** **US D840,956 S**
Wiese et al. (45) **Date of Patent:** **** *Feb. 19, 2019**

(54) **PUSH BUTTON**
(71) Applicant: **EATON ELECTRICAL IP GMBH & CO. KG**, Schönefeld (DE)
(72) Inventors: **Artur Wiese**, Bornheim (DE); **Sanan Deepak**, Bonn (DE)
(73) Assignee: **EATON INTELLIGENT POWER LIMITED**, Dublin (IE)

D570,300 S * 6/2008 Weinberg D13/174
D581,363 S * 11/2008 Cummings D13/151
D581,364 S * 11/2008 Cummings D13/151
7,449,646 B1 * 11/2008 Wechtenhiser H01H 35/245
200/81 H
D596,144 S * 7/2009 Zheng D13/171
D617,178 S * 6/2010 Sakai D14/299
D629,366 S * 12/2010 Ericson D13/156
D636,350 S * 4/2011 Rodriguez D13/164
D636,771 S * 4/2011 Green D14/247
8,188,842 B2 * 5/2012 Otsuka G08C 17/02
340/12.15
D709,461 S * 7/2014 Dahl D13/156
D720,705 S * 1/2015 Gratz D13/177
D726,161 S * 4/2015 Howard D14/218
D729,773 S * 5/2015 Salojarvi D14/218
D733,078 S * 6/2015 Wu D13/171
D734,138 S * 7/2015 Hurrle D8/387
D736,722 S * 8/2015 Chu D13/171
D739,361 S * 9/2015 Wenji D13/171
D741,271 S * 10/2015 Noack D13/174
D744,432 S * 12/2015 Kim D13/154
D750,047 S * 2/2016 Chang D14/218
D751,997 S * 3/2016 Takahashi D13/174
D752,588 S * 3/2016 Li D14/385
D754,078 S * 4/2016 Baldwin D13/156

(*) Notice: This patent is subject to a terminal disclaimer.

(**) Term: **15 Years**

(21) Appl. No.: **35/500,724**

(22) Filed: **Oct. 8, 2015**

(80) **Hague Agreement Data**

Int. Filing Date: **Oct. 8, 2015**
Int. Reg. No.: **DM/089656**
Int. Reg. Date: **Oct. 8, 2015**
Int. Reg. Pub. Date: **Mar. 18, 2016**

(51) **LOC (11) Cl.** **13-03**

(52) **U.S. Cl.**
USPC **D13/173**

(58) **Field of Classification Search**
USPC D13/173, 177, 199, 174, 133, 169, 156,
D13/171, 154, 151, 164; D14/188, 300,
D14/218, 456, 299, 247; D8/387;
340/12.15; 200/523, 81 H
CPC G08C 17/02; H01H 13/564; H01H 35/245
See application file for complete search history.

(56) **References Cited**

U.S. PATENT DOCUMENTS

D339,570 S * 9/1993 Dwyer D13/173
D402,269 S * 12/1998 Waters D13/171
D514,584 S * 2/2006 Summit D14/456

(Continued)

Primary Examiner — Rhea Shields
(74) *Attorney, Agent, or Firm* — Slater Matsil, LLP

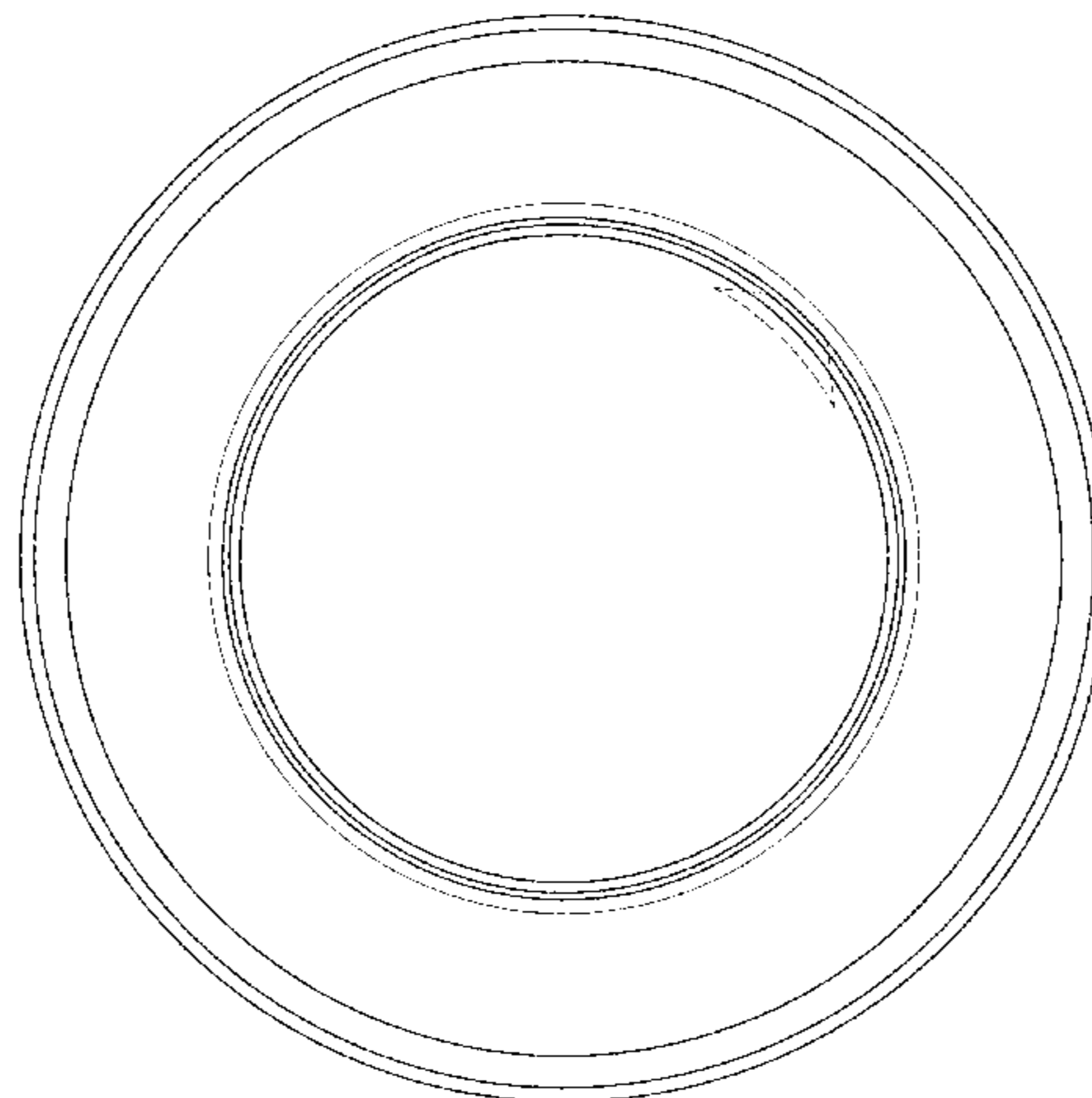
(57) **CLAIM**

The ornamental design for a push button, as shown and described.

DESCRIPTION

- 1. Push buttons
- 1.1 : Top
- 1.2 : Perspective
- 1.3 : Front
- 1.4 : Right
- 1.5 : Back
- 1.6 : Left
- 1.7 : Bottom

1 Claim, 7 Drawing Sheets



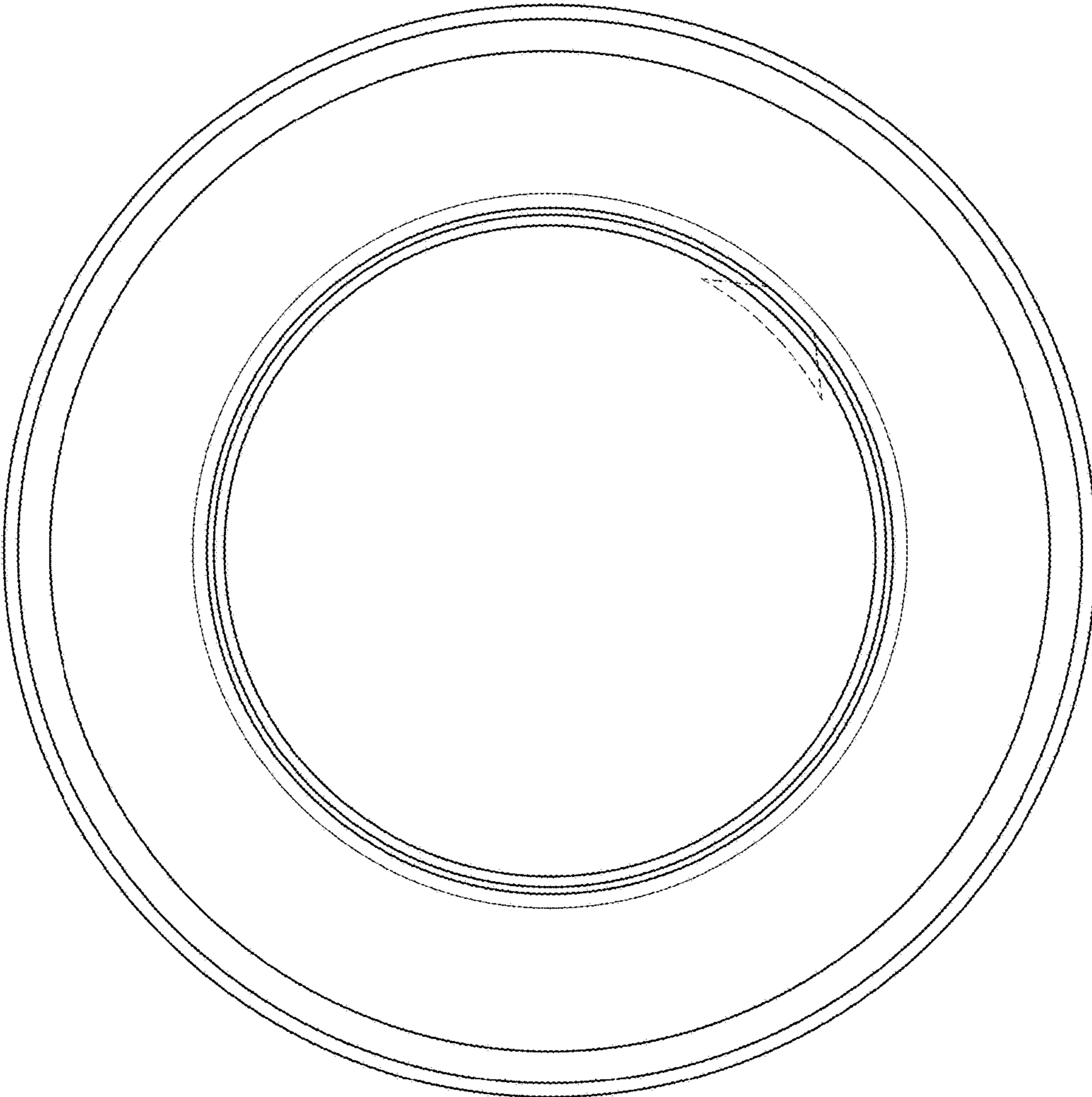
(56)

References Cited

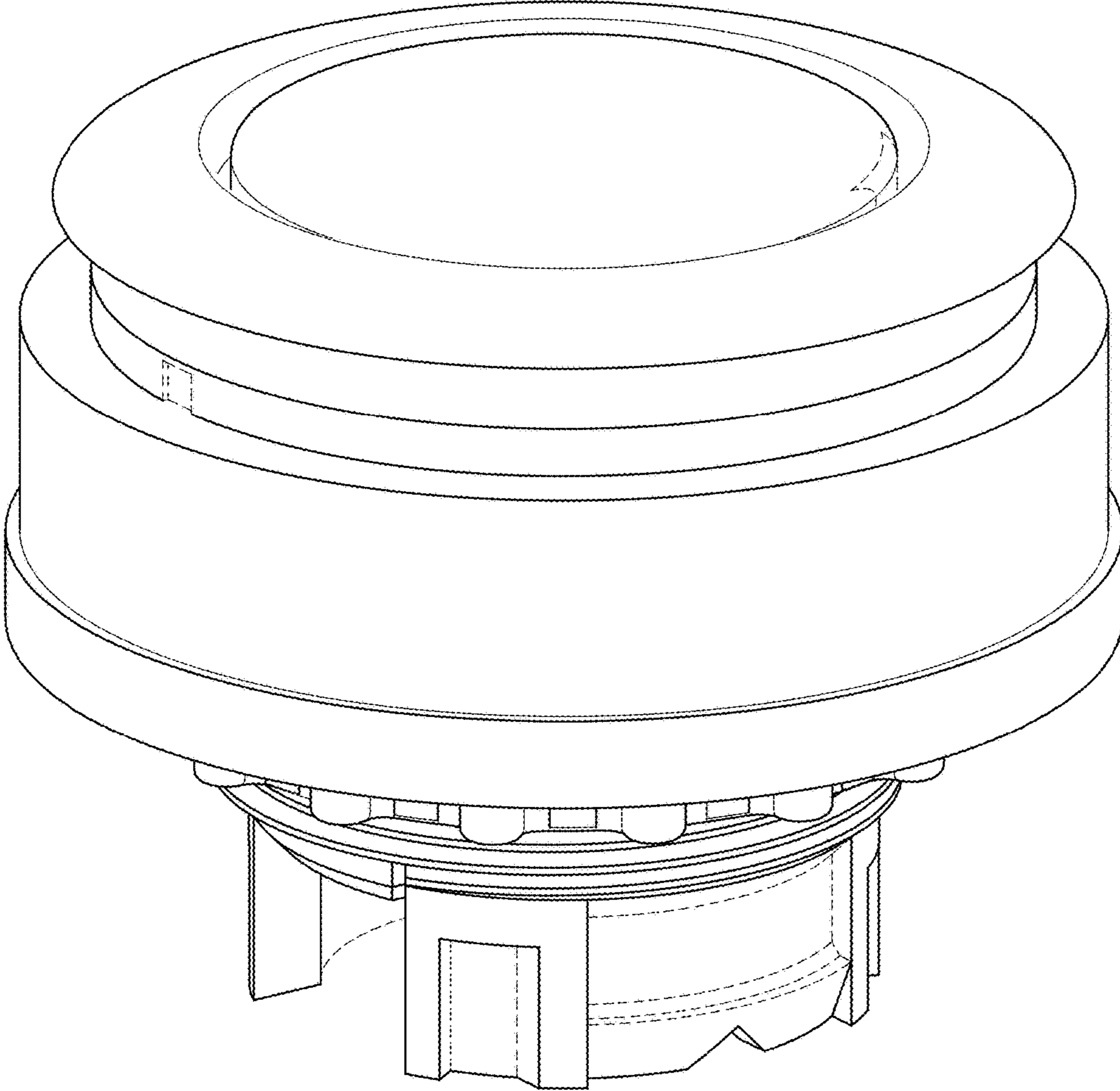
U.S. PATENT DOCUMENTS

D765,611 S *	9/2016	Kaliauer	D13/177
D765,614 S *	9/2016	Obong	D13/199
D768,583 S *	10/2016	Dorn	D13/174
D768,626 S *	10/2016	Mikelson	D14/300
D772,873 S *	11/2016	Kowal	D14/188
D777,106 S *	1/2017	Katagiyama	D13/133
D777,120 S *	1/2017	Takahashi	D13/174
D778,845 S *	2/2017	Font Gasulla	D13/169
2002/0157935 A1 *	10/2002	Bonn	H01H 13/564 200/523

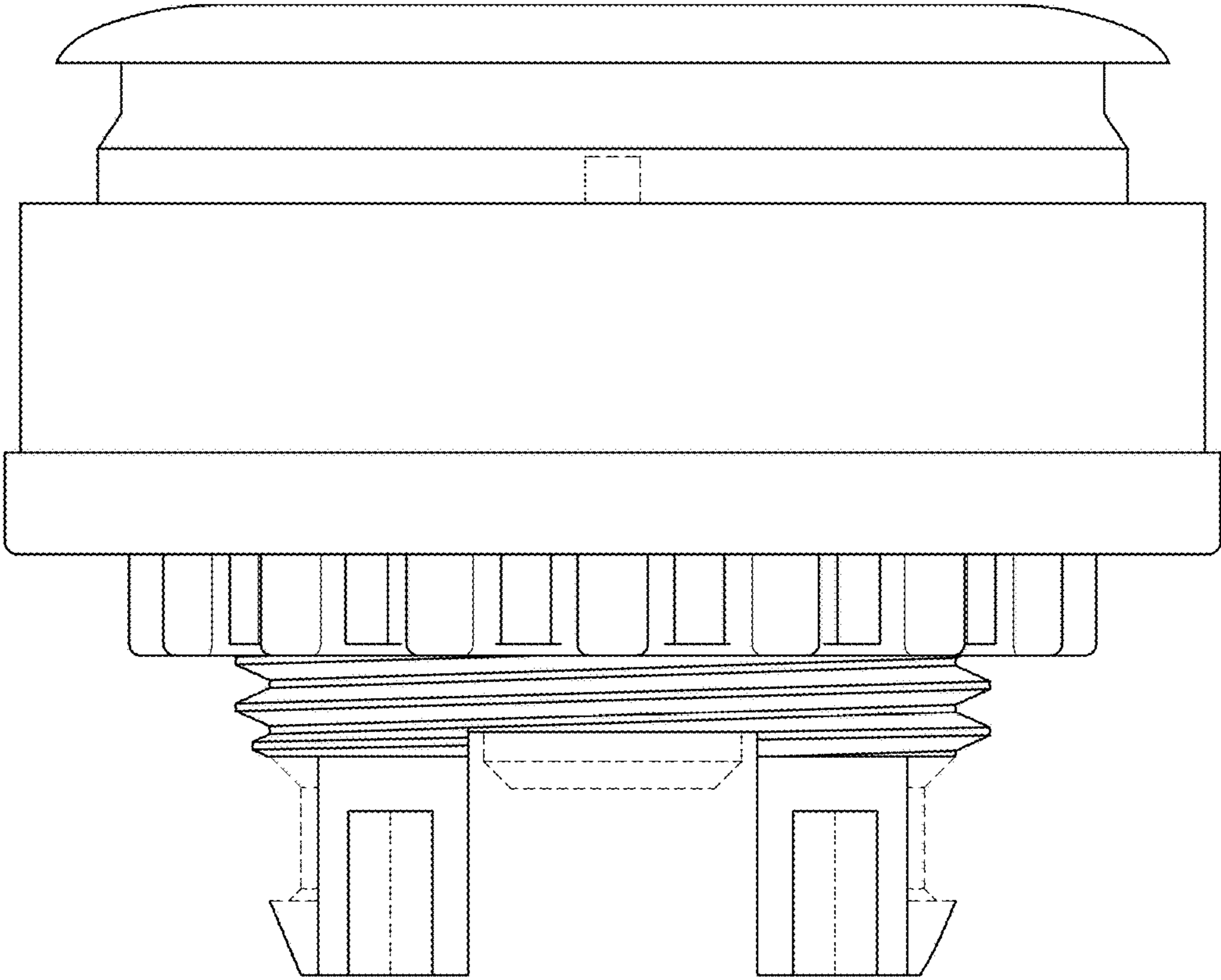
* cited by examiner



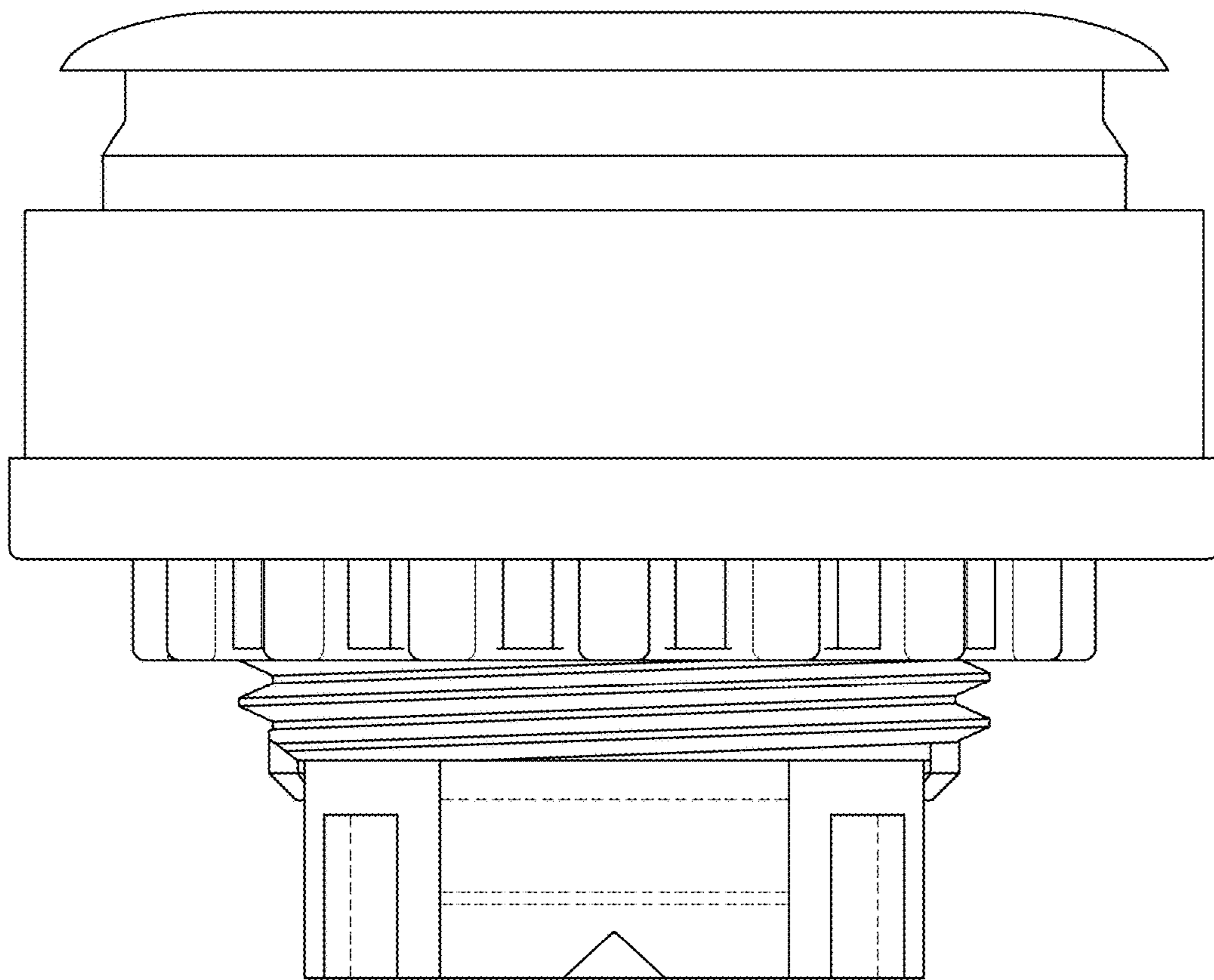
1.1



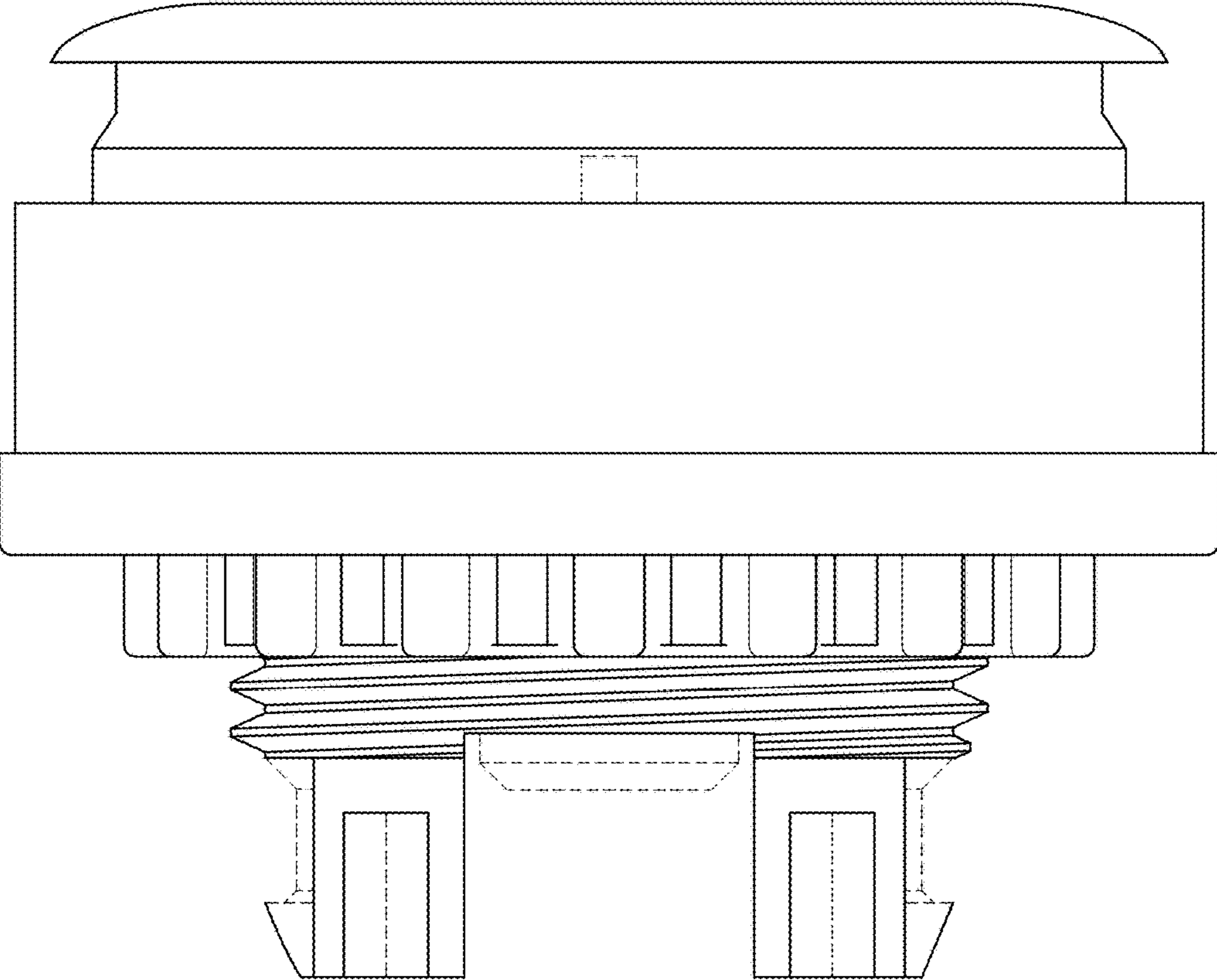
1.2



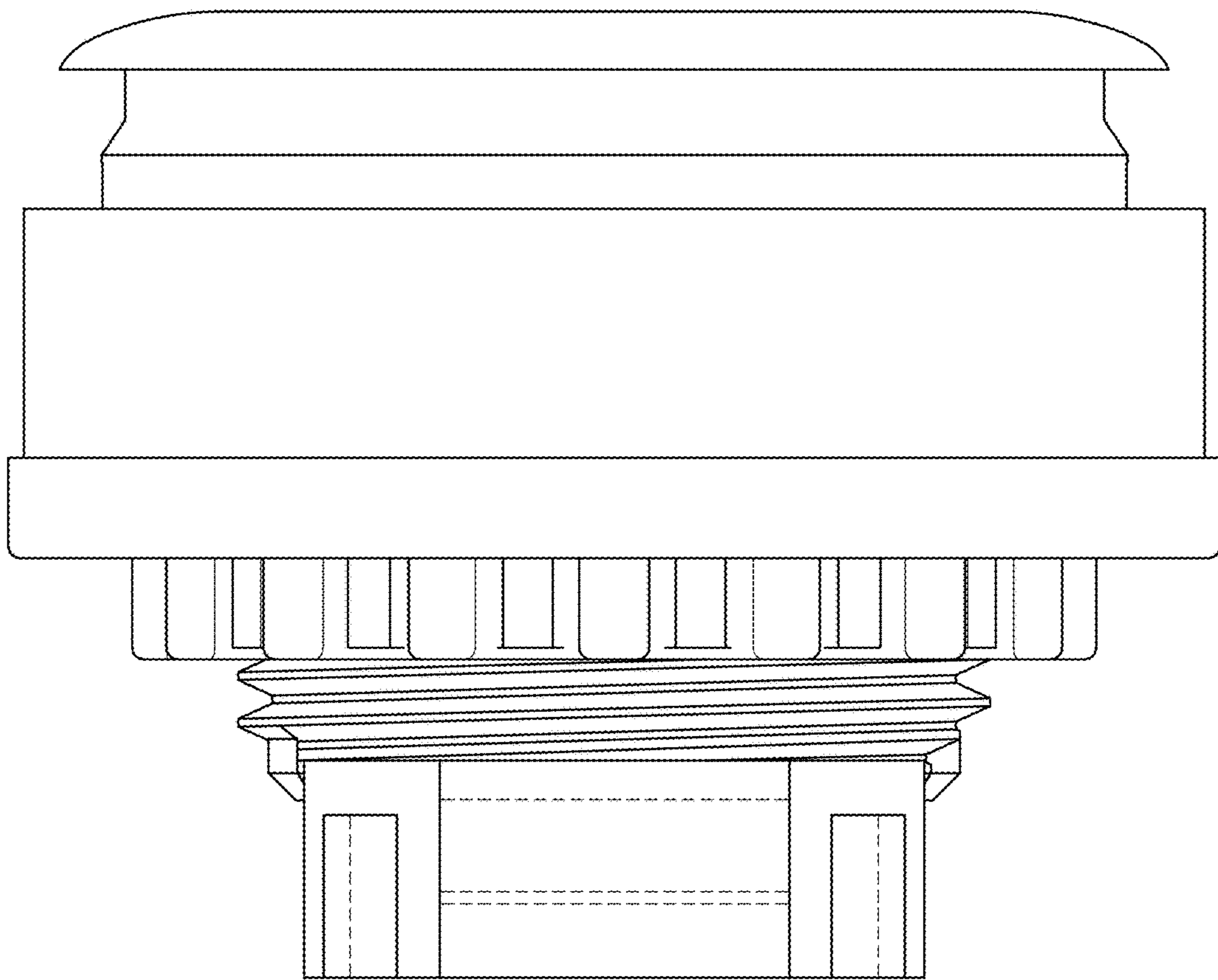
1.3



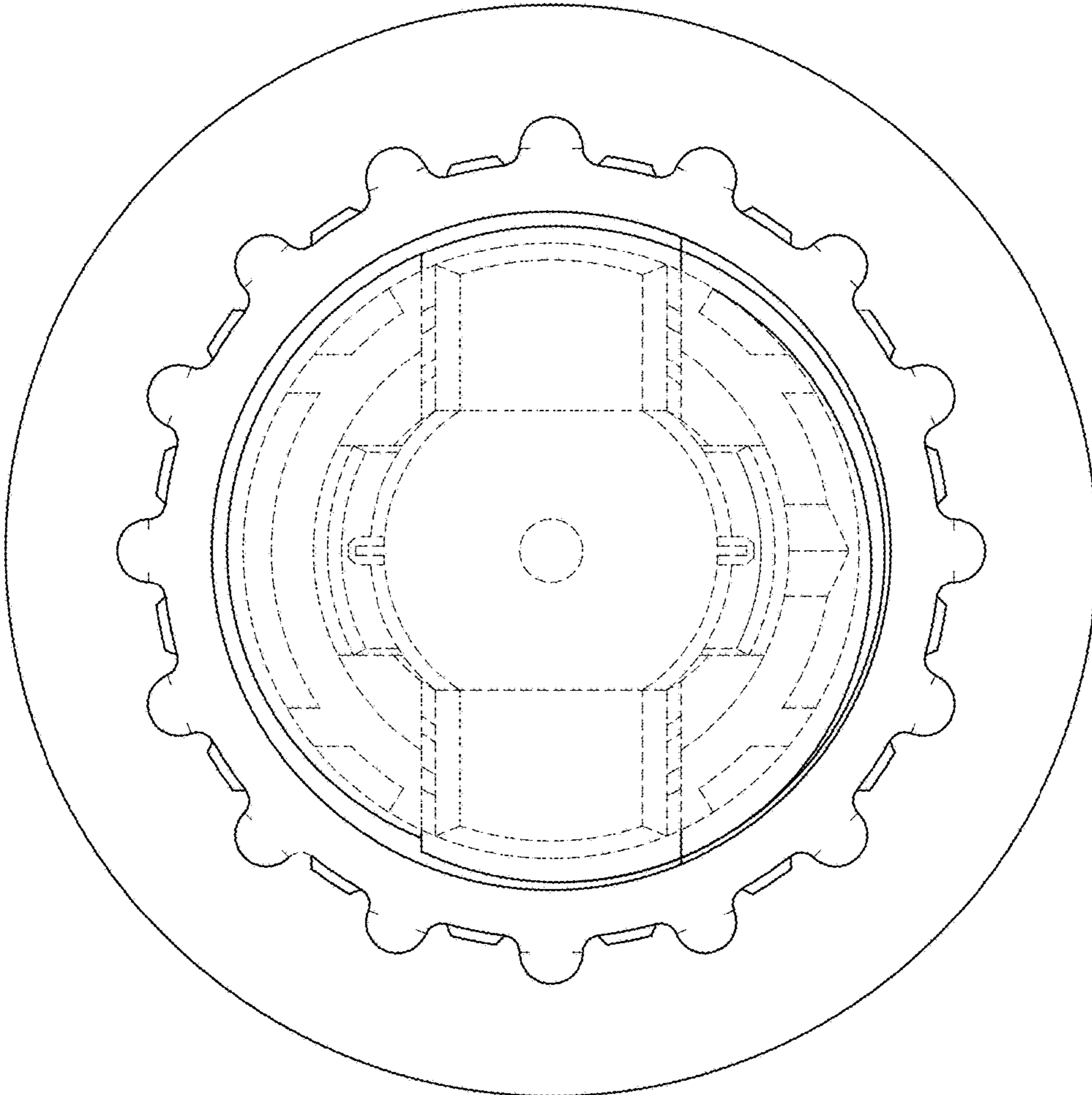
1.4



1.5



1.6



1.7