



US00D840955S

(12) **United States Design Patent**  
**Turcotte**

(10) **Patent No.:** **US D840,955 S**

(45) **Date of Patent:** **\*\* Feb. 19, 2019**

- (54) **MECHANICAL ACTIVATOR FOR ELECTRICAL CONTACTOR**
- (71) Applicant: **TORNATECH INC.**, Montreal (CA)
- (72) Inventor: **Charles-Félix Turcotte**, Rosemère (CA)
- (73) Assignee: **TORNATECH INC.**, Montreal (CA)
- (\*\*) Term: **15 Years**
- (21) Appl. No.: **29/546,817**
- (22) Filed: **Nov. 25, 2015**
- (51) **LOC (11) Cl.** ..... **13-03**
- (52) **U.S. Cl.**  
USPC ..... **D13/173**
- (58) **Field of Classification Search**  
USPC ... D13/101, 112, 118, 122, 126, 133, 137.3, D13/149, 158, 159, 169, 170, 173, 174, D13/199; D15/1, 5, 7, 138, 142, 143, D15/148, 199  
CPC .. H01H 1/02; H01H 1/08; H01H 1/20; H01H 3/022; H01H 3/36; H01H 3/40; H01H 3/42; H01H 19/00; H01H 19/035; H01H 19/64; H01H 19/6355; H01H 50/546  
See application file for complete search history.

- (56) **References Cited**  
U.S. PATENT DOCUMENTS  
5,338,076 A \* 8/1994 Tanaka ..... E05B 81/25 292/201  
D403,722 S \* 1/1999 Zimmer ..... D13/112

- D571,291 S \* 6/2008 Jabaji ..... D13/112
- D756,315 S \* 5/2016 Zheng ..... D13/158
- 2008/0048514 A1\* 2/2008 Hoffmann ..... H02K 7/06 310/78
- 2011/0290627 A1\* 12/2011 Goupil ..... H01H 3/022 200/337

\* cited by examiner

*Primary Examiner* — Derrick E Holland

(74) *Attorney, Agent, or Firm* — Gonzalo Lavin

(57) **CLAIM**

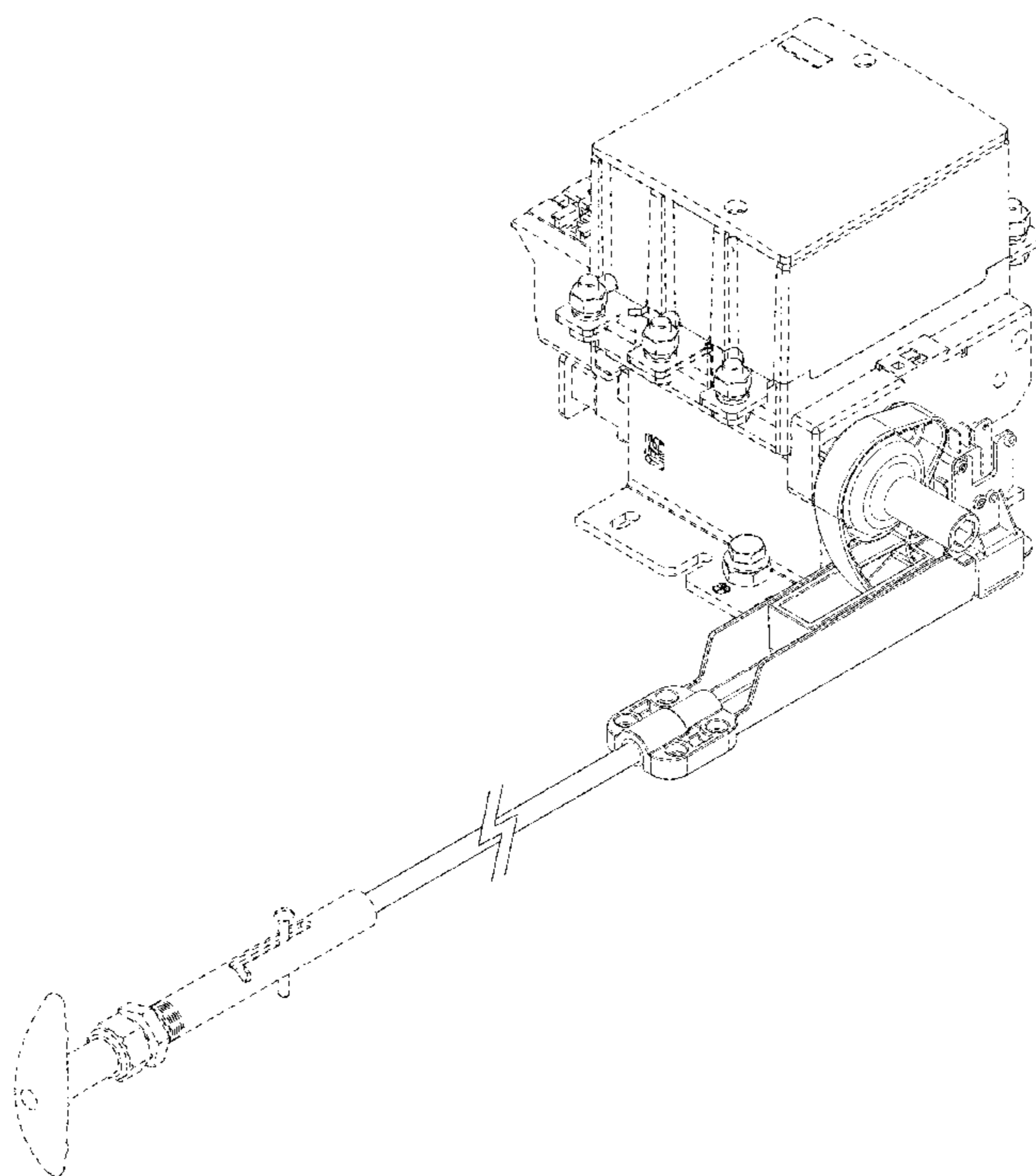
The ornamental design for a “mechanical activator for electrical contactor”, as shown and described.

**DESCRIPTION**

FIG. 1 is a left perspective view of a mechanical activator for electrical contactor thereof;  
FIG. 2 is a front view thereof;  
FIG. 3 is a back view thereof;  
FIG. 4 is a bottom view thereof;  
FIG. 5 is a right side view thereof;  
FIG. 6 is a left side view thereof; and,  
FIG. 7 is a right perspective view thereof.

The broken line showing of portions of the mechanical activator for electrical contactor is included for the purpose of illustrating environmental structure and forms no part of the claimed design. The mechanical activator for electrical contactor is shown with a symbolic break in its length. The appearance of any portion of the article between the break lines forms no part of the claimed design. All surfaces not shown form no part of the claimed design.

**1 Claim, 7 Drawing Sheets**



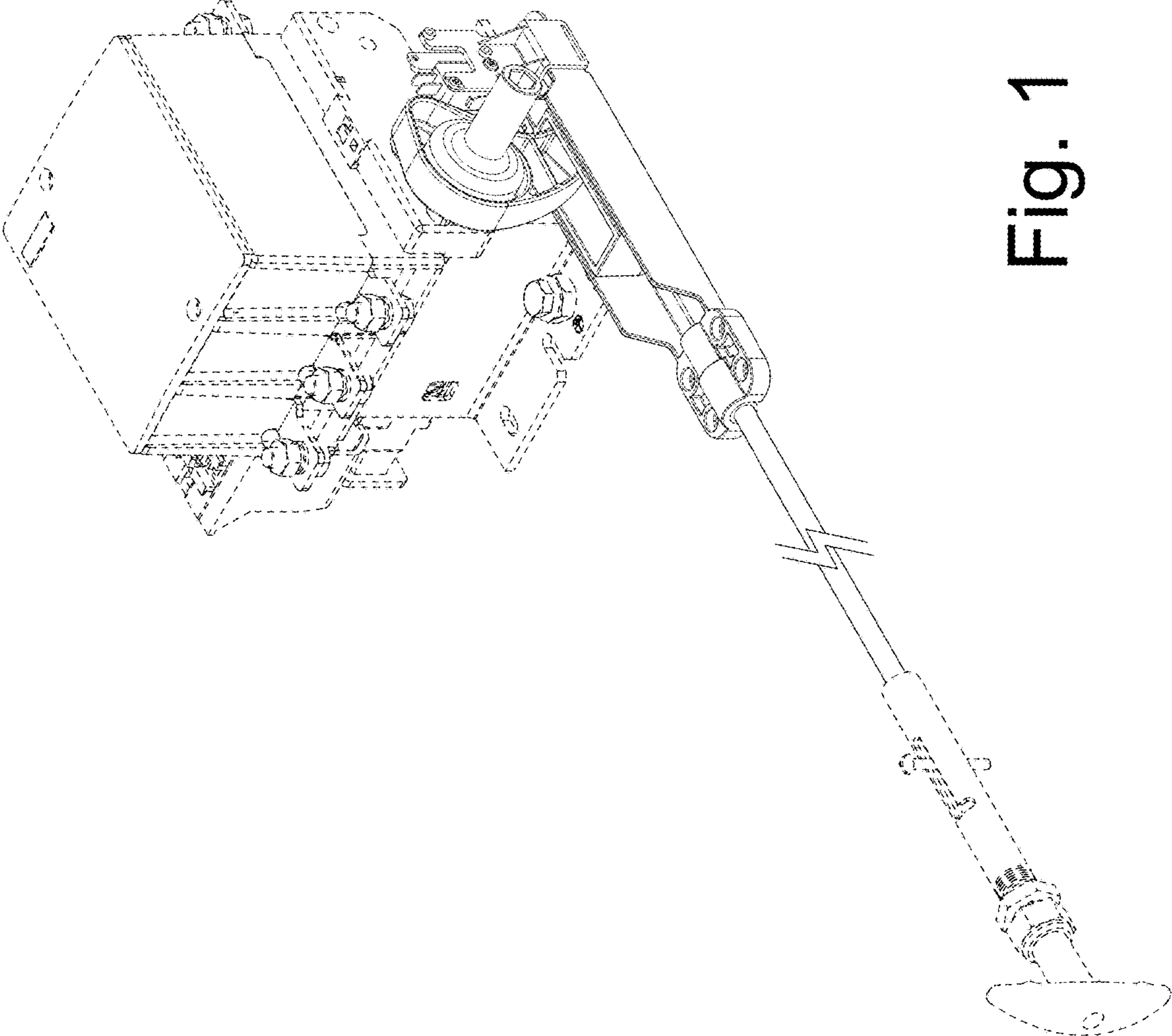


Fig. 1

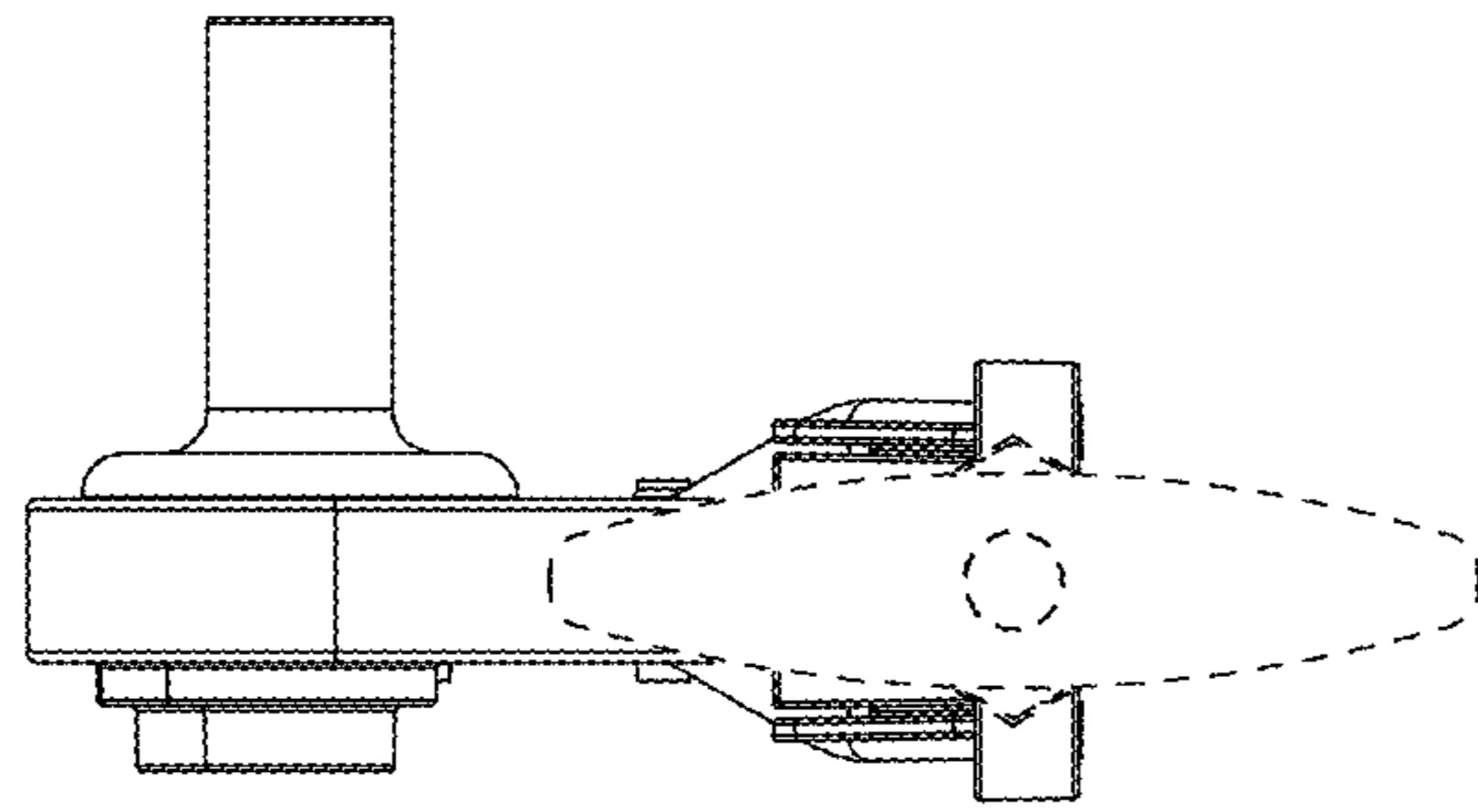


Fig. 2

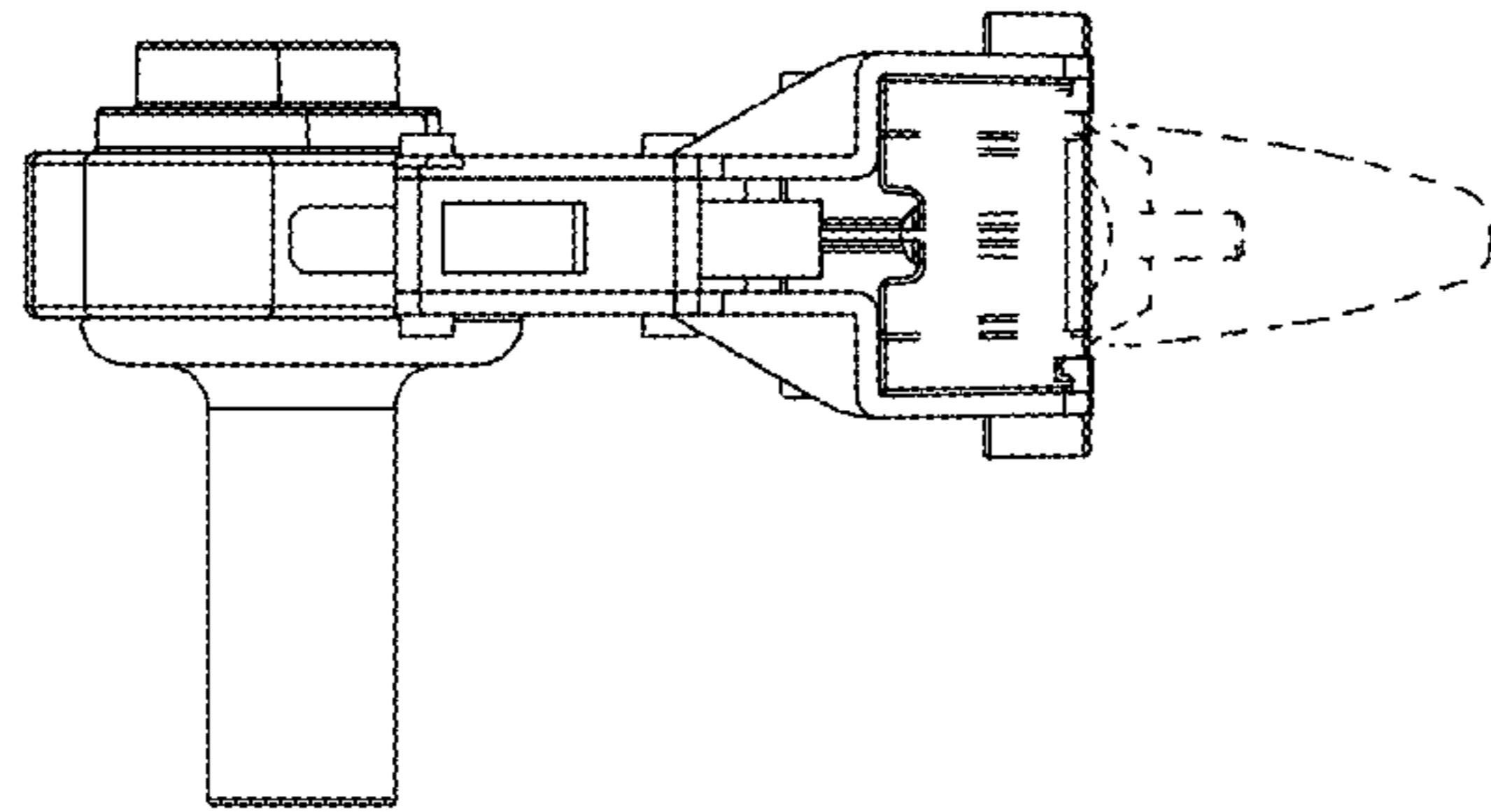


Fig. 3

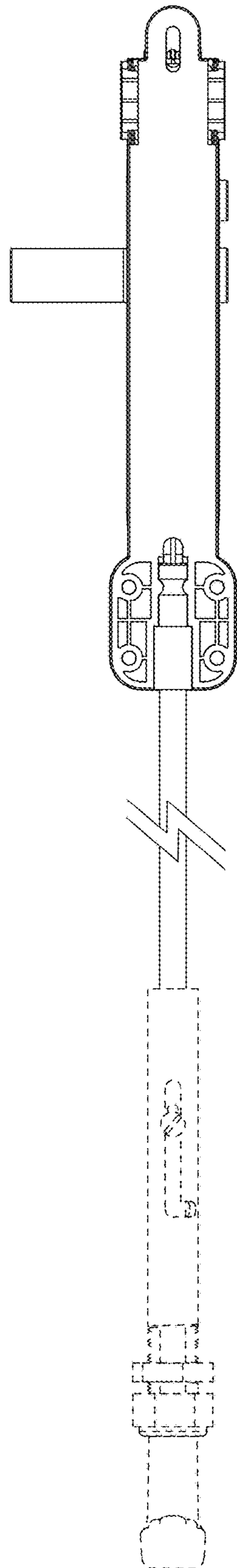


FIG. 4

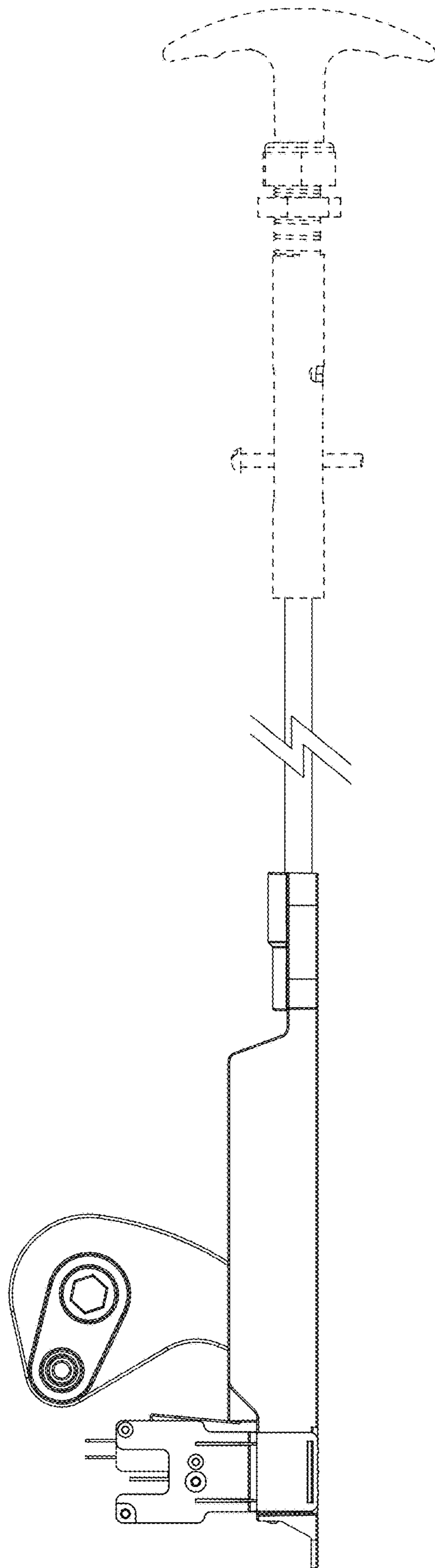


FIG. 5

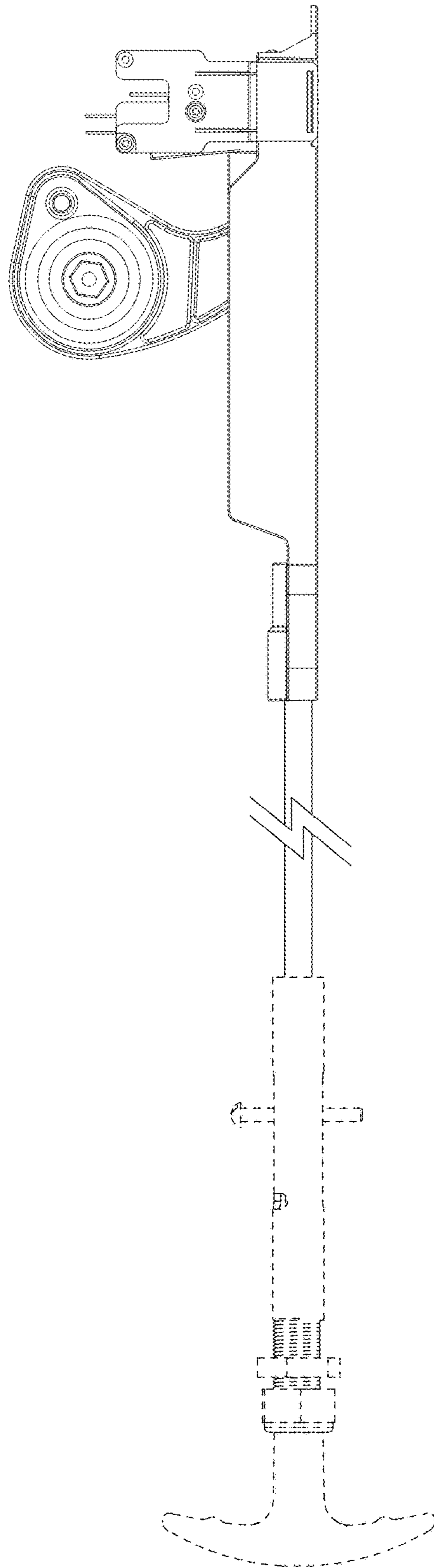


FIG. 6

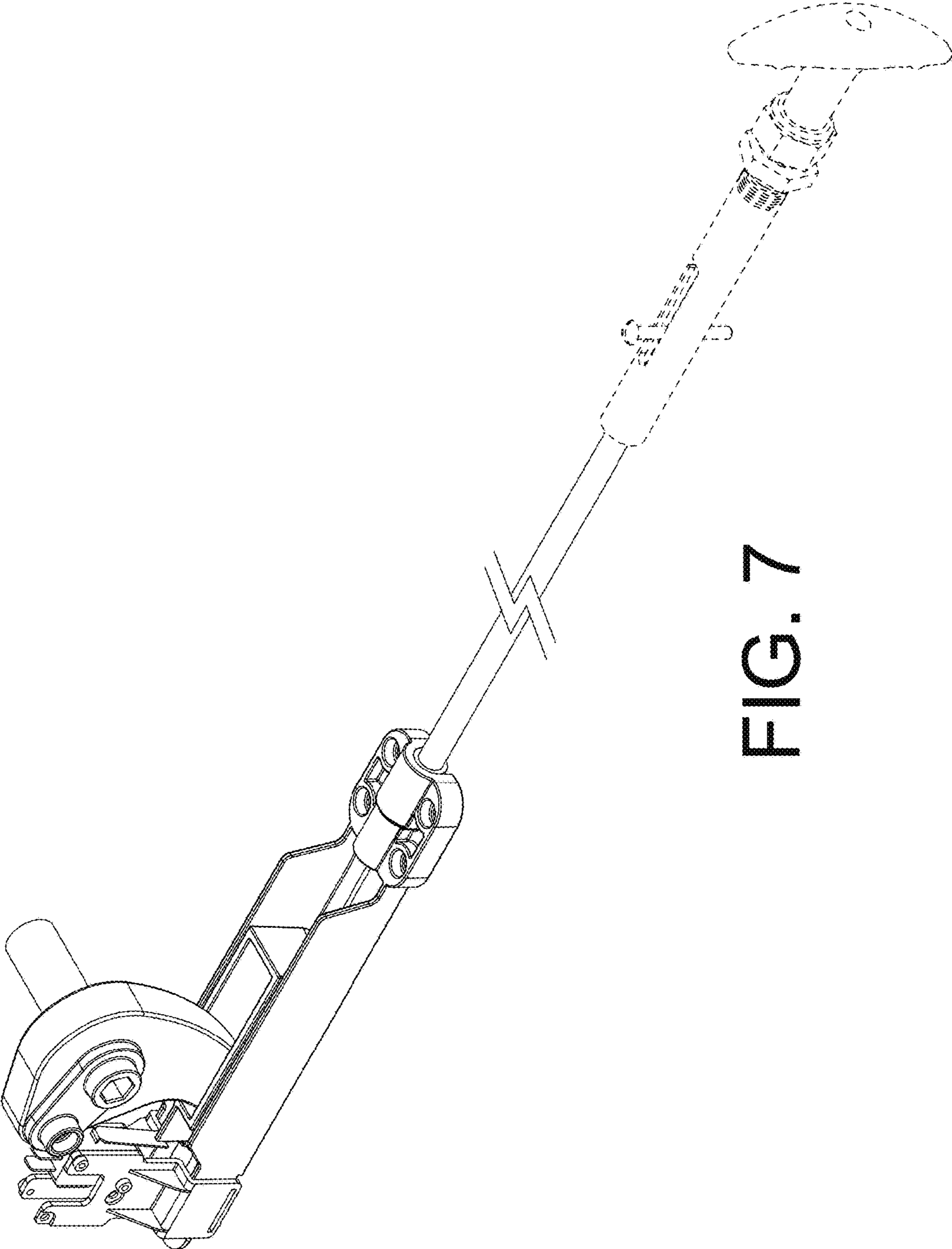


FIG. 7