



US00D840954S

(12) **United States Design Patent**
Wu

(10) **Patent No.:** **US D840,954 S**

(45) **Date of Patent:** **** Feb. 19, 2019**

(54) **LED LAMP CONTROLLER**

(71) Applicant: **Xingcong Wu**, Neijiang (CN)

(72) Inventor: **Xingcong Wu**, Neijiang (CN)

(**) Term: **15 Years**

(21) Appl. No.: **29/669,394**

(22) Filed: **Nov. 7, 2018**

(51) **LOC (11) Cl.** **14-03**

(52) **U.S. Cl.**
USPC **D13/168**

(58) **Field of Classification Search**
USPC D13/168; D14/155, 205, 206, 218, 223,
D14/240; D21/333
CPC H03J 1/0025; H03J 9/00; H03J 9/02; H03J
9/04; H03J 9/06; H01H 9/0235; H04B
1/202; G05B 11/01; G08C 17/00; G08C
17/02; G08C 19/28; G08C 23/04; H04M
1/6058; H04R 1/1041

See application file for complete search history.

(56) **References Cited**

U.S. PATENT DOCUMENTS

3,049,582	A *	8/1962	Shinn	H01R 4/70 174/92
6,122,369	A *	9/2000	Hwang	H04M 1/6058 379/420.03
D473,217	S *	4/2003	Rivera	D14/223
D483,281	S *	12/2003	Cobigo	D10/104.1
D614,323	S	4/2010	Stewart et al.		
D619,558	S *	7/2010	Seil	D14/155
D625,294	S *	10/2010	Wada	D14/218
D638,806	S *	5/2011	Kim	D13/168
D726,831	S *	4/2015	Lee	D13/168

D731,456	S *	6/2015	Dahlberg	D14/205
D743,381	S *	11/2015	Pi	D14/218
D782,442	S *	3/2017	Chen	D14/205
D789,366	S *	6/2017	Jentz	D14/218
D793,995	S *	8/2017	Nakagawa	D14/218
D812,038	S *	3/2018	Nakajima	D14/205
D818,457	S *	5/2018	Paschke	D14/218
D821,999	S *	7/2018	Guo	D14/205
D822,643	S *	7/2018	Chen	D14/218
2004/0224717	A1 *	11/2004	Hertzberg	H04M 1/22 455/550.1

* cited by examiner

Primary Examiner — Selina Sikder

(74) *Attorney, Agent, or Firm* — W&K IP (Wayne & King)

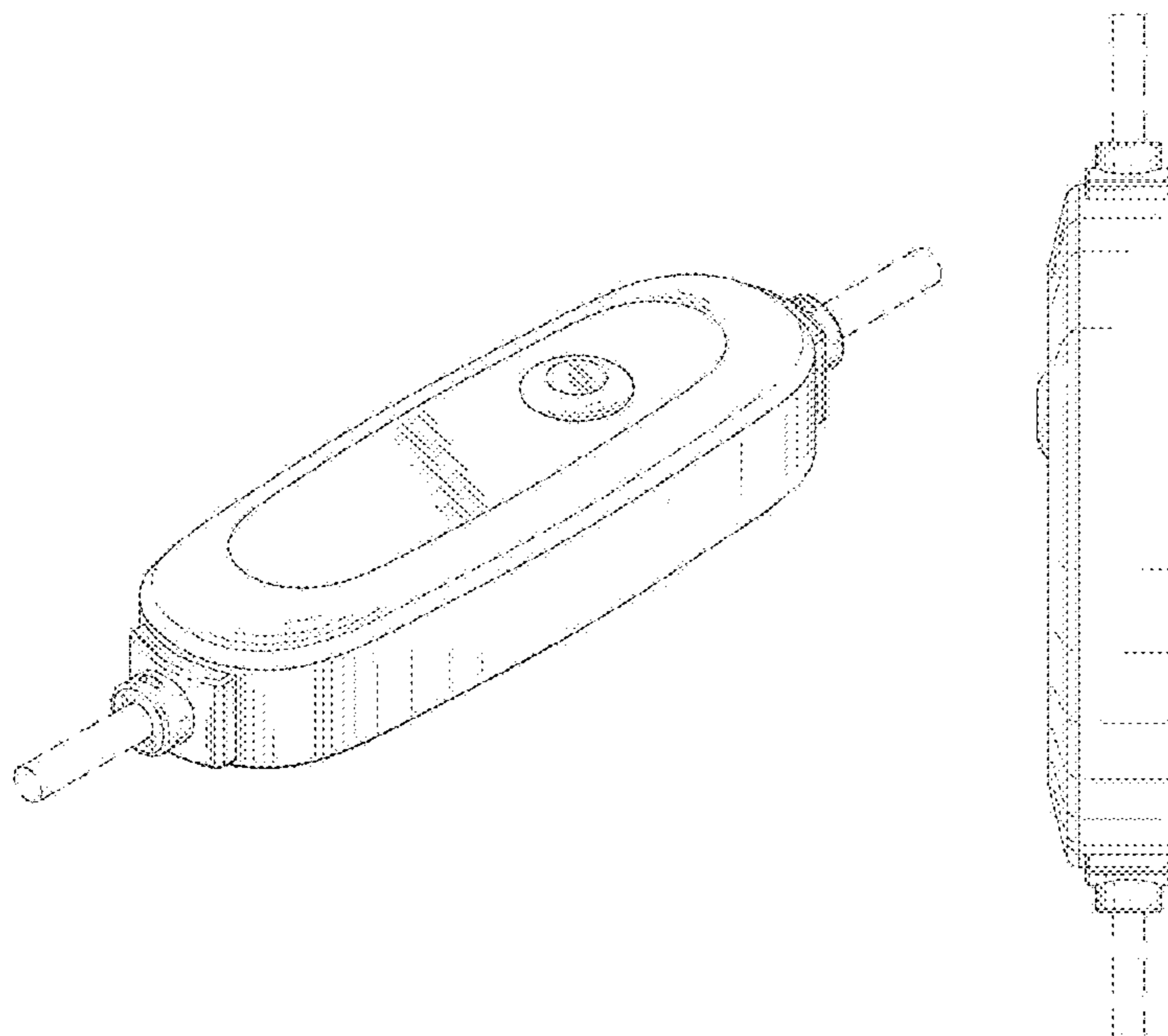
(57) **CLAIM**

The ornamental design for an LED lamp controller, as shown and described.

DESCRIPTION

FIG. 1 is a perspective view of an LED lamp controller showing my new design;
FIG. 2 is a front view thereof;
FIG. 3 is a rear view thereof;
FIG. 4 is a left side view thereof;
FIG. 5 is a right side view thereof;
FIG. 6 is a top plan view thereof; and,
FIG. 7 is a bottom plan, view thereof.
The broken lines are for the purposes of illustrating portions of the LED lamp controller and form no part of the claimed design.

1 Claim, 7 Drawing Sheets



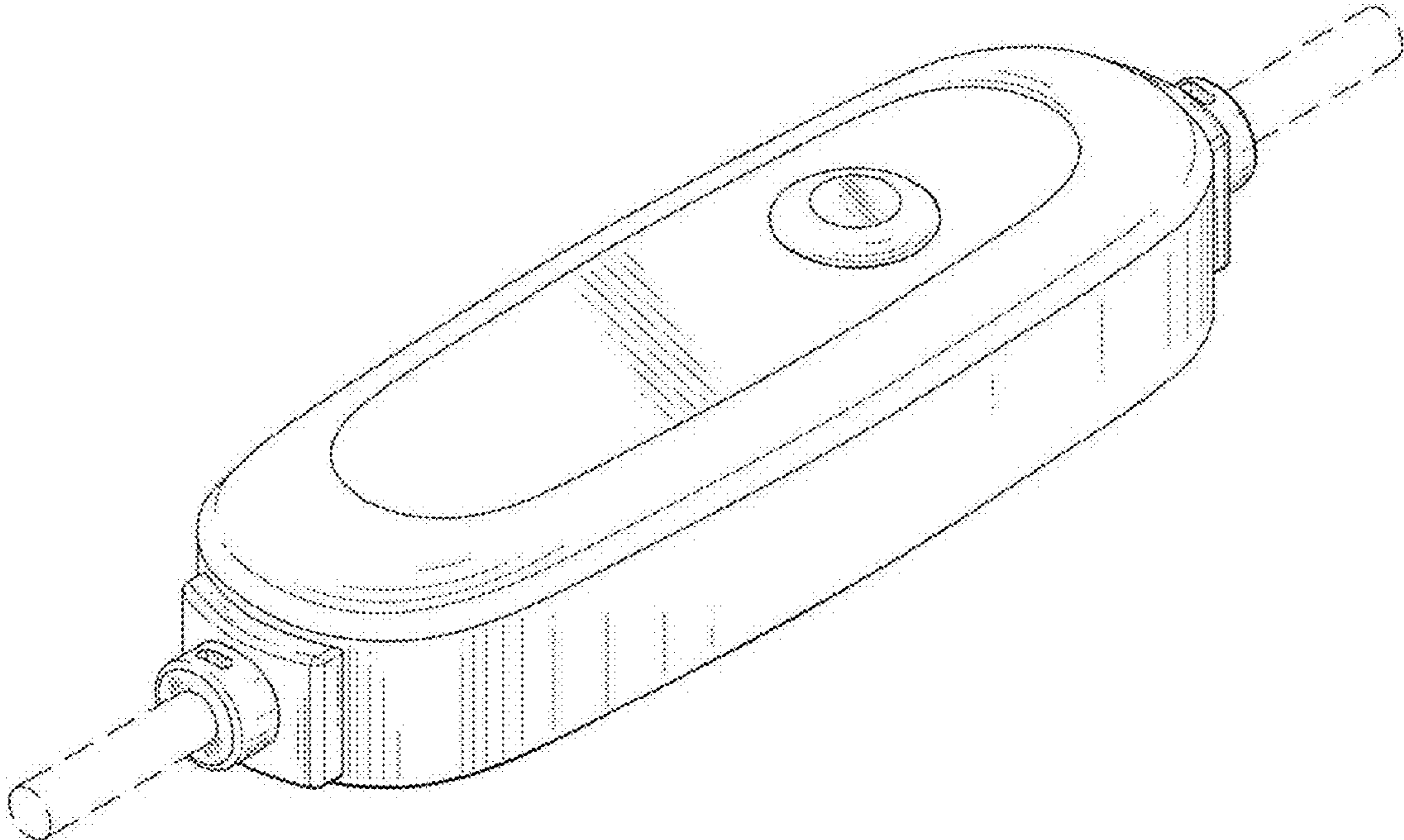


Fig. 1

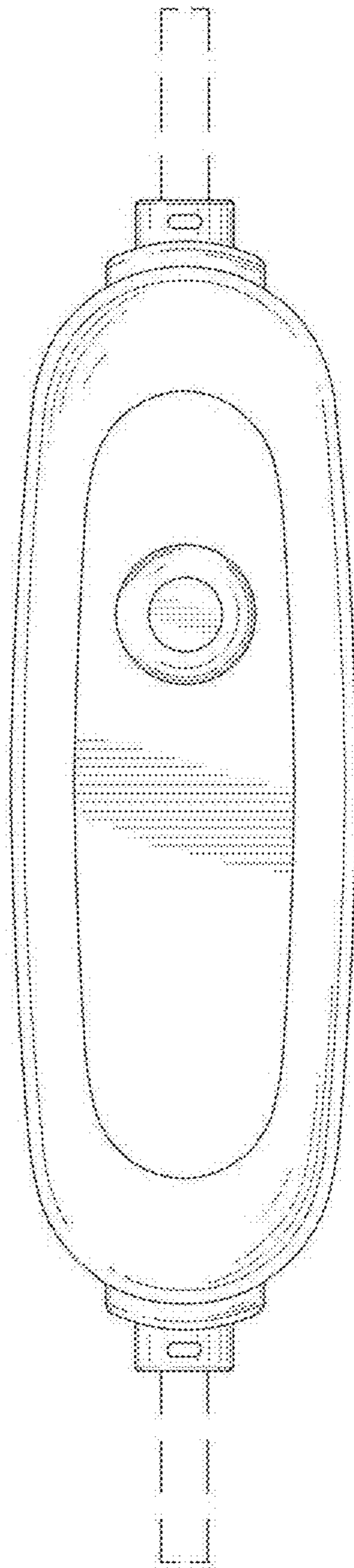


Fig. 2

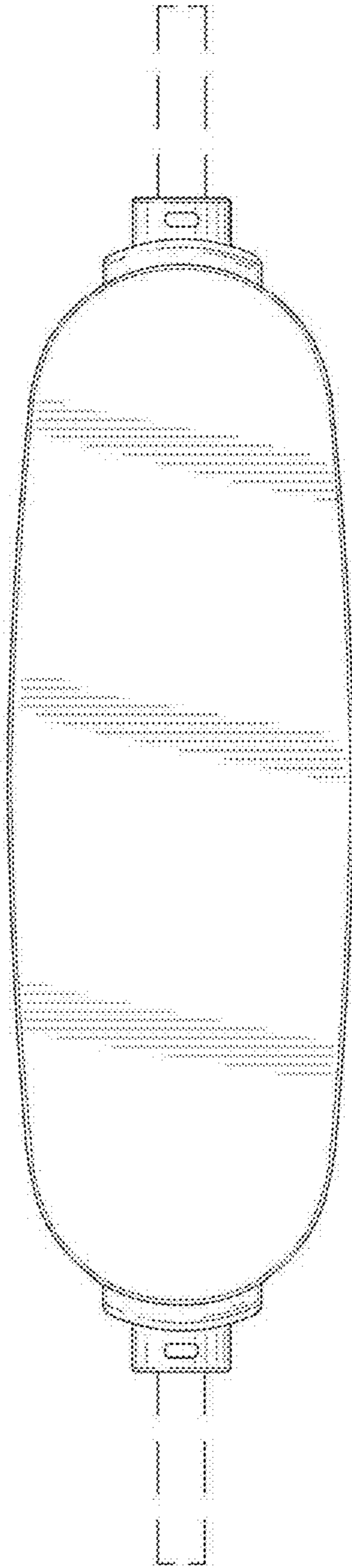


Fig. 3

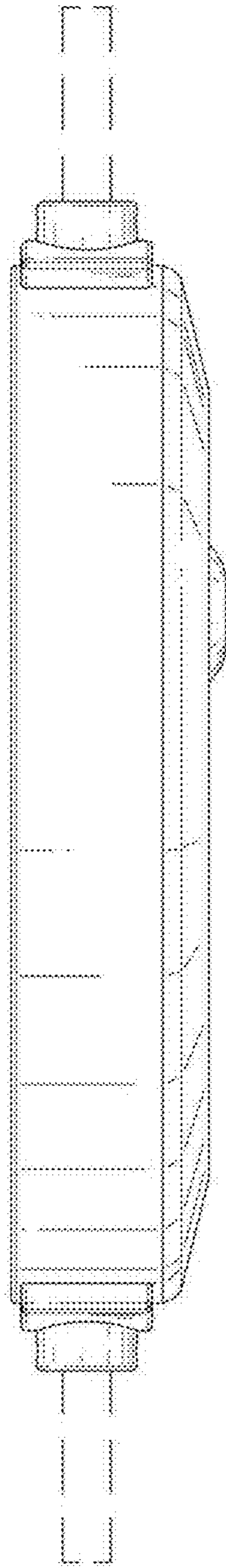


Fig. 4

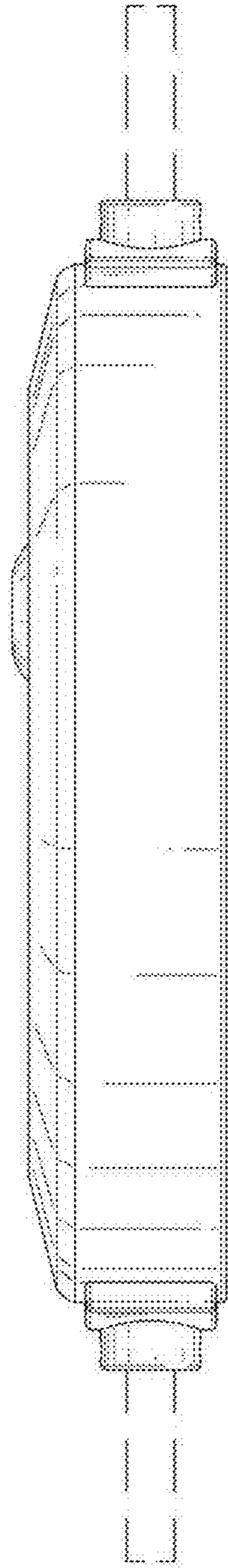


Fig. 5

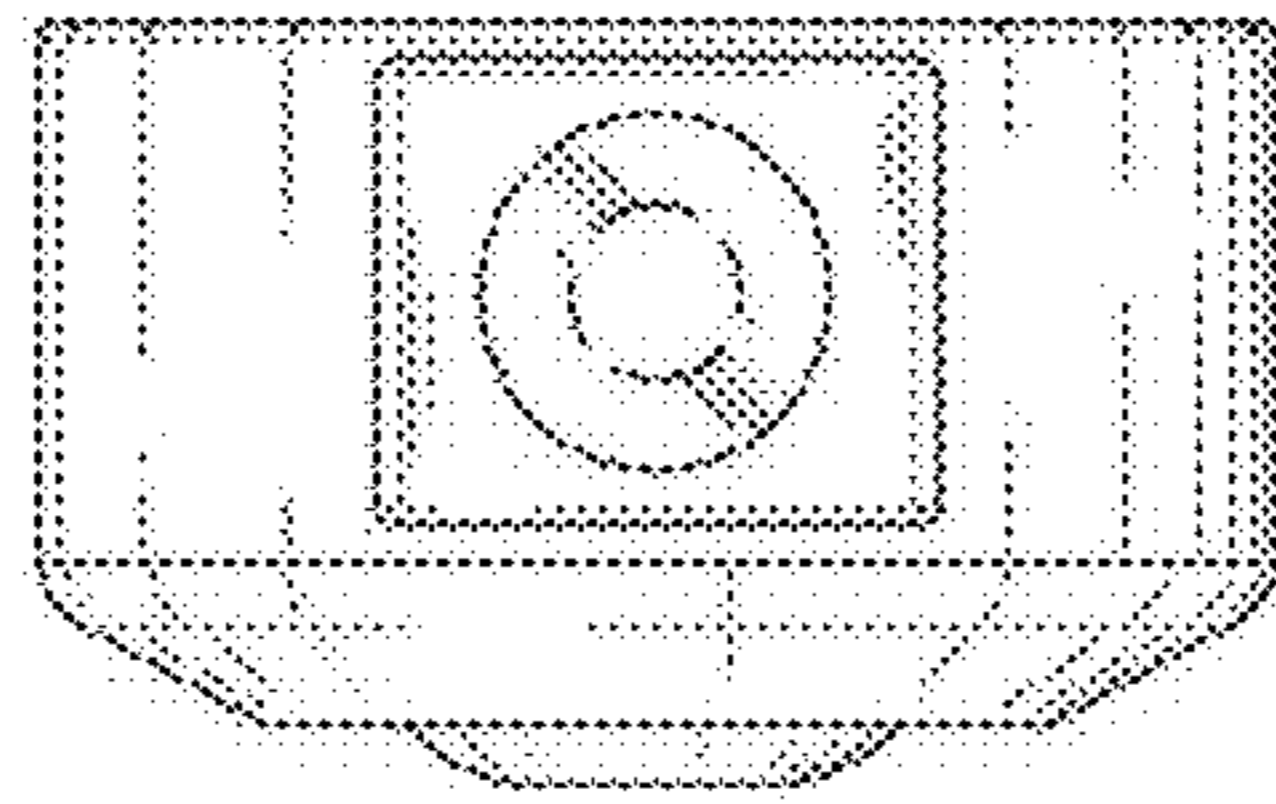


Fig. 6

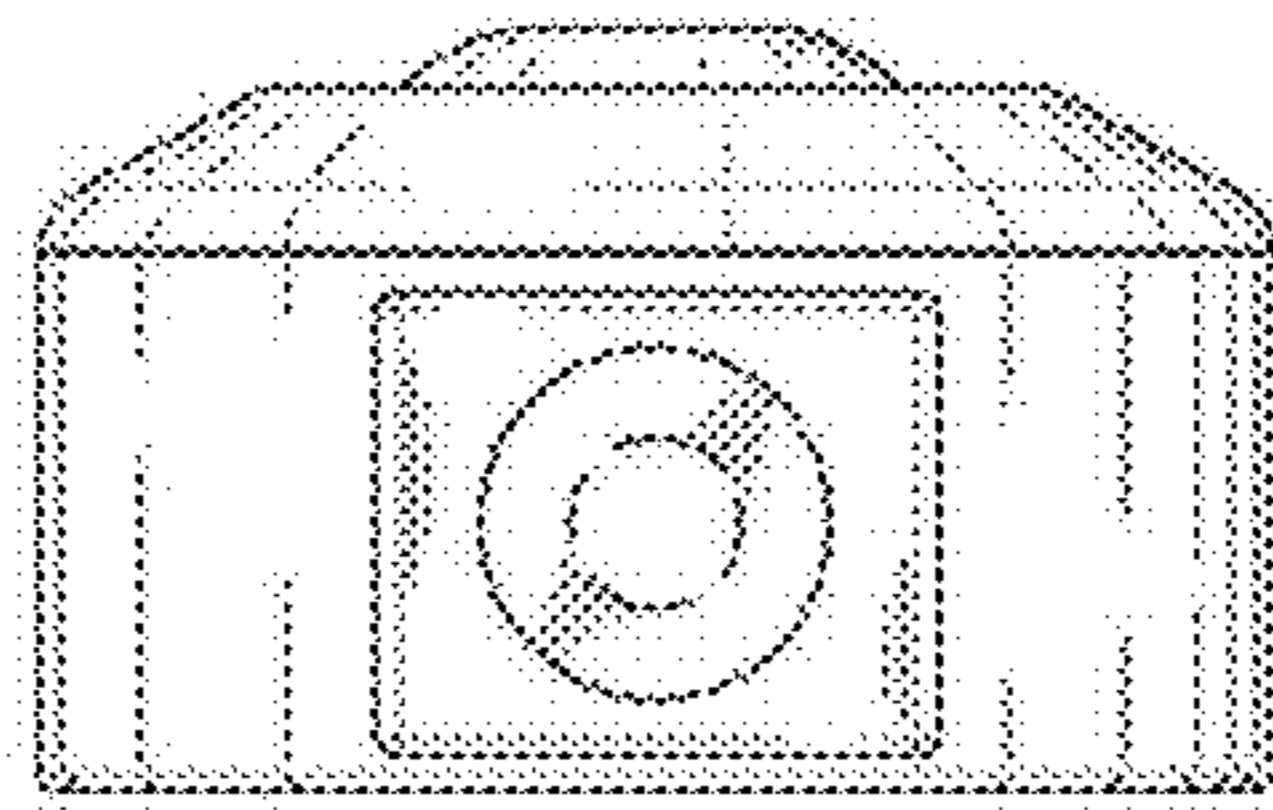


Fig. 7