



US00D840951S

(12) **United States Design Patent** (10) **Patent No.:** **US D840,951 S**
Gattis (45) **Date of Patent:** **** Feb. 19, 2019**

(54) **SURGE PROTECTION RECEPTACLE**
(71) Applicant: **DIVERSIFIED TECHNOLOGY GROUP, INC.**, Largo, FL (US)
(72) Inventor: **Michael David Gattis**, Seminole, FL (US)
(73) Assignee: **Diversified Technology Group, Inc.**, Largo, FL (US)

6,430,019 B1 8/2002 Martenson
D527,033 S * 8/2006 Kawaguchi D15/199
D645,428 S * 9/2011 Karlsson D13/199
D652,377 S * 1/2012 Butts D13/103
8,284,536 B2 10/2012 Minarczyk
D685,654 S * 7/2013 Akana D9/432
D686,156 S * 7/2013 Ye D13/110
8,780,521 B2 7/2014 Xu
8,937,441 B1 1/2015 Taylor
D741,703 S * 10/2015 Janson D9/424
9,355,763 B2 5/2016 Xu
D772,085 S * 11/2016 Howe D10/50

(**) Term: **15 Years**

(Continued)

(21) Appl. No.: **29/632,791**

OTHER PUBLICATIONS

(22) Filed: **Jan. 10, 2018**

DITEK—Meet the Deflector, dated Sep. 27, 2018, [online], [site visited Nov. 6, 2018]. Available from Internet, <URL: <https://www.youtube.com/watch?v=vBOWA74WvW4>> (Year: 2018).*

Related U.S. Application Data

(63) Continuation-in-part of application No. 15/843,756, filed on Dec. 15, 2017, which is a continuation-in-part of application No. 15/477,744, filed on Apr. 3, 2017, now Pat. No. 9,875,830.

Primary Examiner — Angela J Lee
Assistant Examiner — Shawn T Gingrich
(74) *Attorney, Agent, or Firm* — Larson & Larson, P.A.; Frank Liebenow; Justin P. Miller

(51) **LOC (11) Cl.** **13-03**

(52) **U.S. Cl.**
USPC **D13/160**

(57) **CLAIM**

(58) **Field of Classification Search**
USPC D13/107, 112, 118, 123, 158–162, 173, D13/174, 184, 199; D10/106.1, 121
CPC H01C 7/126; H01C 7/10; H01H 83/10; H01H 73/00; H01R 43/00; H02H 1/00; H02H 3/02; H02H 3/20; H02H 5/04; H02H 9/04; H05B 37/00; H05K 5/00
See application file for complete search history.

The ornamental design for a surge protection receptacle, as shown and described.

DESCRIPTION

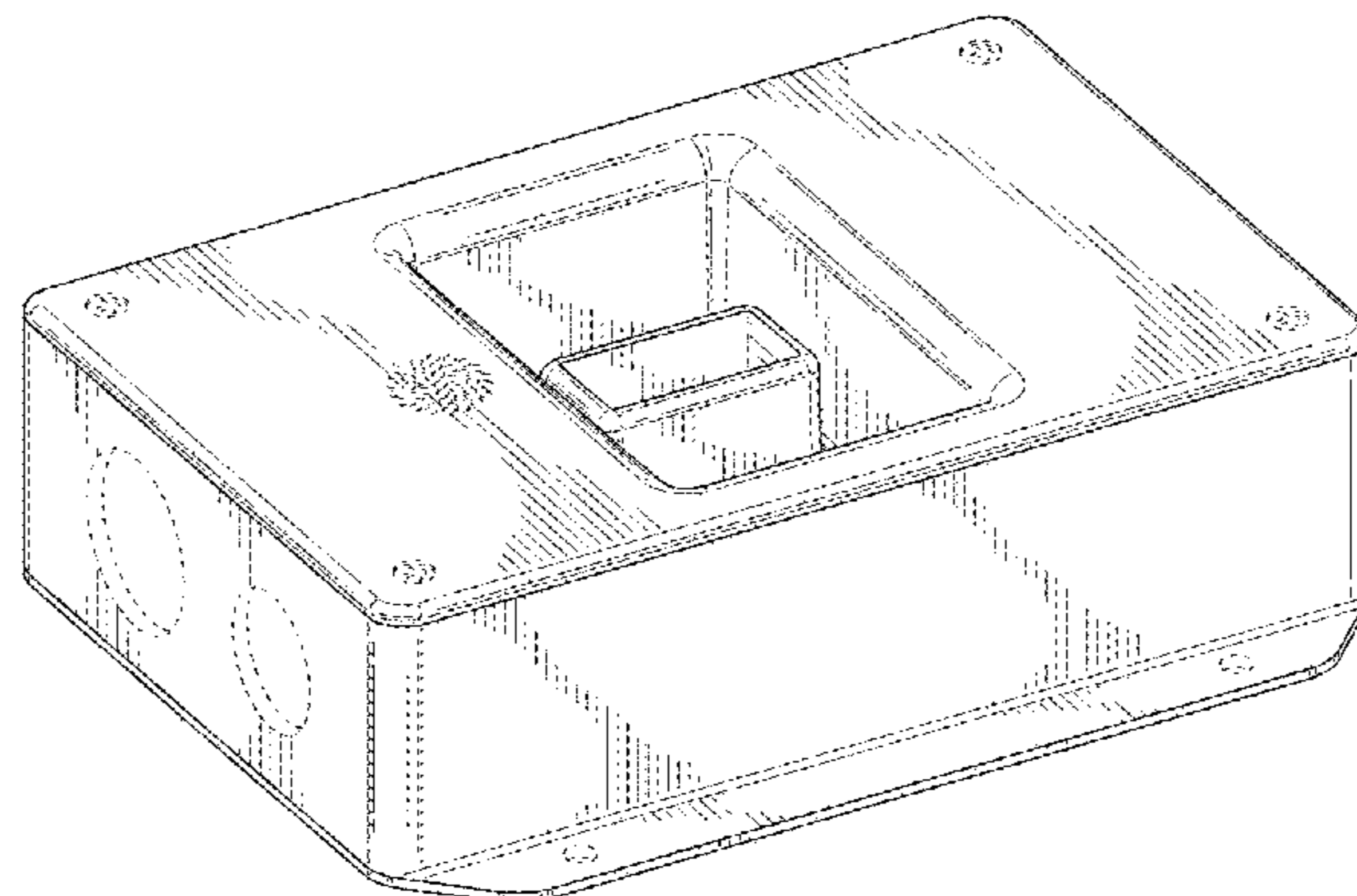
(56) **References Cited**

U.S. PATENT DOCUMENTS

4,913,663 A 4/1990 Siemon
5,627,720 A 5/1997 Lewis
D385,530 S * 10/1997 Hames D13/107
5,757,603 A 5/1998 Kapp
D427,970 S * 7/2000 Sage D13/118

FIG. 1 is a perspective view of a surge protection module showing my new design.
FIG. 2 is a front elevation view thereof;
FIG. 3 is a rear elevation view thereof;
FIG. 4 is a right side elevation view thereof;
FIG. 5 is a left side elevation view thereof;
FIG. 6 is a top plan view thereof; and,
FIG. 7 is a bottom plan view thereof.
The broken lines in the drawings illustrate portions of the surge protection receptacle that form no part of the claimed design.

1 Claim, 5 Drawing Sheets



(56)

References Cited

U.S. PATENT DOCUMENTS

9,583,296	B2	2/2017	Satou	
D785,572	S *	5/2017	Abraham	D13/152
D793,977	S *	8/2017	Chung	D13/184
D794,576	S *	8/2017	Hall	D13/159
9,875,830	B1 *	1/2018	Gattis	H02H 3/08
2003/0086228	A1	5/2003	Papallo, Jr.	
2008/0030931	A1	2/2008	Kozak	
2010/0127625	A1	5/2010	Minarczyk	
2011/0013330	A1	1/2011	Crevenat	
2012/0161973	A1	6/2012	Hsu	
2012/0206848	A1	8/2012	Gillespie	
2018/0254629	A1 *	9/2018	Gattis	H02H 9/04

* cited by examiner

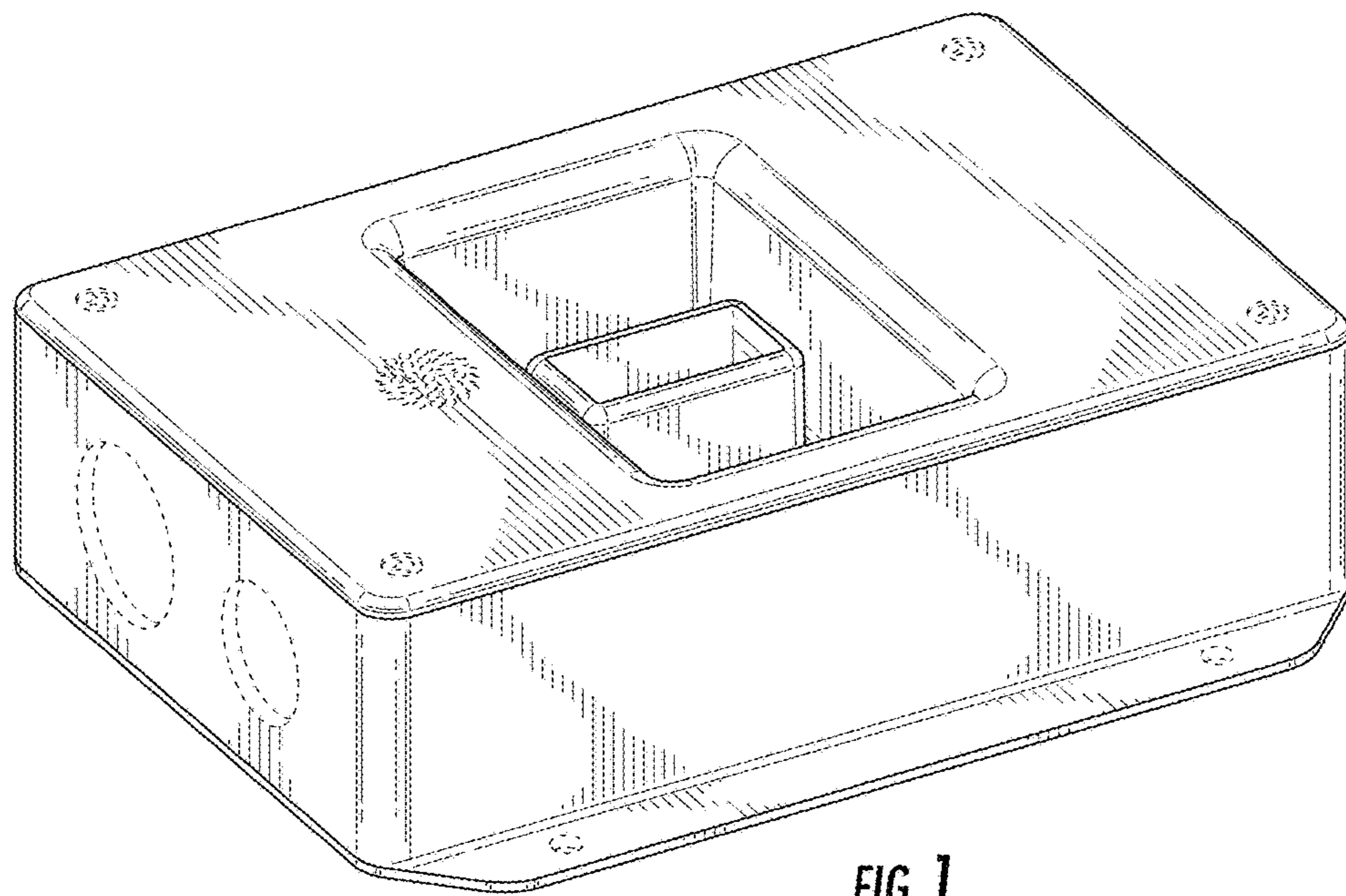


FIG. 1

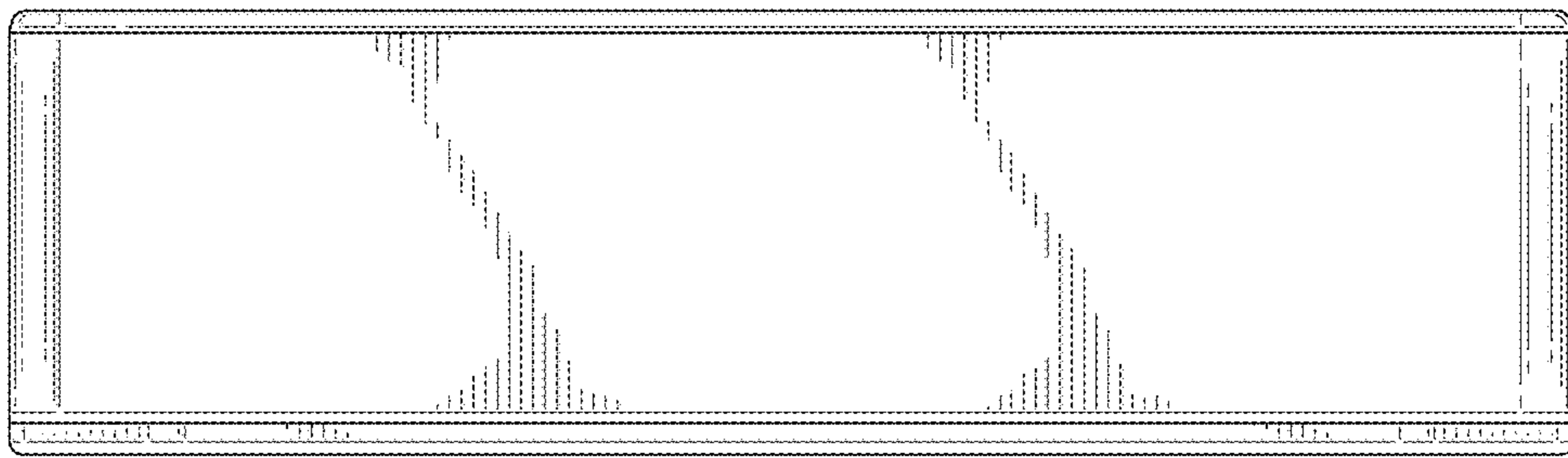


FIG. 2

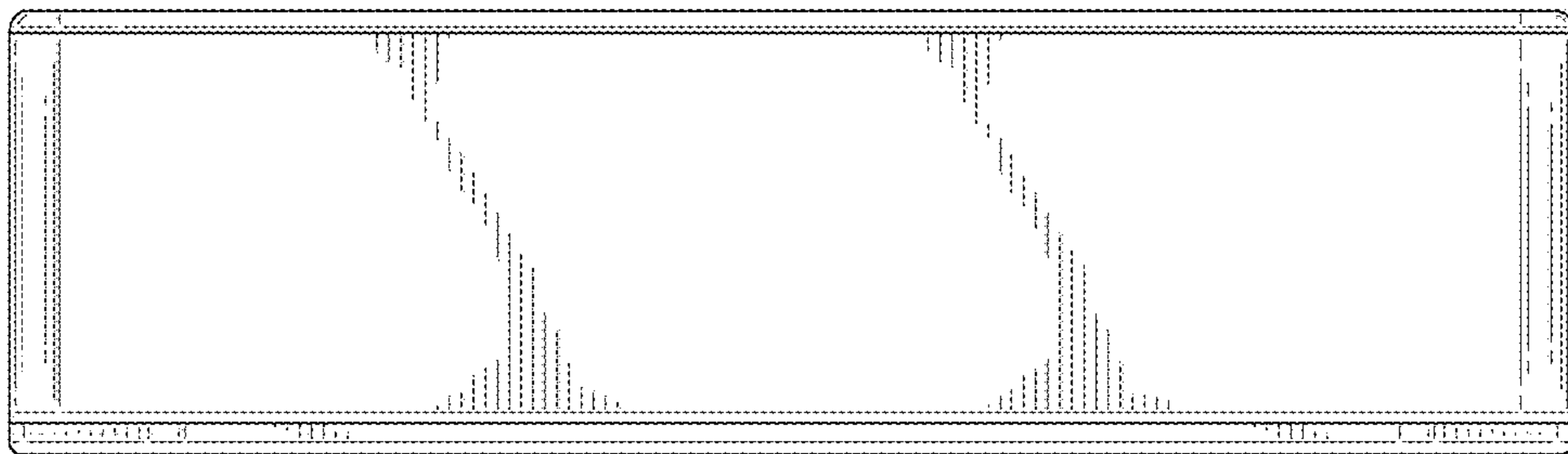


FIG. 3

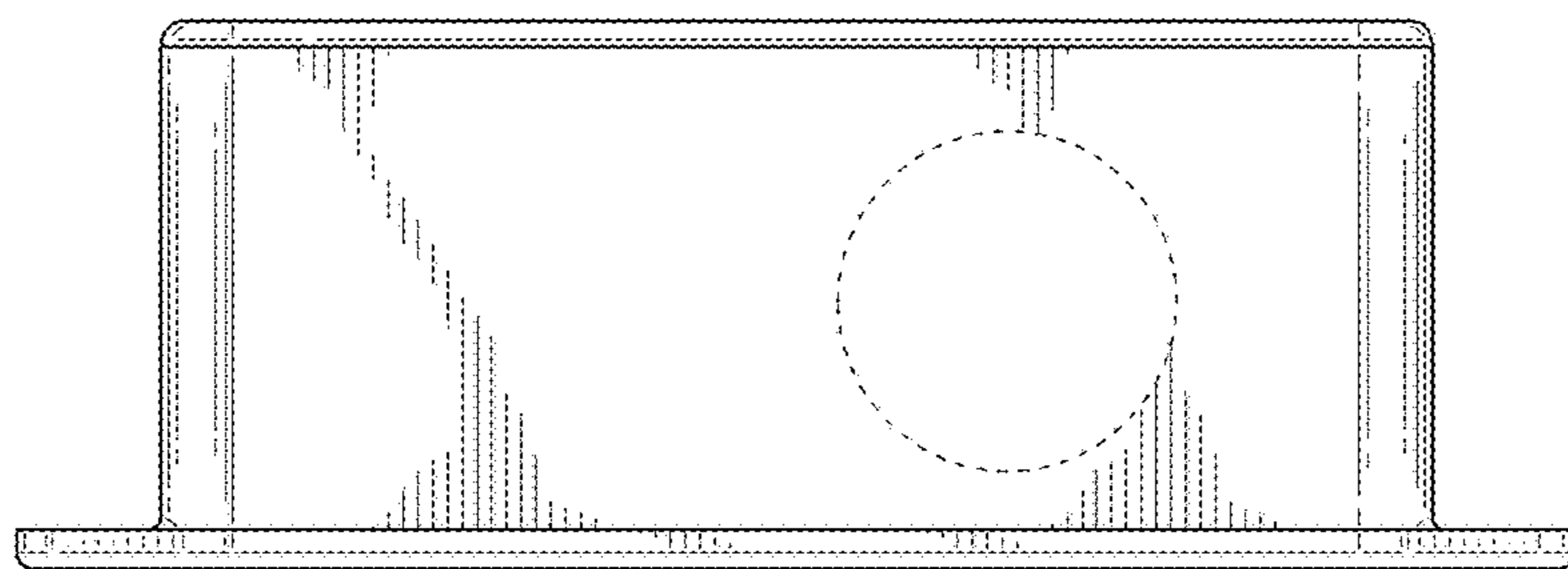


FIG. 4

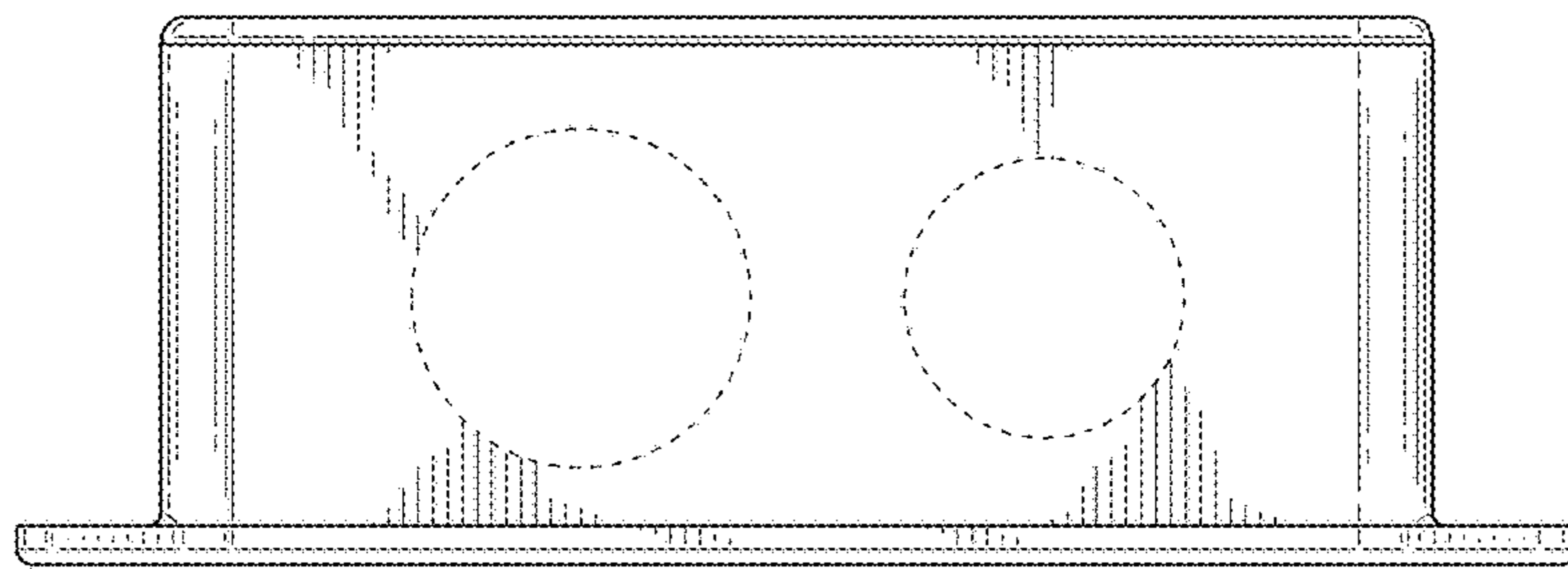


FIG. 5

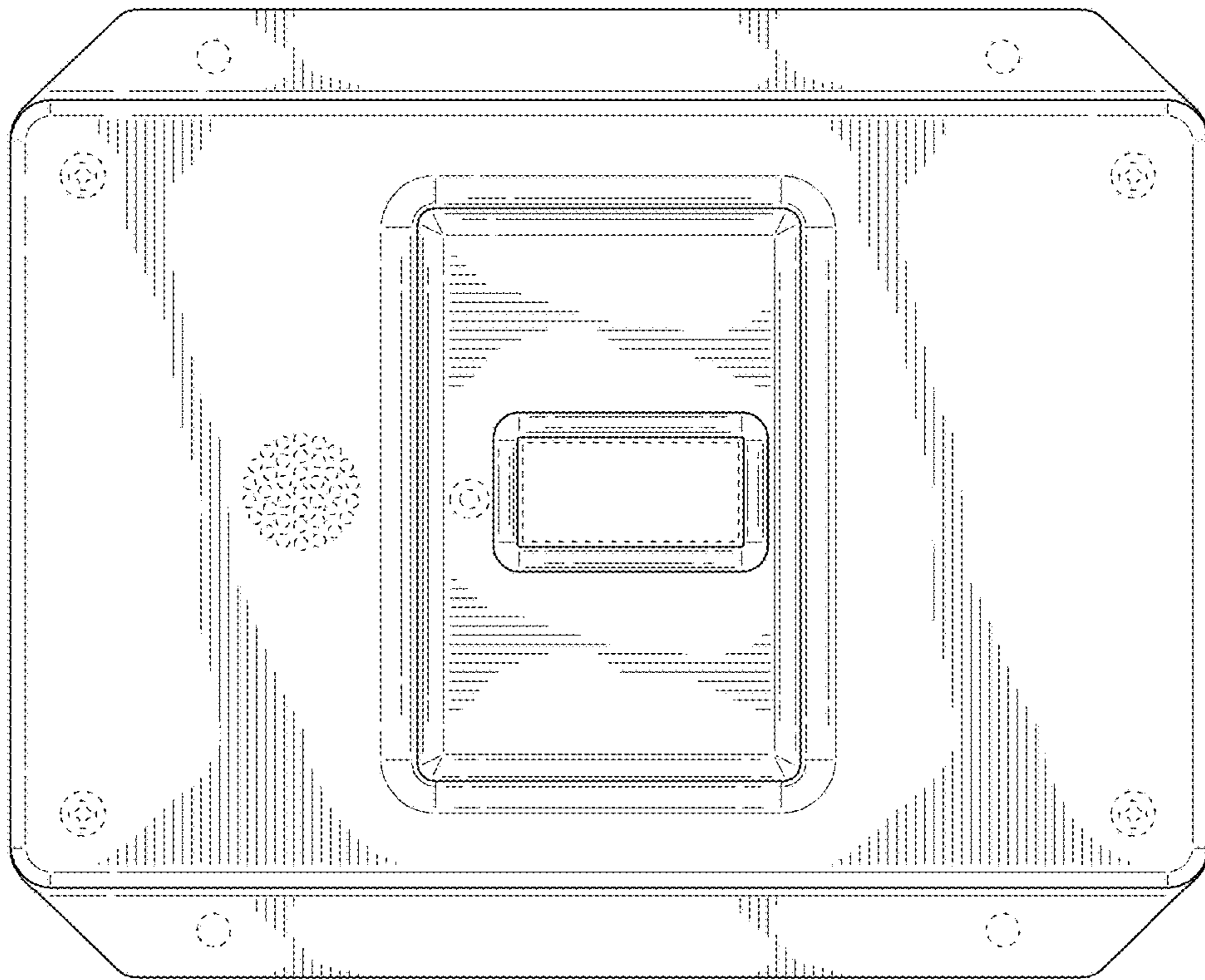


FIG. 6

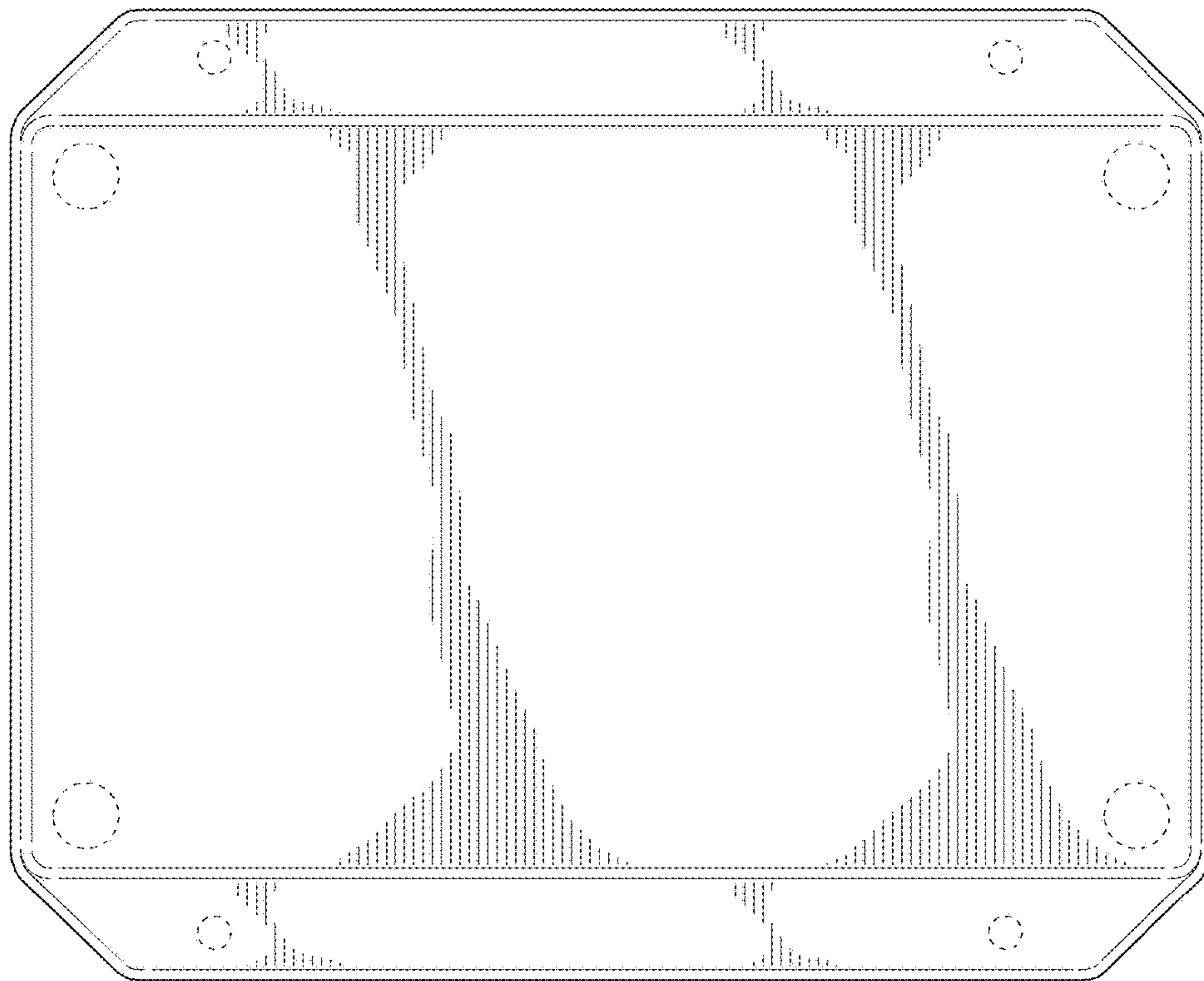


FIG. 7