



US00D840950S

(12) **United States Design Patent** (10) **Patent No.:** **US D840,950 S**
Gattis (45) **Date of Patent:** **** Feb. 19, 2019**

- (54) **SURGE PROTECTION MODULE**
- (71) Applicant: **DIVERSIFIED TECHNOLOGY GROUP, INC.**, Largo, FL (US)
- (72) Inventor: **Michael David Gattis**, Seminole, FL (US)
- (73) Assignee: **Diversified Technology Group, Inc.**, Largo, FL (US)
- (**) Term: **15 Years**

- D339,790 S * 9/1993 Leman D13/108
- 5,627,720 A 5/1997 Lewis
- 5,757,603 A 5/1998 Kapp
- 6,430,019 B1 8/2002 Martenson
- D484,797 S * 1/2004 Kipperman D9/424
- D656,466 S * 3/2012 Chu D13/158
- 8,284,536 B2 10/2012 Minarczyk
- D686,491 S * 7/2013 Kuo D9/432
- 8,780,521 B2 7/2014 Xu
- 8,937,441 B1 1/2015 Taylor
- D751,512 S * 3/2016 Kobayashi D13/161
- 9,355,763 B2 5/2016 Xu

(Continued)

- (21) Appl. No.: **29/632,789**
- (22) Filed: **Jan. 10, 2018**

Related U.S. Application Data

- (63) Continuation-in-part of application No. 15/843,756, filed on Dec. 15, 2017, which is a continuation-in-part of application No. 15/477,744, filed on Apr. 3, 2017, now Pat. No. 9,875,830.
- (51) **LOC (11) Cl.** **13-03**
- (52) **U.S. Cl.**
USPC **D13/160**
- (58) **Field of Classification Search**
USPC D13/107, 112, 118, 123, 158-162, 173, D13/174, 184, 199; D10/106.1, 121; D9/414, 420, 431, 432, 433
CPC H01C 7/126; H01H 83/10; H01R 43/00; H02H 1/00; H02H 3/02; H02H 3/20; H02H 5/04; H02H 9/04
See application file for complete search history.

(56) **References Cited**

U.S. PATENT DOCUMENTS

- 4,039,900 A * 8/1977 Roback H05K 7/209 323/280
- D286,765 S * 11/1986 Prouty D13/159
- 4,913,663 A 4/1990 Siemon
- D333,294 S * 2/1993 Dossey D13/158

OTHER PUBLICATIONS

DITEK—Meet the Deflector, dated Sep. 27, 2018, [online], [site visited Nov. 6, 2018]. Available from Internet, <URL: <https://www.youtube.com/watch?v=vBOWA74WvW4>> (Year: 2018).*

Primary Examiner — Angela J Lee
Assistant Examiner — Shawn T Gingrich
(74) *Attorney, Agent, or Firm* — Larson & Larson, P.A.; Frank Liebenow; Justin P. Miller

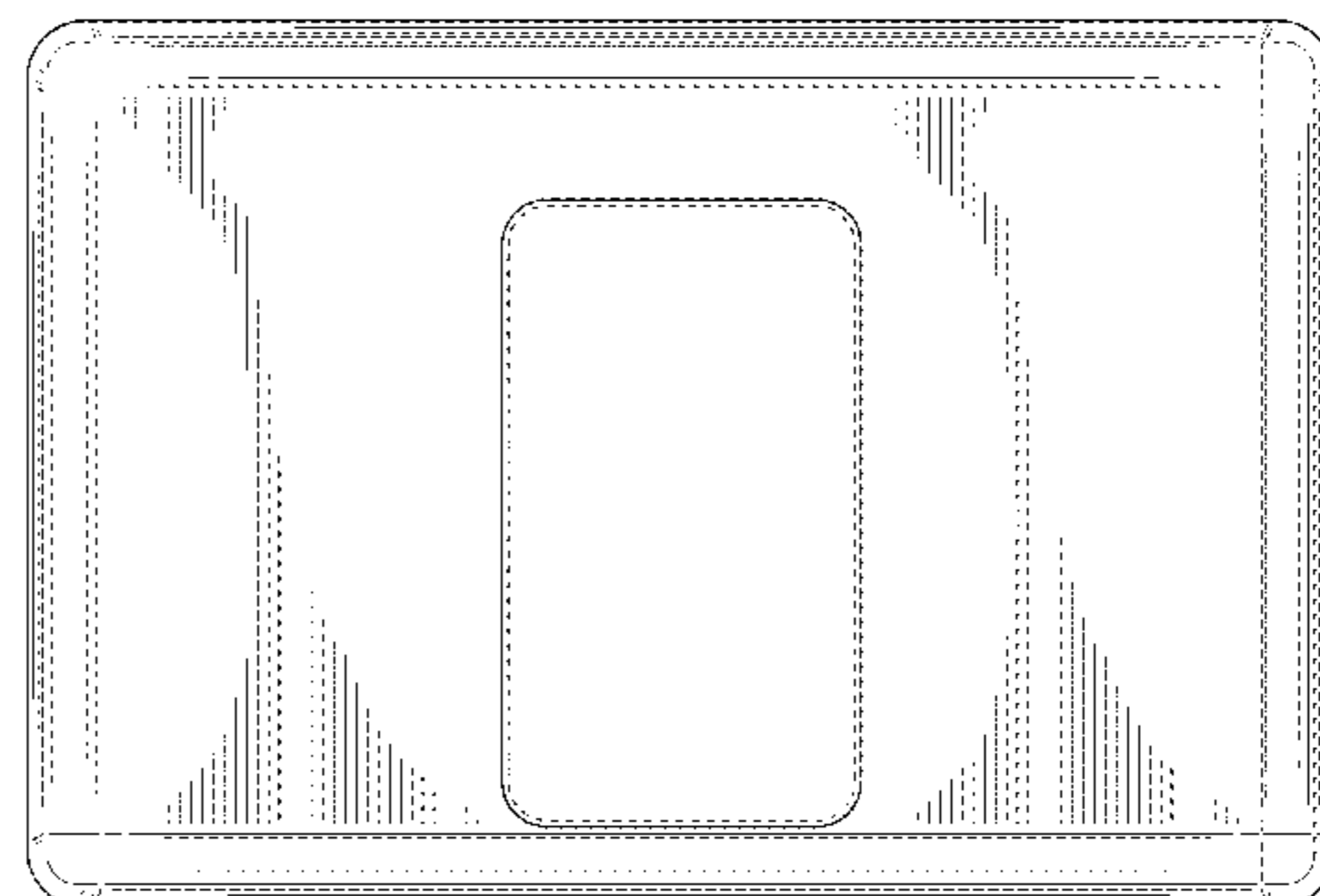
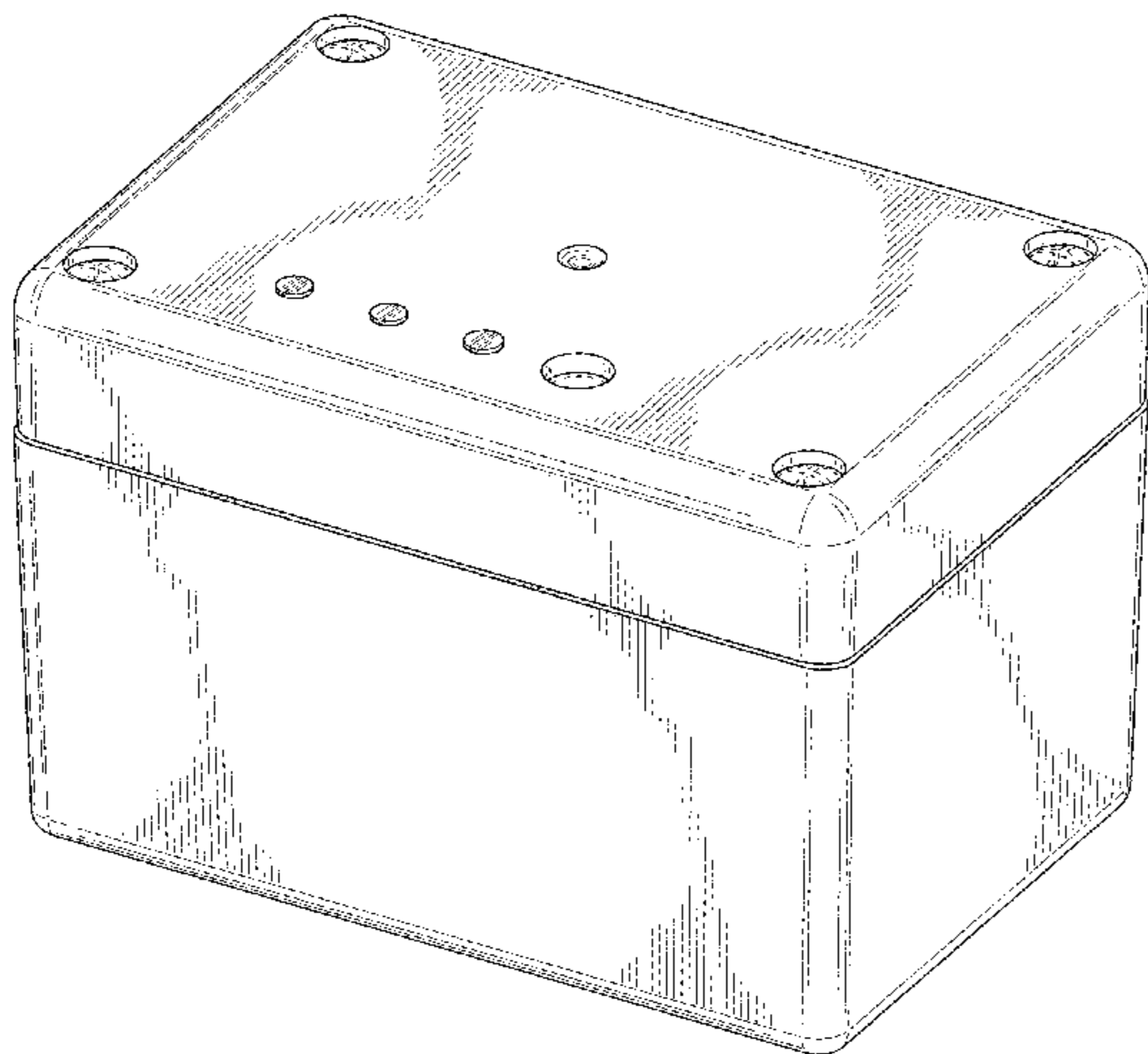
(57) **CLAIM**

The ornamental design for a surge protection module, as shown and described.

DESCRIPTION

FIG. 1 is a perspective view of a surge protection module showing my new design.
FIG. 2 is a front elevation view thereof;
FIG. 3 is a rear elevation view thereof;
FIG. 4 is a right side elevation view thereof;
FIG. 5 is a left side elevation view thereof;
FIG. 6 is a top plan view thereof; and,
FIG. 7 is a bottom plan view thereof.
The broken lines in the drawings illustrate portions of the surge protection module that form no part of the claimed design.

1 Claim, 4 Drawing Sheets



(56)

References Cited

U.S. PATENT DOCUMENTS

D764,280 S * 8/2016 Carnu D9/423
9,583,296 B2 2/2017 Satou
9,875,830 B1 * 1/2018 Gattis H02H 3/08
D826,848 S * 8/2018 Toshiba D13/103
D832,698 S * 11/2018 Uglialoro D9/432
2003/0086228 A1 5/2003 Papallo, Jr.
2008/0030931 A1 2/2008 Kozak
2010/0127625 A1 5/2010 Minarczyk
2011/0013330 A1 1/2011 Crevenat
2012/0161973 A1 6/2012 Hsu
2012/0206848 A1 8/2012 Gillespie
2018/0254629 A1 * 9/2018 Gattis H02H 9/04

* cited by examiner

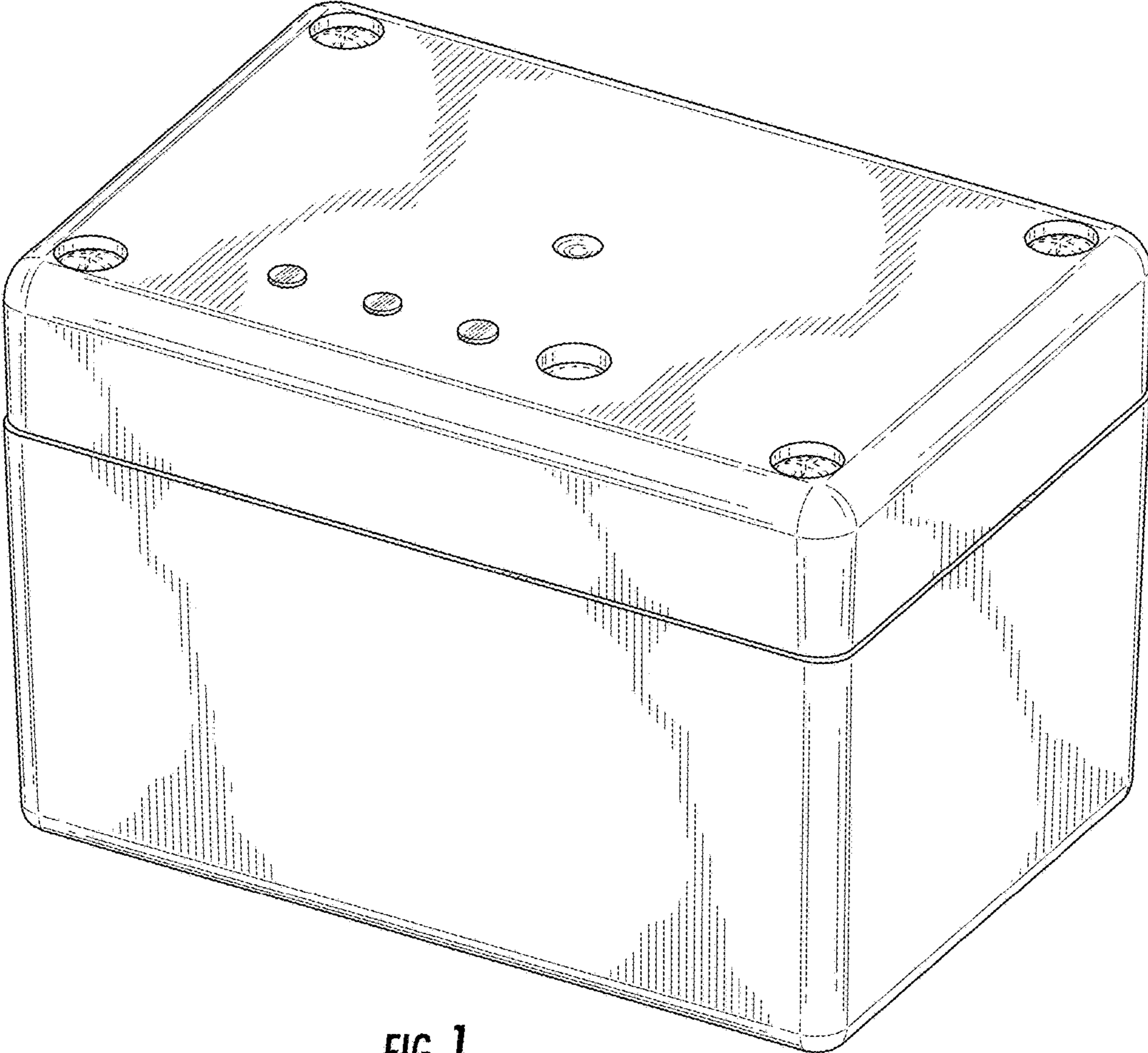


FIG. 1

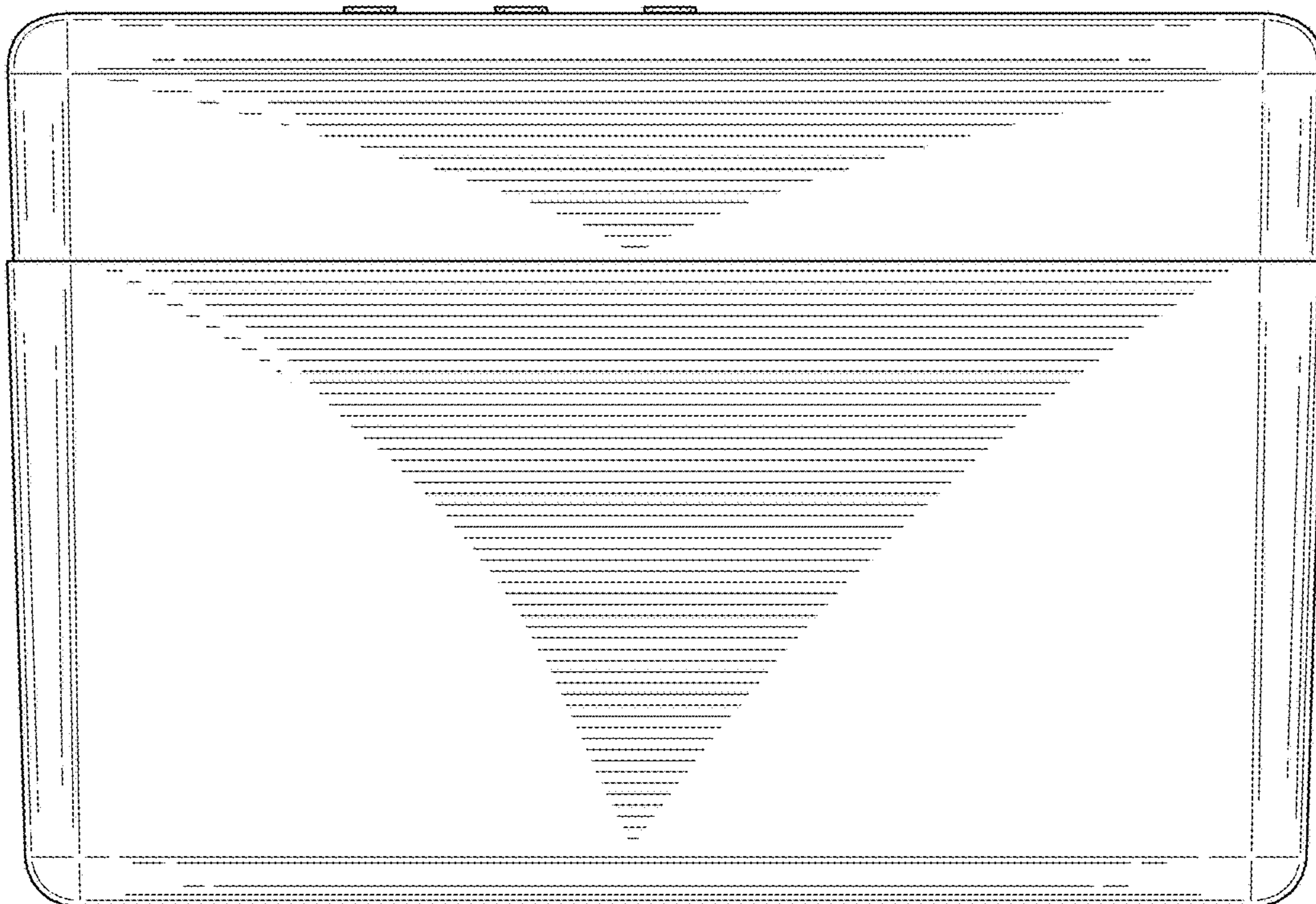


FIG. 2

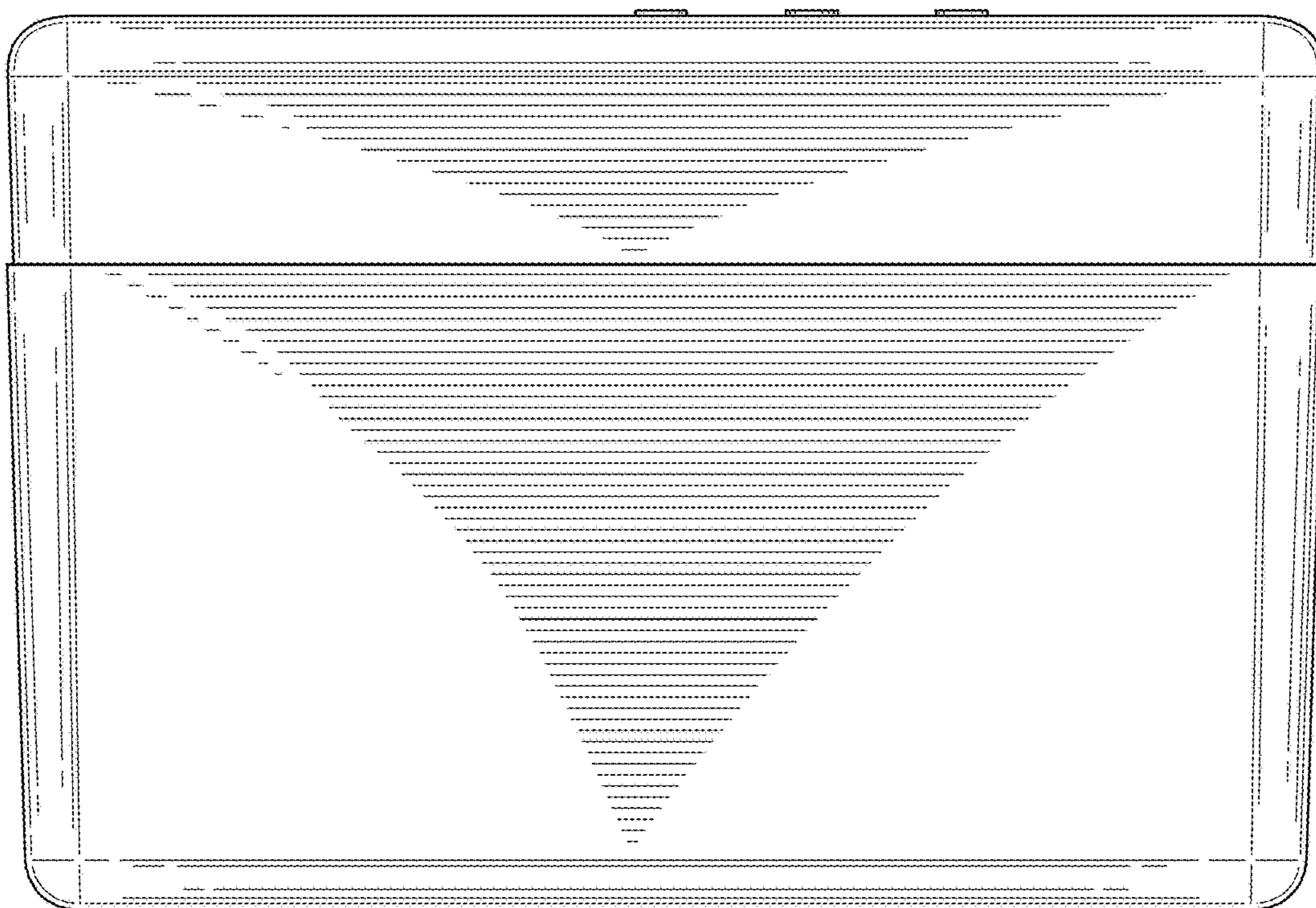


FIG. 3

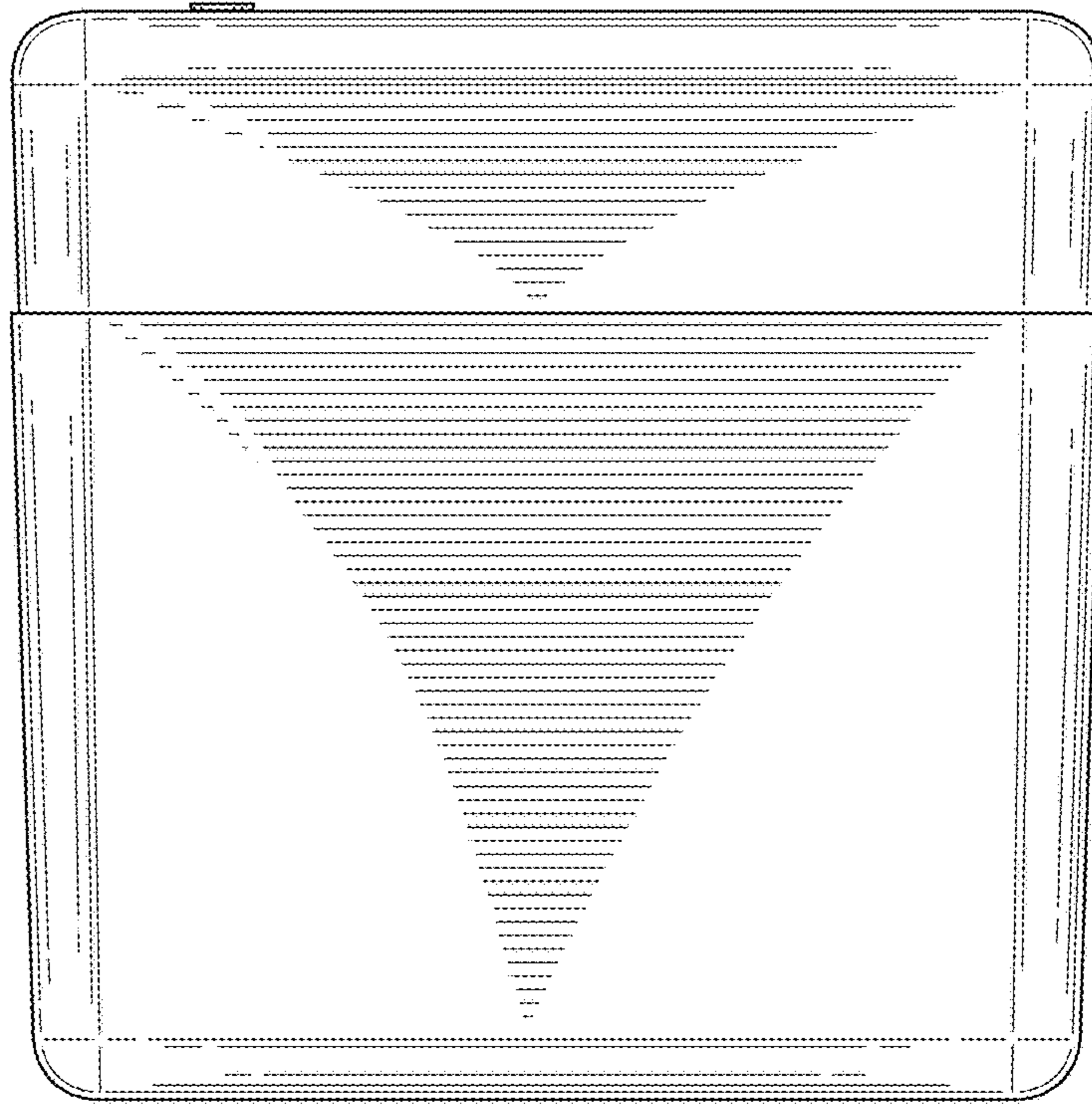


FIG. 4

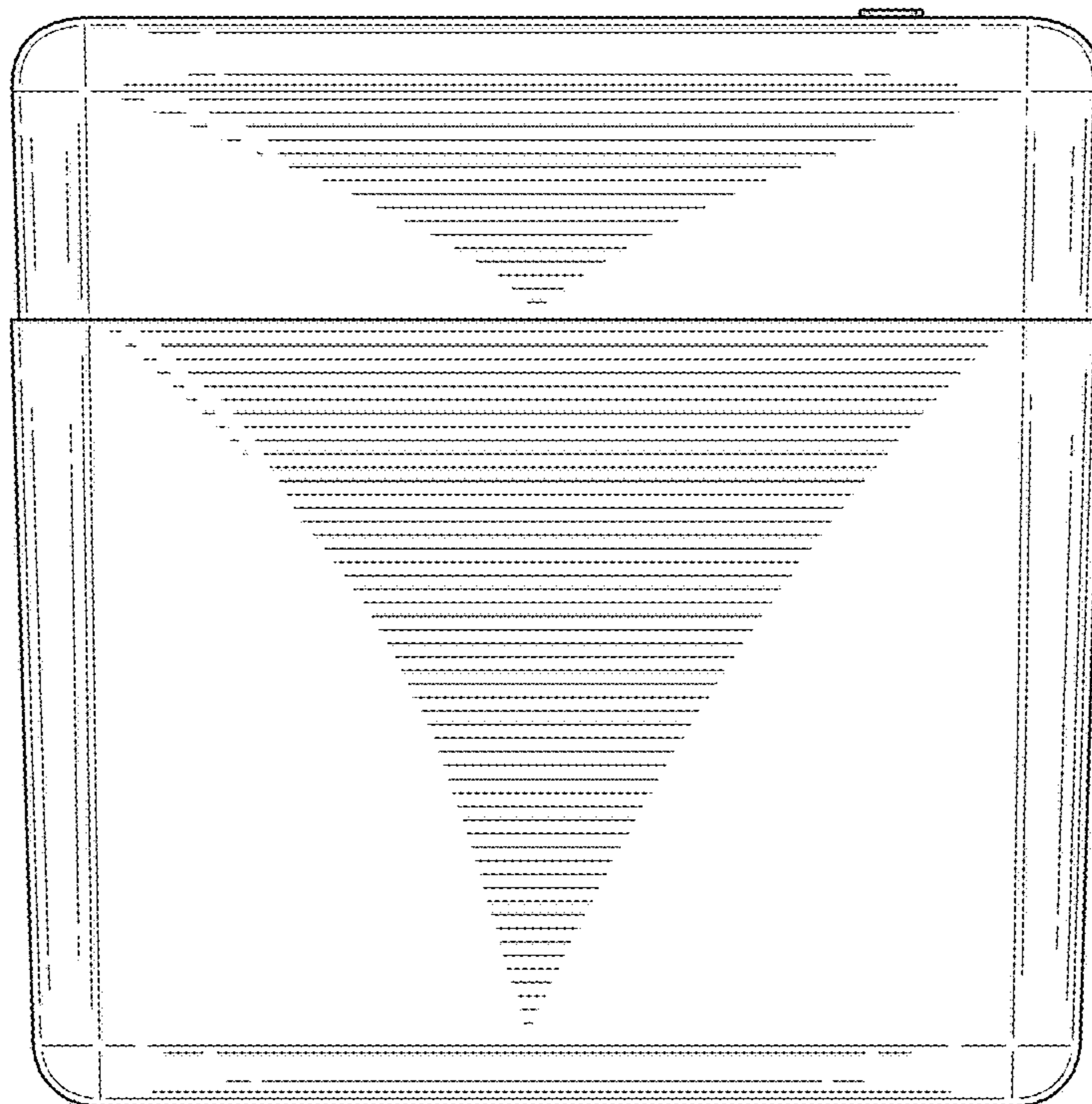


FIG. 5

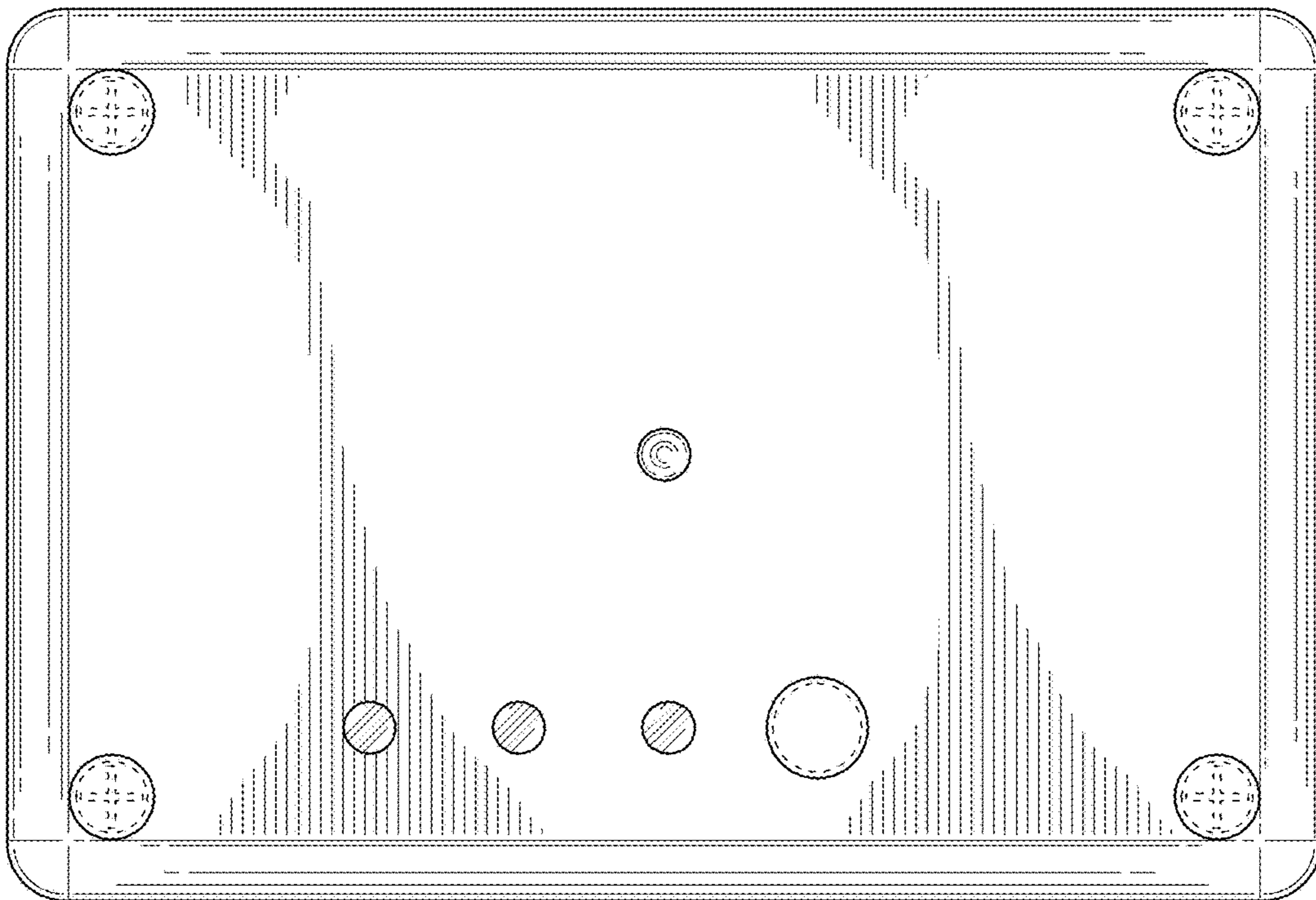


FIG. 6

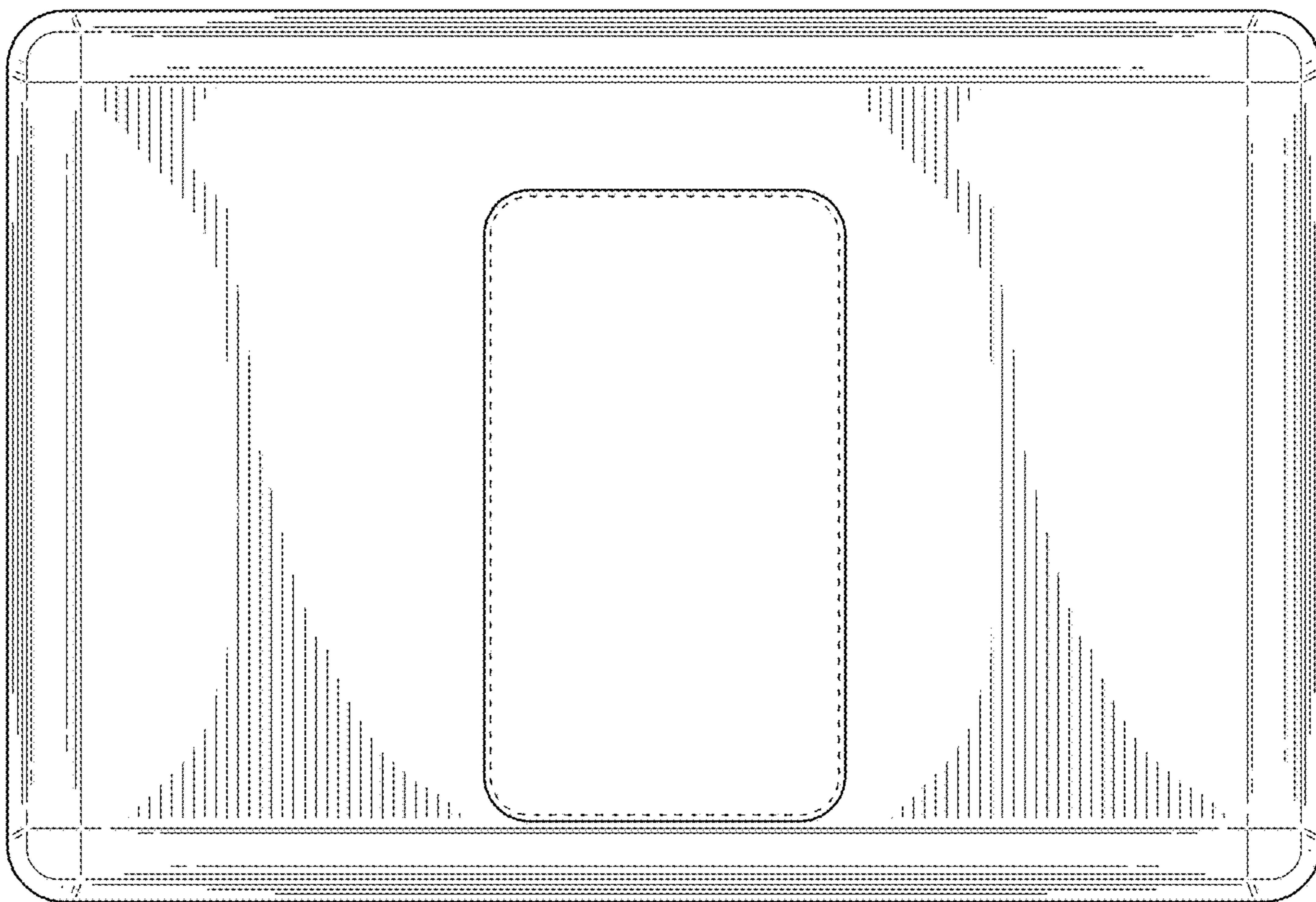


FIG. 7