



US00D840949S

(12) **United States Design Patent** (10) **Patent No.:** **US D840,949 S**
Lorentz (45) **Date of Patent:** **** Feb. 19, 2019**

(54) **CONTROL BOX**

(71) Applicant: **Bernt Lorentz GmbH**,
Henstedt-Ulzburg (DE)

(72) Inventor: **Bernt Lorentz**, Henstedt-Ulzburg (DE)

(73) Assignee: **BERNT LORENTZ GMBH**,
Henstedt-Ulzburg (DE)

(**) Term: **15 Years**

(21) Appl. No.: **29/538,457**

(22) Filed: **Sep. 3, 2015**

(30) **Foreign Application Priority Data**

Mar. 9, 2015 (EP) 002649178-0001

(51) **LOC (11) Cl.** **13-03**

(52) **U.S. Cl.**
USPC **D13/158; D13/177; D13/184**

(58) **Field of Classification Search**

USPC D13/101, 110, 118, 120, 123, 133, 134,
D13/146-149, 152-154, 156, 173, 175,
D13/177, 178, 184, 199; D15/7;
D14/349, 353, 354

CPC A63H 33/04; A63H 33/06; A63H 33/08;
A63H 33/082; A63H 33/084; F04C
2/344; F04C 15/00; F16K 17/20; H05K
5/00; H05K 7/20; H05K 9/00; H01H
9/02; H01H 71/02; H01H 71/04; H01H
33/08; H01H 1/00; G06F 1/18; G06F
1/20; G06F 1/16

See application file for complete search history.

(56) **References Cited**

U.S. PATENT DOCUMENTS

D332,443 S *	1/1993	Sharpe	D13/184
D405,766 S *	2/1999	Hartel	D13/184
D418,812 S *	1/2000	Imamura	D13/123
D427,146 S *	6/2000	Wei	D13/110
D433,677 S *	11/2000	Tsuge	D13/184
D543,503 S *	5/2007	Suzuki	D13/110
D549,687 S *	8/2007	Ichikawa	D14/188
D692,827 S *	11/2013	Chen	D13/110
D723,472 S *	3/2015	Glisson, Jr.	D13/152
D775,234 S *	12/2016	Okuyama	D15/5
D788,097 S *	5/2017	Koike	D13/184

* cited by examiner

Primary Examiner — Angela J Lee

Assistant Examiner — Shawn T Gingrich

(74) *Attorney, Agent, or Firm* — Withrow & Terranova,
P.L.L.C.; Vincent K. Gustafson

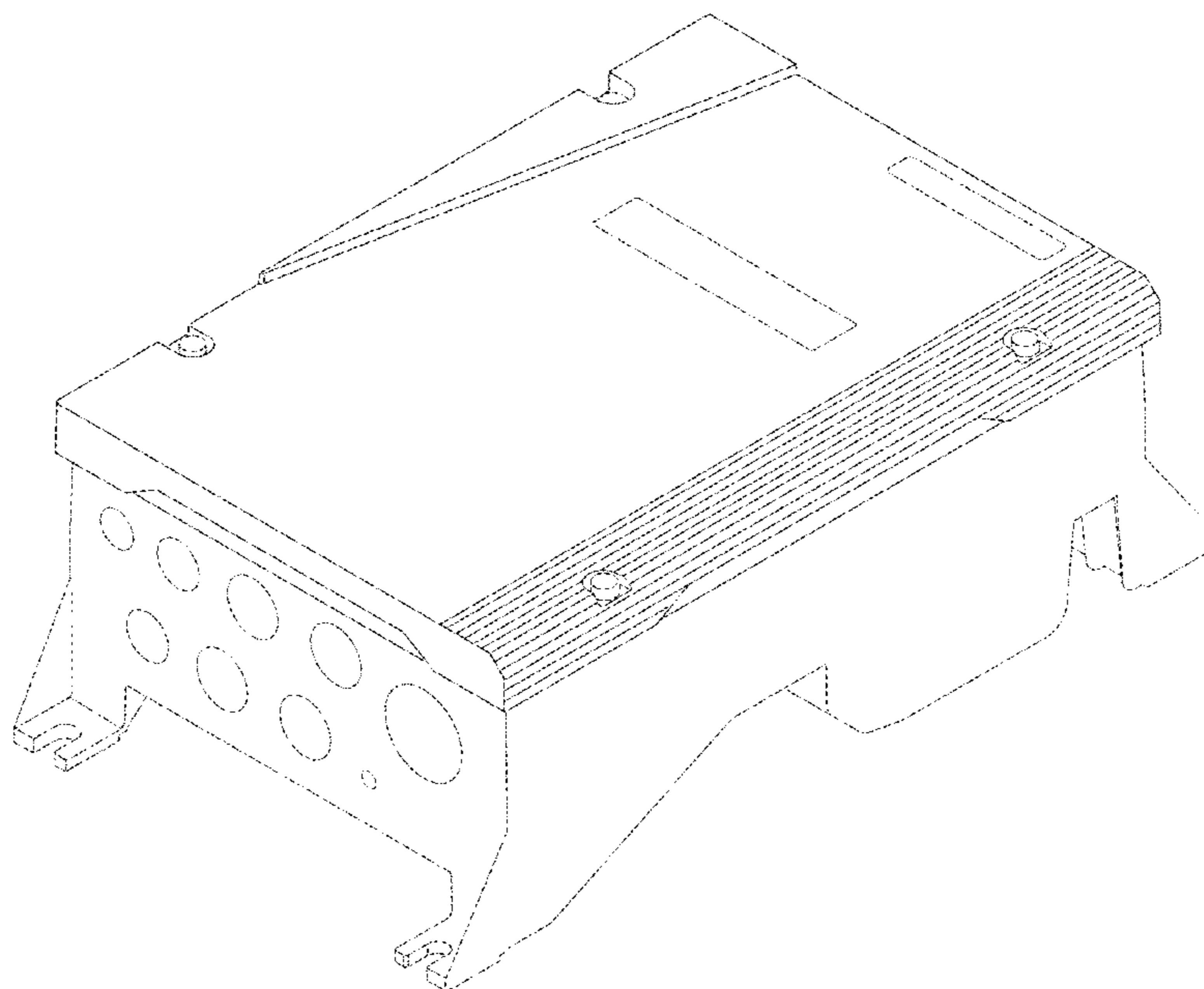
(57) **CLAIM**

The ornamental design for a control box, as shown and described.

DESCRIPTION

FIG. 1 is a bottom plan view of a control box showing my design;
 FIG. 2 is a front elevation view of the control box;
 FIG. 3 is a perspective view of the control box;
 FIG. 4 is a left side elevation view of the control box;
 FIG. 5 is a right side elevation view of the control box; and,
 FIG. 6 is a top plan view of the control box.
 Throughout the Figures, the broken lines are included for the purpose of illustrating the environment of the design and form no part of the claimed design.

1 Claim, 6 Drawing Sheets



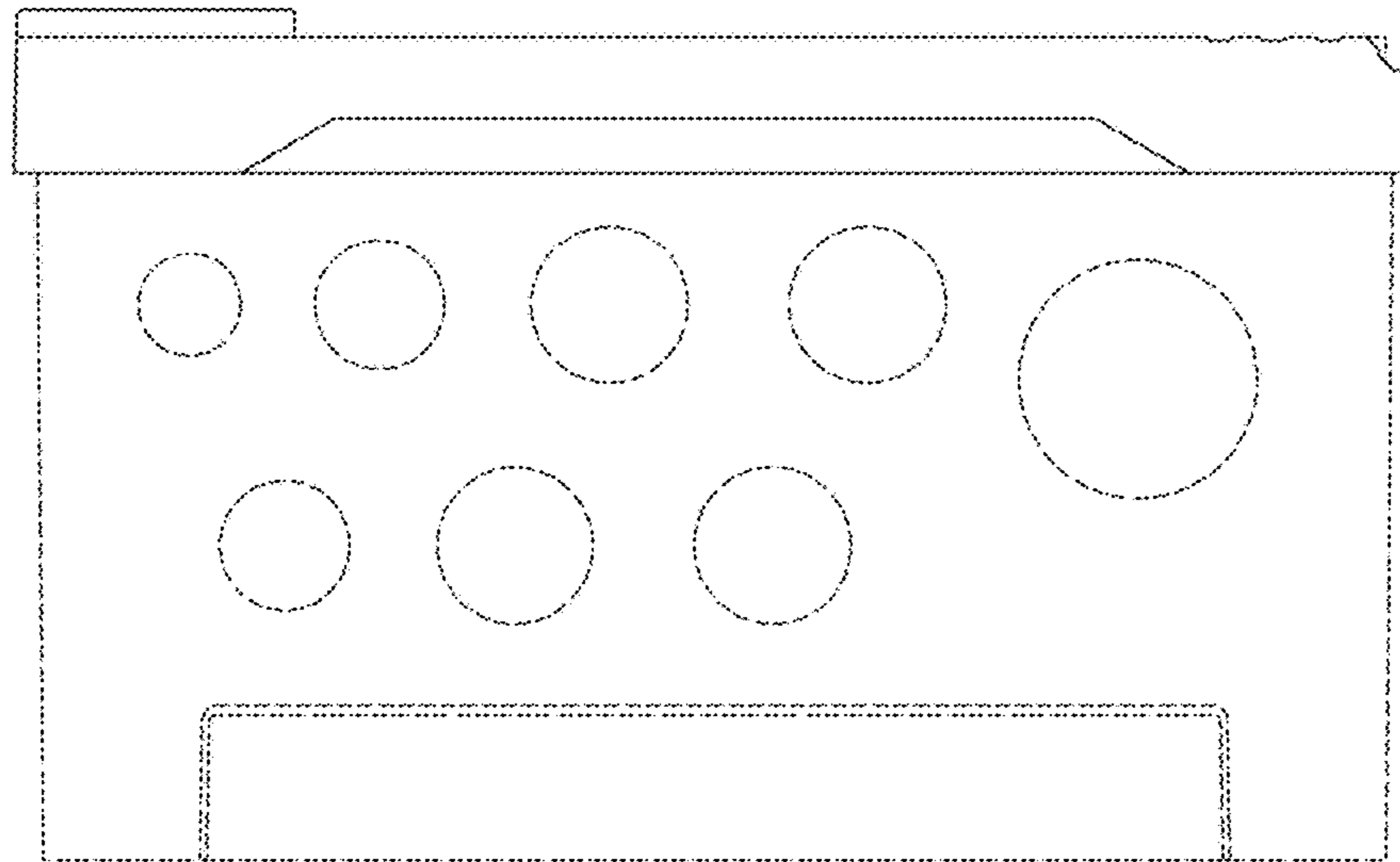


FIG. 1

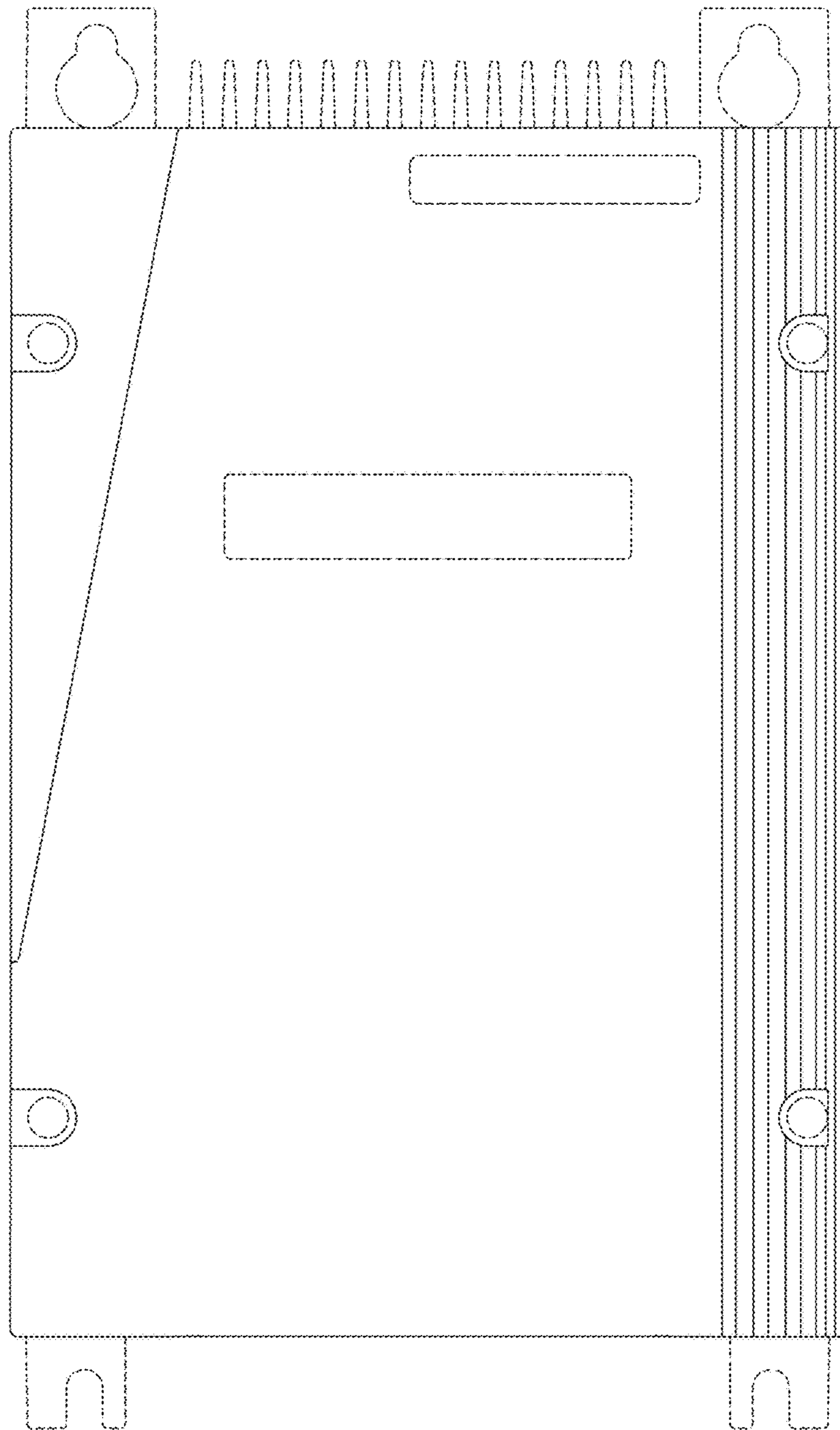


FIG. 2

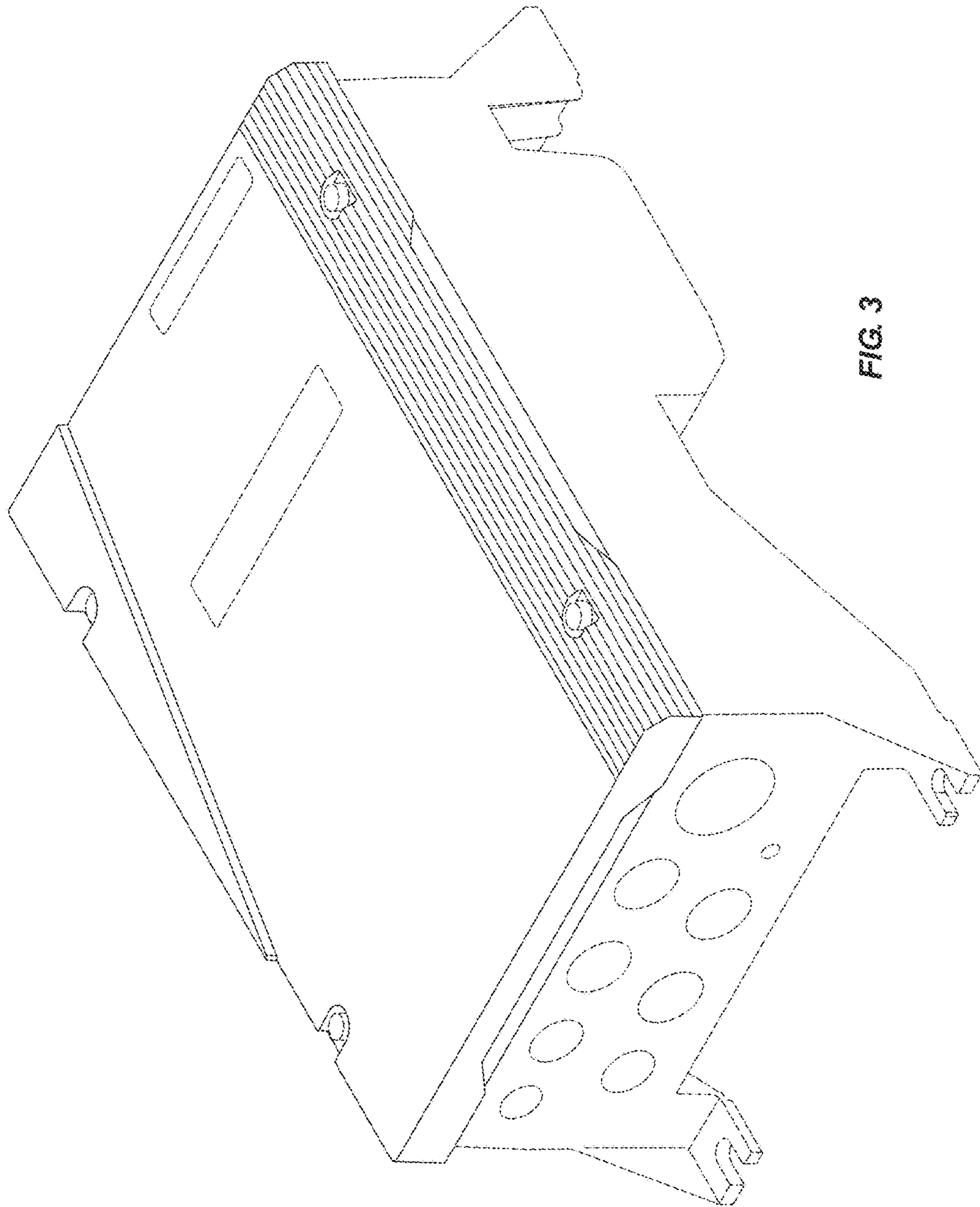


FIG. 3

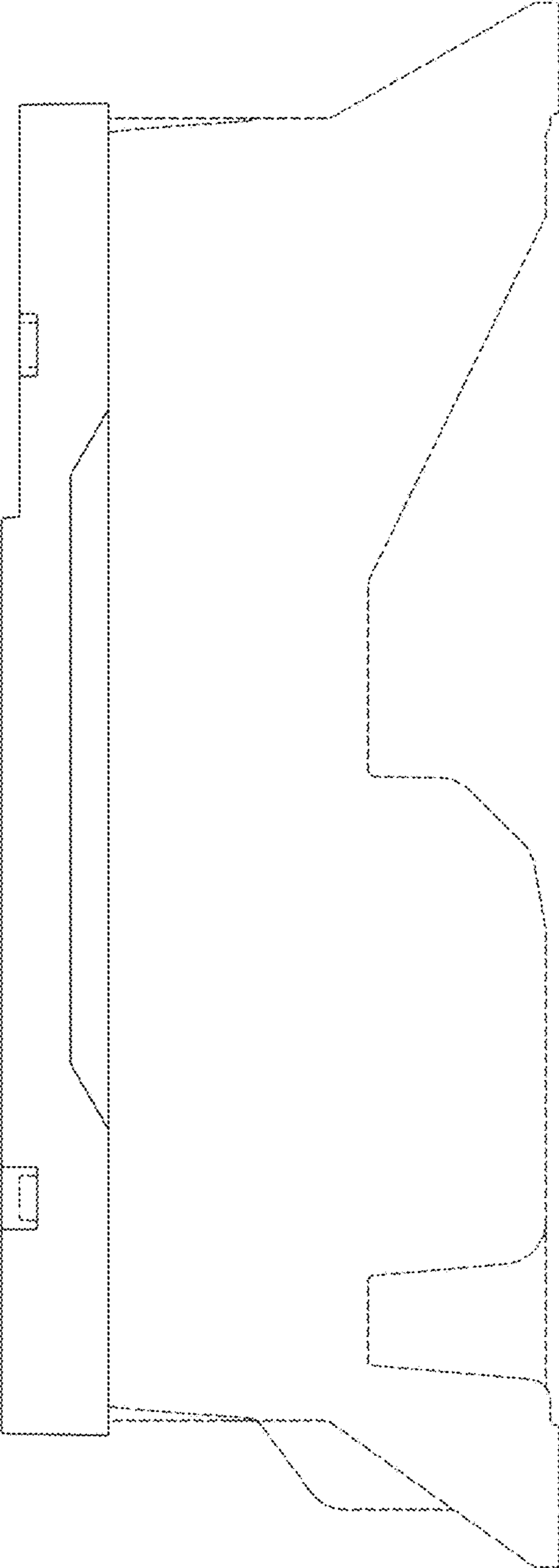


FIG. 4

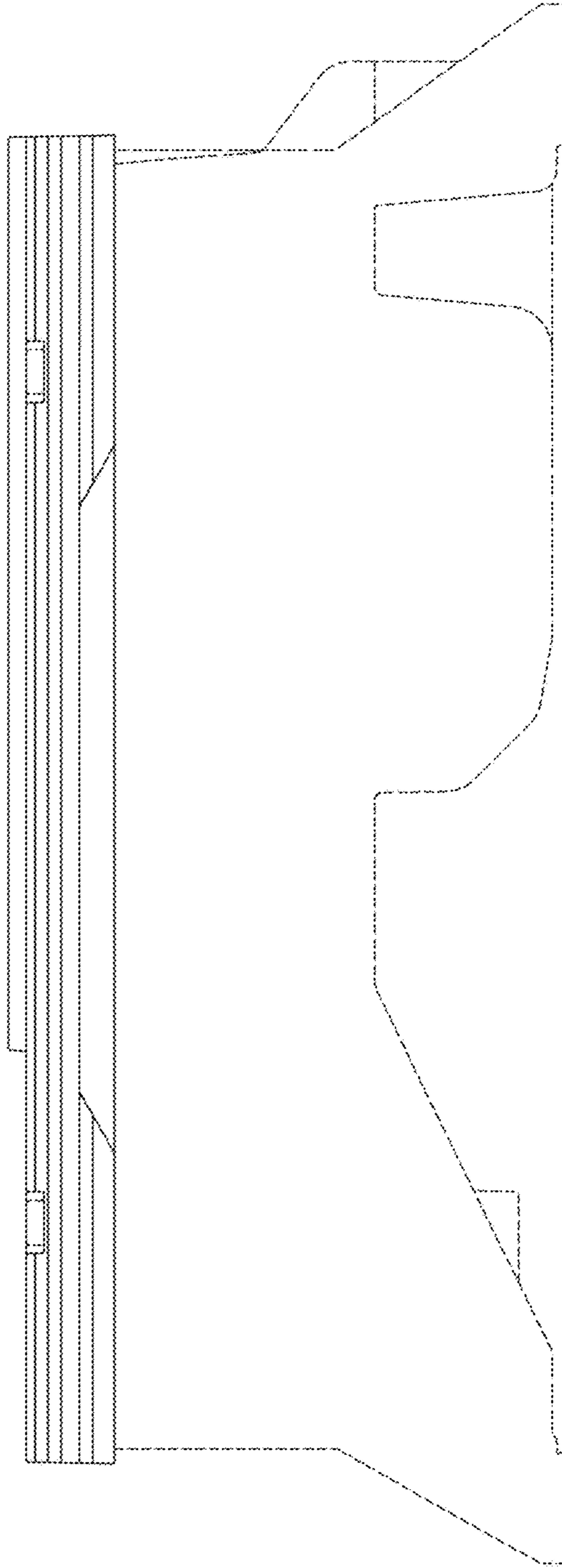


FIG. 5

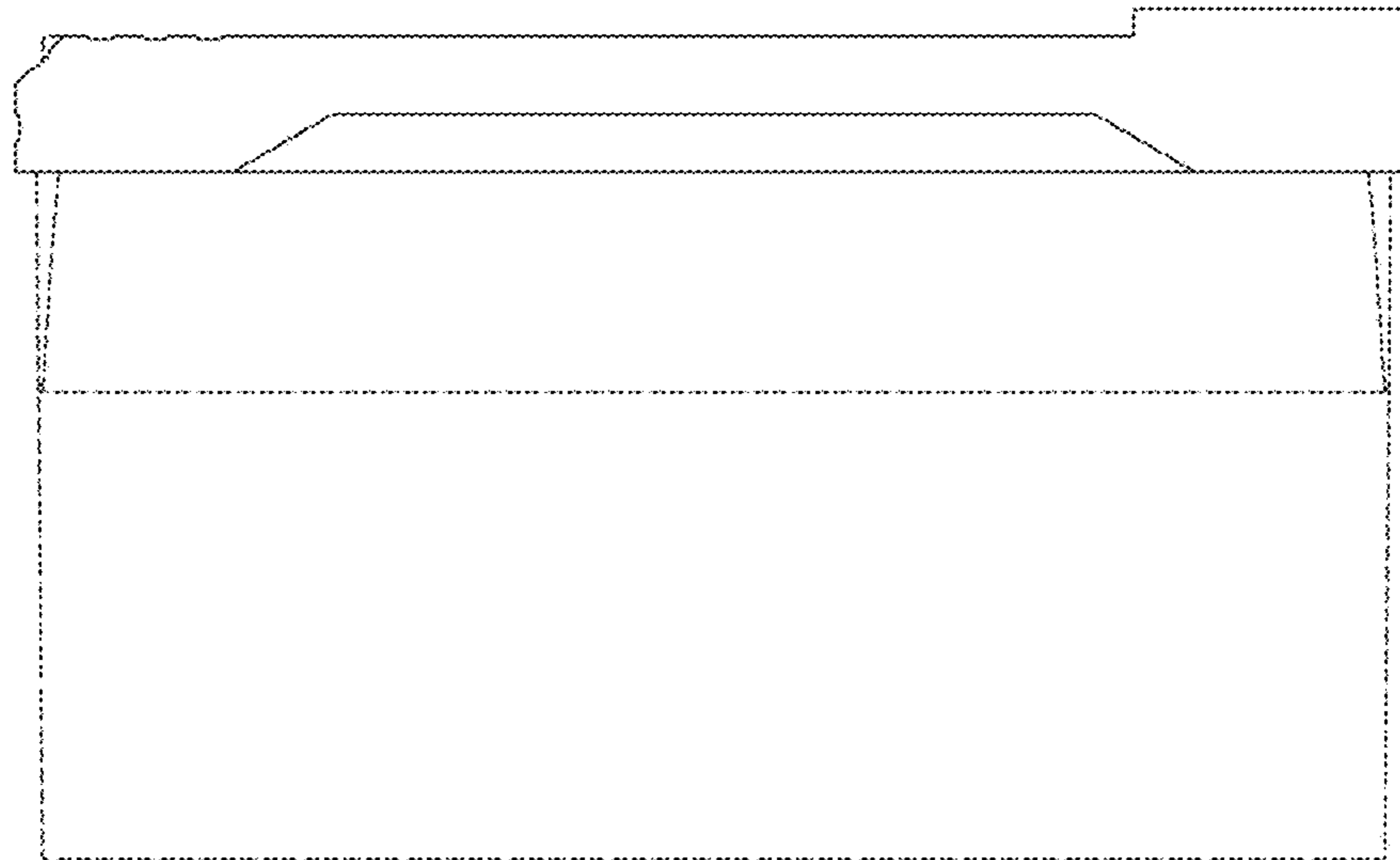


FIG. 6