



US00D840948S

(12) **United States Design Patent**
Smith

(10) **Patent No.:** **US D840,948 S**

(45) **Date of Patent:** **** Feb. 19, 2019**

- (54) **EXPANSION COUPLER**
- (71) Applicant: **Bridgeport Fittings, Inc.**, Stratford, CT (US)
- (72) Inventor: **Lawrence J. Smith**, Stamford, CT (US)
- (73) Assignee: **Bridgeport Fittings, Inc.**, Stratford, CT (US)
- (**) Term: **15 Years**
- (21) Appl. No.: **29/616,779**
- (22) Filed: **Sep. 8, 2017**
- (51) **LOC (11) Cl.** **13-03**
- (52) **U.S. Cl.**
USPC **D13/155**
- (58) **Field of Classification Search**
USPC D8/356, 394-396; D13/155, 156, D13/120-121, 123, 133, 154, 158, 160, D13/173, 178, 184, 199; 439/723, 752, 439/135, 149, 367
CPC H02G 3/32; H01R 13/6392; H01R 13/424; H01R 13/426; H01R 13/4362; H01R 13/5213
See application file for complete search history.

- D408,365 S * 4/1999 Sanders D13/153
- D444,452 S * 7/2001 Smith D13/154
- 6,715,803 B1 4/2004 Pahl
- 6,872,886 B2 * 3/2005 Kiely H02G 3/0691
16/2.1
- 7,433,571 B2 * 10/2008 Kendricks G09F 3/00
385/136
- 7,550,669 B2 * 6/2009 Rizzuto, Jr. F16L 25/10
138/120
- 7,563,100 B1 7/2009 Smith
- 7,883,338 B2 2/2011 Smith
- 8,007,284 B2 8/2011 Smith
- D689,026 S 9/2013 Smith
- D691,963 S 10/2013 Smith
- D702,542 S * 4/2014 Smith H02G 3/06
D8/396
- 8,690,194 B1 4/2014 Smith
- D713,357 S * 9/2014 Wang D13/156

(Continued)

Primary Examiner — Derrick E Holland
Assistant Examiner — Jennifer O King
 (74) *Attorney, Agent, or Firm* — Ware, Fressola, Maguire & Barber LLP

(57) **CLAIM**

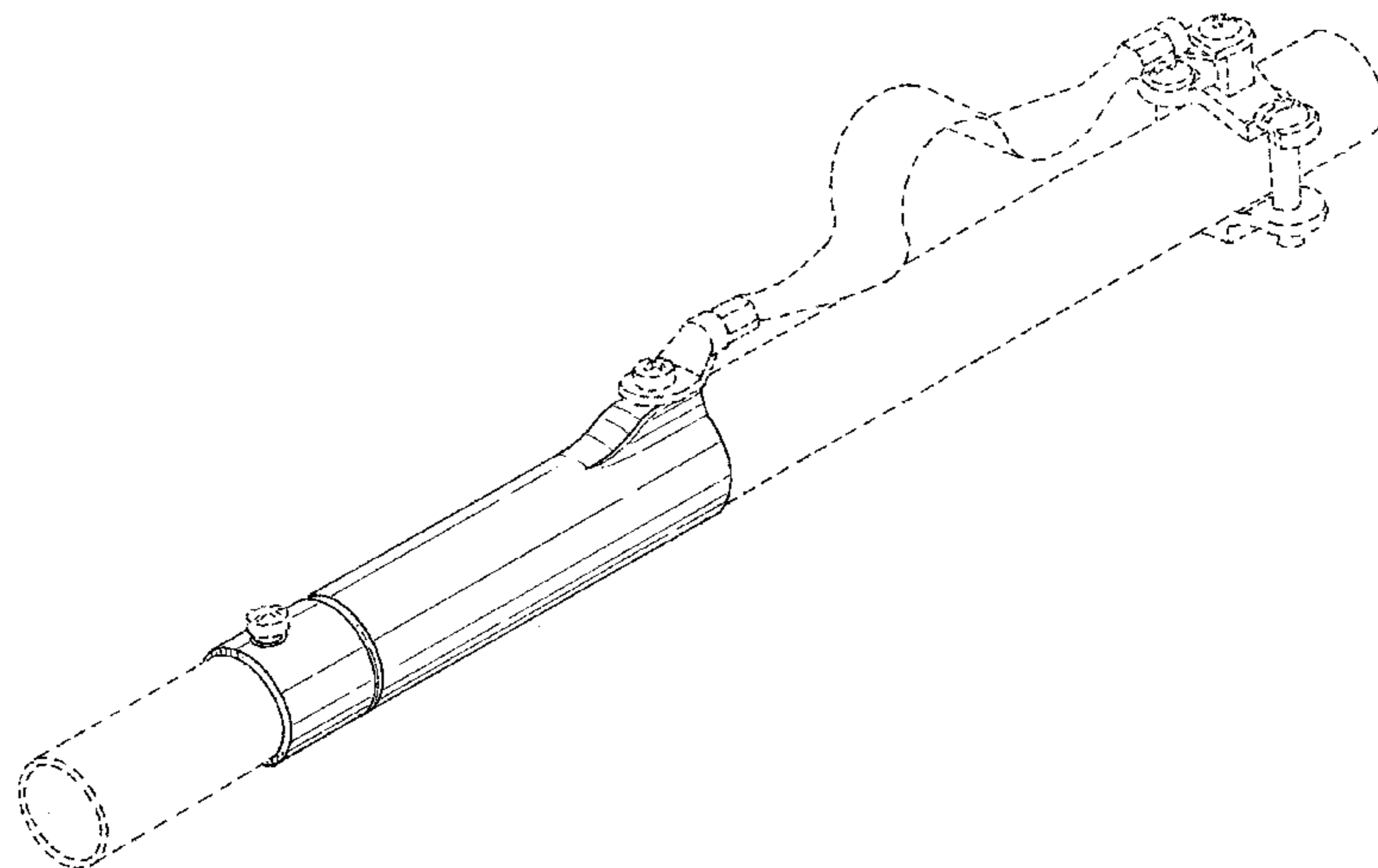
The ornamental design for an expansion coupler, as shown and described.

DESCRIPTION

FIG. 1 is a front perspective view of an expansion coupler of my new design shown in environmental use.
 FIG. 2 is a rear perspective view thereof.
 FIG. 3 is a right side view thereof, the left side view being a mirror image thereof.
 FIG. 4 is a front view thereof.
 FIG. 5 is a rear view thereof.
 FIG. 6 is a top view thereof; and,
 FIG. 7 is a bottom view thereof.
 The broken lines shown represent environmental subject matter and form no part of the claimed design.

1 Claim, 4 Drawing Sheets

- (56) **References Cited**
U.S. PATENT DOCUMENTS
- 3,163,703 A * 12/1964 McLoad G01K 13/10
174/11 R
- 3,376,540 A * 4/1968 Turban H01R 13/501
439/595
- 4,032,205 A * 6/1977 Taj H02G 15/068
174/78
- 4,384,404 A * 5/1983 Watine H01R 4/723
29/871
- 4,965,410 A * 10/1990 Spector H01R 4/723
174/77 R
- D361,751 S * 8/1995 Geis D13/154



(56)

References Cited

U.S. PATENT DOCUMENTS

9,343,883 B2 5/2016 DeCesare et al.
9,787,070 B2 10/2017 DeCesare et al.
2014/0265321 A1 9/2014 DeCesare et al.

* cited by examiner

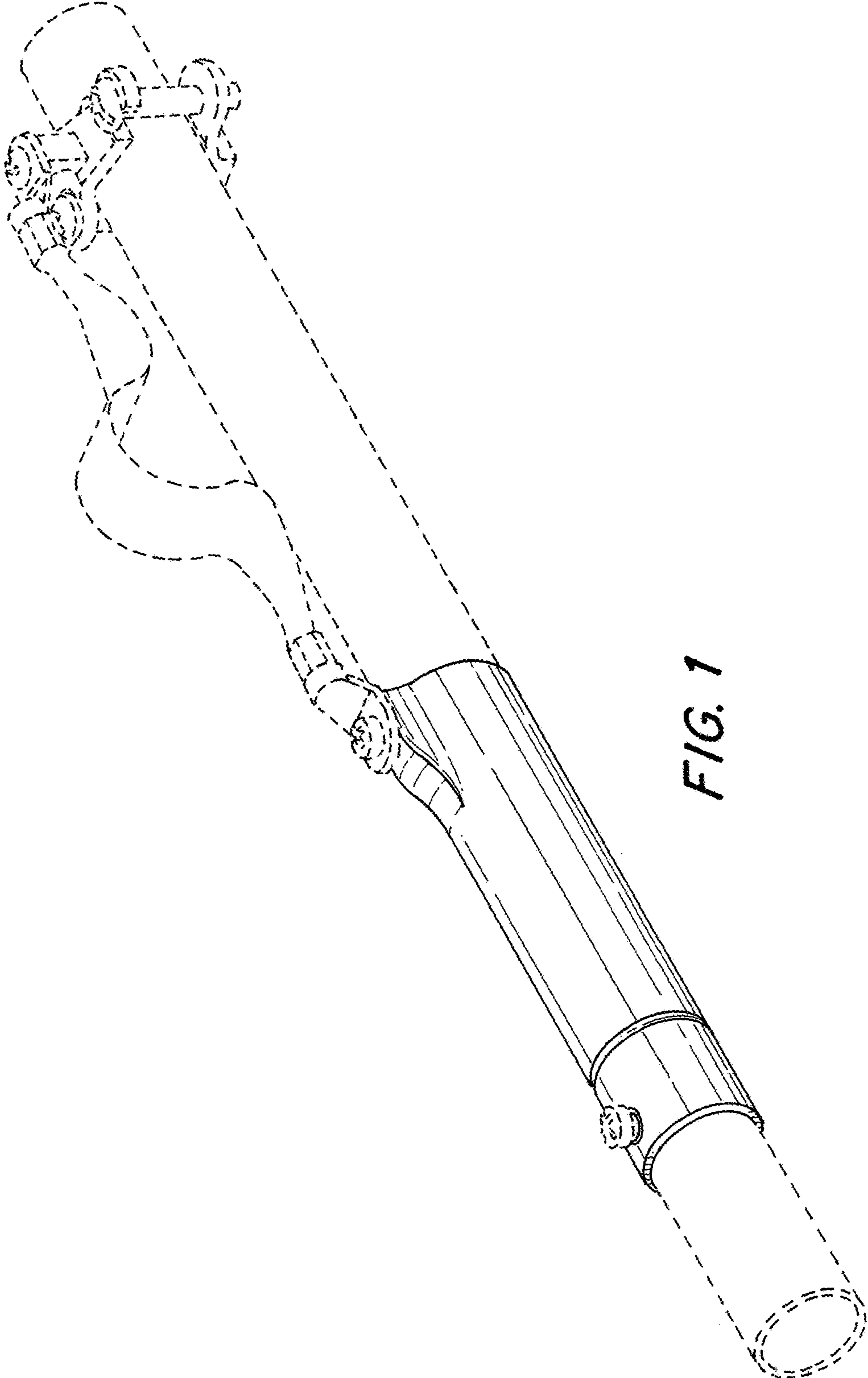


FIG. 1

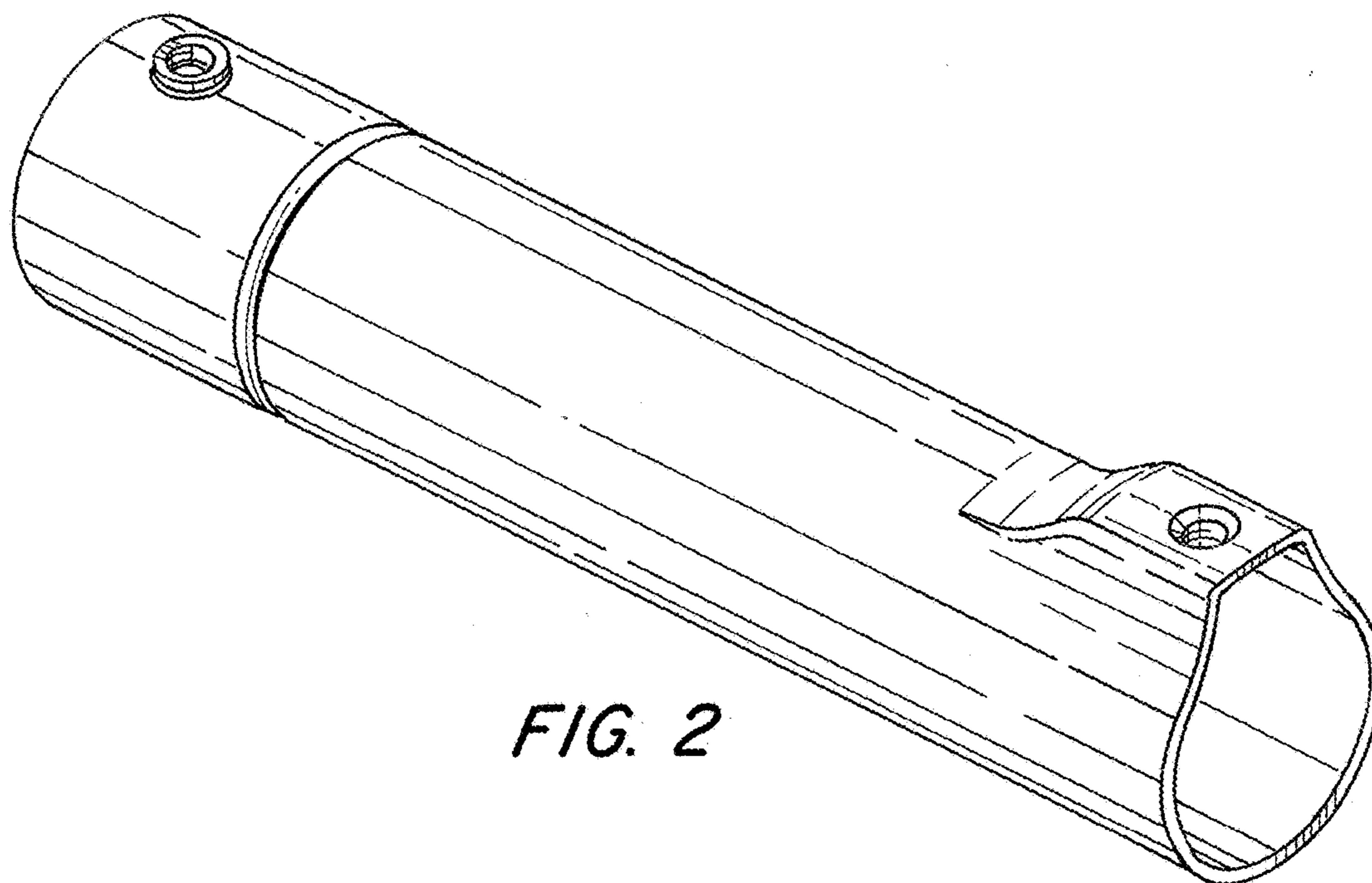


FIG. 2

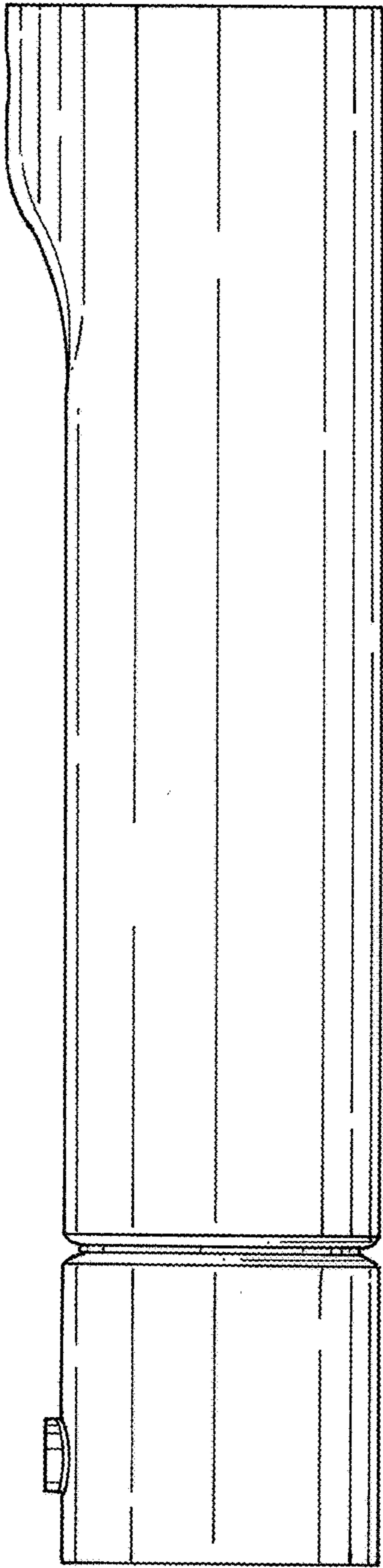


FIG. 3

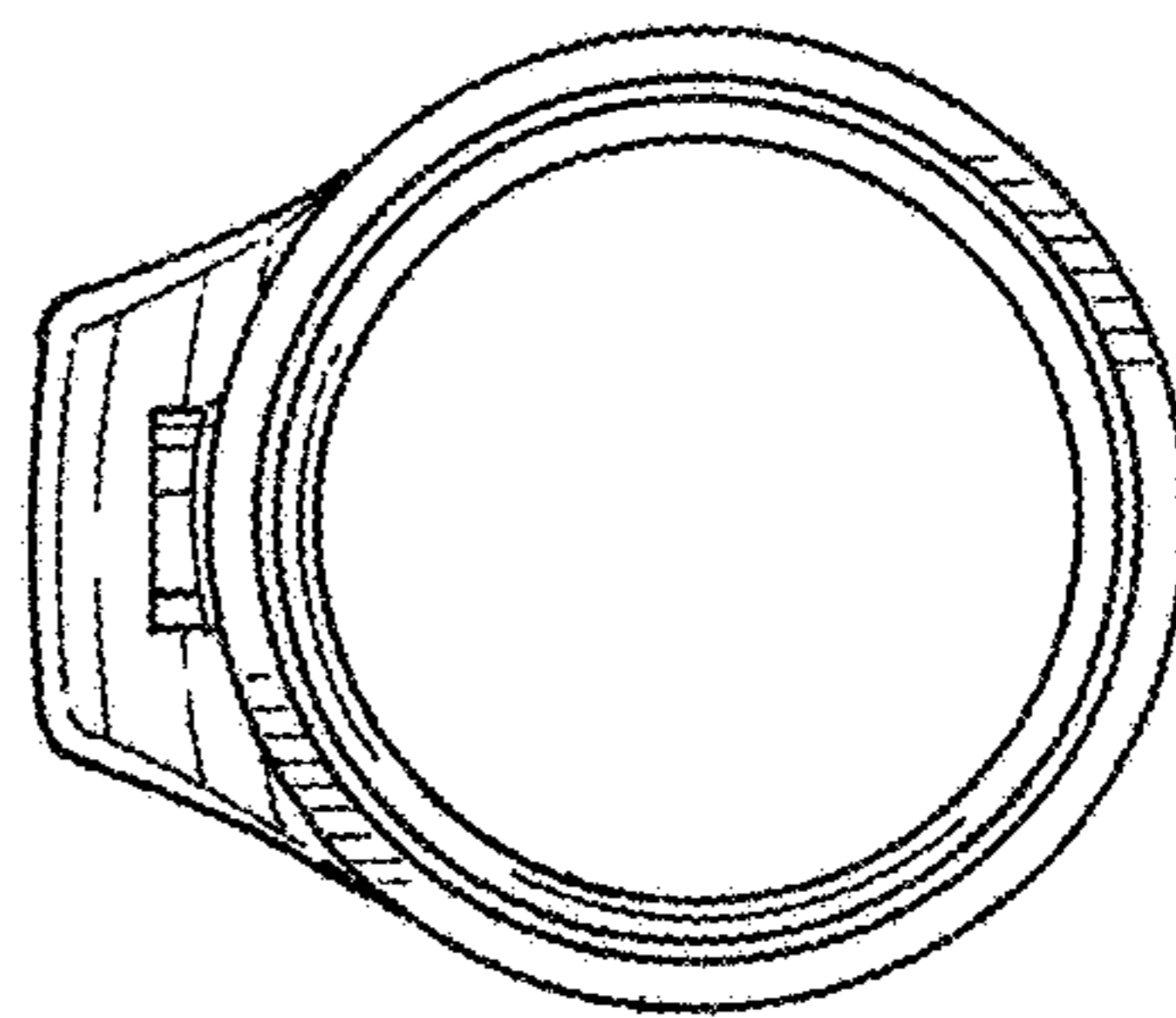


FIG. 4

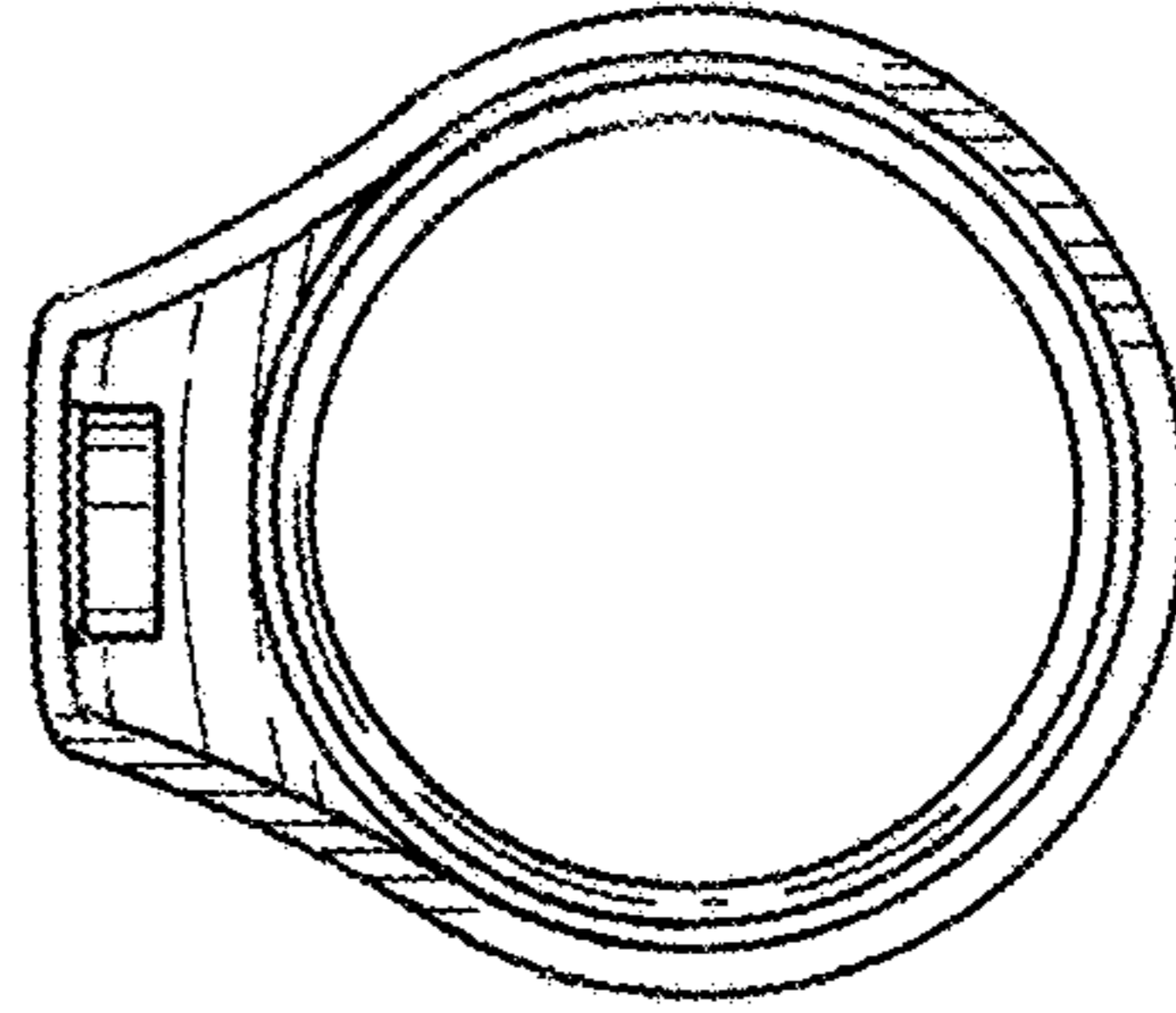


FIG. 5

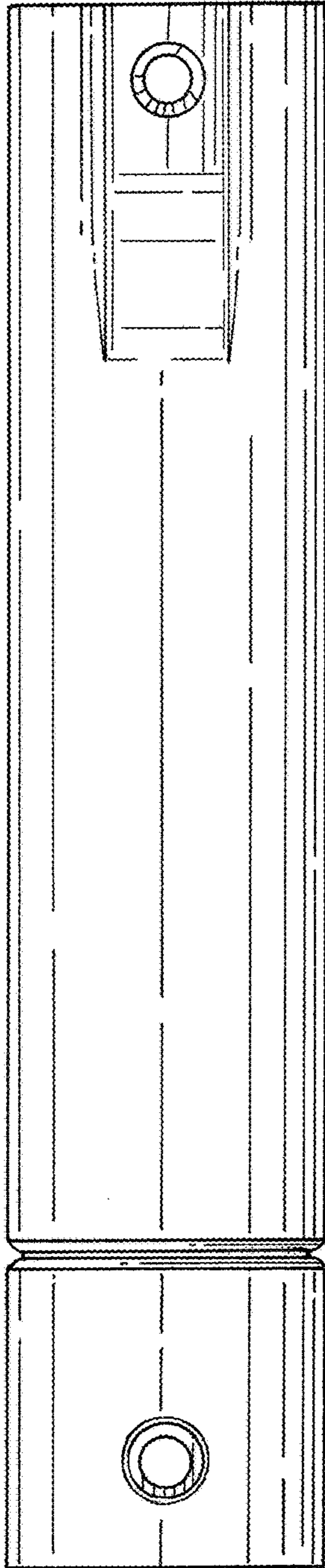


FIG. 6

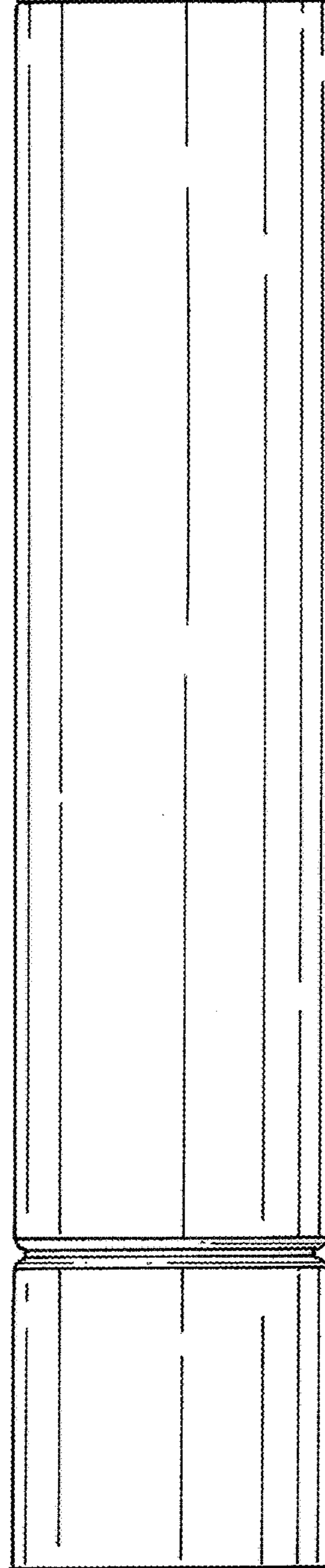


FIG. 7