



US00D840947S

(12) **United States Design Patent**
Pierce

(10) **Patent No.:** **US D840,947 S**

(45) **Date of Patent:** **** Feb. 19, 2019**

(54) **CABLE STORAGE AND PROVISIONING DEVICE**

(71) Applicant: **Mothers Lounge, LLC**, Pleasant Grove, UT (US)

(72) Inventor: **Kaleb Pierce**, Pleasant Grove, UT (US)

(73) Assignee: **Mothers Lounge, LLC**, Pleasant Grove, UT (US)

(**) Term: **15 Years**

(21) Appl. No.: **29/566,252**

(22) Filed: **May 27, 2016**

(51) **LOC (11) Cl.** **13-03**

(52) **U.S. Cl.**
USPC **D13/155**

(58) **Field of Classification Search**
USPC D13/110, 123, 133, 137.1, 139.1, 139.4, D13/152, 154, 155, 156, 158, 162, 164, D13/173, 177, 184; D8/349-351, 353; 174/67, 66; D10/49; 439/147-149, 373, 439/391, 535, 536, 538
CPC H02G 11/02; B65H 2701/3919; B65H 75/48; H01R 13/72

See application file for complete search history.

(56) **References Cited**

U.S. PATENT DOCUMENTS

- 3,056,863 A * 10/1962 Johnson H01R 13/72
191/12.4
- 4,901,938 A * 2/1990 Cantley B65H 75/44
242/378.1
- D331,915 S * 12/1992 Martin D13/154
- D355,889 S * 2/1995 Salvati D13/139.7
- 5,641,067 A * 6/1997 Ellis H02G 11/02
174/DIG. 9
- D521,941 S * 5/2006 Phung D13/156

- 7,093,783 B2 * 8/2006 Warren B65H 75/48
242/378.1
- D556,492 S * 12/2007 Diz D6/632
- D640,199 S * 6/2011 Wilson D13/139.7
- 8,091,820 B2 * 1/2012 Thorn B65H 75/143
242/388.1
- D721,335 S * 1/2015 Smeja D13/155
- D730,826 S * 6/2015 Moanack D13/110
- D795,820 S * 8/2017 Wengreen D13/155
- D810,698 S * 2/2018 Hahn D13/156

(Continued)

Primary Examiner — Derrick E Holland

Assistant Examiner — Jennifer O King

(74) *Attorney, Agent, or Firm* — Kilpatrick Townsend & Stockton LLP

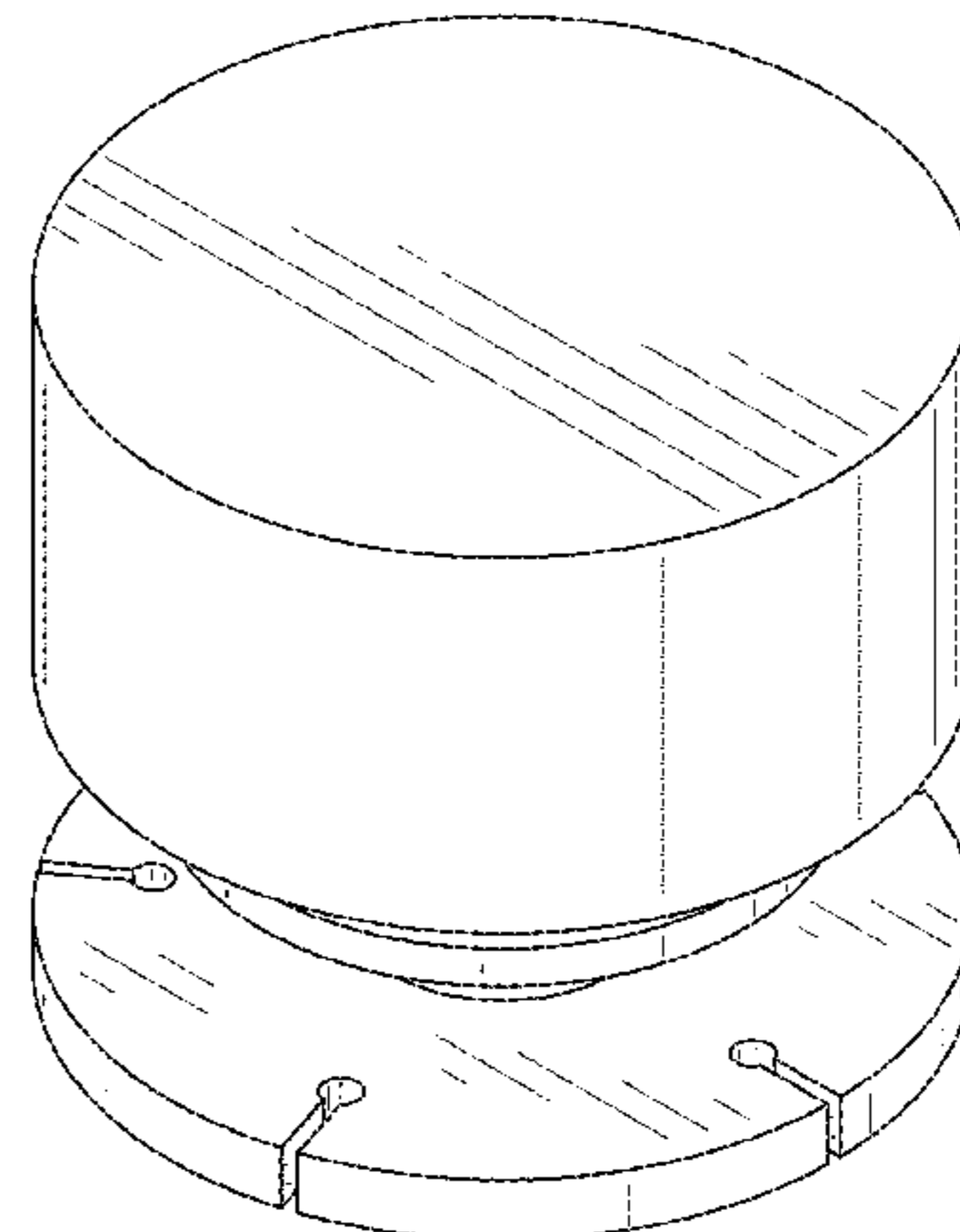
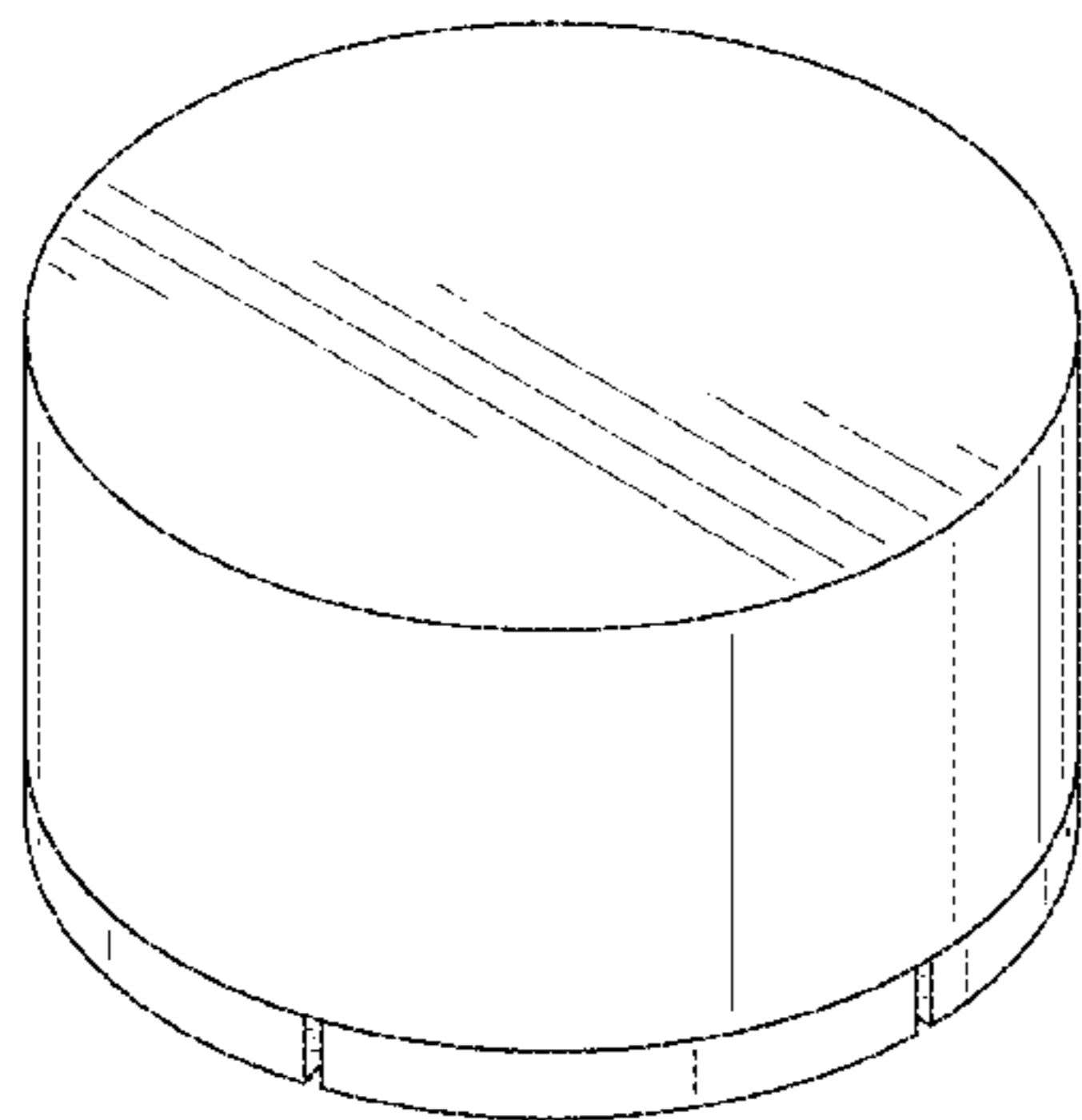
(57) **CLAIM**

The ornamental design for a cable storage and provisioning device, as shown and described.

DESCRIPTION

FIG. 1 is a perspective view of a cable storage and provisioning device in a closed position, showing our new design; FIG. 2 is a top view thereof; FIG. 3 is a bottom view thereof; FIG. 4 is a front view thereof; FIG. 5 is a back view thereof; FIG. 6 is a left side view thereof; FIG. 7 is a right side view thereof; FIG. 8 is a perspective view of the cable storage and provisioning device in an open position; FIG. 9 is a different perspective view thereof; FIG. 10 is another different perspective view thereof; FIG. 11 is a top view thereof; FIG. 12 is a bottom view thereof; FIG. 13 is a front view thereof; FIG. 14 is a back view thereof; FIG. 15 is a left side view thereof; and, FIG. 16 is a right side view thereof.

1 Claim, 10 Drawing Sheets



(56)

References Cited

U.S. PATENT DOCUMENTS

9,890,012 B1 * 2/2018 Polen B65H 75/406
9,908,742 B2 * 3/2018 Mertesdorf B65H 75/4402

* cited by examiner

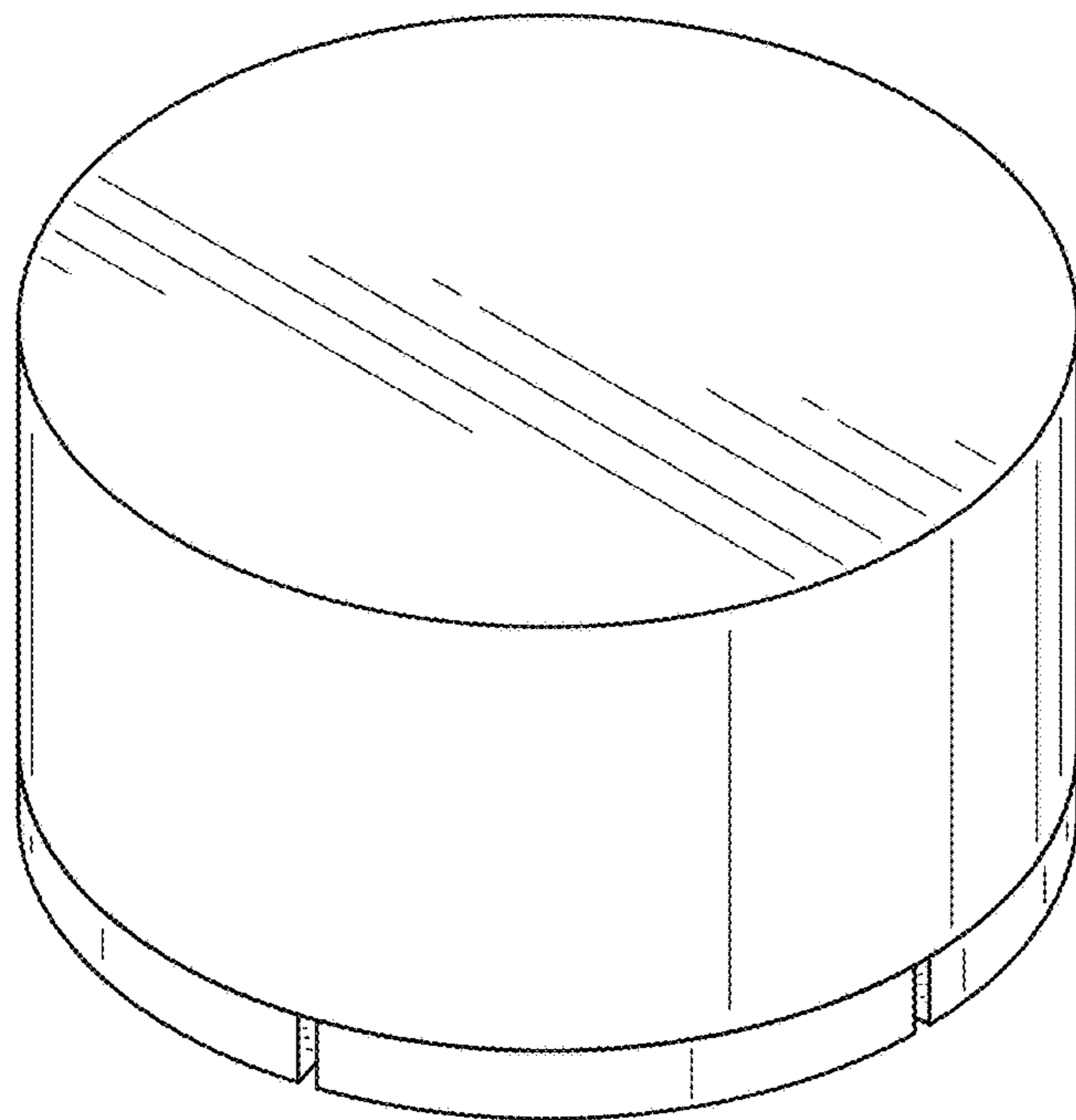


FIG.1

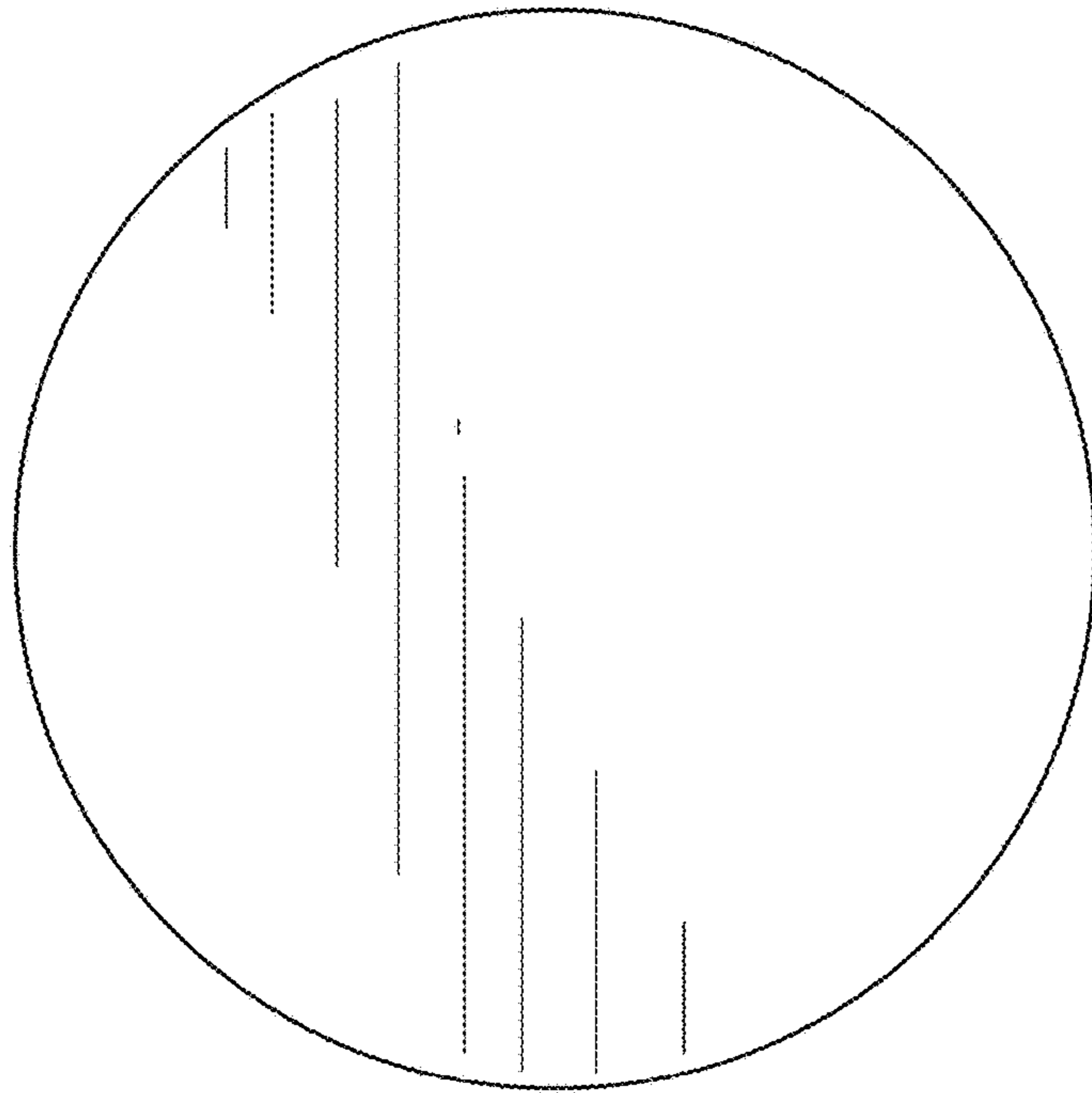


FIG. 2

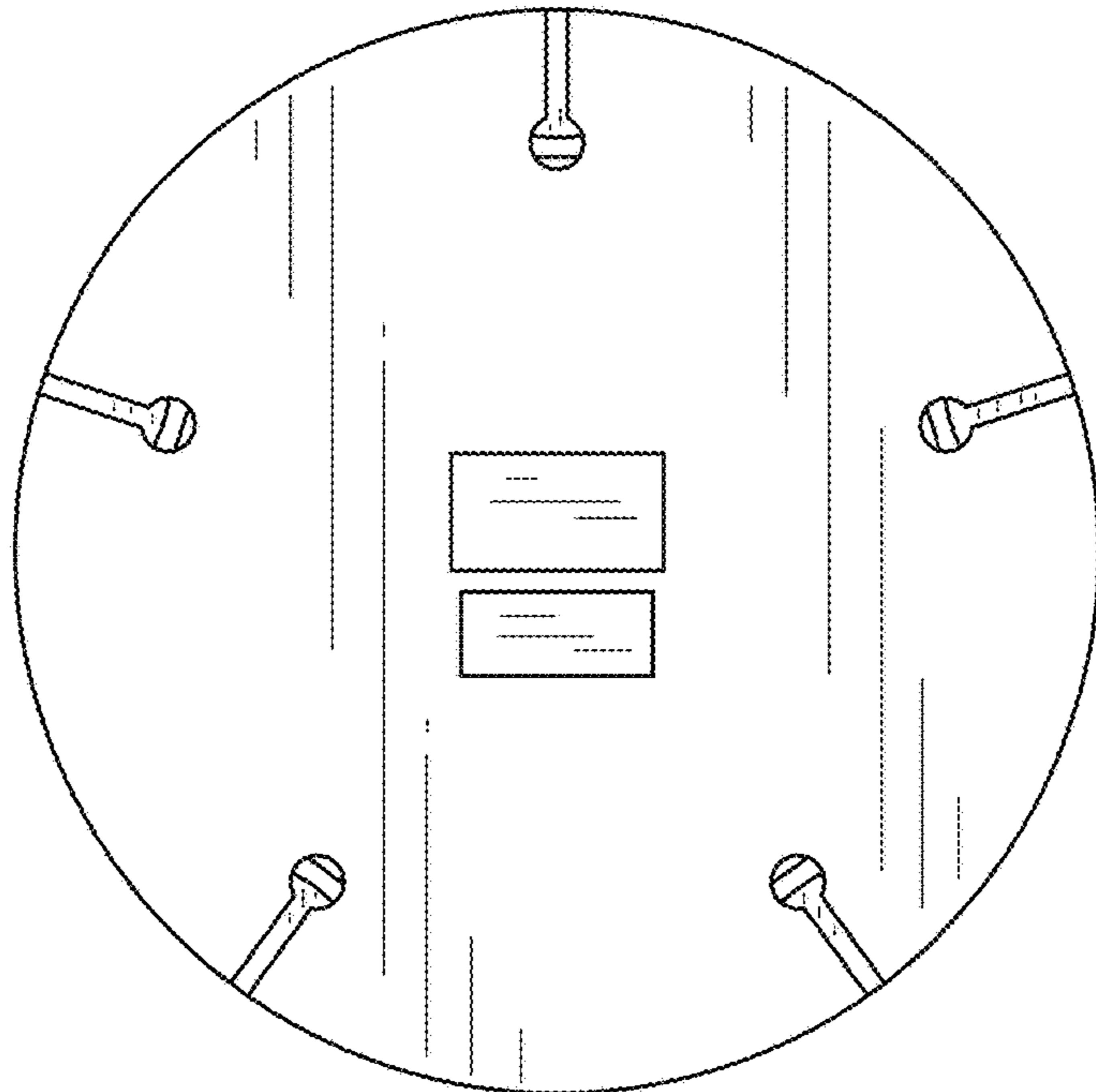


FIG. 3

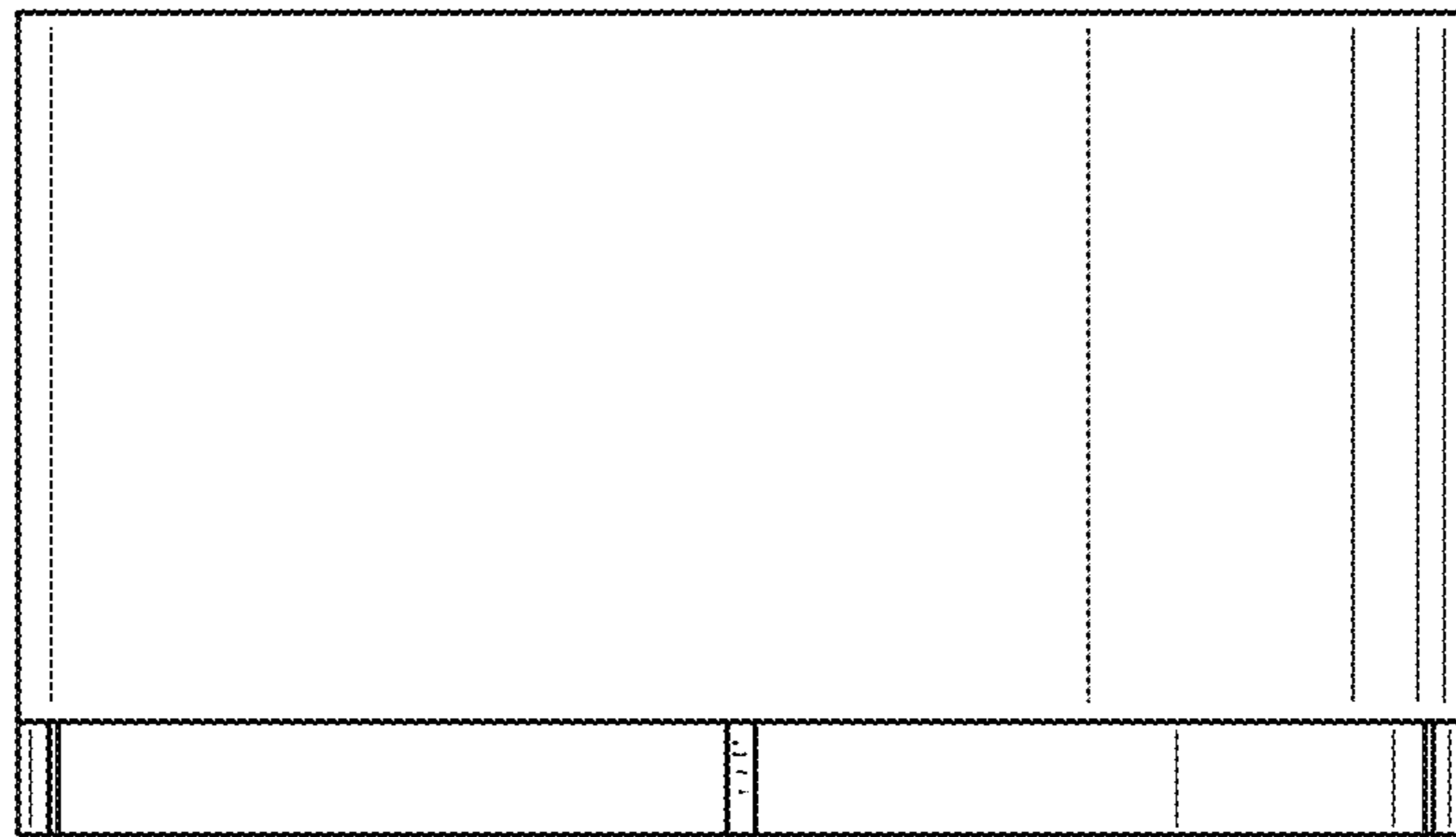


FIG.4

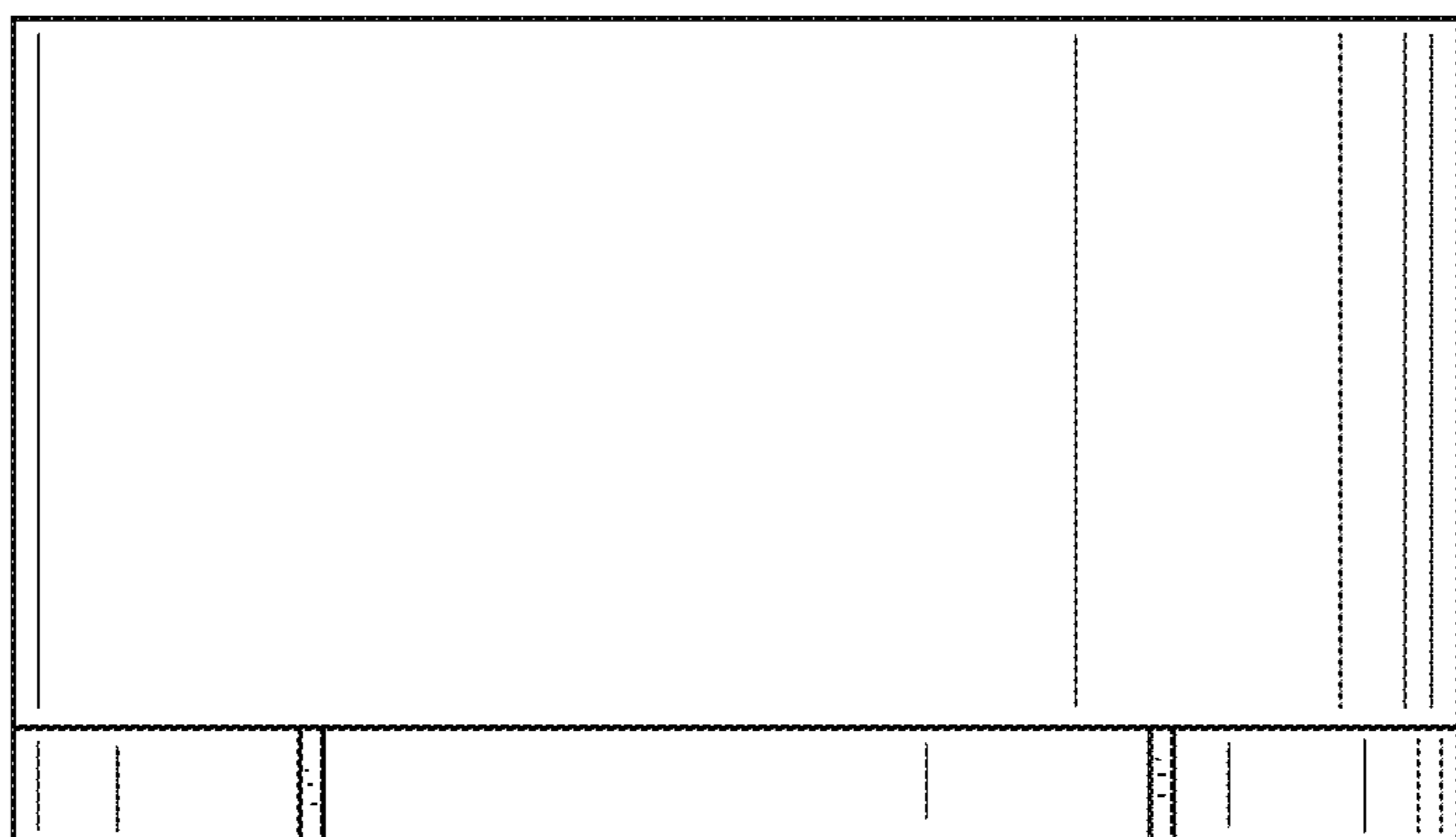


FIG.5

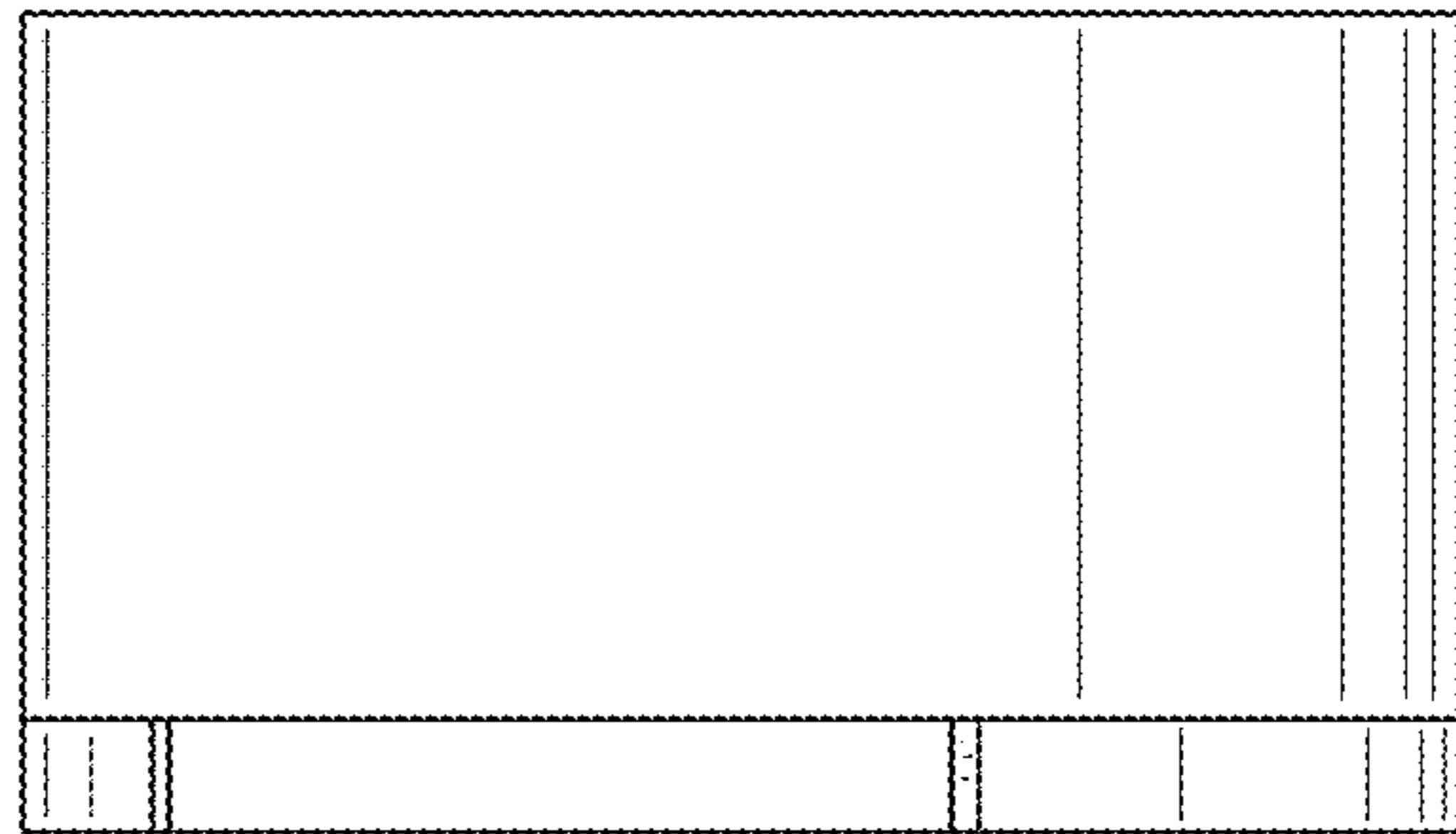


FIG. 6

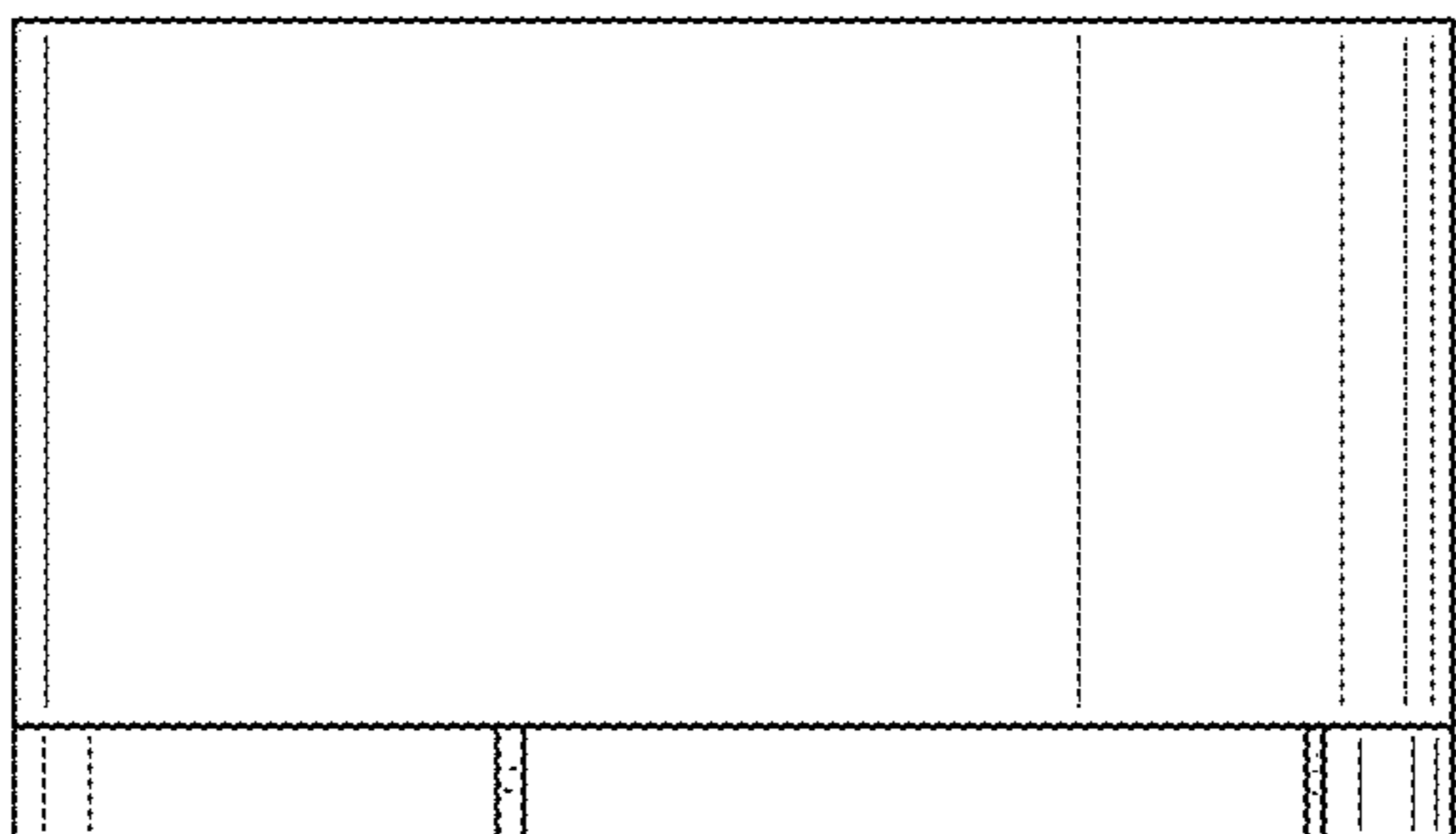


FIG. 7

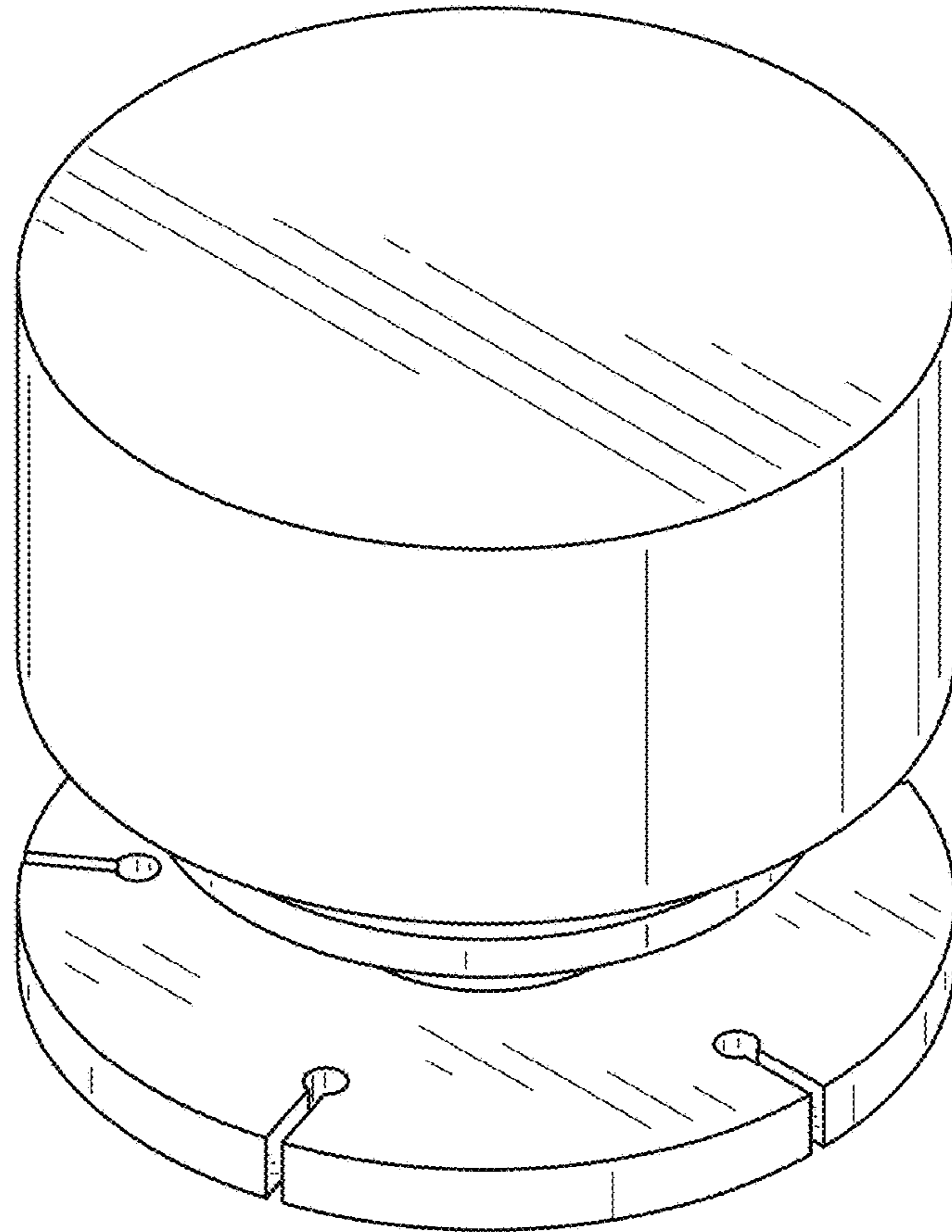


FIG.8

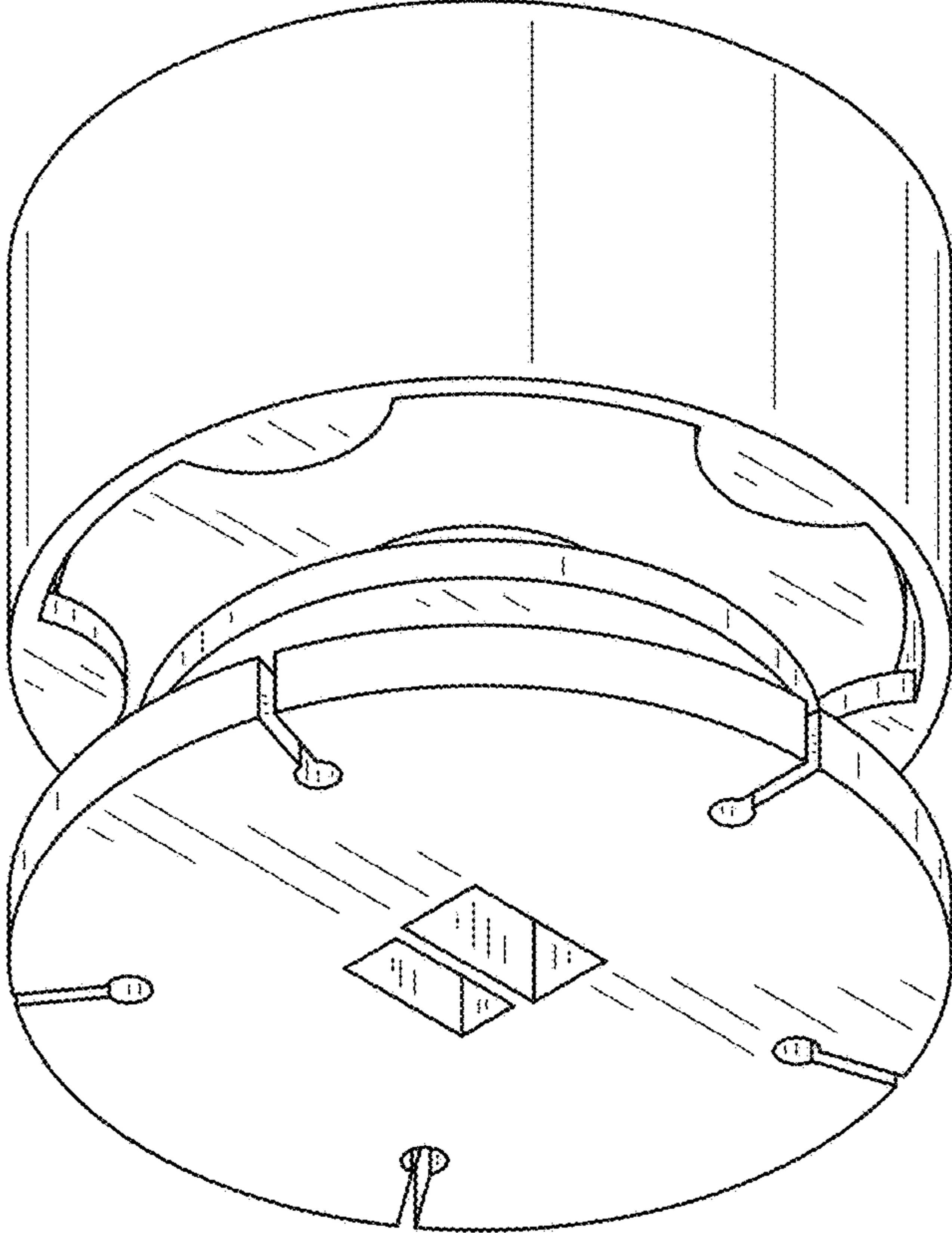


FIG.9

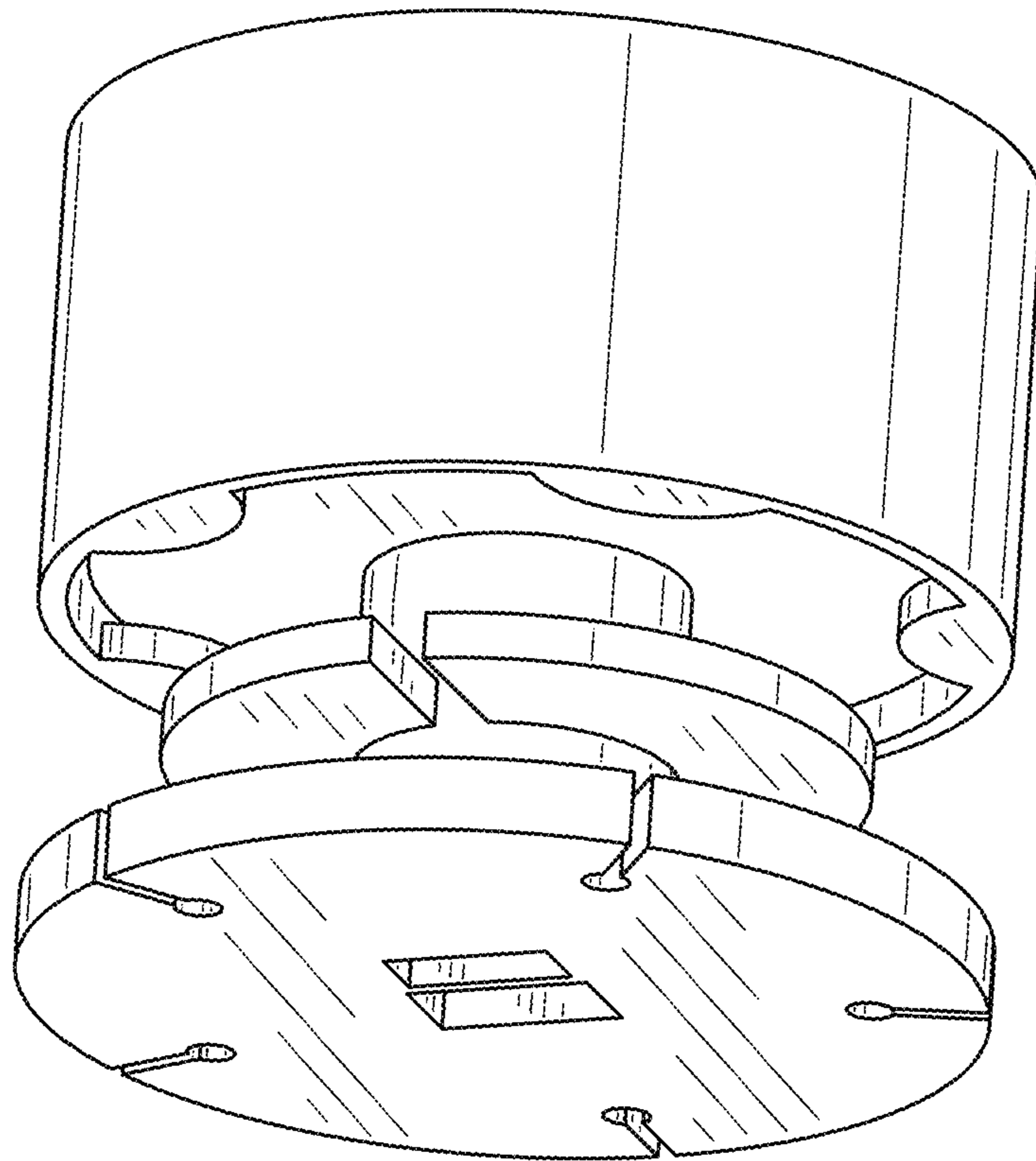


FIG.10

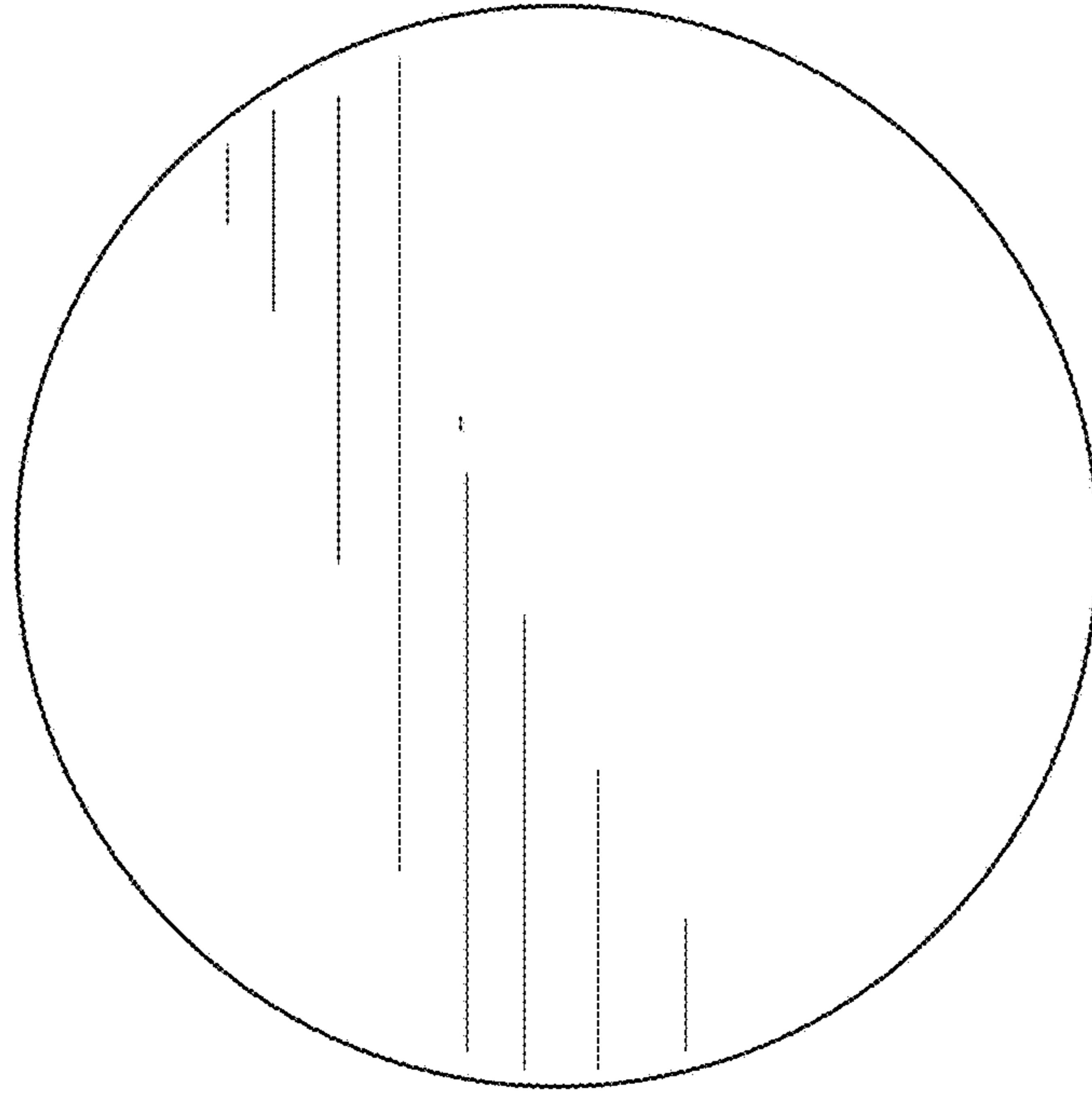


FIG. 11

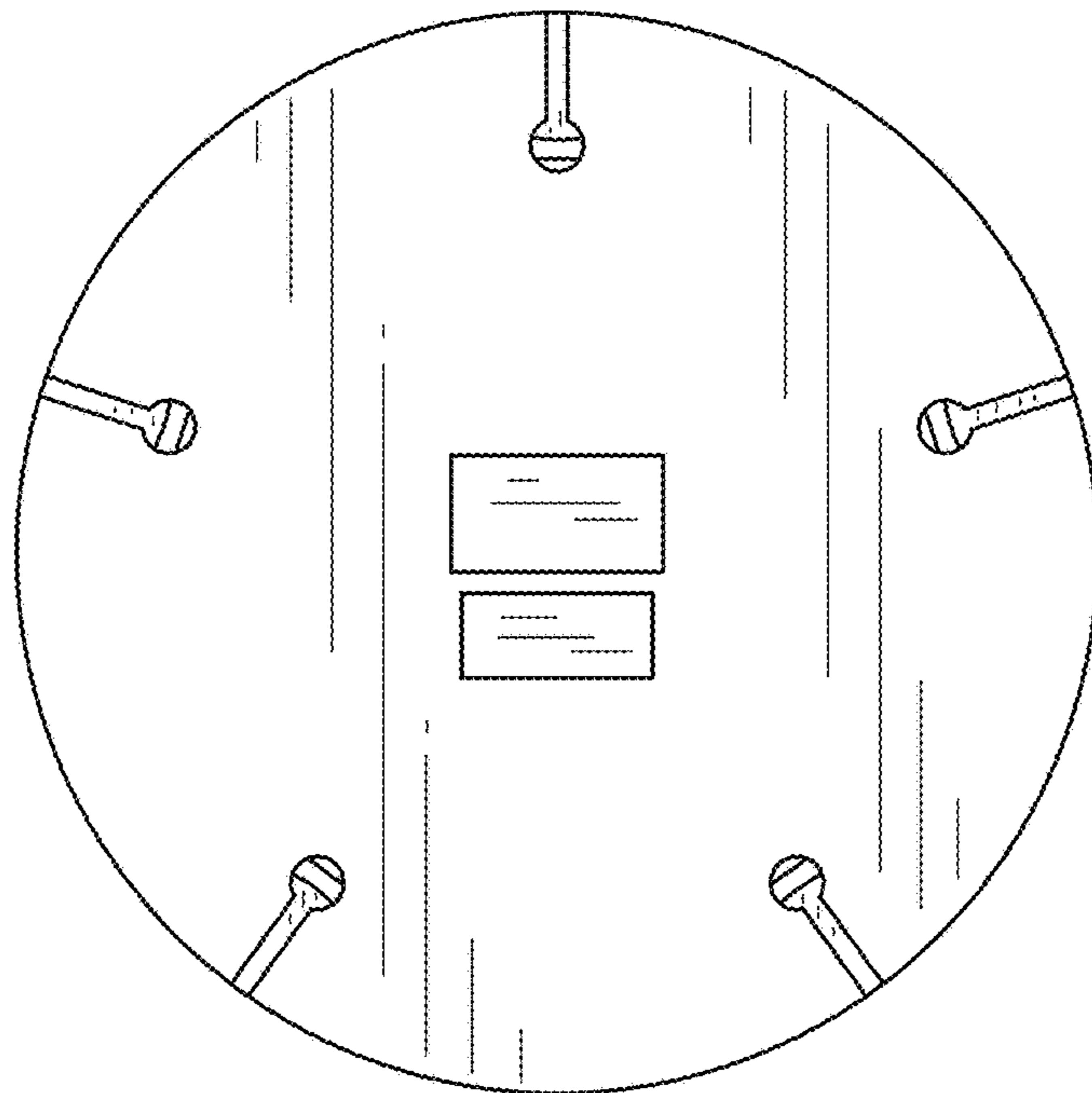


FIG. 12

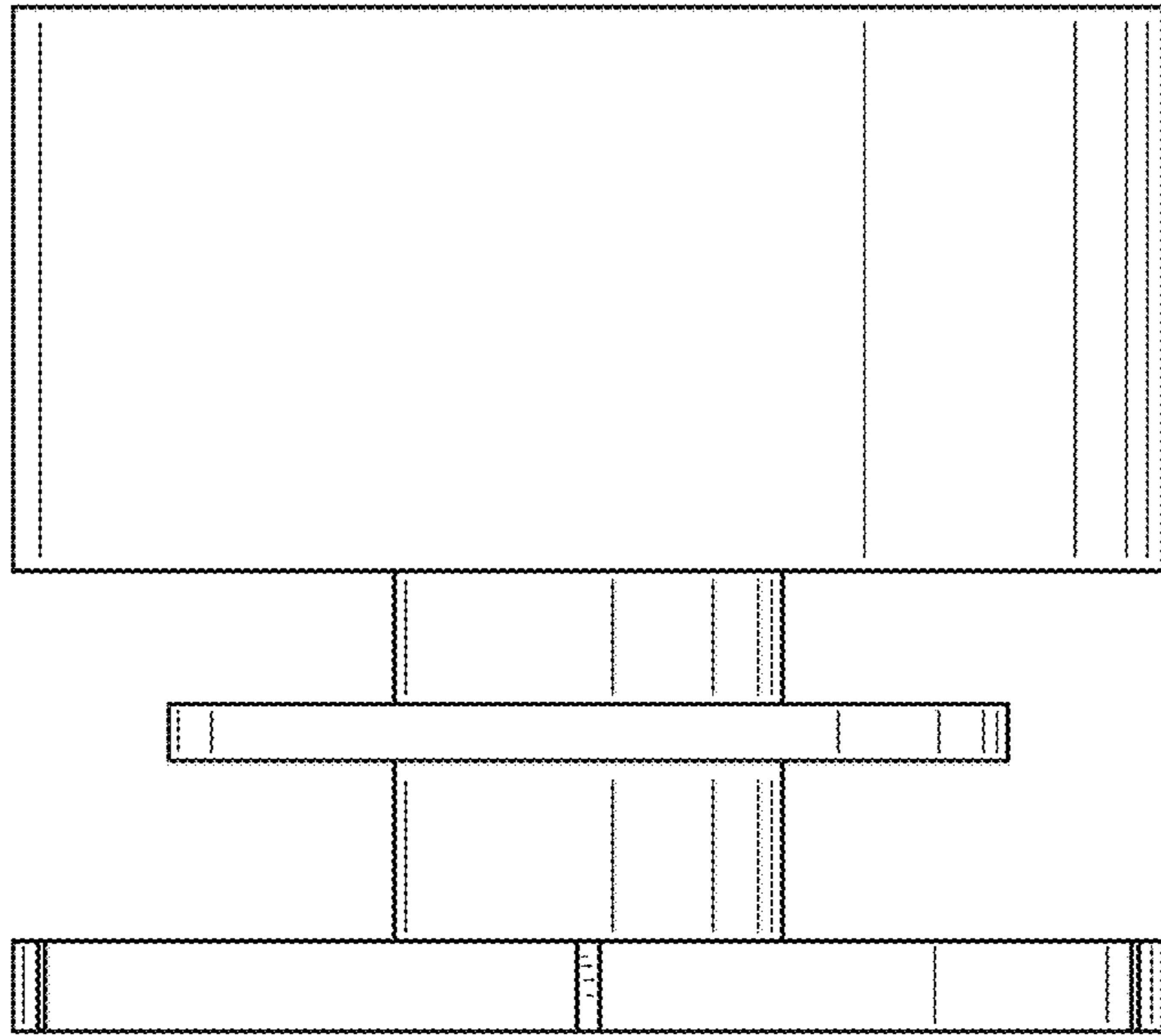


FIG. 13

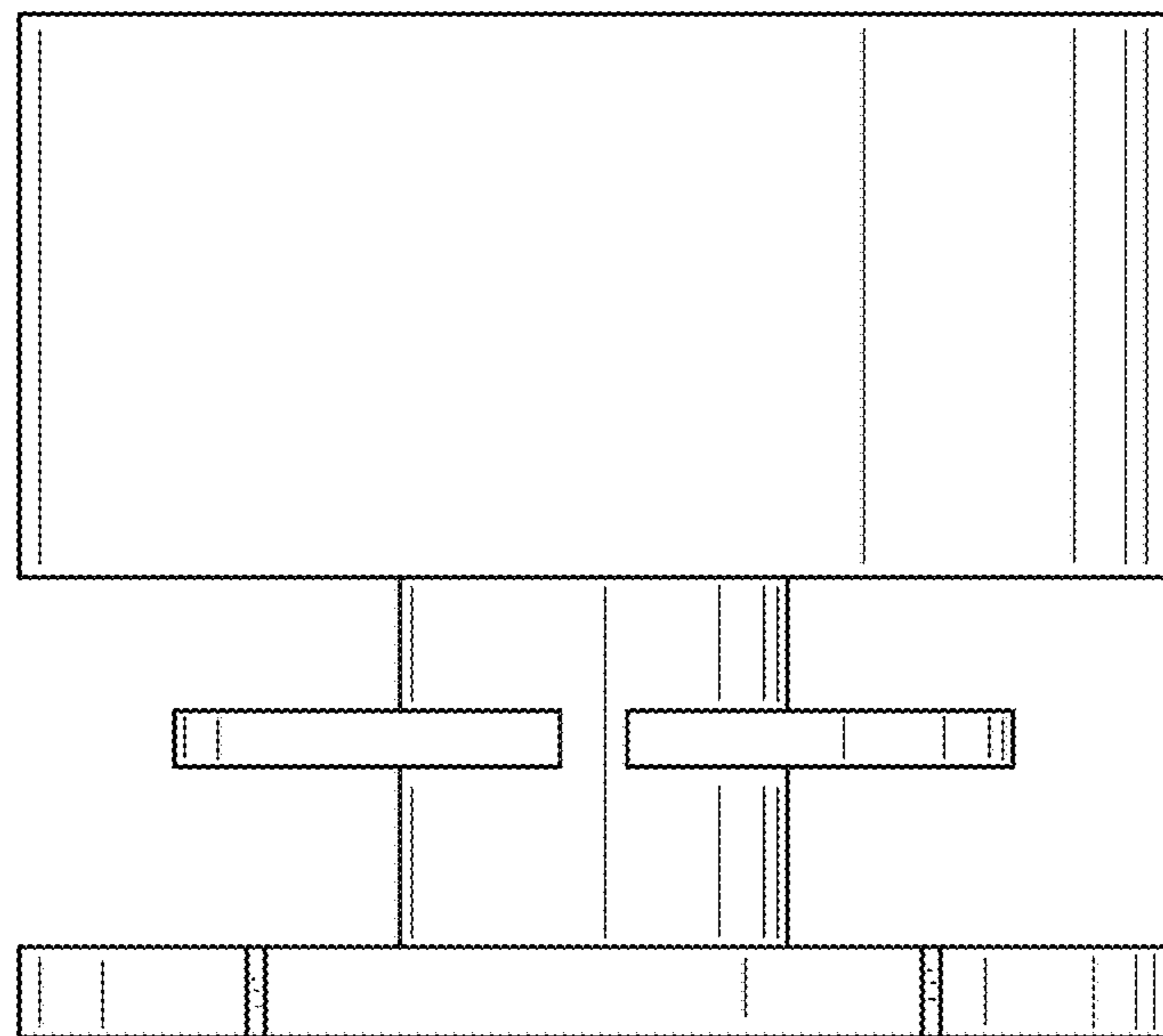


FIG. 14

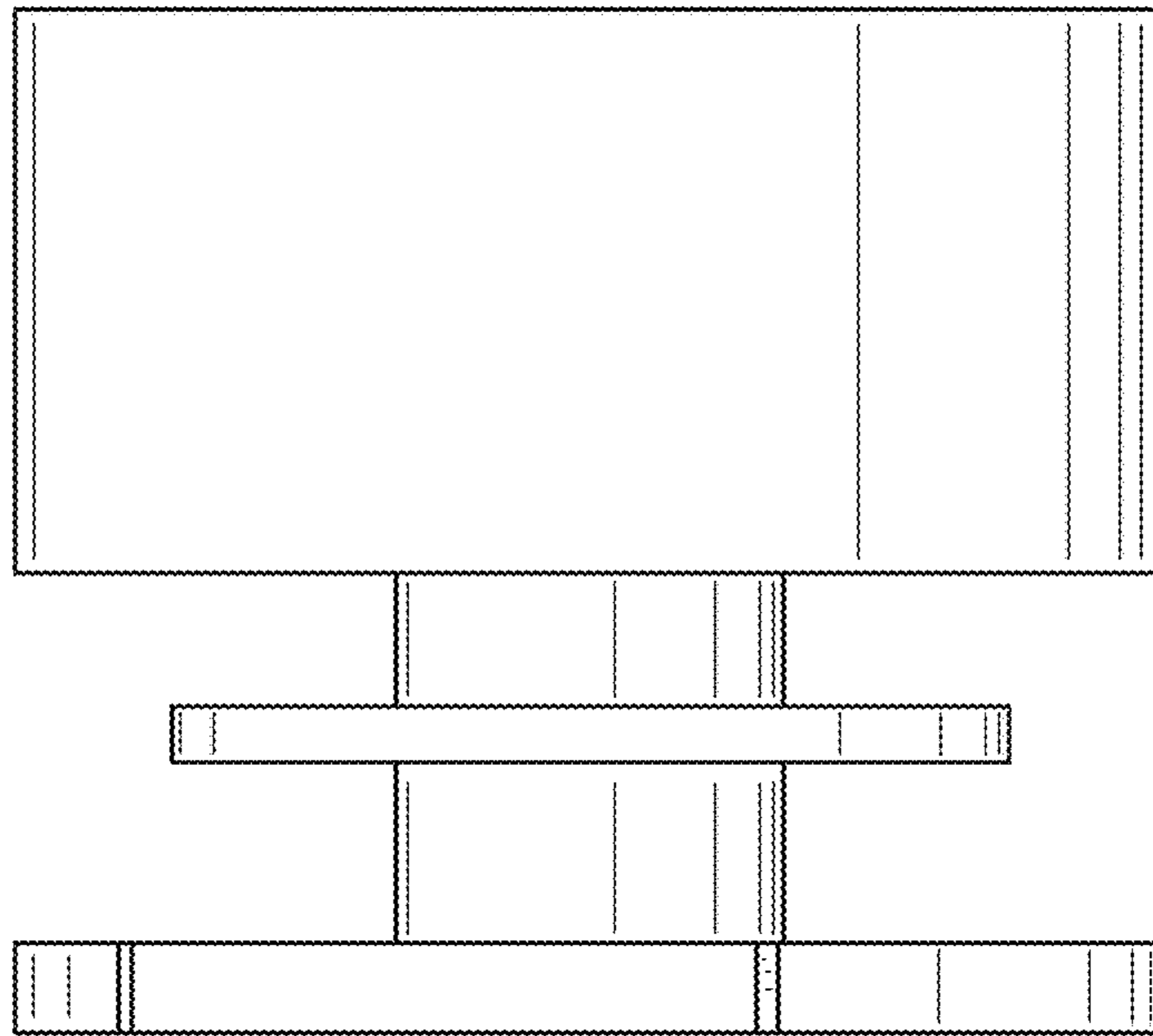


FIG.15

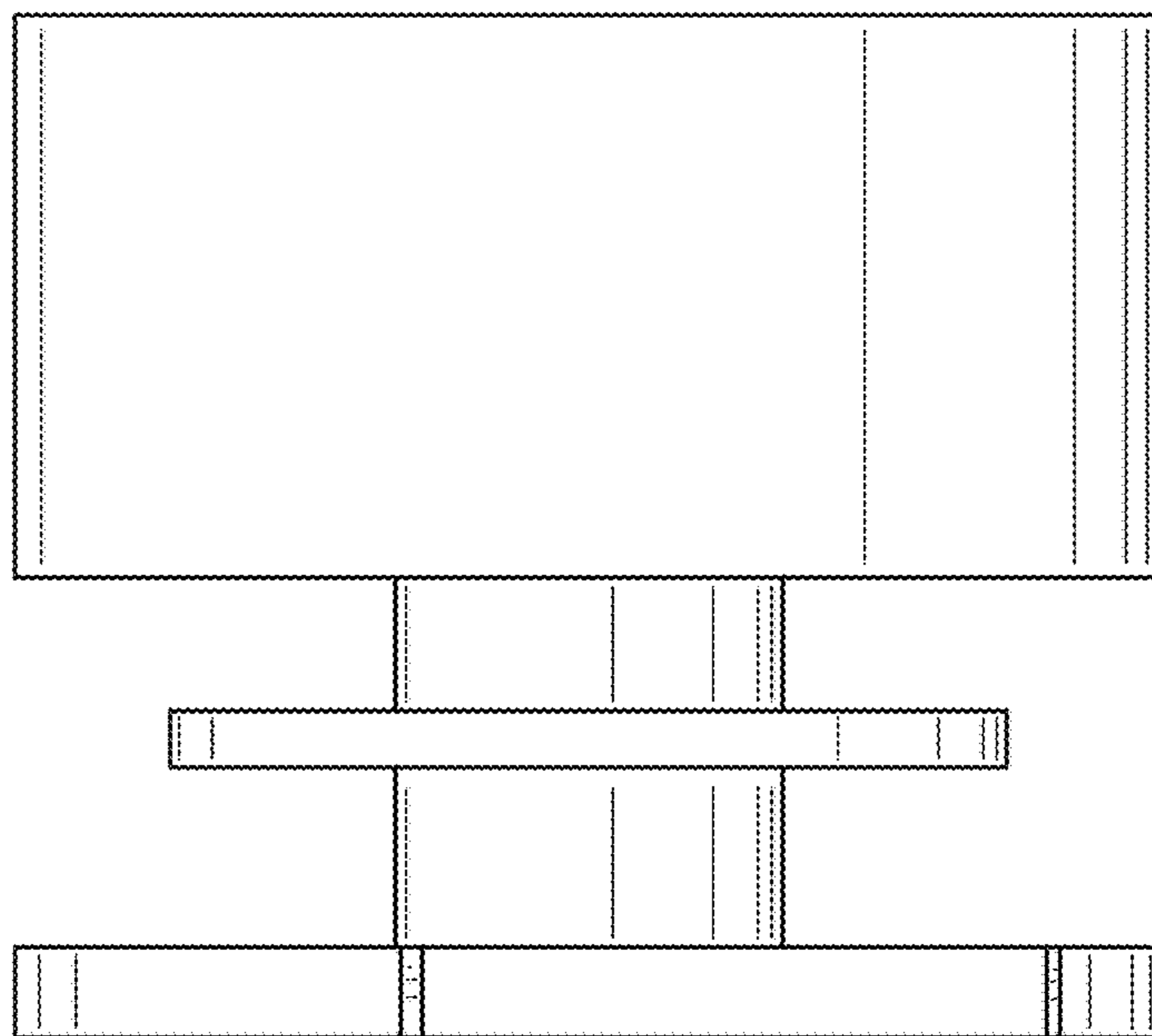


FIG.16