



US00D840946S

(12) **United States Design Patent** (10) **Patent No.:** **US D840,946 S**
Marrapode et al. (45) **Date of Patent:** **** Feb. 19, 2019**

- (54) **FIBER HOUSING ASSEMBLY**
- (71) Applicant: **Molex, LLC**, Lisle, IL (US)
- (72) Inventors: **Thomas R. Marrapode**, Chicago, IL (US); **Chris Scherer**, Dripping Springs, TX (US); **Jon K. Sholtis**, Buda, TX (US)
- (**) Term: **15 Years**
- (21) Appl. No.: **29/613,527**
- (22) Filed: **Aug. 10, 2017**

- D429,830 S 8/2000 Ting
- D432,500 S 10/2000 Nishio et al.
- D436,924 S 1/2001 Lee
- D450,041 S 11/2001 Nakashima et al.
- D456,010 S 4/2002 Goto
- D457,669 S 5/2002 Piepgras et al.
- D521,931 S 5/2006 Tufano, Jr.
- 7,556,524 B2* 7/2009 Kuo H01R 13/6335
439/484
- D597,947 S 8/2009 Ono
- D612,968 S 3/2010 Ma
- D617,796 S 6/2010 Ando
- D622,438 S 8/2010 Sasada et al.

(Continued)

Related U.S. Application Data

- (63) Continuation-in-part of application No. 29/605,557, filed on May 26, 2017.
- (51) **LOC (11) Cl.** **13-03**
- (52) **U.S. Cl.**
USPC **D13/153**
- (58) **Field of Classification Search**
USPC D13/152, 119, 147, 156, 177, 184, 107,
D13/108, 110, 123, 133, 137.1-137.4,
D13/138.1-138.2, 139.1-139.8, 153, 154,
D13/146, 158, 160; D8/350, 351-353;
D25/119, 127, 134, 48.4; D26/74, 138
CPC F21S 8/02; F21V 23/00; F21V 23/001;
H01R 25/00; H01R 25/006; H01R 11/00;
H01R 9/00; H01R 13/5845; H01R 13/72;
H01R 31/06; H01R 24/28; H01R 13/46;
F16J 13/10; F16B 5/02; H02J 2007/0062;
H01B 7/2806
See application file for complete search history.

References Cited

U.S. PATENT DOCUMENTS

- D220,063 S 3/1971 Haack
- D233,908 S 12/1974 Brindley
- D403,453 S 12/1998 Shiau
- 6,070,987 A 6/2000 Jarvik

OTHER PUBLICATIONS

Parking Zone; "Safety Wand"; Publication date unknown but prior to filing date of present application; Date Accessed: Jul. 25, 2018; URL: <<https://www.parkingzone.com/safety-wand.html>>.

Primary Examiner — Rosemary K Tarcza
Assistant Examiner — Christy M Nemeth
(74) *Attorney, Agent, or Firm* — Banner & Witcoff, Ltd.

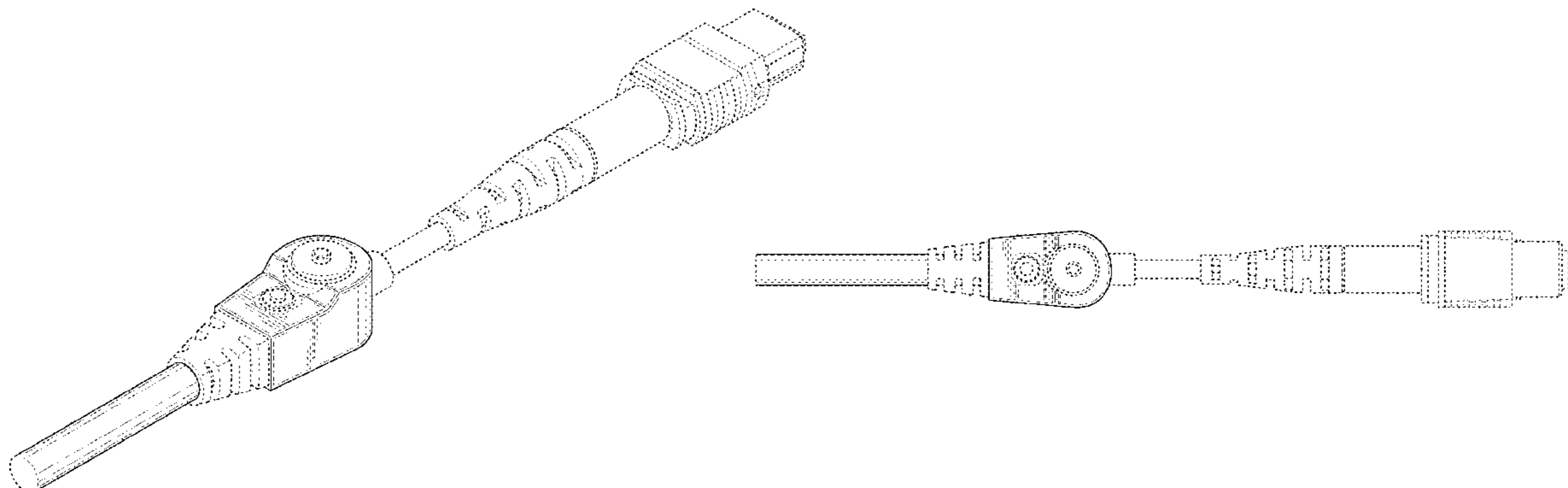
CLAIM

The ornamental design for a fiber housing assembly, as shown and described.

DESCRIPTION

FIG. 1 is a top perspective view of fiber housing assembly showing our new design;
FIG. 2 is a left side view thereof;
FIG. 3 is a right side view thereof;
FIG. 4 is a top view thereof;
FIG. 5 is a bottom view thereof;
FIG. 6 is a front view thereof; and,
FIG. 7 is a rear view thereof.
The broken lines depicting the remainder of the fiber housing assembly show features that form no part of the claimed design.

1 Claim, 7 Drawing Sheets



(56)

References Cited

U.S. PATENT DOCUMENTS

D625,861 S 10/2010 Bertken
D626,671 S 11/2010 Bertken
D712,836 S * 9/2014 Lee D13/133
D721,039 S * 1/2015 Hoshino D13/147
D728,482 S * 5/2015 Cypress D13/147
D732,756 S 6/2015 Roberson et al.
D740,149 S 10/2015 Talamo
D762,586 S * 8/2016 Crockett D13/147
D769,194 S * 10/2016 Greig D13/147
9,685,726 B2 * 6/2017 Ang H01R 13/05
D795,256 S 8/2017 Jentz et al.
D801,282 S * 10/2017 Hsieh D13/154
D808,233 S 1/2018 Wangler
D820,791 S 6/2018 Takeda
2007/0121332 A1 5/2007 Liu
2010/0157582 A1 6/2010 Bertken
2013/0063077 A1 3/2013 Popper et al.
2013/0250545 A1 9/2013 Dial
2013/0264966 A1 10/2013 Hazawa
2013/0266268 A1 10/2013 Li et al.

* cited by examiner

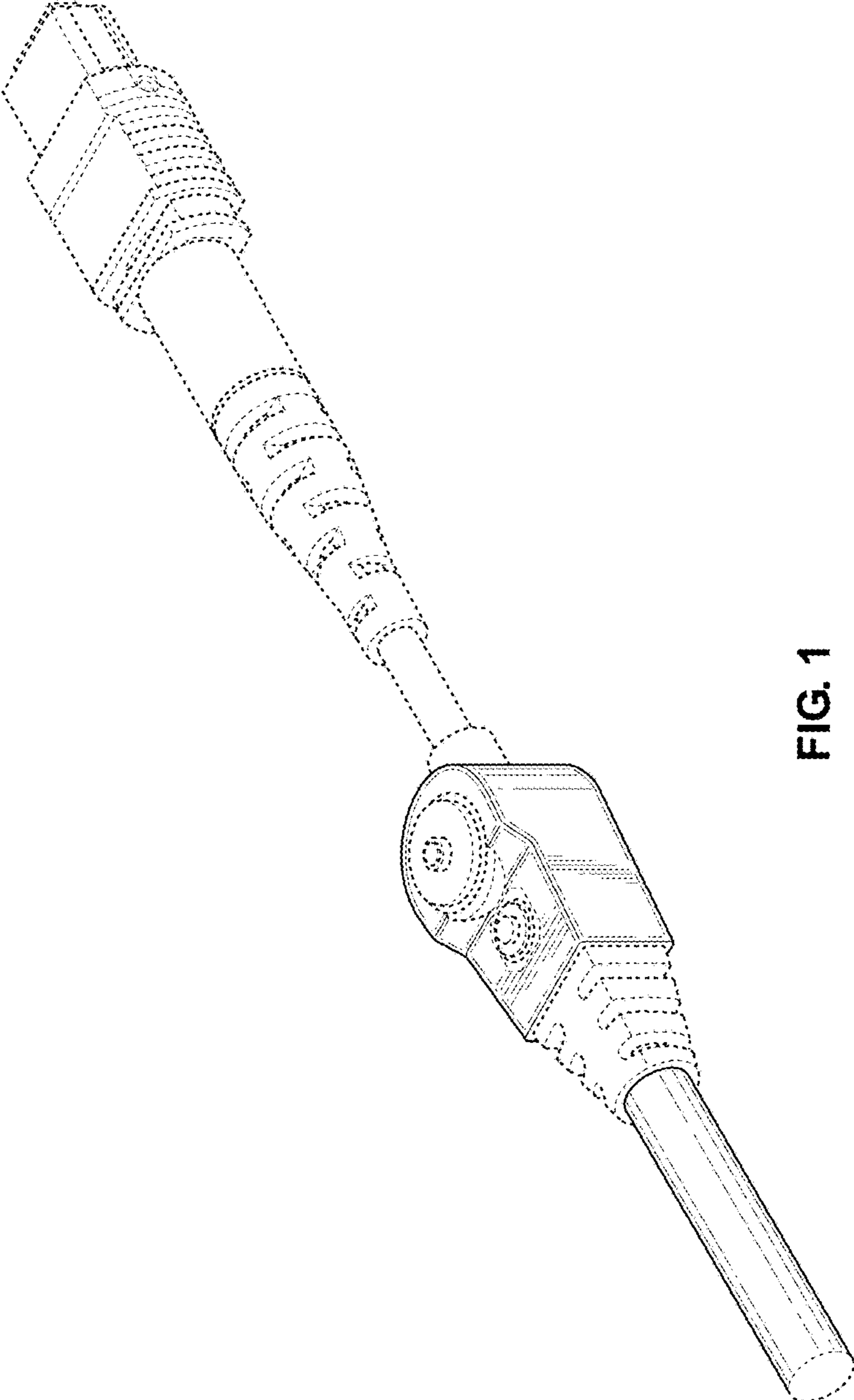


FIG. 1

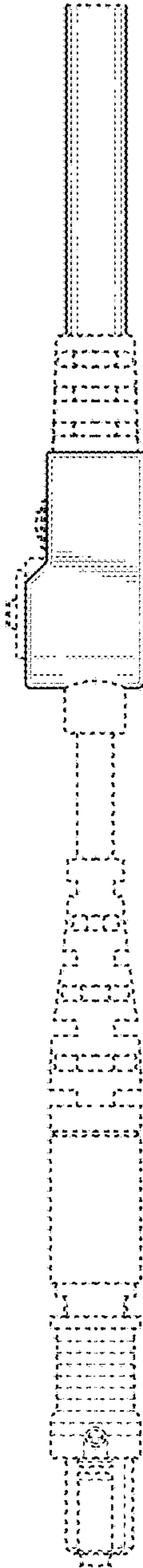


FIG. 2

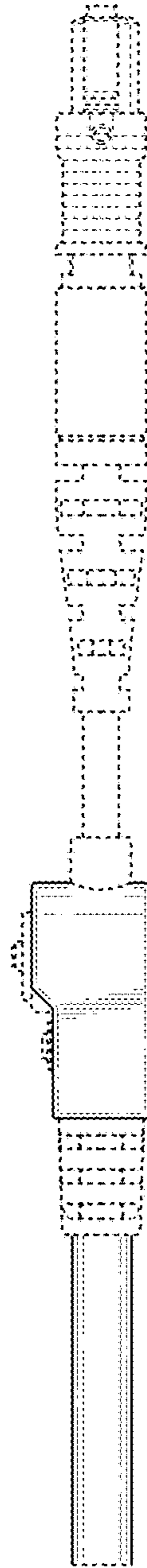


FIG. 3

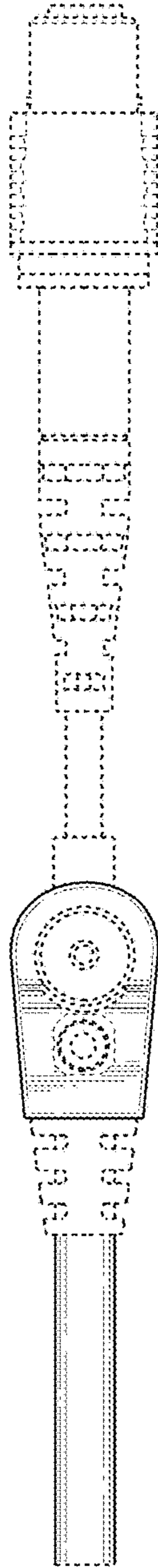


FIG. 4

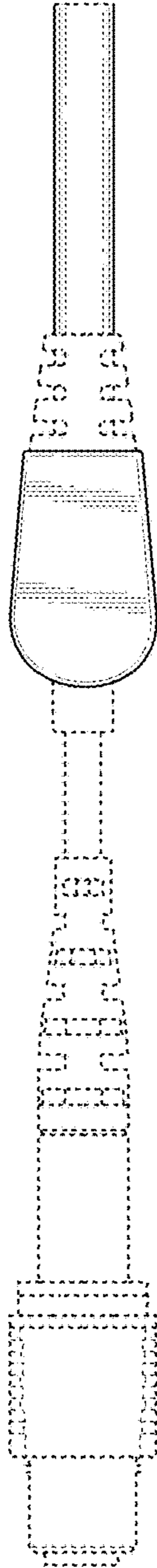


FIG. 5

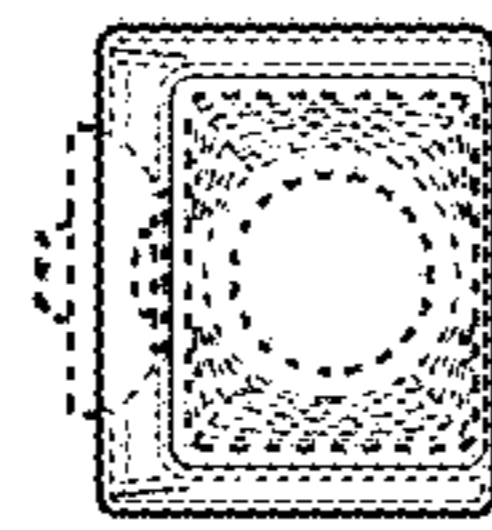


FIG. 6

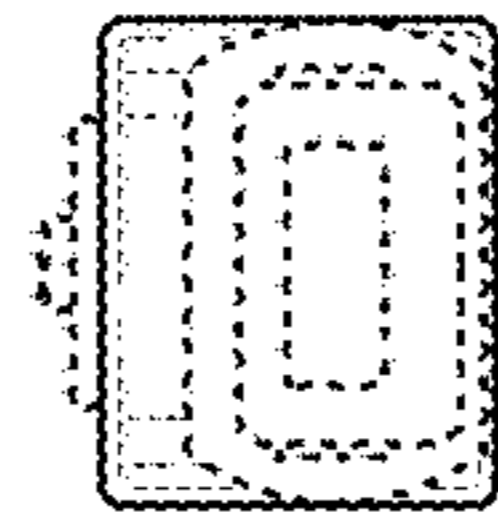


FIG. 7