



US00D840945S

(12) **United States Design Patent**
Chang et al.

(10) **Patent No.:** **US D840,945 S**
(45) **Date of Patent:** **** Feb. 19, 2019**

(54) **CASE FOR AN ELECTRONIC DEVICE**

(71) Applicant: **Quanta Computer Inc.**, Taoyuan (TW)

(72) Inventors: **Chia-Yuan Chang**, Taoyuan (TW);
Jung-Wen Chang, Taoyuan (TW);
Ya-Chyi Chou, Taoyuan (TW); **Kao-Yu Hsu**, Taoyuan (TW)

(73) Assignee: **QUANTA COMPUTER INC.**,
Guishan Dist., Taoyuan (TW)

(**) Term: **15 Years**

(21) Appl. No.: **29/607,651**

(22) Filed: **Jun. 15, 2017**

(30) **Foreign Application Priority Data**

Feb. 23, 2017 (TW) 106300865

(51) **LOC (11) Cl.** **13-03**

(52) **U.S. Cl.**
USPC **D13/152; D3/294**

(58) **Field of Classification Search**
USPC D13/152; D28/892; D16/202, 203, 204,
D16/208; D3/263, 267, 268, 294;
D9/420-423
CPC A45C 11/04; A45C 11/005; A45C 11/38;
A45C 11/06; A45C 2011/001; G02C
3/04; A47F 7/021
See application file for complete search history.

(56) **References Cited**

U.S. PATENT DOCUMENTS

D253,218 S * 10/1979 Johnson D7/352
D260,968 S * 9/1981 Pavia D9/428
6,138,826 A * 10/2000 Kanamori A45C 11/38
206/316.2

D460,773 S * 7/2002 Arbuckle D16/203
D508,710 S * 8/2005 Nagai D16/203
6,941,066 B2 * 9/2005 Kawakami A45C 11/38
396/27
7,502,550 B2 * 3/2009 Ariga G03B 17/02
348/376
7,929,847 B2 * 4/2011 Yim G03B 17/08
206/316.2
8,544,643 B2 * 10/2013 Yim G03B 17/08
206/316.2
D730,966 S * 6/2015 Liu D16/202
D815,677 S * 4/2018 Gao D16/218
D816,994 S * 5/2018 Fischer D3/294
D819,109 S * 5/2018 Yamauchi D16/204

* cited by examiner

Primary Examiner — Brandon M Rosati
Assistant Examiner — Kendra Leslie Hamilton
(74) *Attorney, Agent, or Firm* — McClure, Qualey &
Rodack, LLP

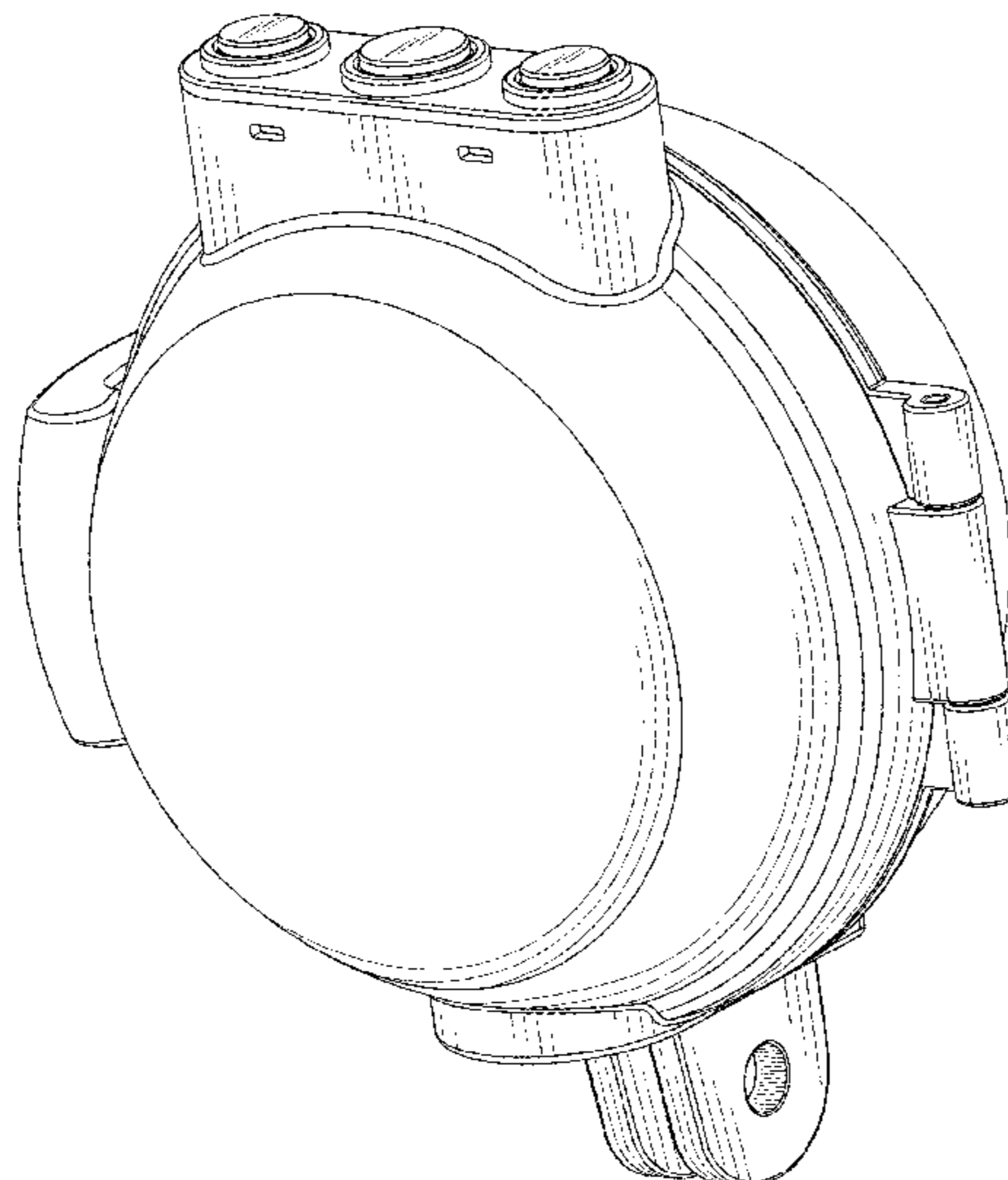
(57) **CLAIM**

The ornamental design for a case for an electronic device, as shown and described.

DESCRIPTION

FIG. 1 is a perspective view of a case for an electronic device in accordance with our new design;
FIG. 2 is a front view thereof;
FIG. 3 is a rear view thereof;
FIG. 4 is a left side view thereof;
FIG. 5 is a right side view thereof;
FIG. 6 is a top plan view thereof; and,
FIG. 7 is a bottom plan view thereof.
The broken lines in the drawings depict portions of the case for an electronic device that form no part of the claimed design.

1 Claim, 7 Drawing Sheets



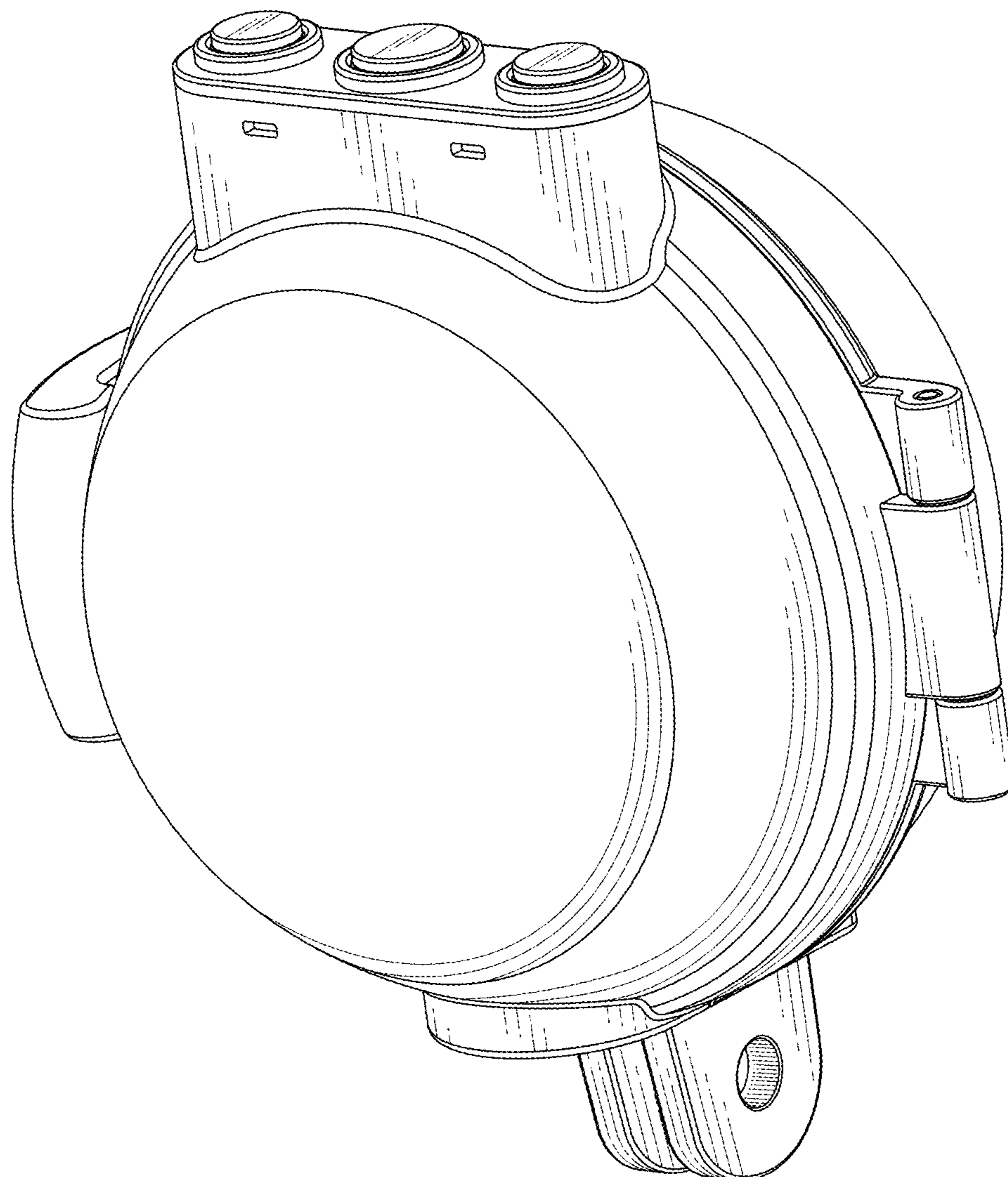


FIG. 1

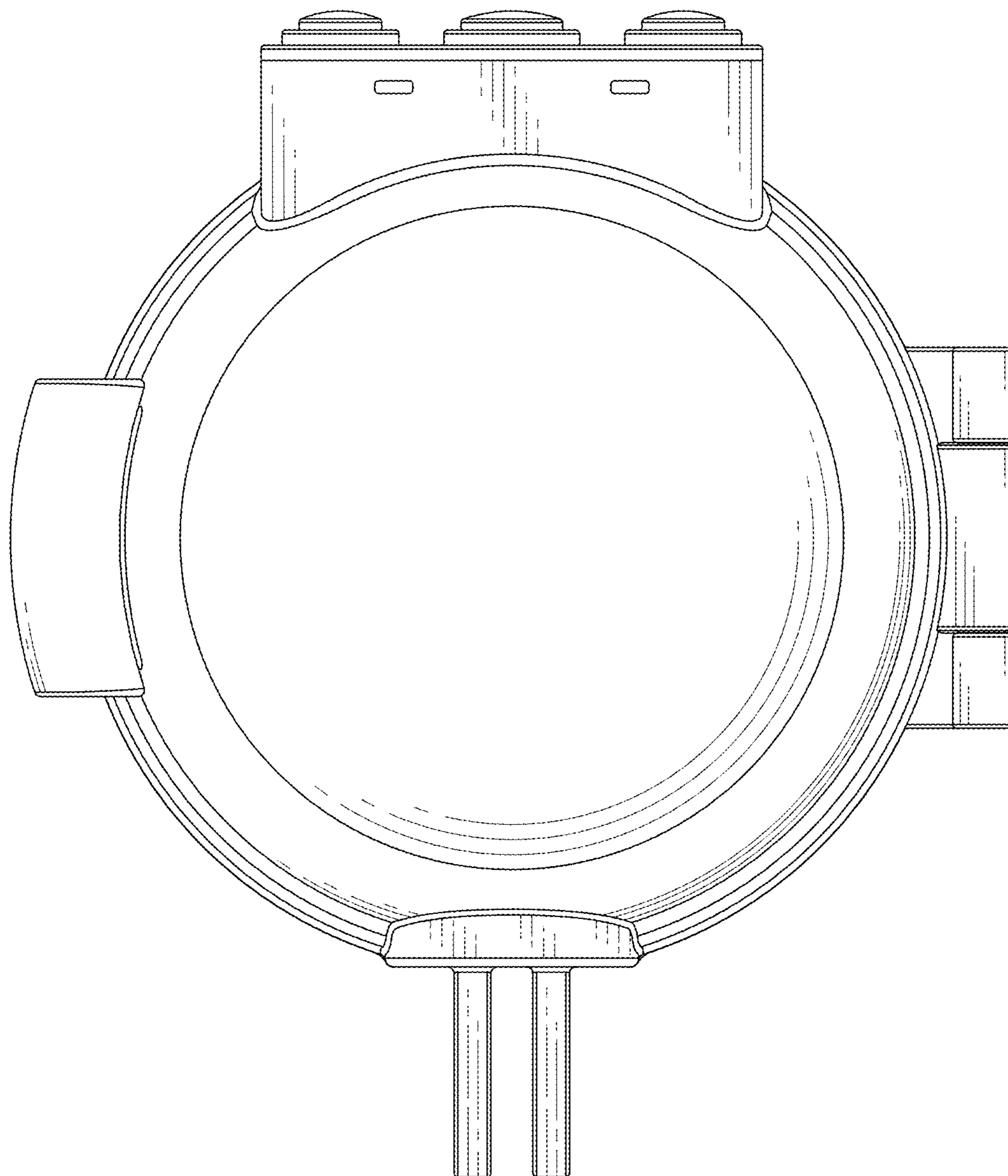


FIG. 2

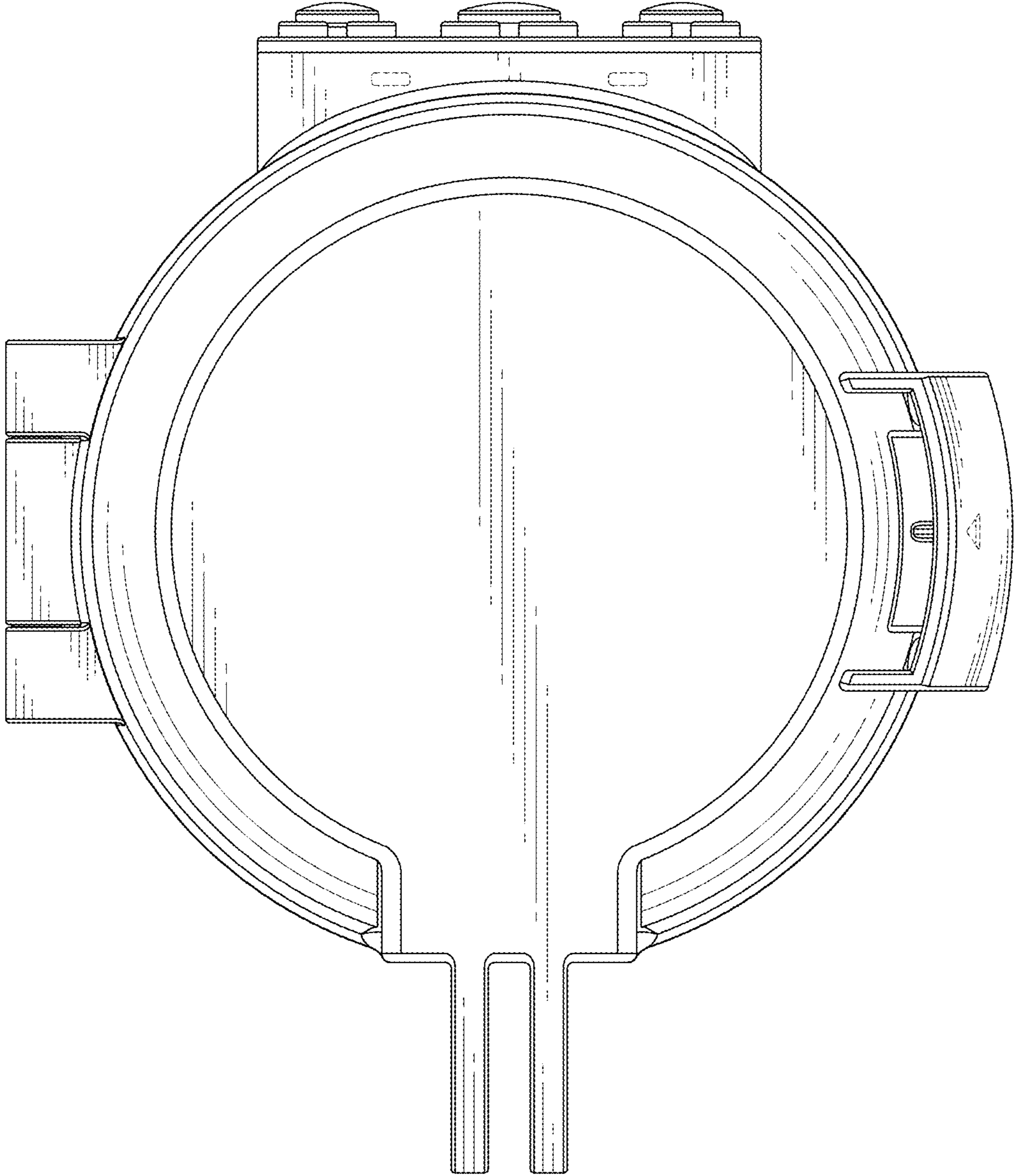


FIG. 3

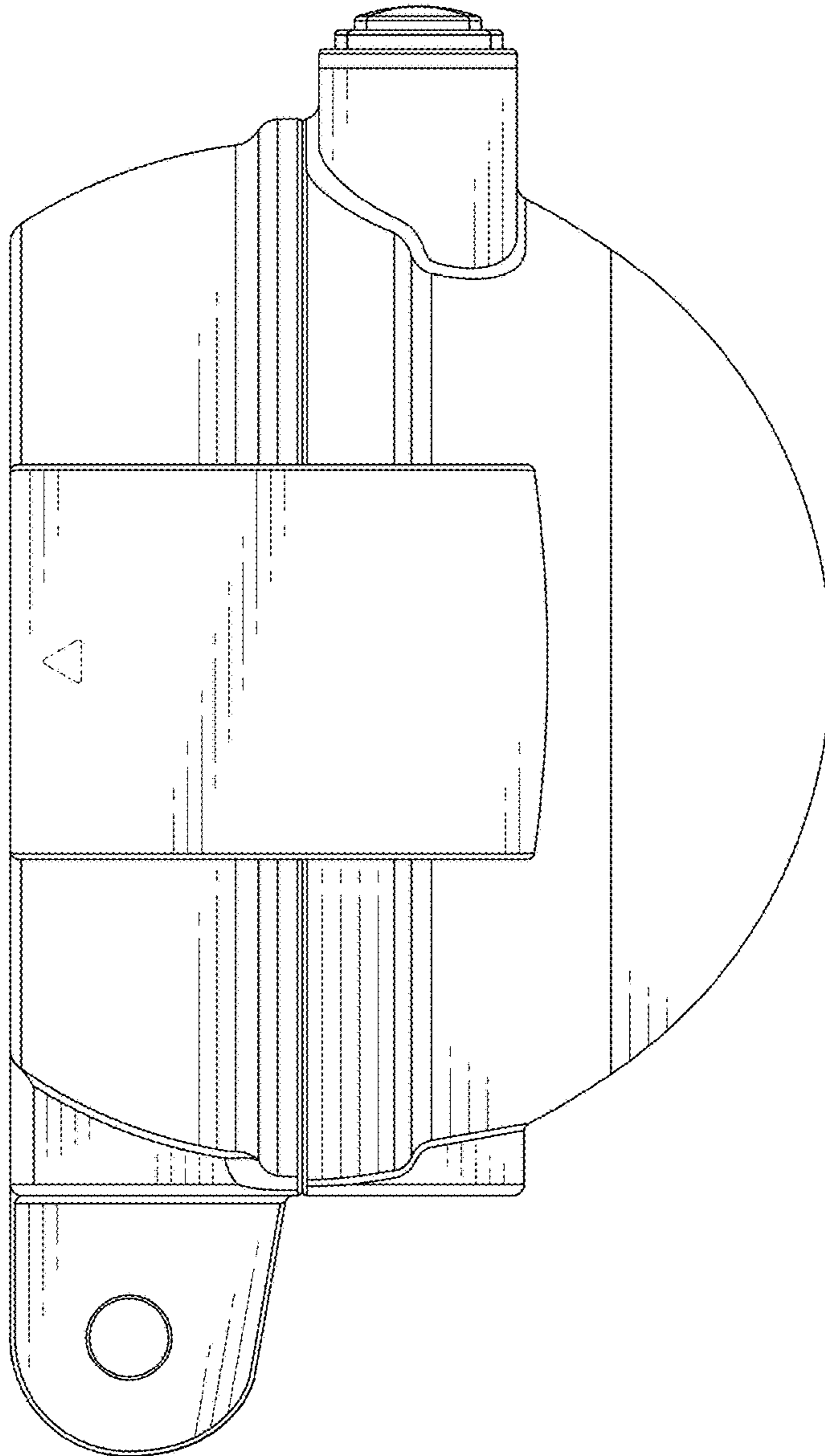


FIG. 4

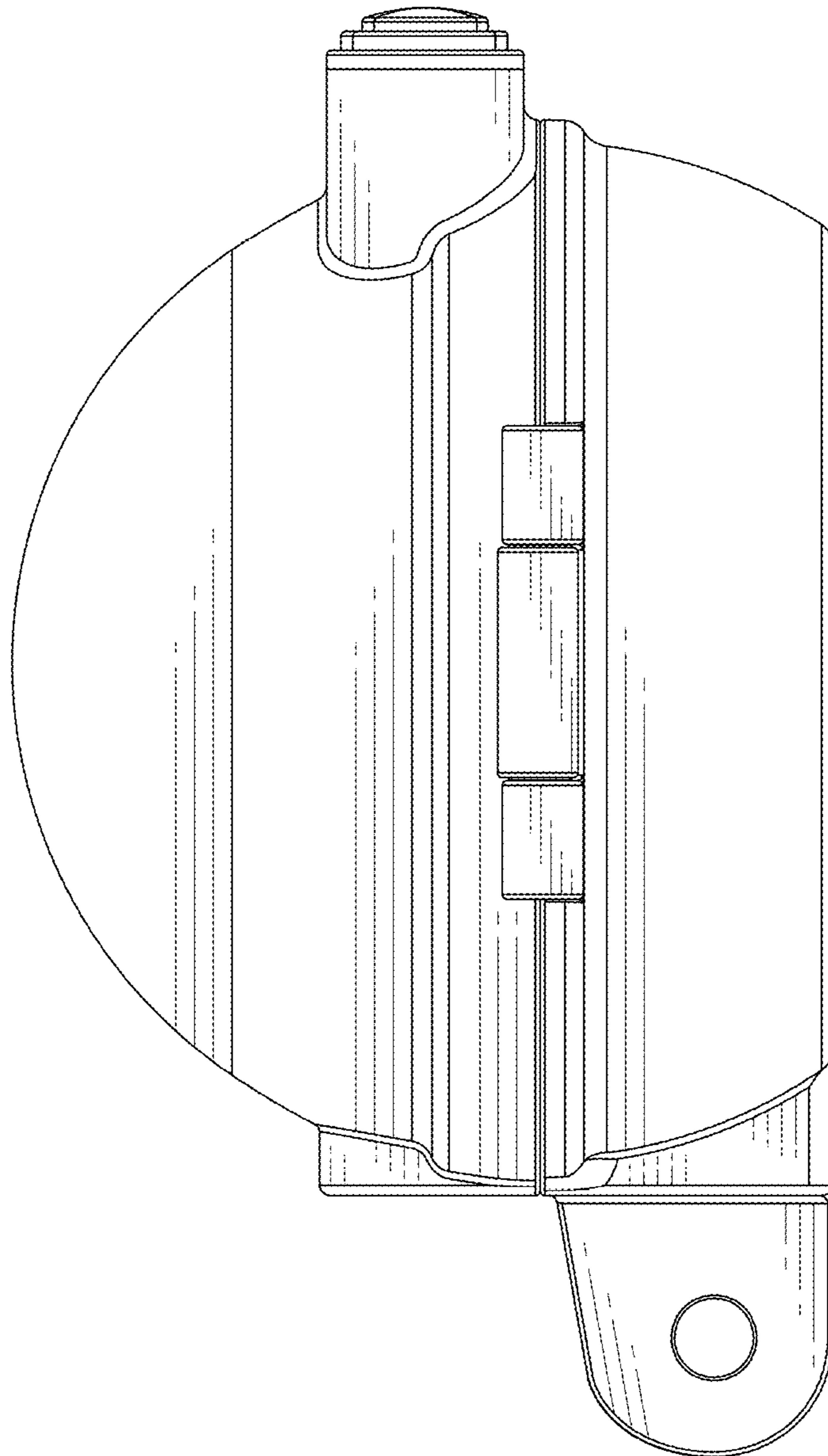


FIG. 5

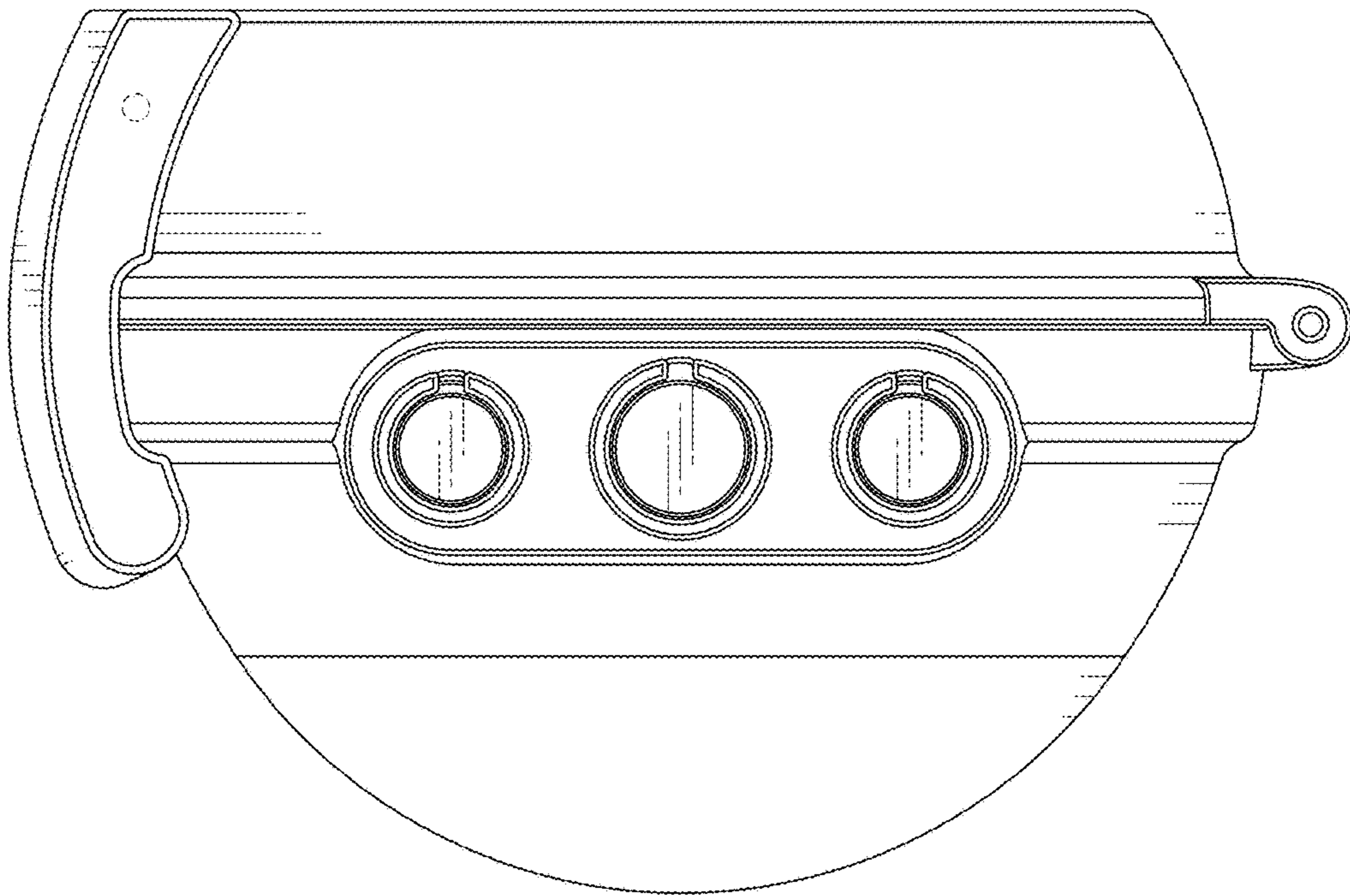


FIG. 6

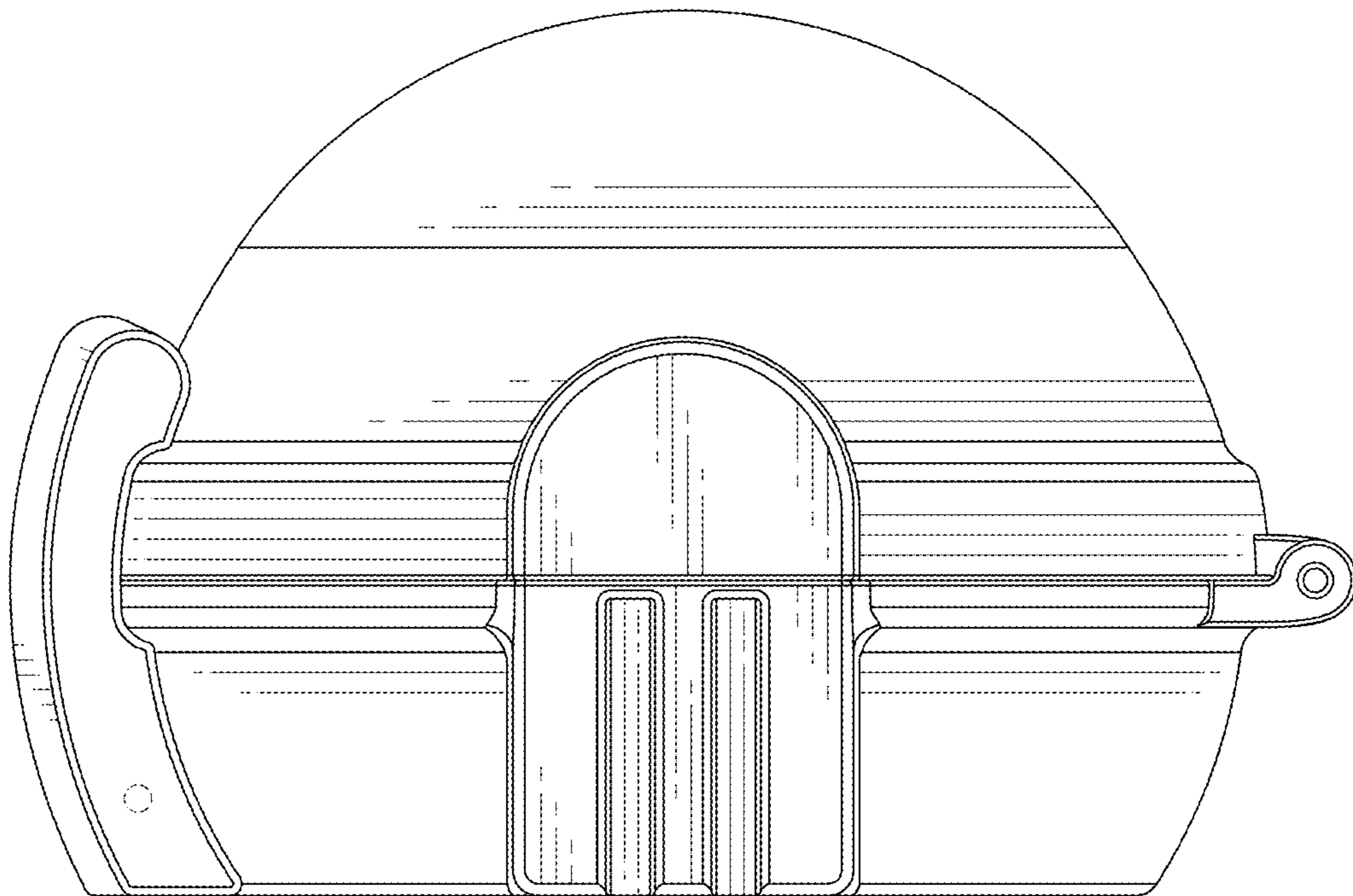


FIG. 7