



US00D840944S

(12) **United States Design Patent** (10) **Patent No.:** **US D840,944 S**
Tejera-Sosa (45) **Date of Patent:** **** Feb. 19, 2019**

(54) **ELECTRICAL BOX**
 (71) Applicant: **Tejera LLC**, Bayonne, NJ (US)
 (72) Inventor: **Julian A Tejera-Sosa**, Bayonne, NJ (US)
 (**) Term: **15 Years**
 (21) Appl. No.: **29/586,296**
 (22) Filed: **Dec. 2, 2016**
 (51) **LOC (11) Cl.** **13-03**
 (52) **U.S. Cl.**
 USPC **D13/152; D13/156**
 (58) **Field of Classification Search**
 USPC D13/152, 154, 156, 177; 174/64, 66, 67
 CPC H02G 3/08; H02G 3/081; H02G 3/086;
 H02G 3/10; H02G 3/12; H02G 3/126;
 H02G 3/14; H02G 3/16; H02G 3/18;
 H01R 13/74; H01R 31/065
 See application file for complete search history.

(56) **References Cited**

U.S. PATENT DOCUMENTS

D397,995 S * 9/1998 Lamar D13/156
 D418,114 S * 12/1999 Hayduke D13/156
 6,133,531 A * 10/2000 Hayduke H02G 3/081
 174/67
 D486,452 S * 2/2004 Dinh D13/156
 7,075,006 B2 * 7/2006 Nojima H01R 13/73
 174/50
 D529,447 S * 10/2006 Greenfield D13/156
 7,214,875 B1 * 5/2007 Gretz H02G 3/086
 174/481
 7,259,328 B1 * 8/2007 Gretz H02G 3/086
 174/50
 7,265,292 B2 * 9/2007 Greenfield H02G 3/088
 174/50
 D556,143 S * 11/2007 Ni D13/152
 8,803,007 B2 * 8/2014 Salmon H02G 3/086
 174/53
 D768,577 S * 10/2016 Elbaz D13/156

2002/0166690 A1 * 11/2002 Chiriku H02G 3/08
 174/60
 2009/0218129 A1 * 9/2009 Taniguchi H02G 3/081
 174/503
 2013/0084050 A1 * 4/2013 Vastmans H02G 3/081
 385/135
 2014/0020948 A1 * 1/2014 Kamigaichi H02G 3/08
 174/535
 2014/0311793 A1 * 10/2014 Kaneko B60R 16/0238
 174/560
 2016/0049779 A1 * 2/2016 Kawamura H02G 3/081
 174/541
 2017/0063069 A1 * 3/2017 Kawada H01B 7/0045
 2017/0201079 A1 * 7/2017 Shiraki B60R 16/02
 2017/0207614 A1 * 7/2017 Shiraki H02G 3/14

* cited by examiner

Primary Examiner — Selina Sikder

(74) Attorney, Agent, or Firm — Dale Jensen, PLC; Dale Jensen

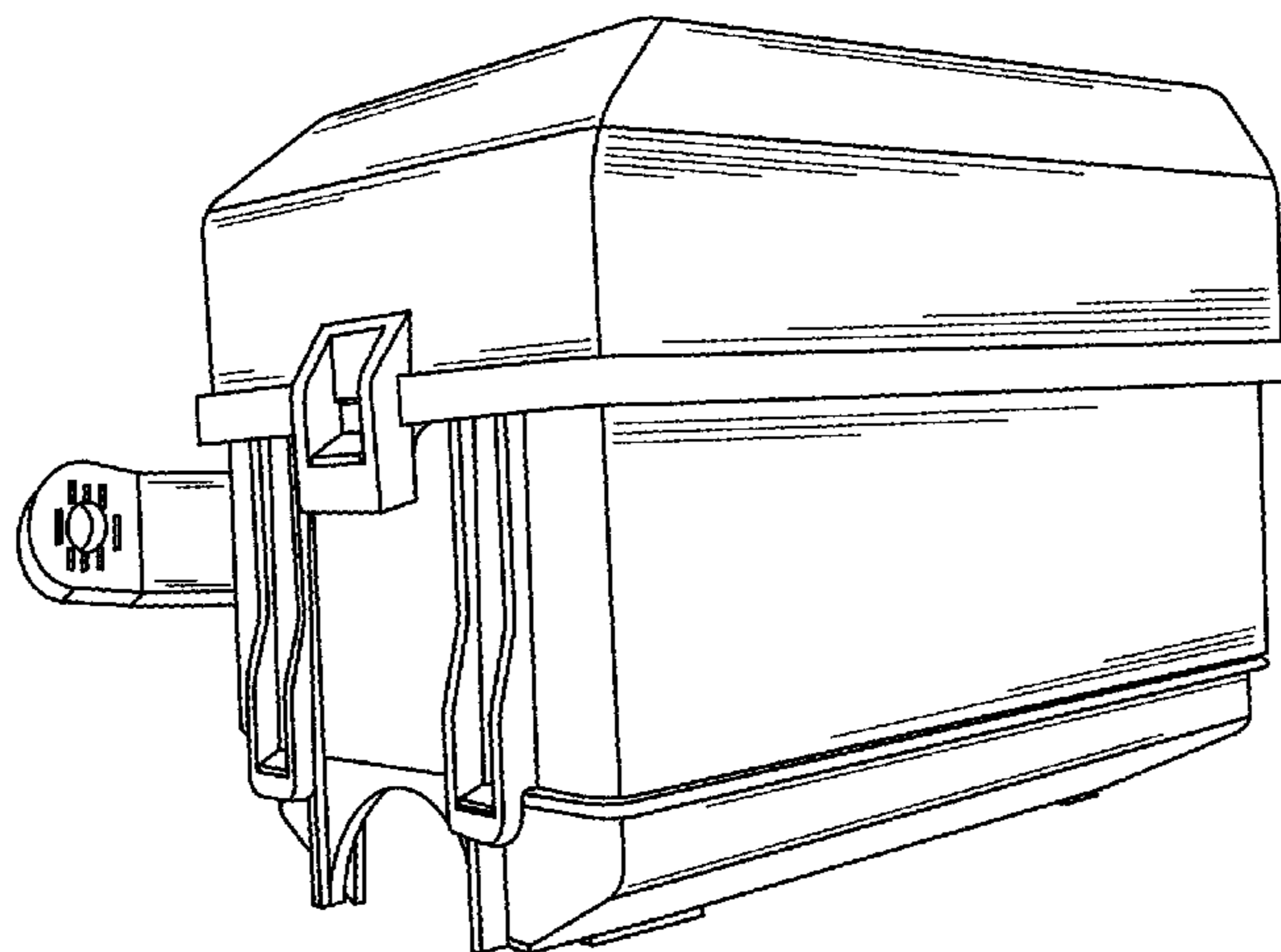
(57) **CLAIM**

I claim the ornamental design for an electrical box, as shown and described herein.

DESCRIPTION

FIG. 1 is a perspective view of the claimed electrical box.
 FIG. 2 is a perspective view of the claimed electrical box.
 FIG. 3 is a frontal view of the claimed electrical box relative to FIG. 1.
 FIG. 4 is a rear view of the claimed electrical box relative to FIG. 1.
 FIG. 5 is an end view of the claimed electrical box that is illustrated in FIG. 1.
 FIG. 6 is an end view of the claimed electrical box that is hidden in FIG. 1.
 FIG. 7 is a plan view of the claimed electrical box; and,
 FIG. 8 is a bottom view of the claimed electrical box.

1 Claim, 8 Drawing Sheets



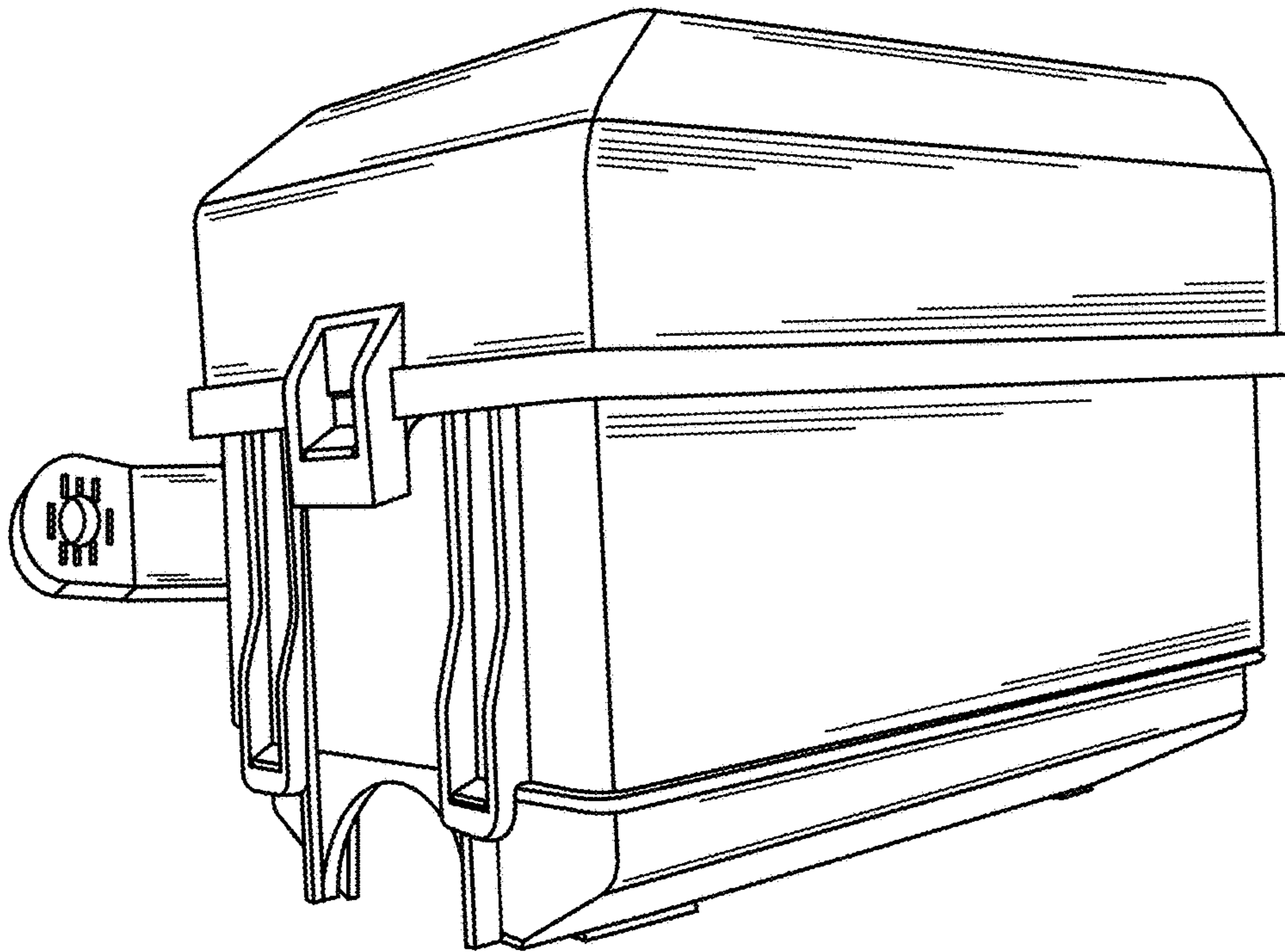


FIG. 1

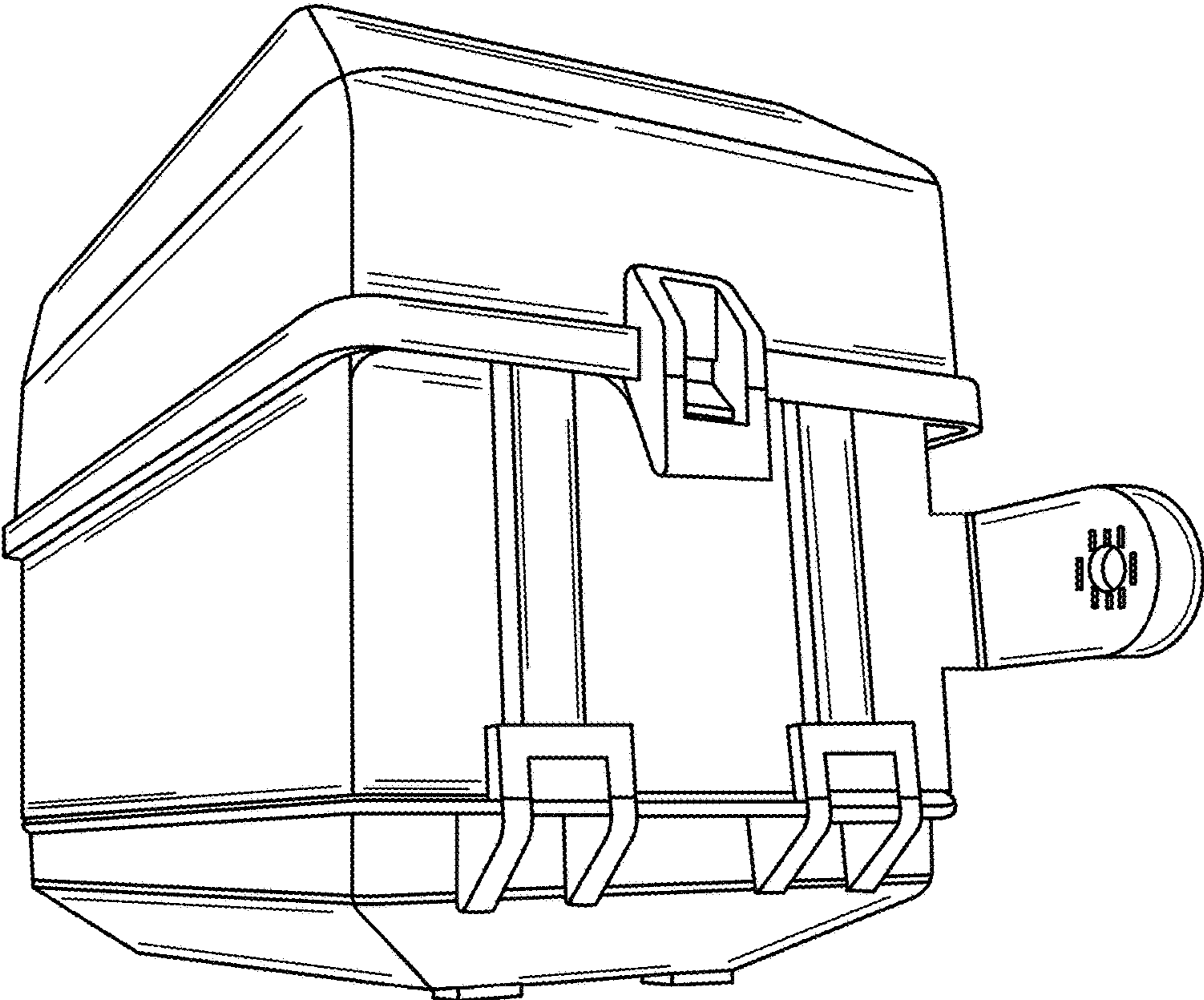


FIG. 2



FIG. 3

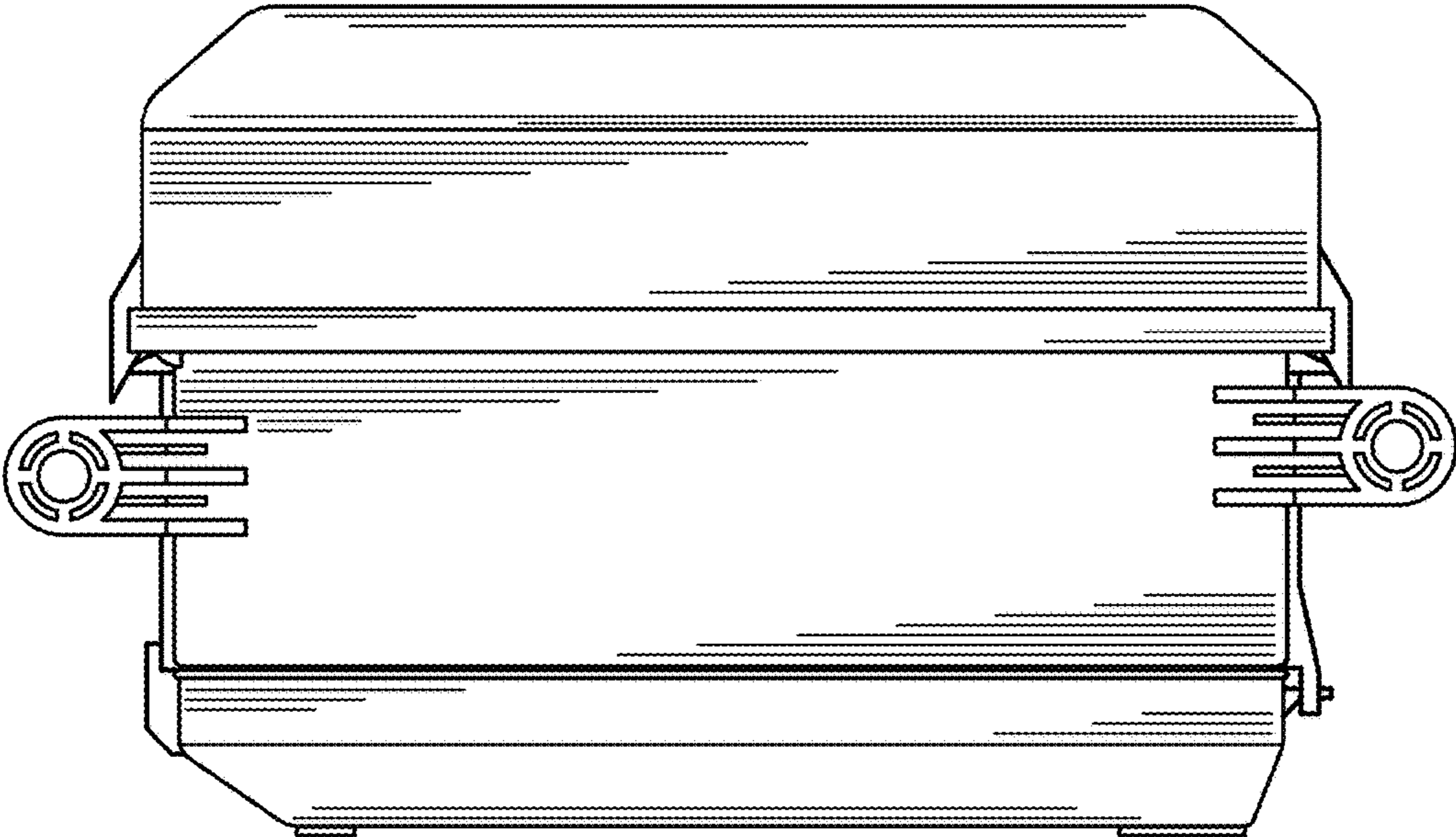


FIG. 4

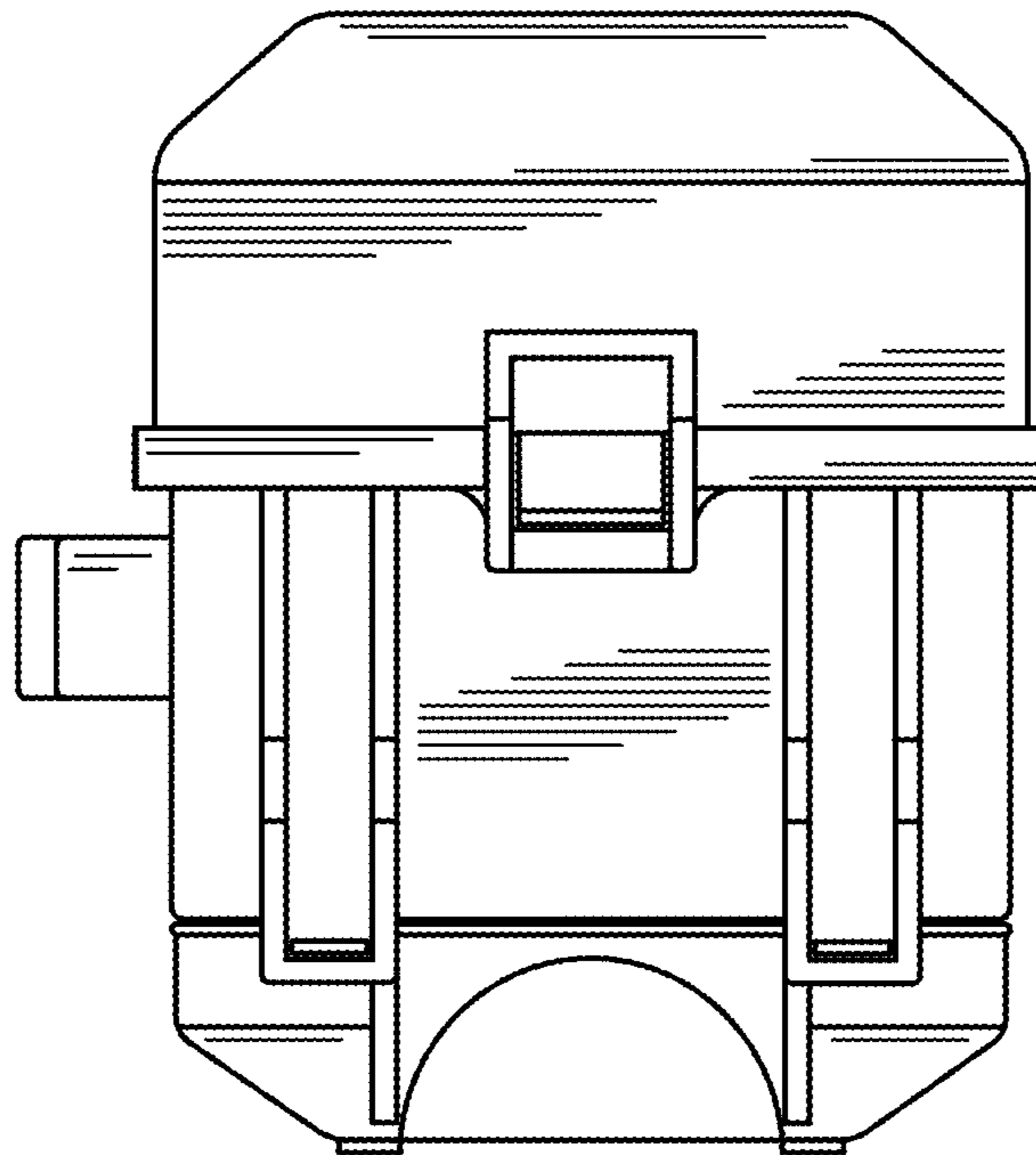


FIG. 5

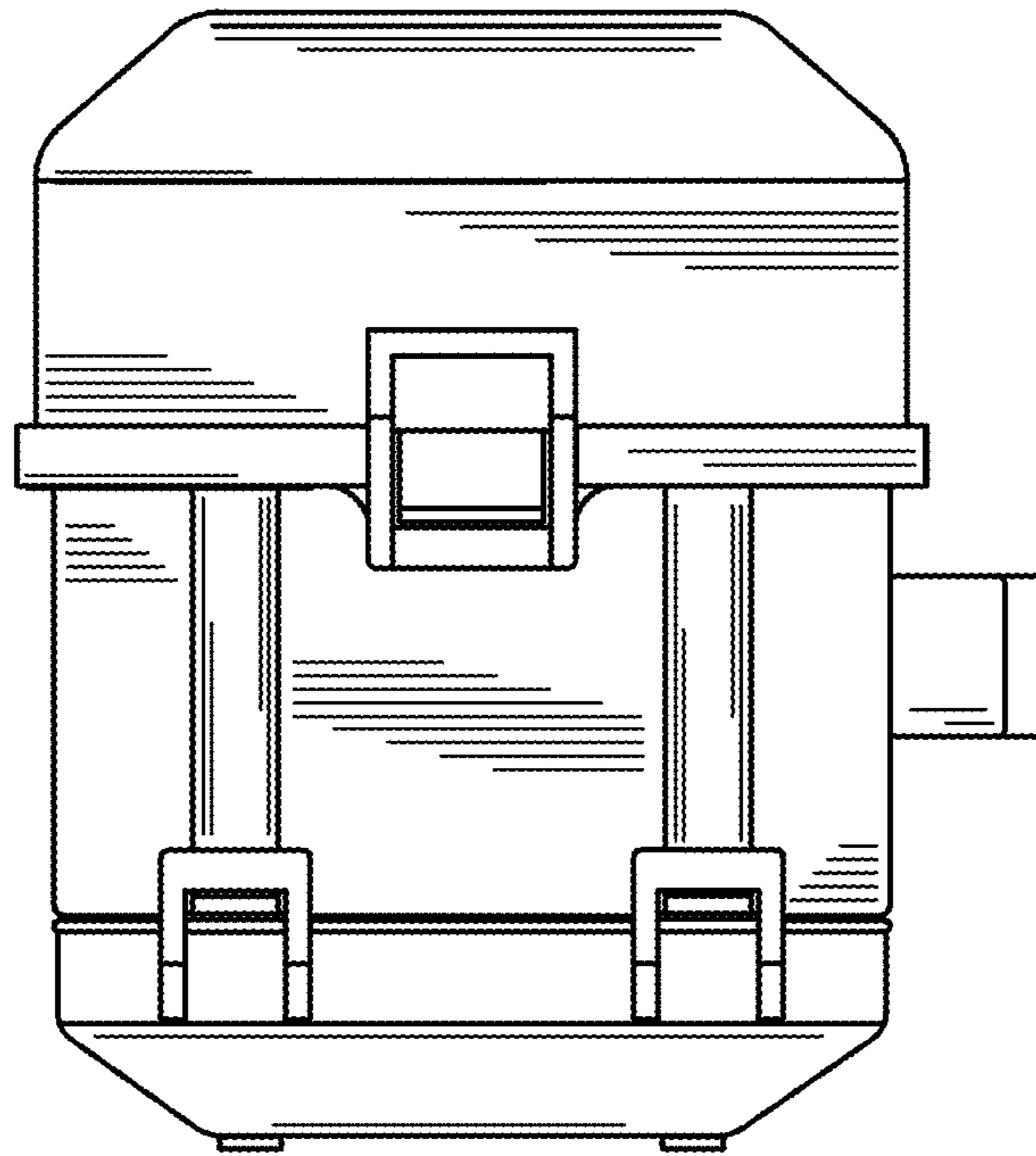


FIG. 6

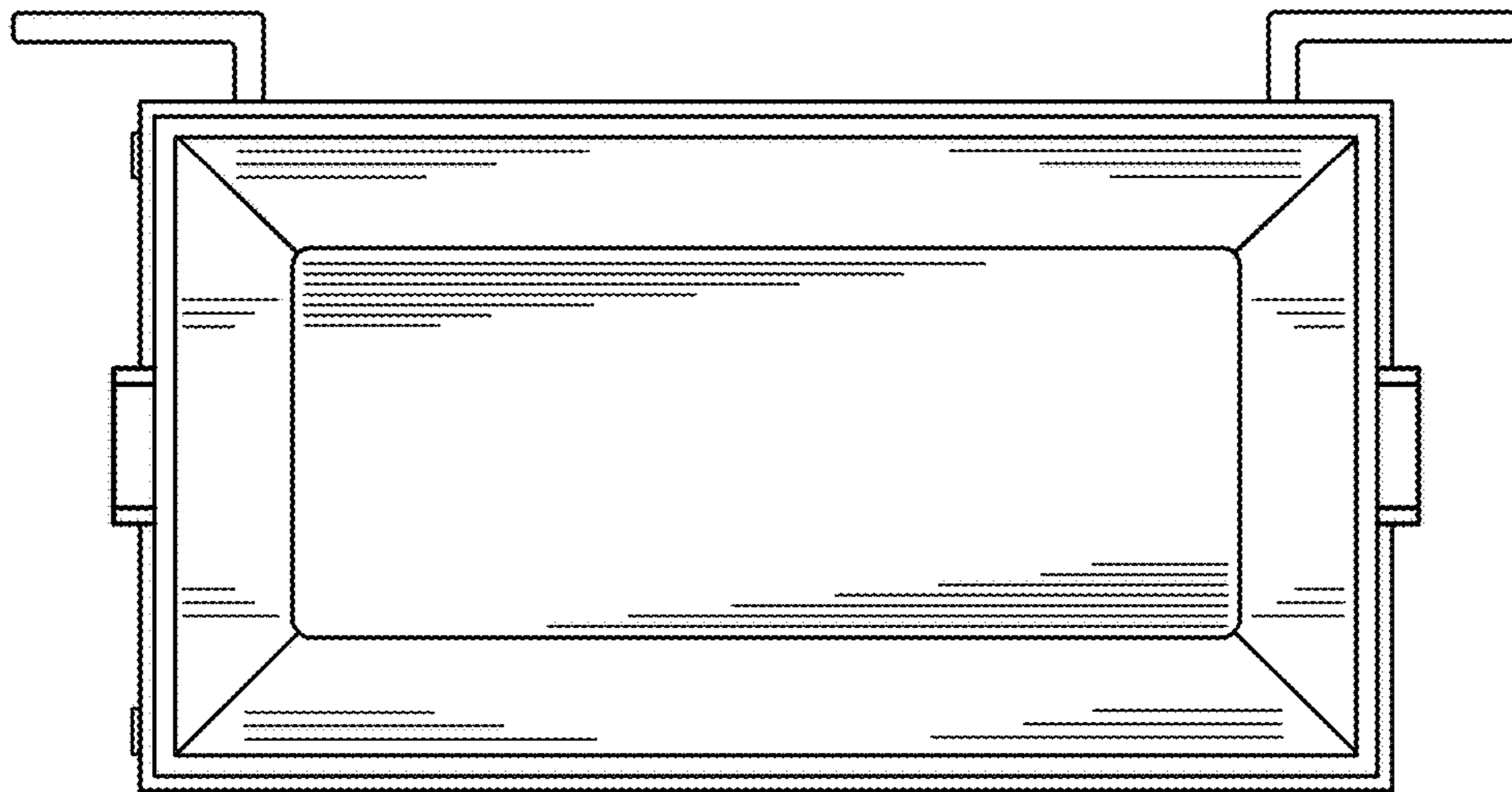


FIG. 7

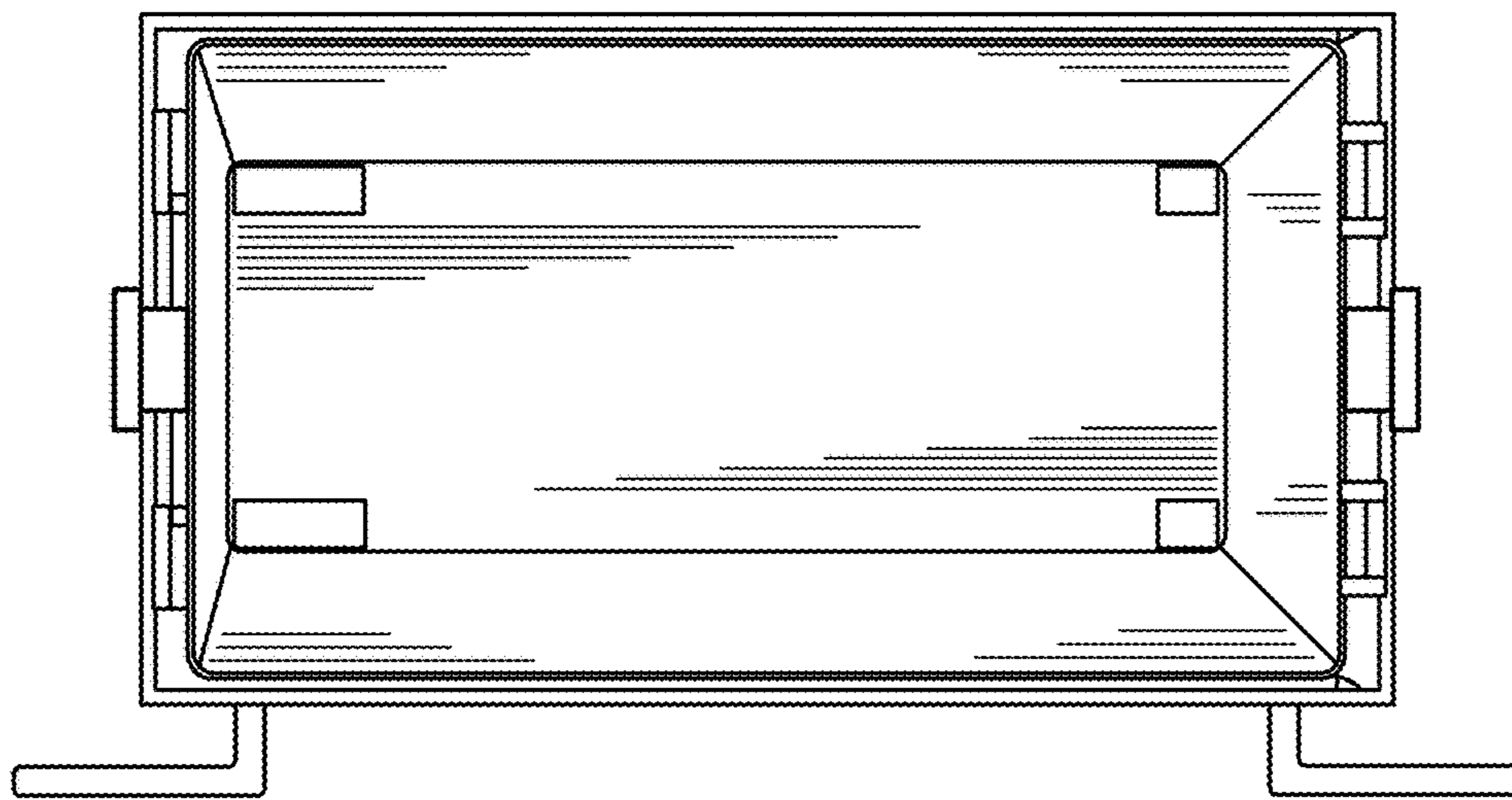


FIG. 8