



US00D840943S

(12) **United States Design Patent**
Hanson et al.

(10) **Patent No.:** **US D840,943 S**

(45) **Date of Patent:** **** Feb. 19, 2019**

(54) **CABLE JUNCTION DEVICE**

(71) Applicant: **PPC BROADBAND, INC.**, East
Syracuse, NY (US)

(72) Inventors: **Brian K. Hanson**, Cicero, NY (US);
André Martineau, Manlius, NY (US)

(73) Assignee: **PPC BROADBAND, INC.**, East
Syracuse, NY (US)

(**) Term: **15 Years**

(21) Appl. No.: **29/604,815**

(22) Filed: **May 19, 2017**

(51) **LOC (11) Cl.** **13-03**

(52) **U.S. Cl.**
USPC **D13/151**

(58) **Field of Classification Search**
USPC D13/133, 146, 147, 148, 151, 154, 158,
D13/173, 184, 199
CPC H02G 3/081; H02G 3/083; H02G 3/18;
H02G 15/00; H02G 15/02
See application file for complete search history.

(56) **References Cited**

U.S. PATENT DOCUMENTS

- 4,141,615 A * 2/1979 Takeuchi H01R 24/547
174/652
- D365,327 S * 12/1995 Reed D13/147
- D396,691 S * 8/1998 Shen D13/147
- D396,695 S * 8/1998 Shen D13/147
- D404,713 S * 1/1999 Hsiang D13/147

- D408,363 S * 4/1999 Hsiang D13/147
- D408,364 S * 4/1999 Hsiang D13/151
- D409,985 S * 5/1999 Hsiang D13/146
- D607,413 S * 1/2010 Egan D13/151
- D607,414 S * 1/2010 Egan D13/151
- D623,598 S * 9/2010 Kondo D13/151
- D673,914 S * 1/2013 Witkowski D13/151
- D673,916 S * 1/2013 Regnier D13/151
- D676,813 S * 2/2013 Wiest D13/151
- D751,509 S * 3/2016 Hanson D13/151
- D756,935 S * 5/2016 Hanson D13/151
- D786,204 S * 5/2017 Hochman D13/184

* cited by examiner

Primary Examiner — Rosemary K Tarcza

Assistant Examiner — Christy M Nemeth

(74) *Attorney, Agent, or Firm* — Oliff PLC

(57) **CLAIM**

The ornamental design for a cable junction device, as shown and described.

DESCRIPTION

FIG. 1 is a front, top, left-side view of the cable junction device;

FIG. 2 is a rear, top, left-side view thereof;

FIG. 3 is a front elevational view thereof;

FIG. 4 is a rear elevational view thereof;

FIG. 5 is a right-side elevational view thereof;

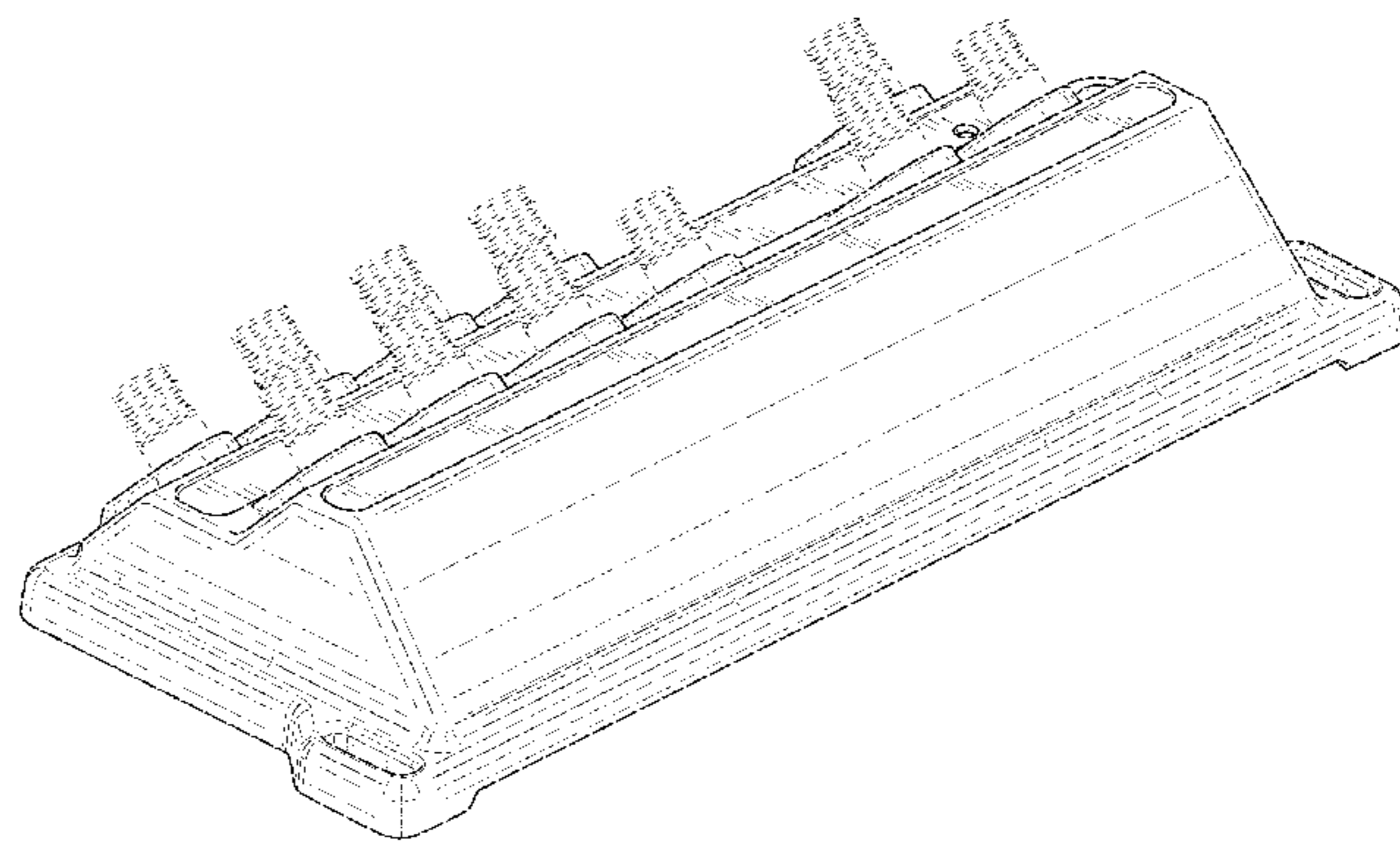
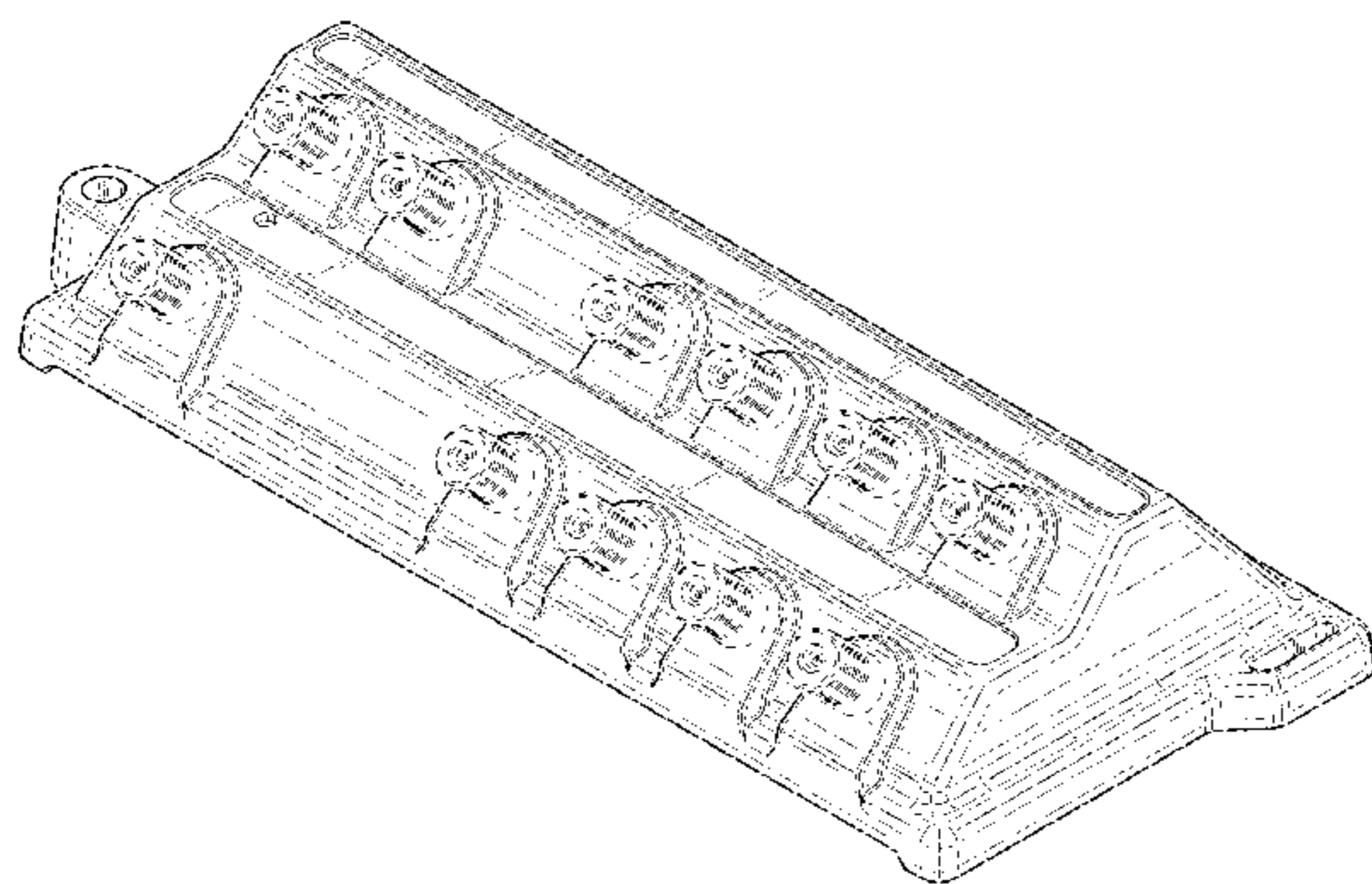
FIG. 6 is a left-side elevational view thereof;

FIG. 7 is a top plan view thereof; and,

FIG. 8 is a bottom plan view thereof.

The broken lines depict unclaimed portions of the cable junction device, and thus form no part of the claimed design.

1 Claim, 8 Drawing Sheets



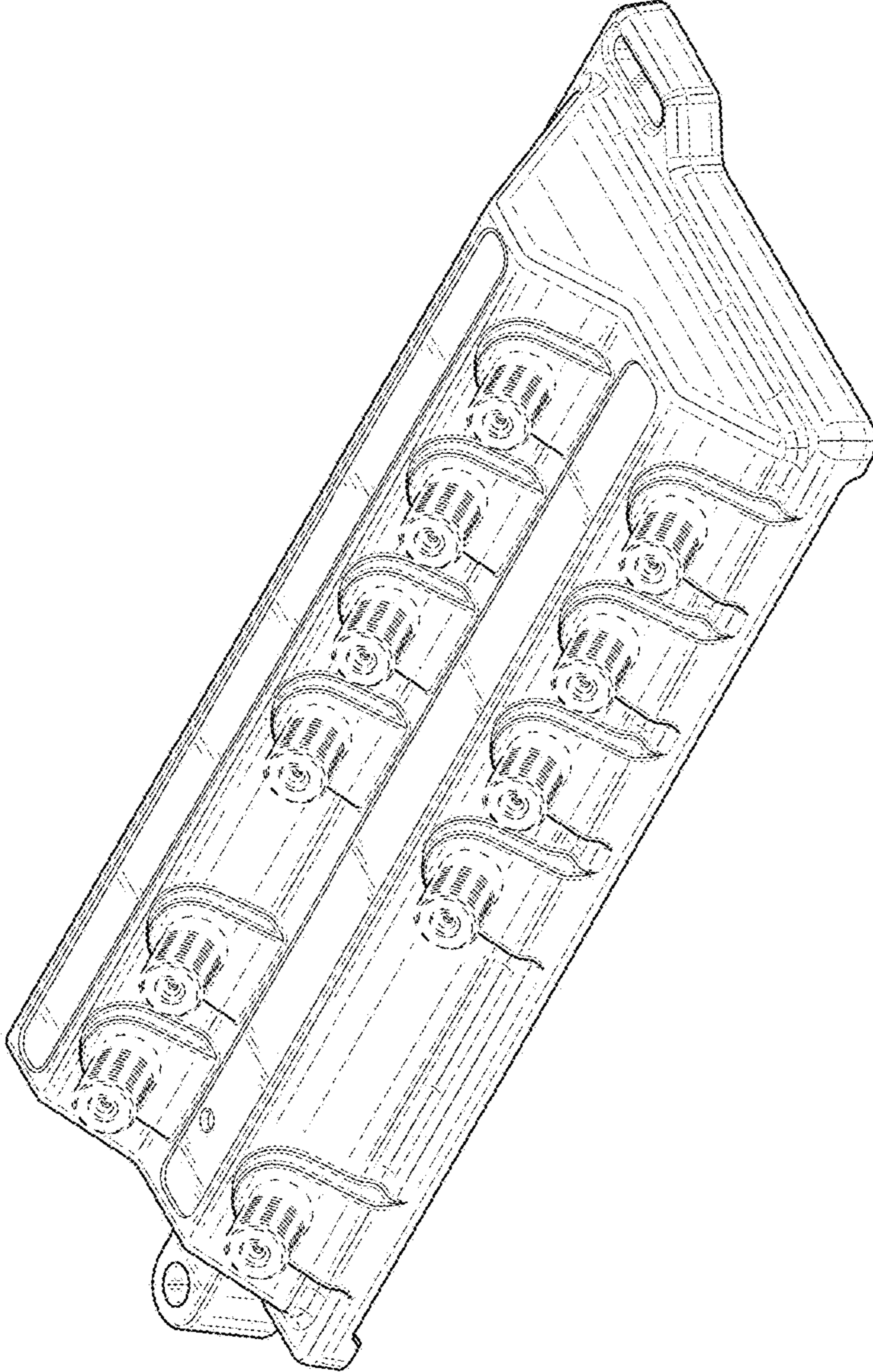


FIG. 1

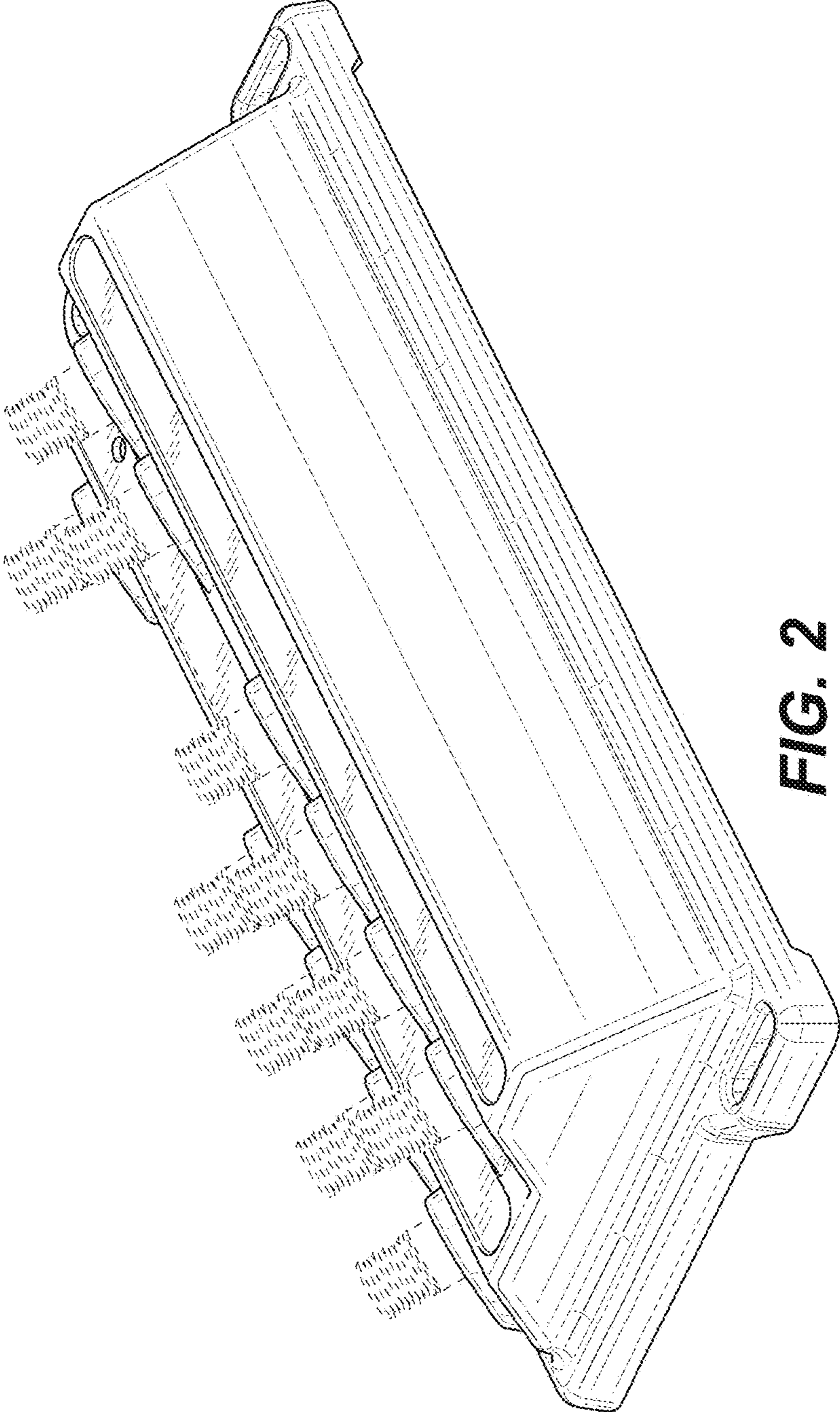


FIG. 2

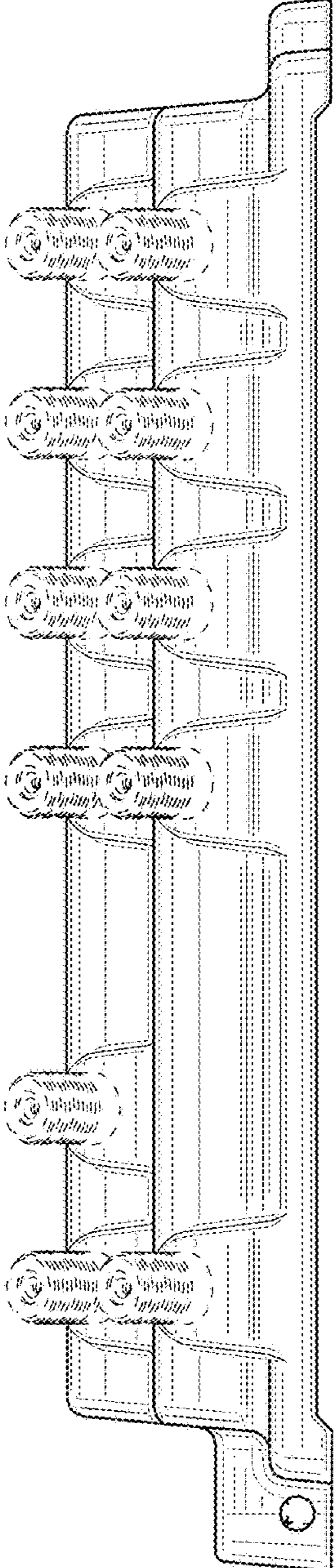


FIG. 3

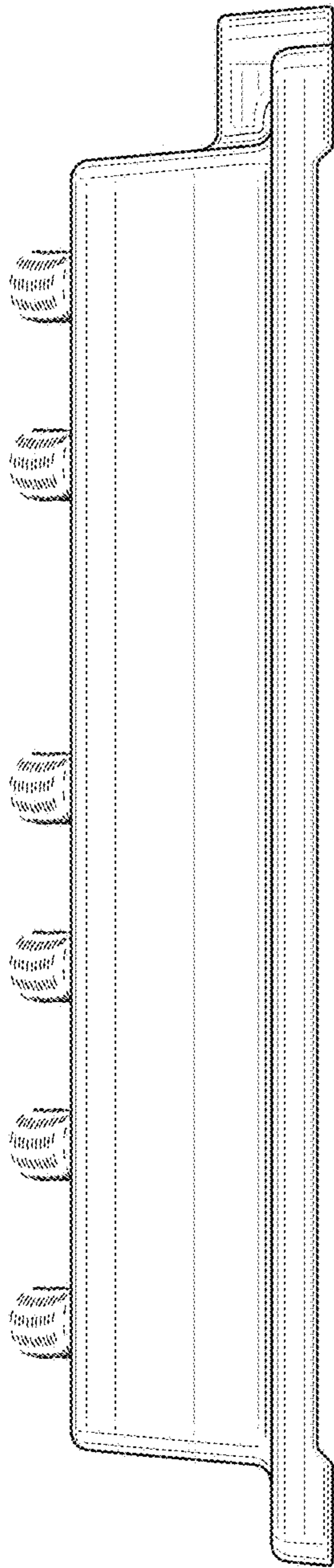


FIG. 4

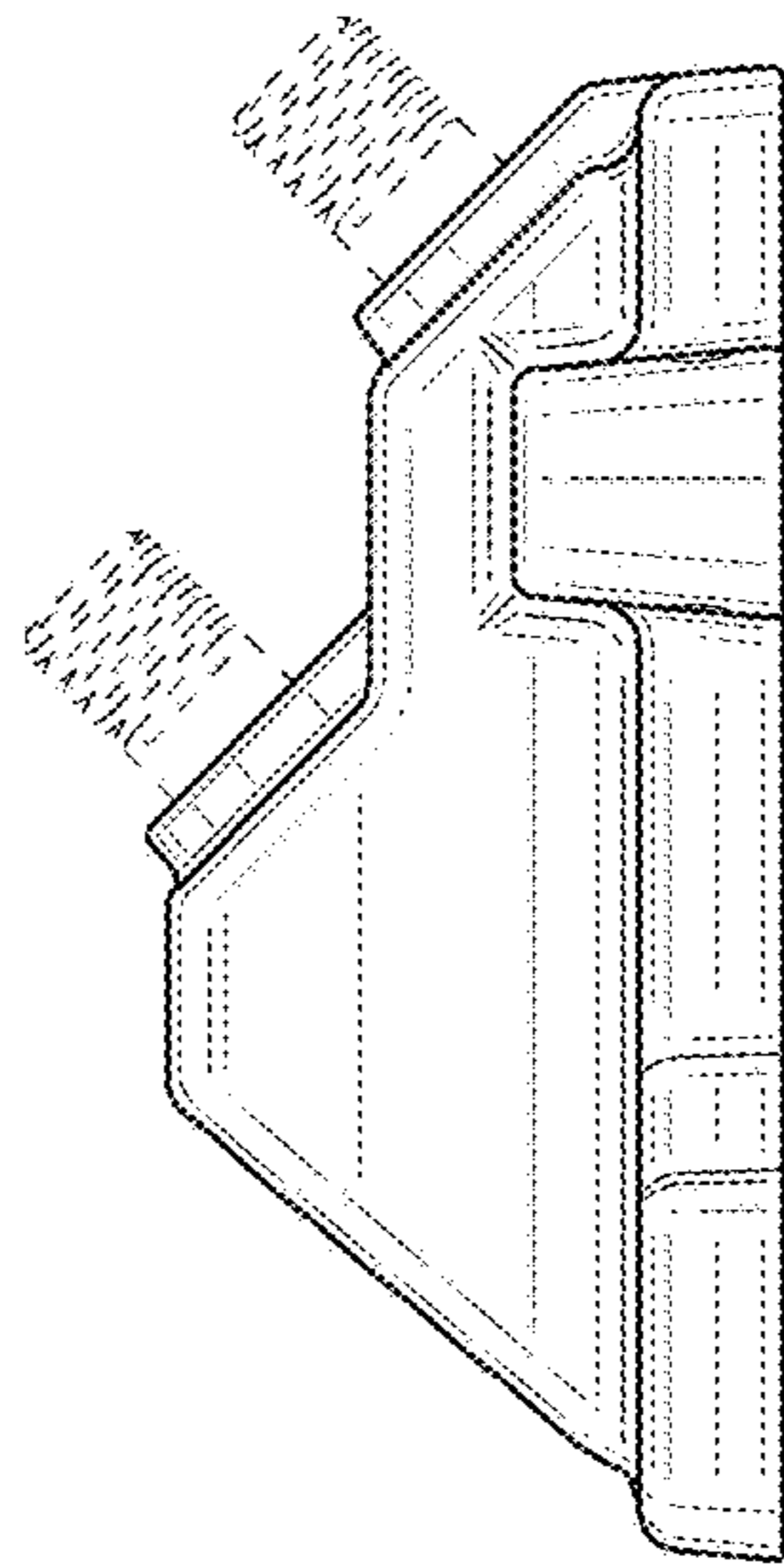


FIG. 5

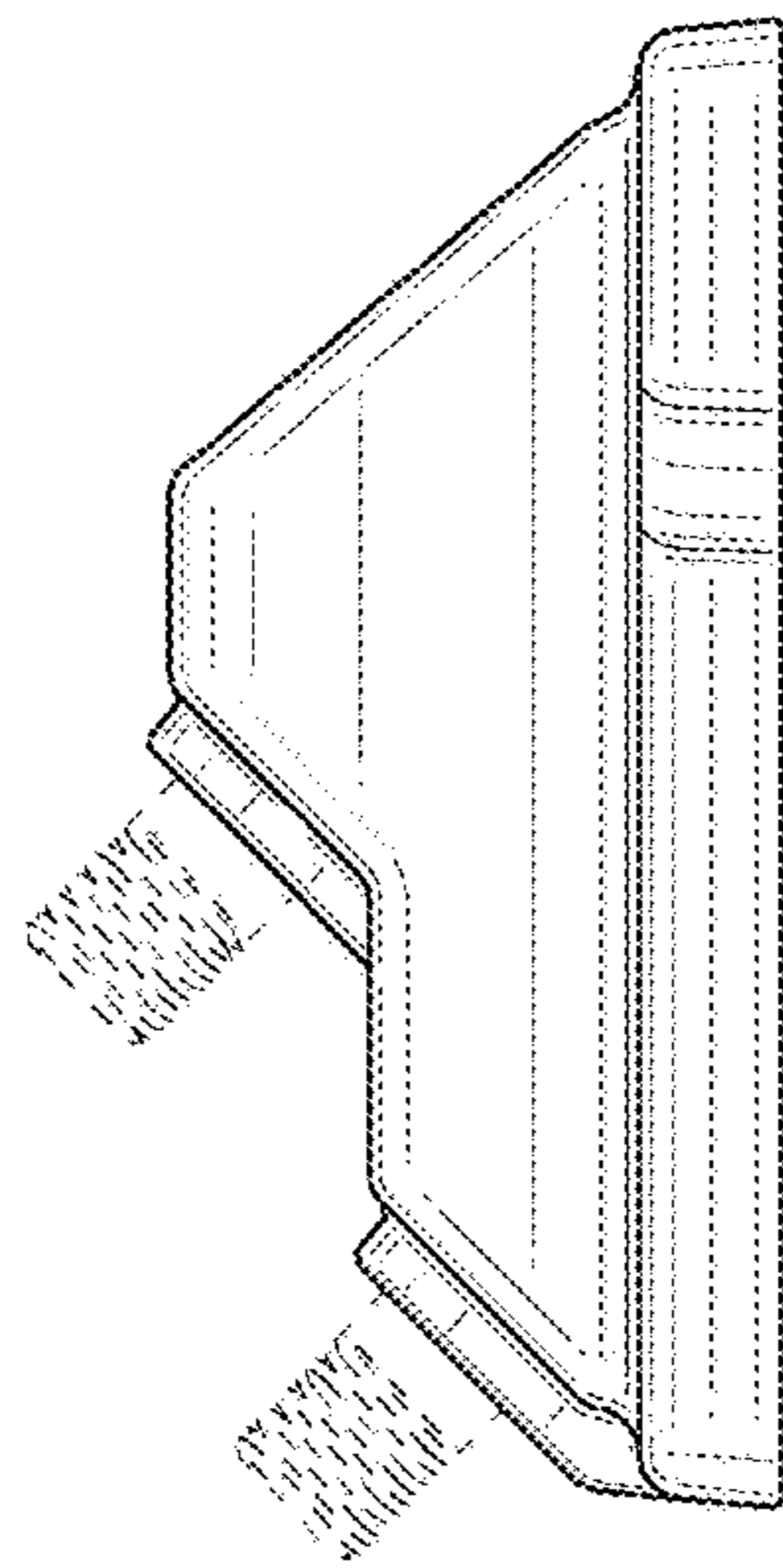


FIG. 6

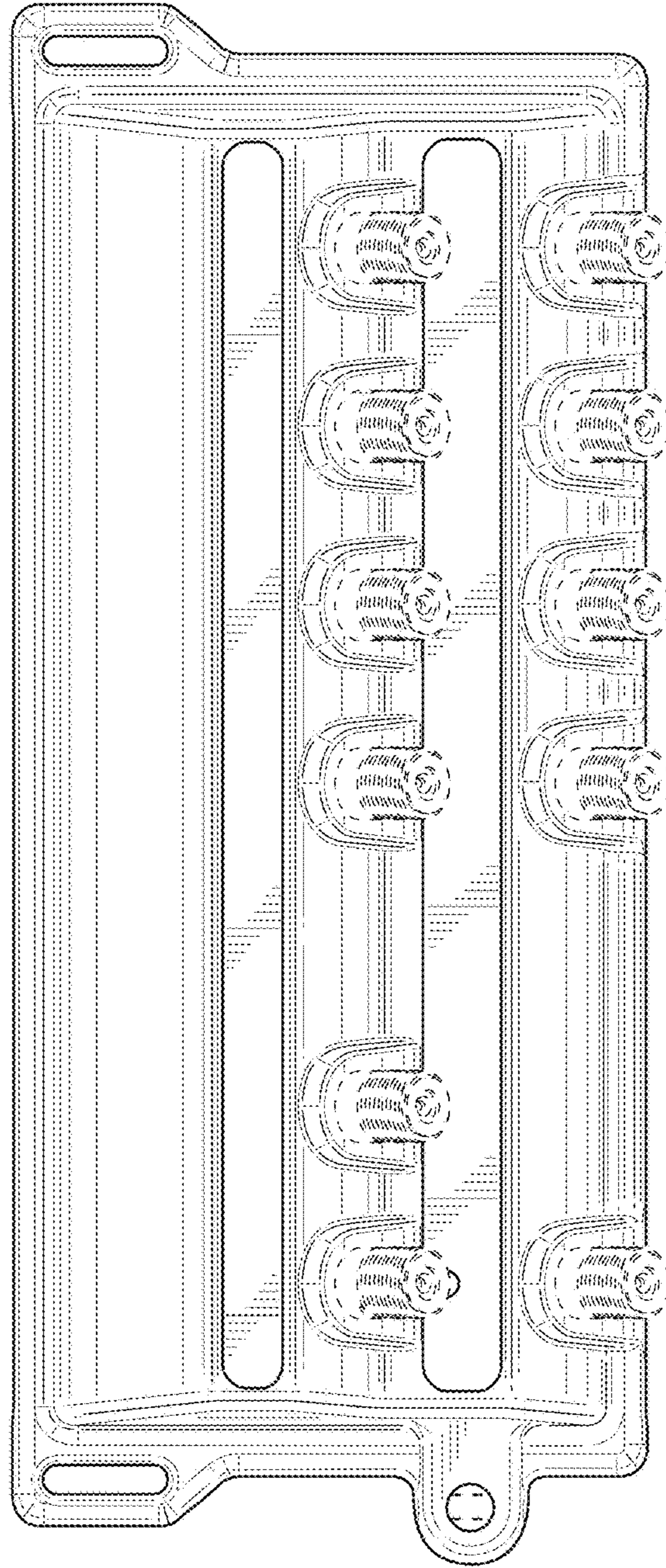


FIG. 7

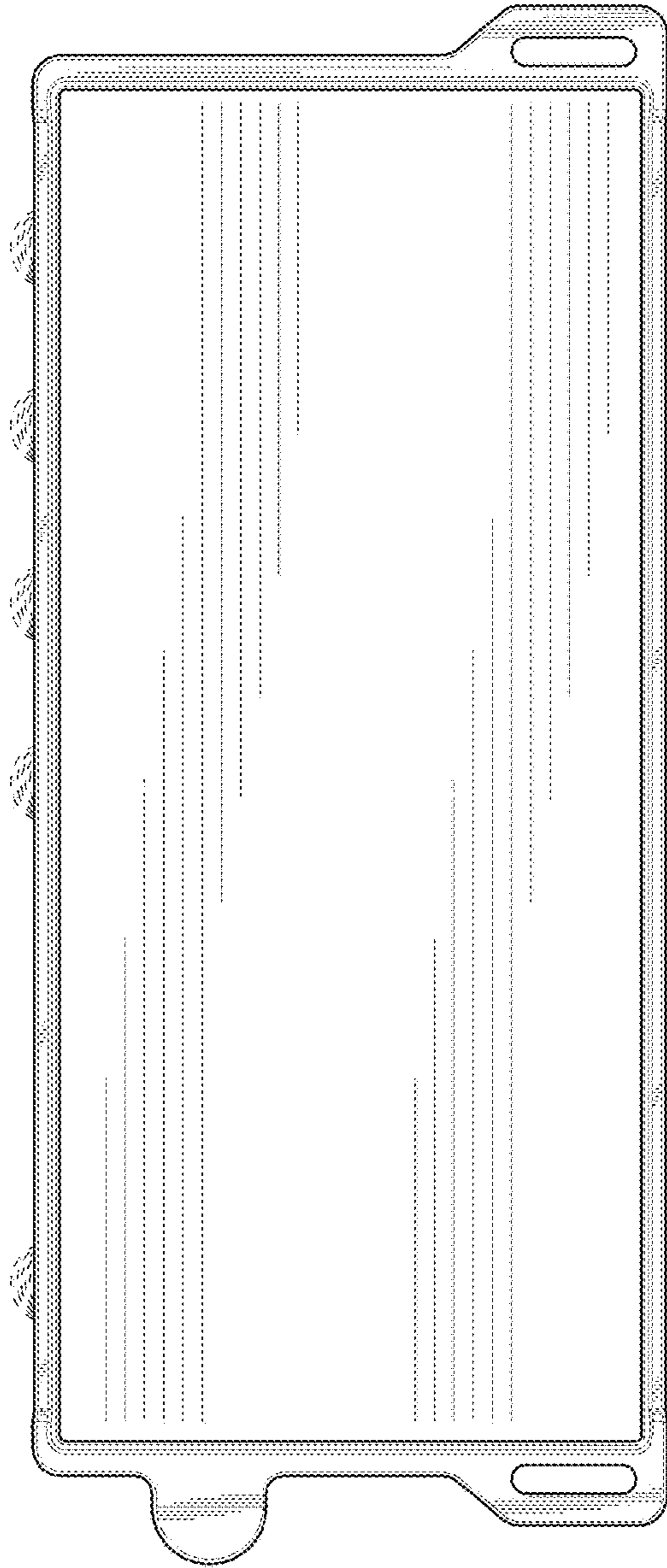


FIG. 8