



US00D840941S

(12) **United States Design Patent** (10) **Patent No.:** **US D840,941 S**
Ishimaru (45) **Date of Patent:** **** Feb. 19, 2019**

(54) **ELECTRICAL CONNECTOR**

(71) Applicant: **DAI-ICHI SEIKO CO., LTD.**,
Kyoto-shi (JP)

(72) Inventor: **Masao Ishimaru**, Ogori (JP)

(73) Assignee: **DAI-ICHI SEIKO CO., LTD.**,
Kyoto-shi (JP)

(**) Term: **15 Years**

(21) Appl. No.: **29/621,356**

(22) Filed: **Oct. 6, 2017**

(30) **Foreign Application Priority Data**

Apr. 7, 2017 (JP) 2017-007497

(51) **LOC (11) Cl.** **13-03**

(52) **U.S. Cl.**
USPC **D13/147**

(58) **Field of Classification Search**
USPC D13/133, 146, 147, 154, 184, 199
See application file for complete search history.

(56) **References Cited**

U.S. PATENT DOCUMENTS

D607,410 S *	1/2010	Ikari	D13/147
D626,079 S *	10/2010	Yotsutani	D13/147
D641,322 S *	7/2011	Kurachi	D13/147
D645,824 S *	9/2011	Kurachi	D13/147
D686,994 S *	7/2013	Ibaraki	D13/147
D725,596 S *	3/2015	Ikari	D13/147

* cited by examiner

Primary Examiner — Daniel D Bui

(74) *Attorney, Agent, or Firm* — Oblon, McClelland,
Maier & Neustadt, L.L.P.

(57) **CLAIM**

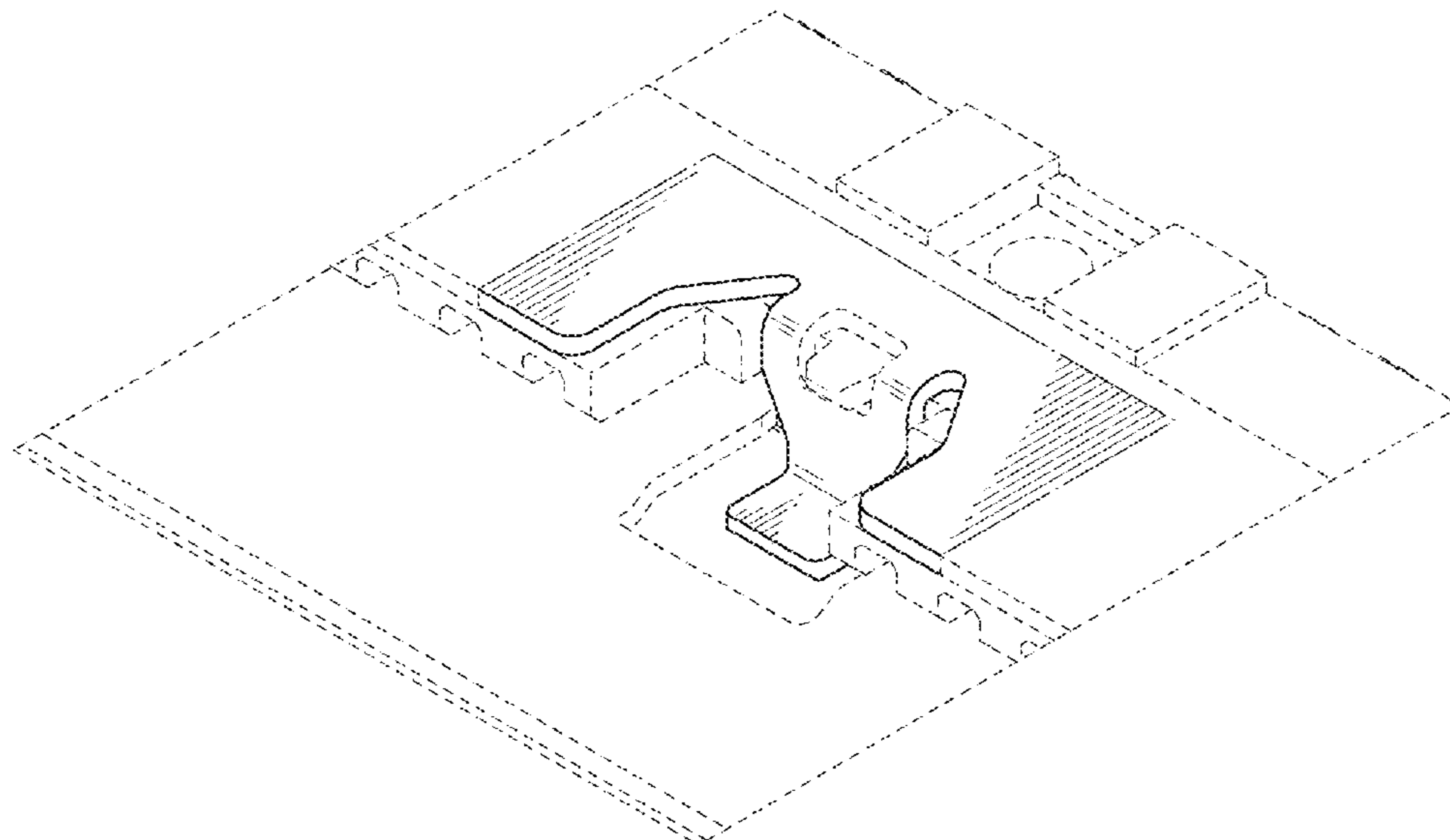
The ornamental design for an electrical connector, as shown and described.

DESCRIPTION

FIG. 1 is a front elevational view of an electrical connector showing my new design;
 FIG. 2 is a rear elevational view thereof;
 FIG. 3 is a top plan view thereof;
 FIG. 4 is a bottom plan view thereof;
 FIG. 5 is a right side elevational view thereof;
 FIG. 6 is a left side elevational view thereof;
 FIG. 7 is a front, top and right side perspective view thereof;
 FIG. 8 is a rear, bottom and left side perspective view thereof;
 FIG. 9 is an enlarged cross-sectional view along the line 9-9 in FIG. 3;
 FIG. 10 is an enlarged view showing a portion of FIG. 1 defined by lines 10-10 and 10'-10';
 FIG. 11 is an enlarged view showing a portion of FIG. 3 defined by lines 11-11 and 11'-11';
 FIG. 12 is an enlarged view showing a portion of FIG. 7 defined by lines 12-12 and 12'-12'; and,
 FIG. 13 is an enlarged view showing a portion of FIG. 8 defined by lines 13-13 and 13'-13'.

The evenly-dashed broken lines in the drawings illustrate the portions of the design that form no part of the claim. The dot-dash broken lines in the drawings represent the bounds of the claimed subject matter, the dot-dash broken lines, themselves forming no part thereof.

1 Claim, 13 Drawing Sheets



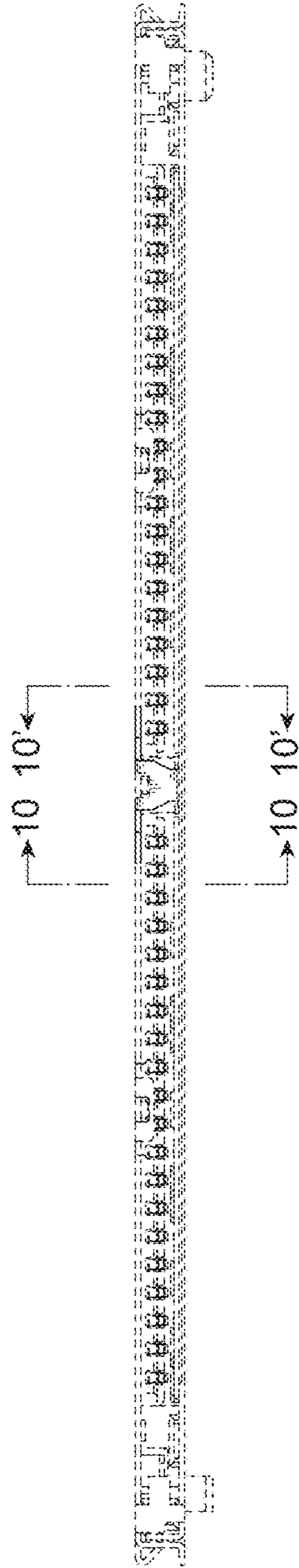


FIG. 1

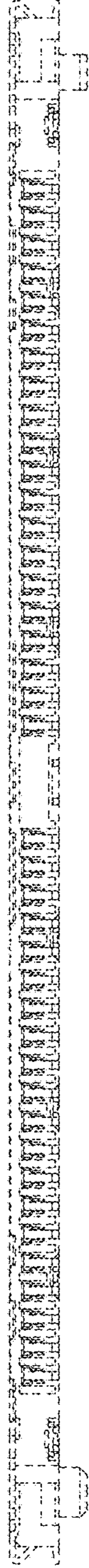


FIG. 2

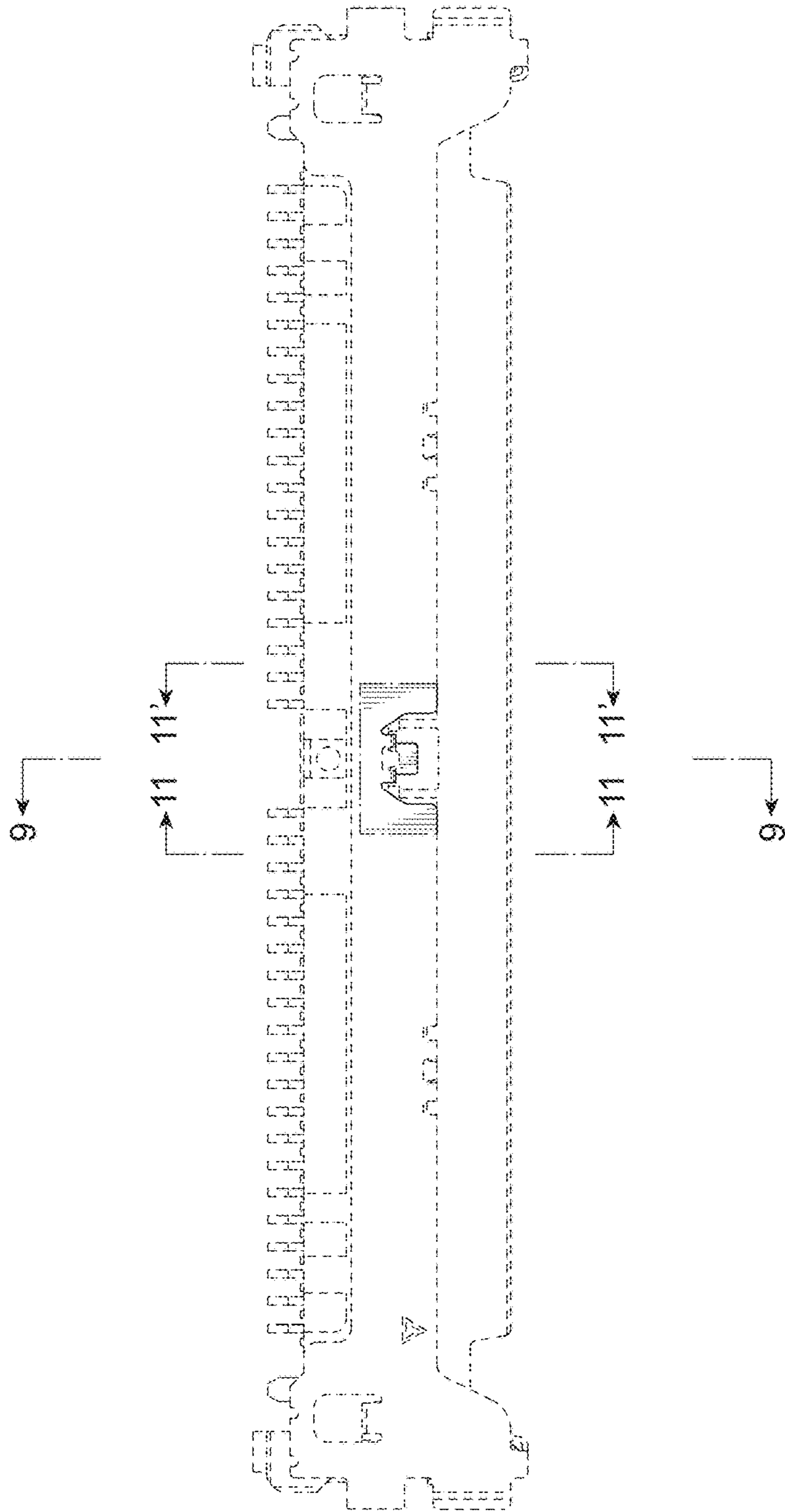


FIG. 3

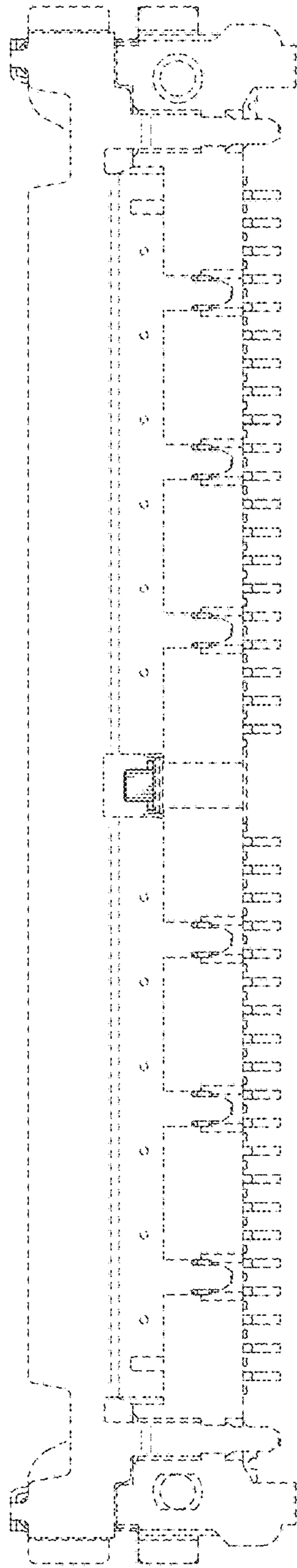


FIG. 4



FIG. 5



FIG. 6

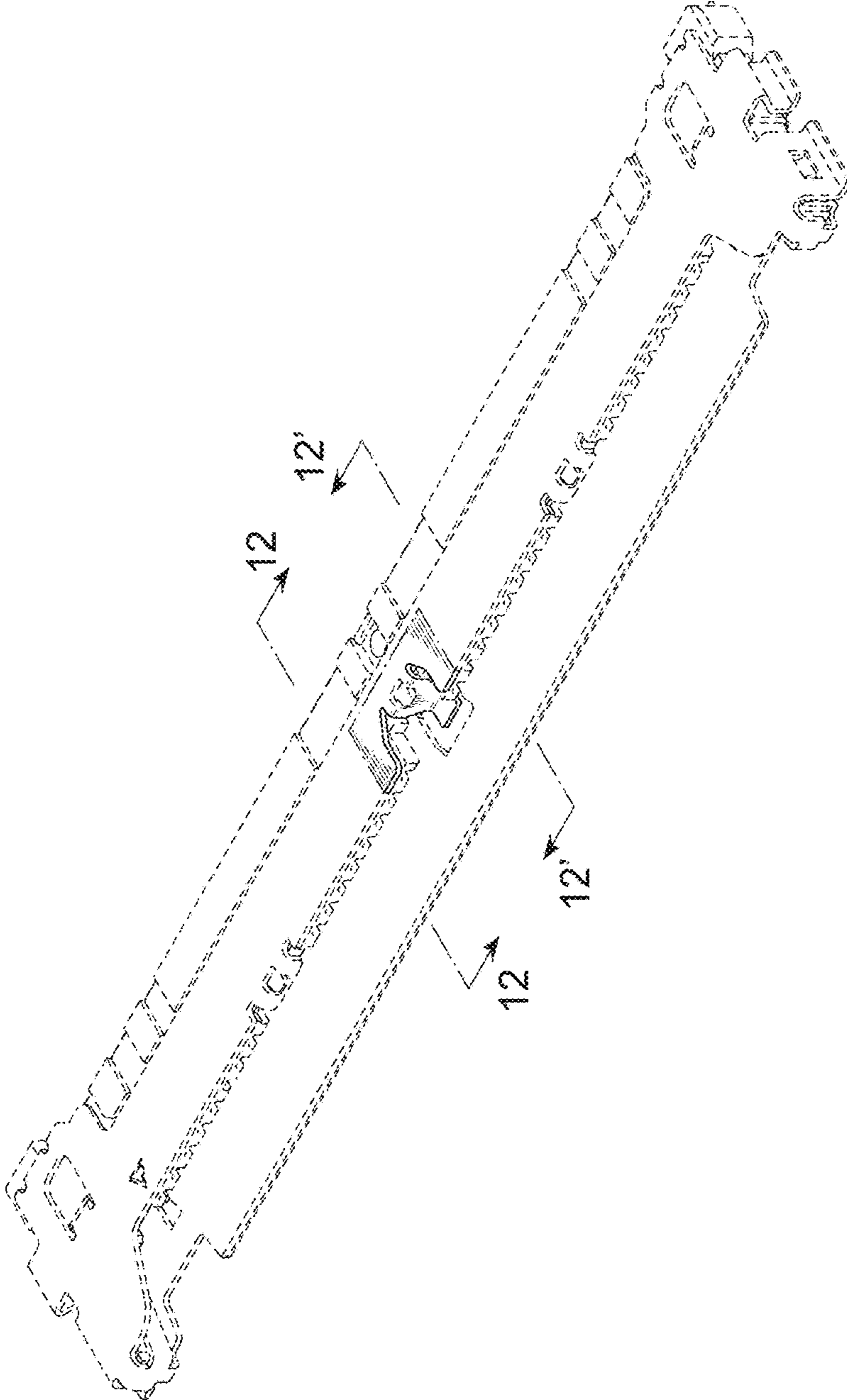


FIG. 7

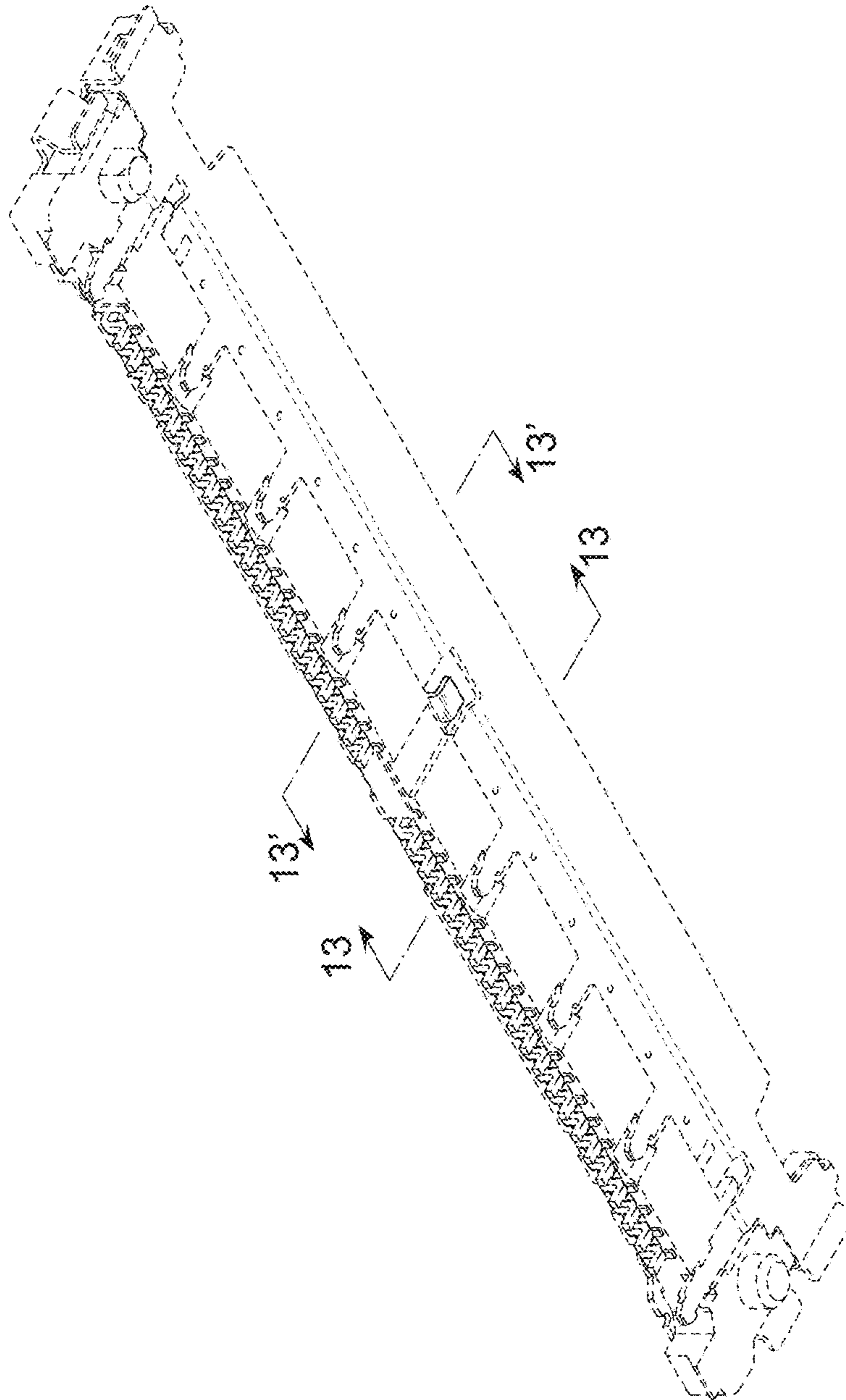


FIG. 8

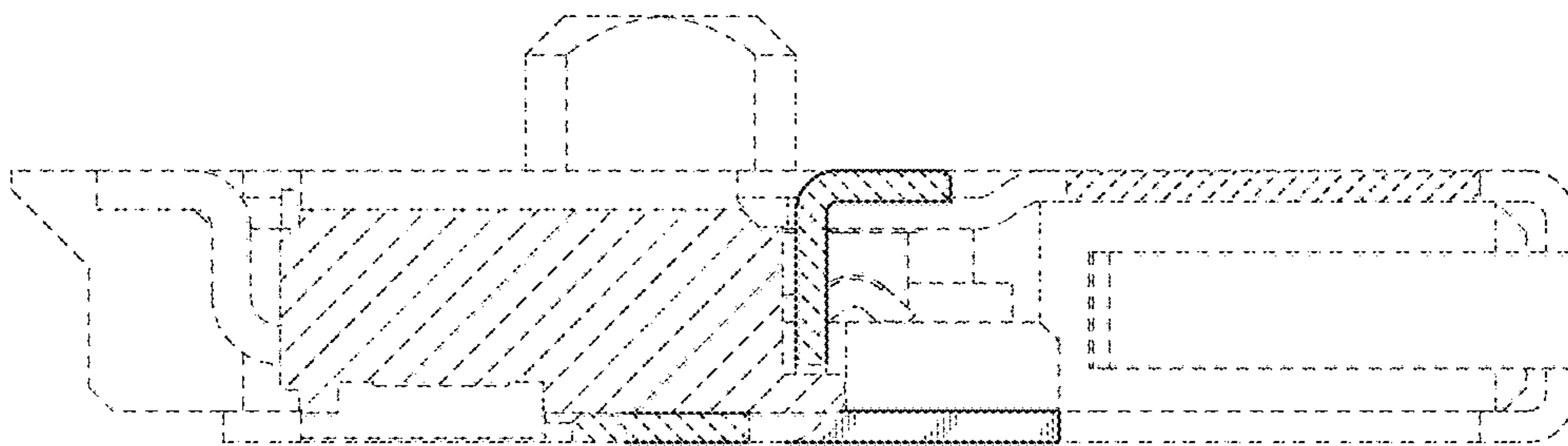


FIG. 9

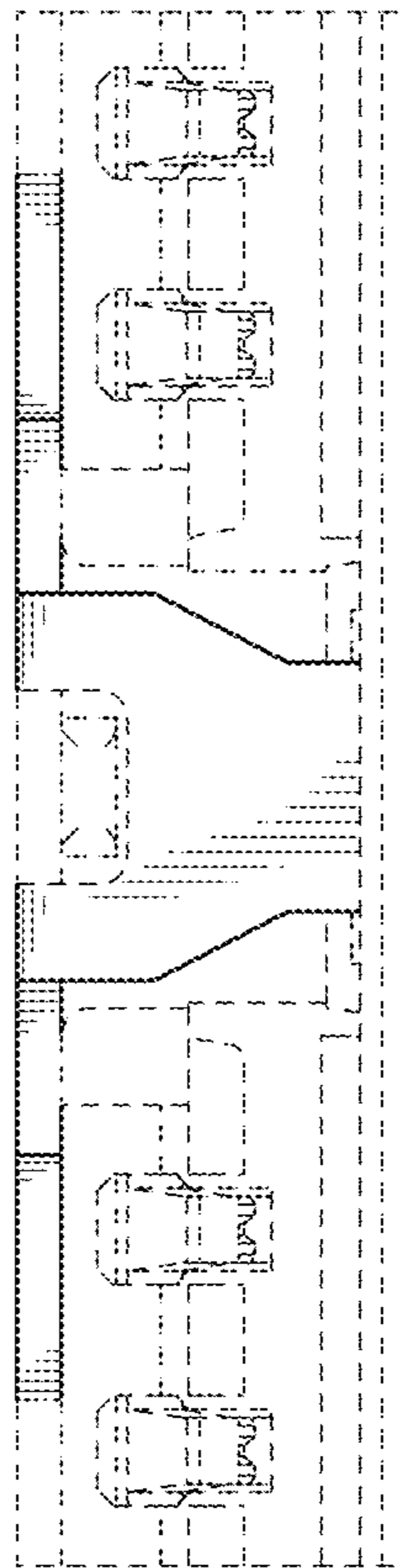


FIG. 10

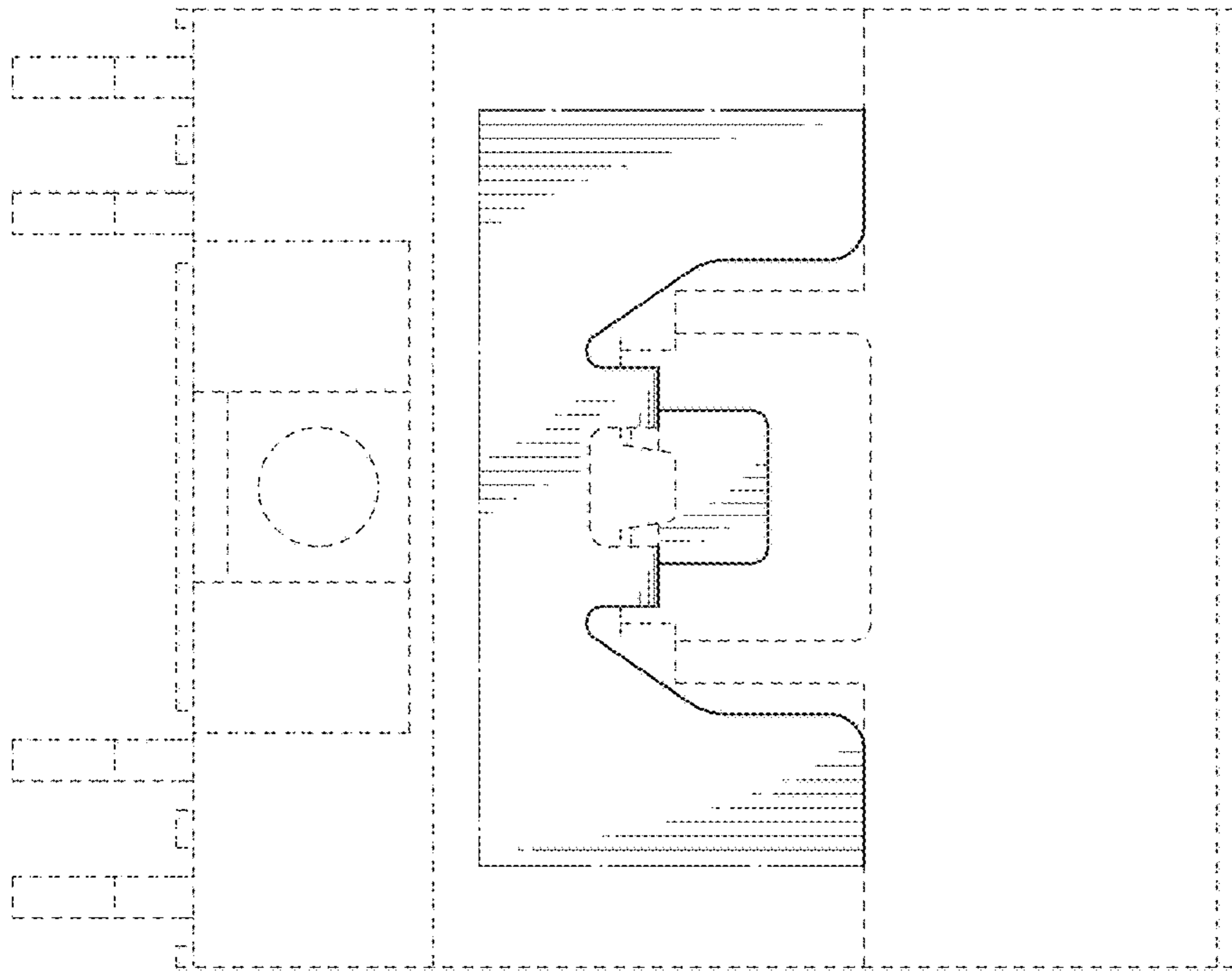


FIG. 11

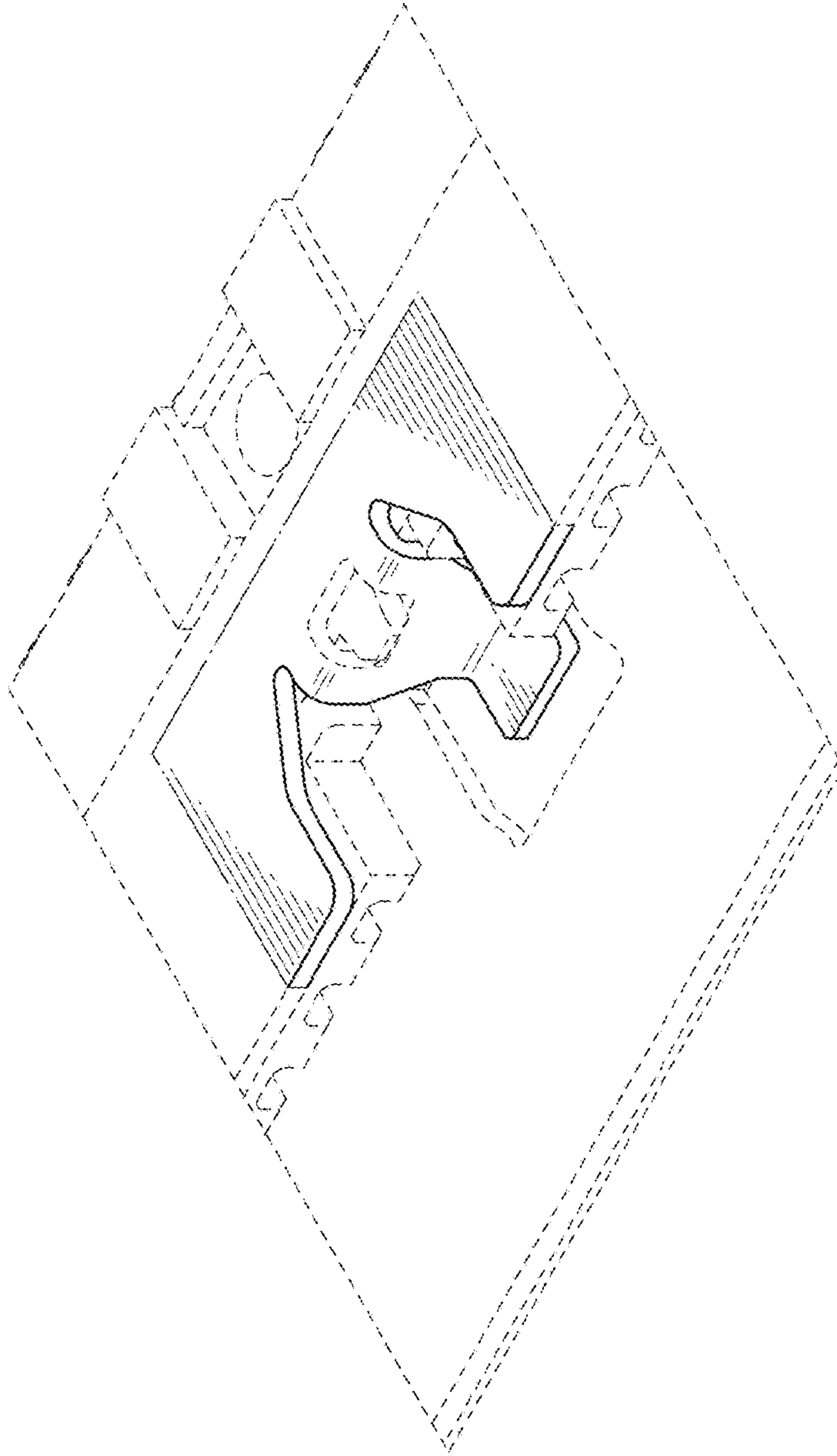


FIG. 12

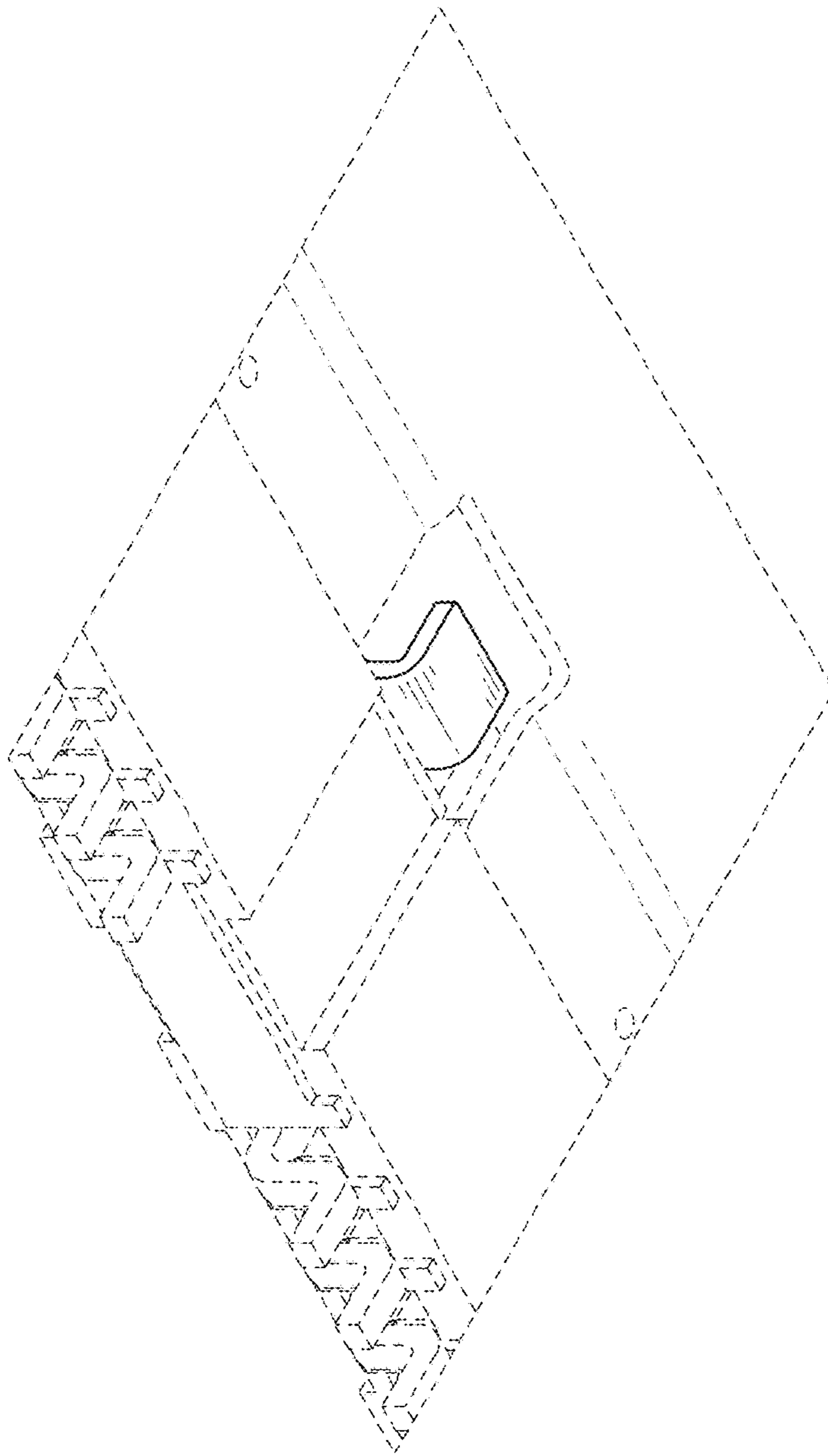


FIG. 13