



US00D840940S

(12) **United States Design Patent** (10) **Patent No.:** **US D840,940 S**
Ishimaru (45) **Date of Patent:** **** Feb. 19, 2019**

(54) **ELECTRICAL CONNECTOR**

(71) Applicant: **DAI-ICHI SEIKO CO., LTD.**,
Kyoto-shi (JP)

(72) Inventor: **Masao Ishimaru**, Ogori (JP)

(73) Assignee: **DAI-ICHI SEIKO CO., LTD.**,
Kyoto-shi (JP)

(**) Term: **15 Years**

(21) Appl. No.: **29/621,350**

(22) Filed: **Oct. 6, 2017**

(30) **Foreign Application Priority Data**

Apr. 7, 2017 (JP) 2017-007496

(51) **LOC (11) Cl.** **13-03**

(52) **U.S. Cl.**
USPC **D13/147**

(58) **Field of Classification Search**
USPC D13/133, 146, 147, 154, 184, 199
See application file for complete search history.

(56) **References Cited**

U.S. PATENT DOCUMENTS

D597,488 S *	8/2009	Kikuchi	D13/147
D608,290 S *	1/2010	Ikari	D13/147
D617,280 S *	6/2010	Yotsutani	D13/147
D623,139 S *	9/2010	Nanao	D13/147
D624,507 S *	9/2010	Yotsutani	D13/147
D688,208 S *	8/2013	Nakajima	D13/147

* cited by examiner

Primary Examiner — Daniel D Bui

(74) *Attorney, Agent, or Firm* — Oblon, McClelland,
Maier & Neustadt, L.L.P.

(57) **CLAIM**

The ornamental design for an electrical connector, as shown and described.

DESCRIPTION

FIG. 1 is a front elevational view of an electrical connector showing my new design;

FIG. 2 is a rear elevational view thereof;

FIG. 3 is a top plan view thereof;

FIG. 4 is a bottom plan view thereof;

FIG. 5 is a right side elevational view thereof;

FIG. 6 is a left side elevational view thereof;

FIG. 7 is a front, top and right side perspective view thereof;

FIG. 8 is a rear, bottom and left side perspective view thereof;

FIG. 9 is an enlarged cross-sectional view along the line 9-9 in FIG. 3;

FIG. 10 is an enlarged cross-sectional view along the line 10-10 in FIG. 3;

FIG. 11 is an enlarged view showing a portion of FIG. 3 defined by lines 11-11 and 11'-11';

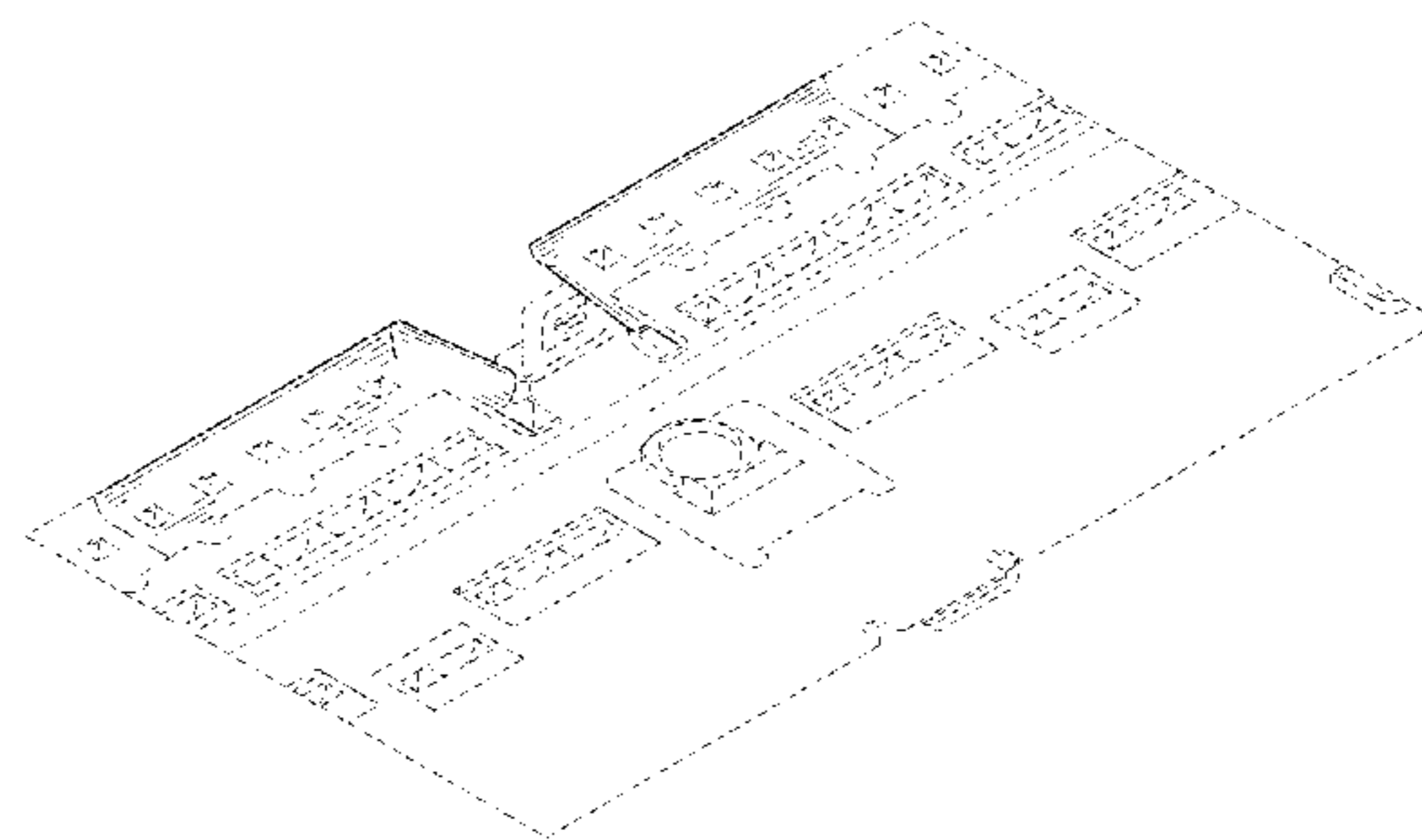
FIG. 12 is an enlarged view showing a portion of FIG. 2 defined by lines 12-12 and 12'-12';

FIG. 13 is an enlarged view showing a portion of FIG. 7 defined by lines 13-13 and 13'-13'; and,

FIG. 14 is an enlarged view showing a portion of FIG. 8 defined by lines 14-14 and 14'-14'.

The evenly-dashed broken lines in the drawings illustrate the portions of the design that form no part of the claim. The dot-dash broken lines in the drawings represent the bounds of the claimed subject matter, the dot-dash broken lines, themselves forming no part thereof.

1 Claim, 14 Drawing Sheets



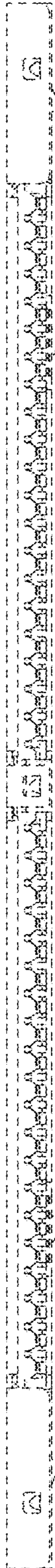


FIG. 1

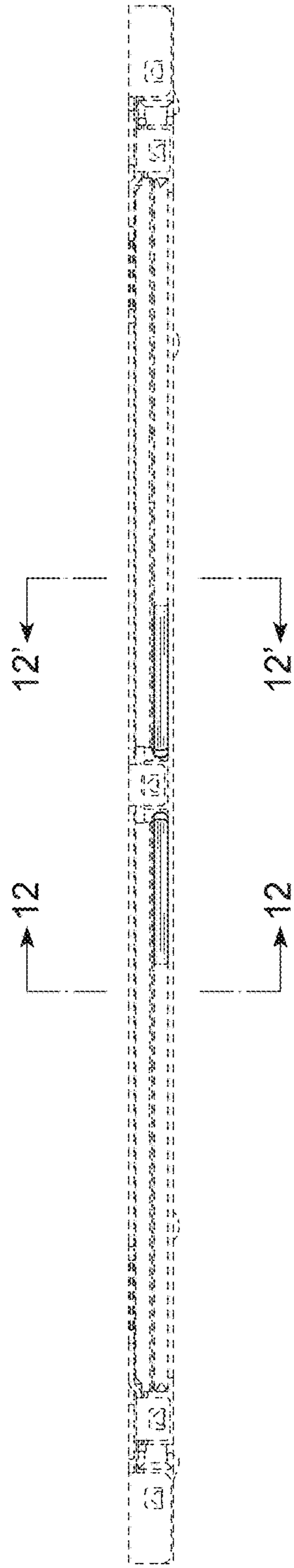


FIG. 2

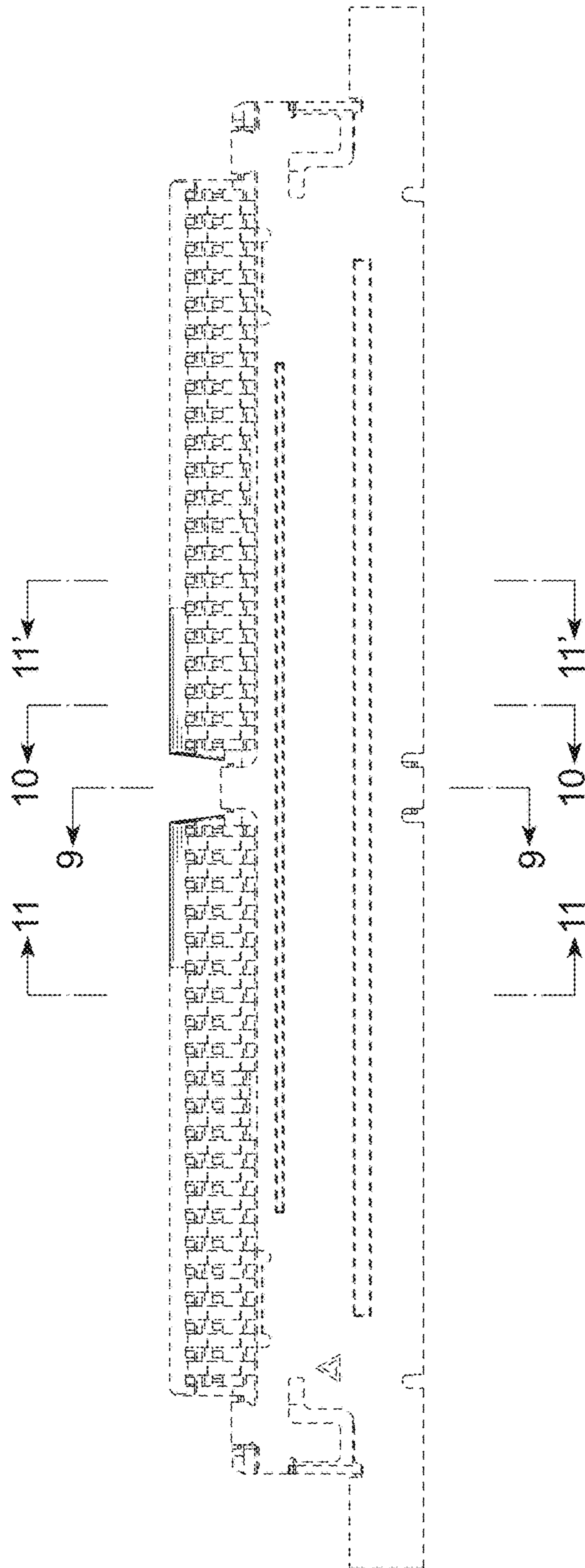


FIG. 3

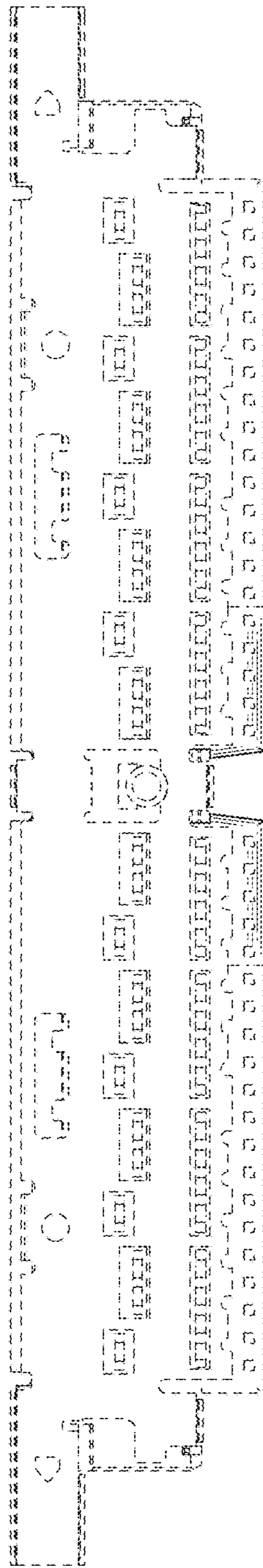


FIG. 4

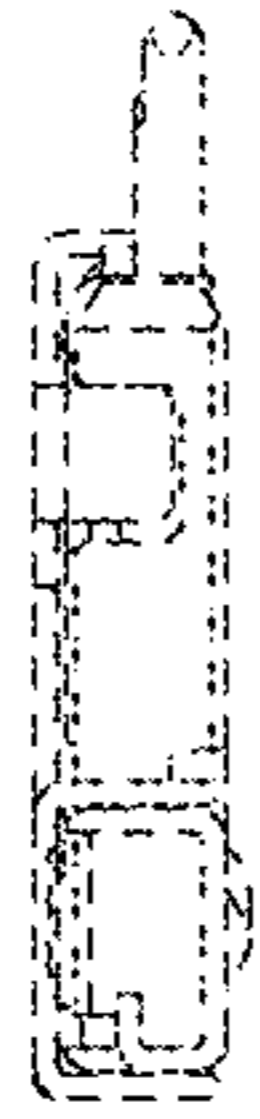


FIG. 5

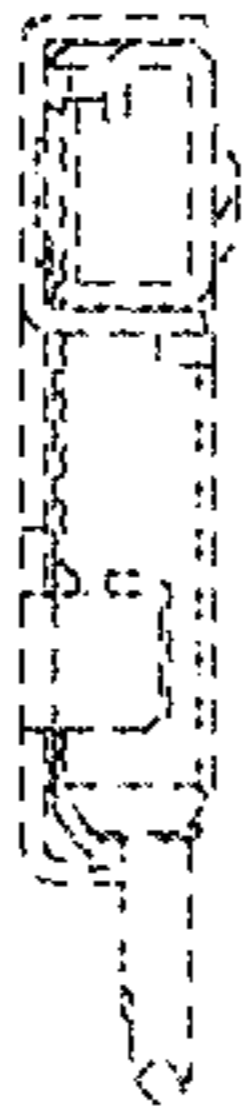


FIG. 6

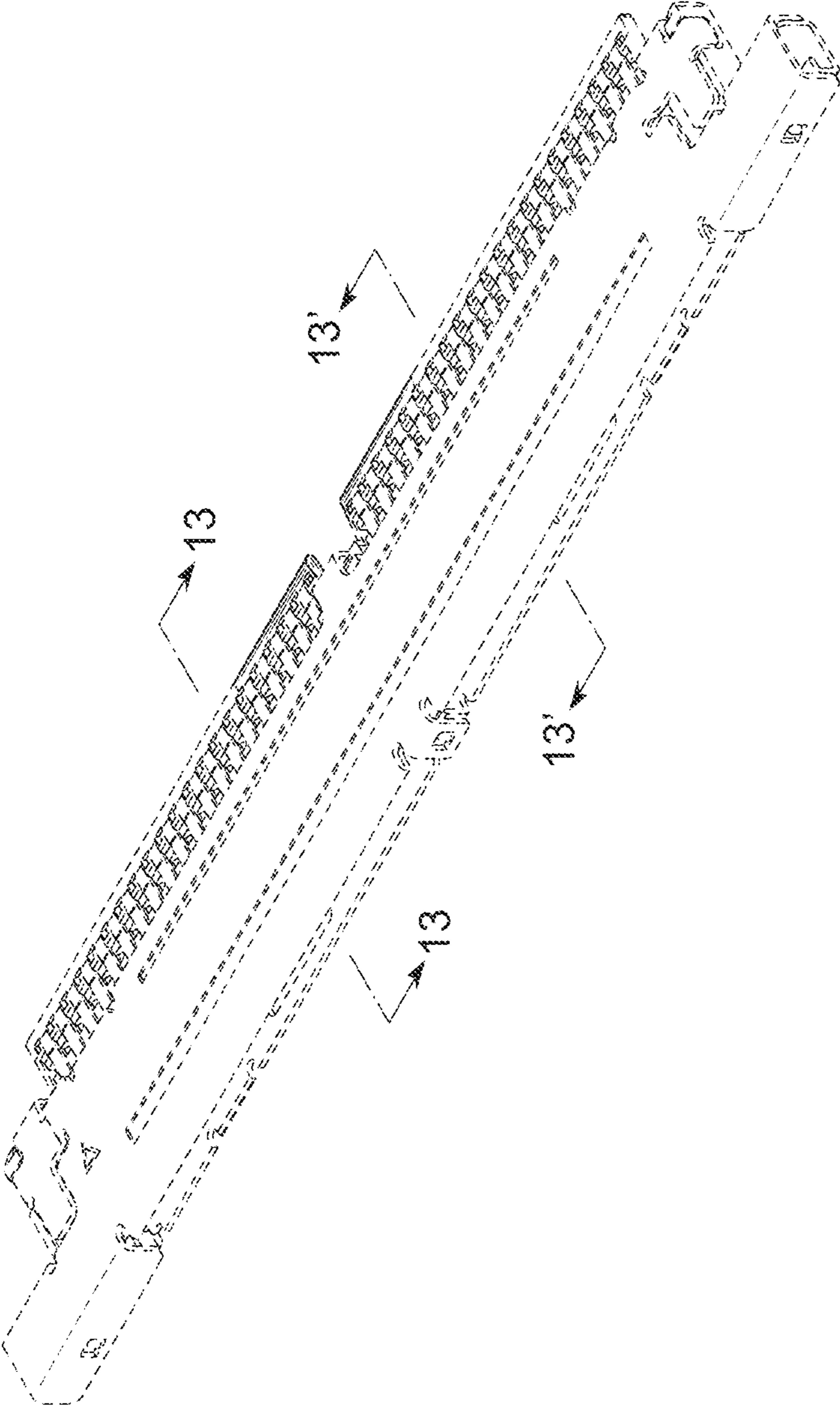
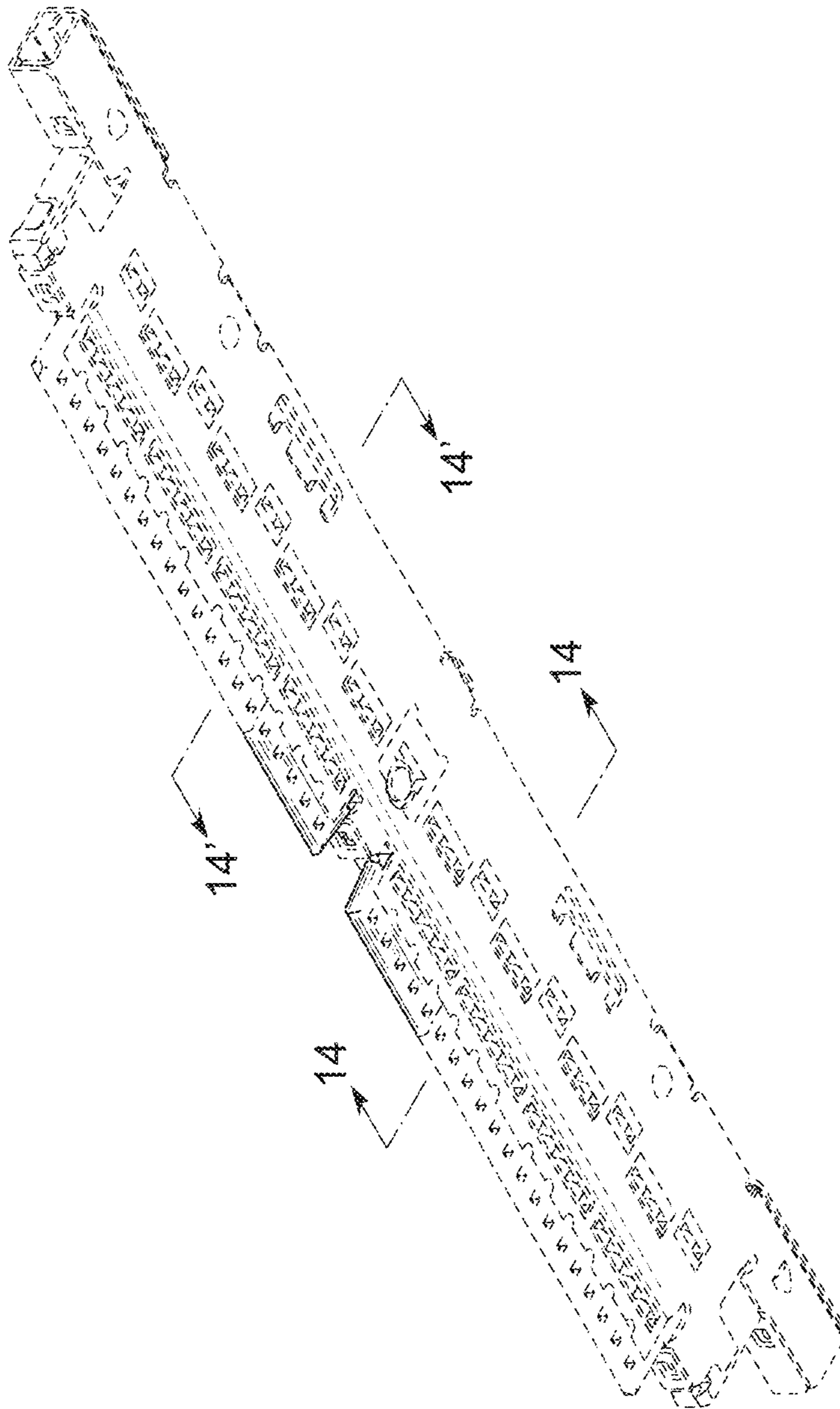


FIG. 7



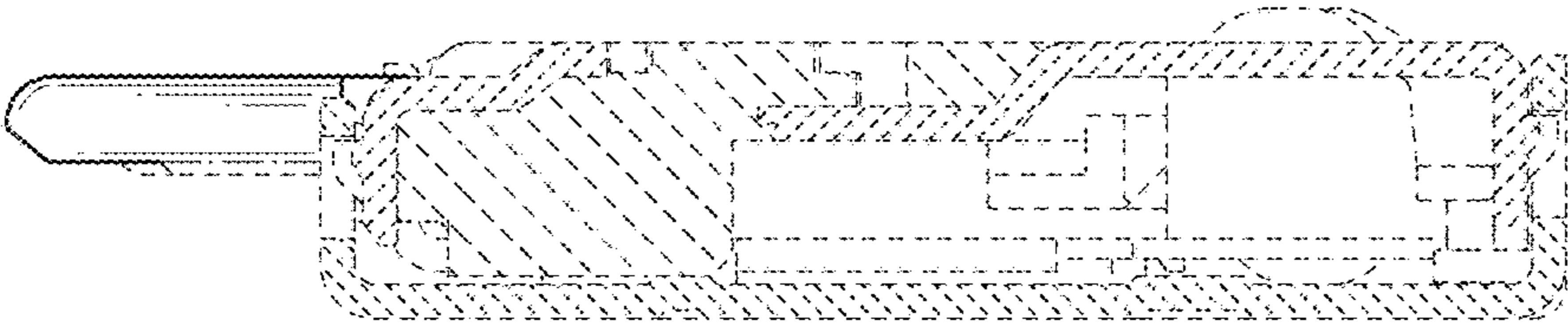


FIG. 9

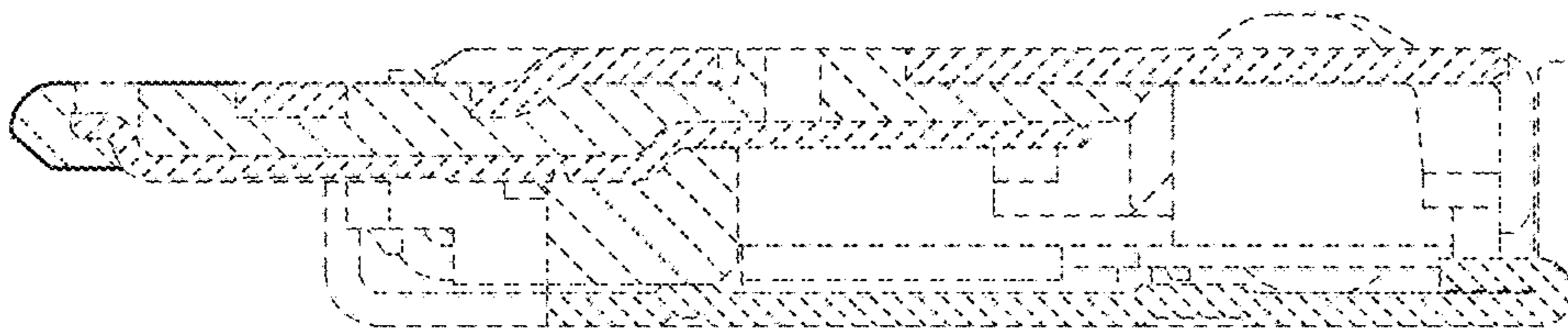


FIG. 10

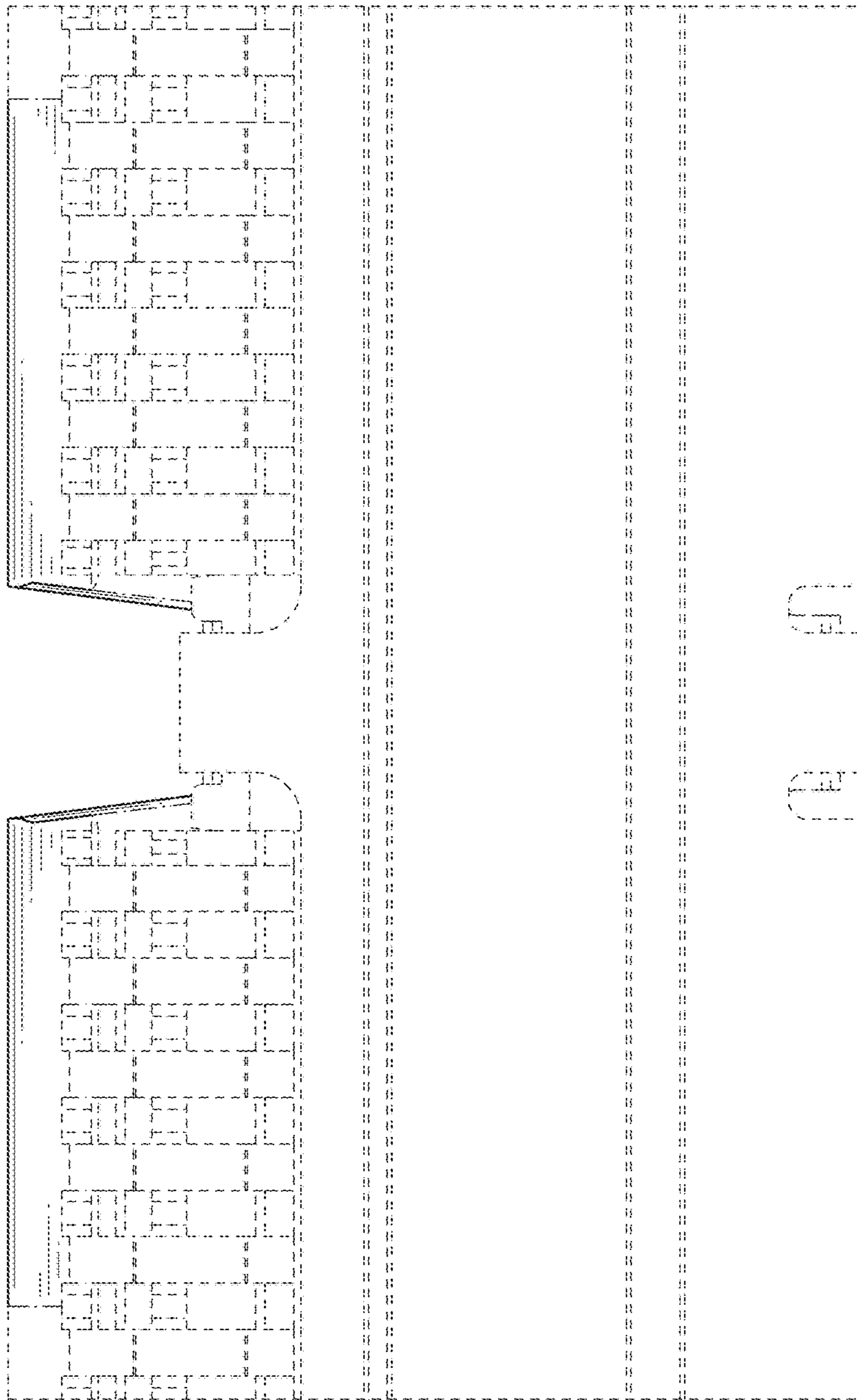


FIG. 11

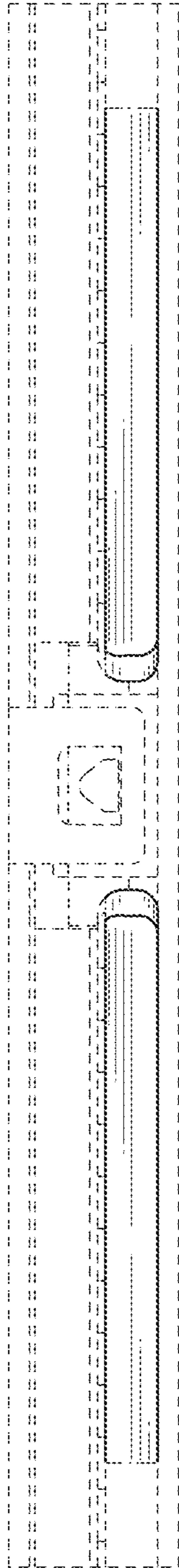


FIG. 12

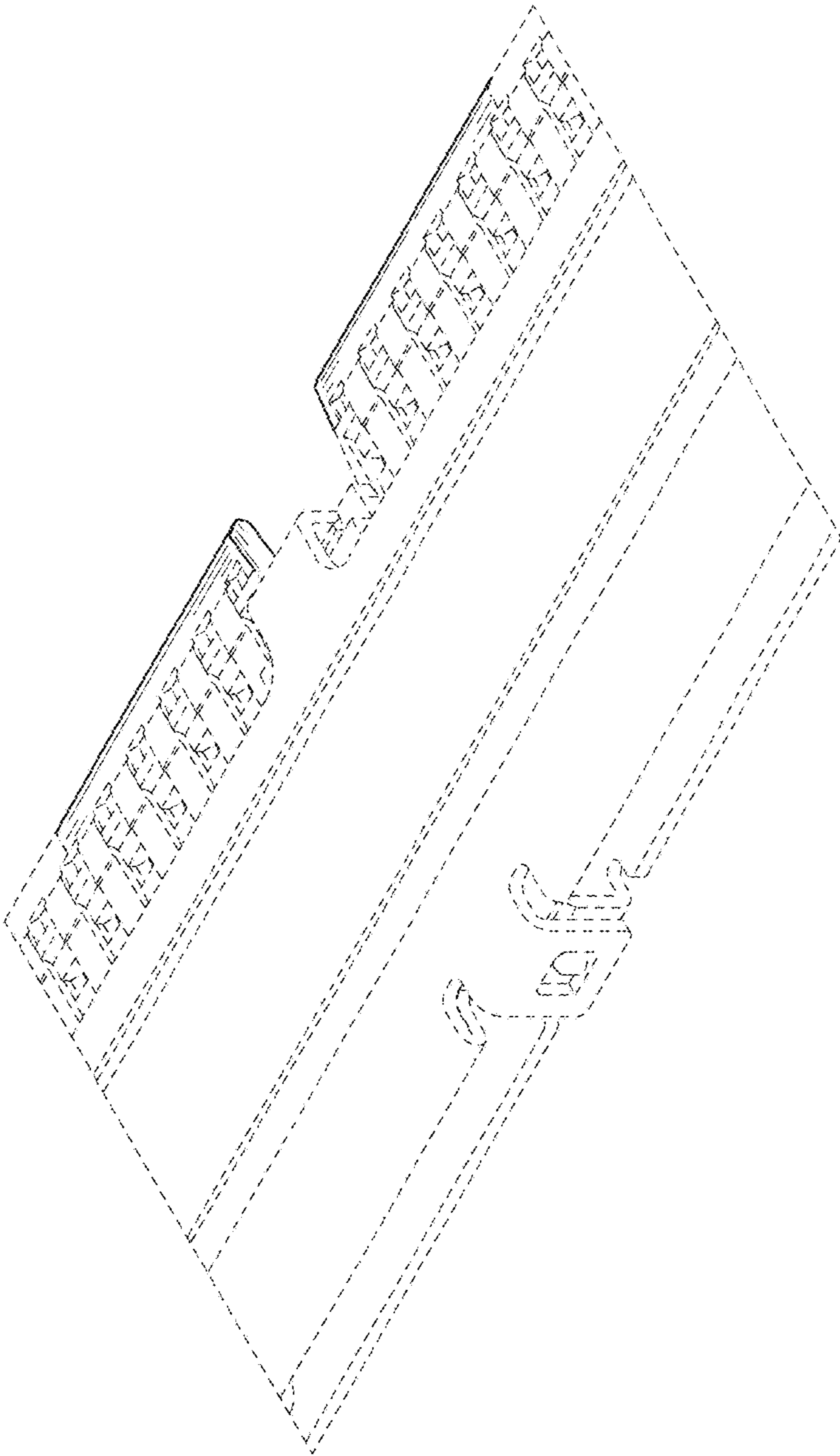


FIG. 13

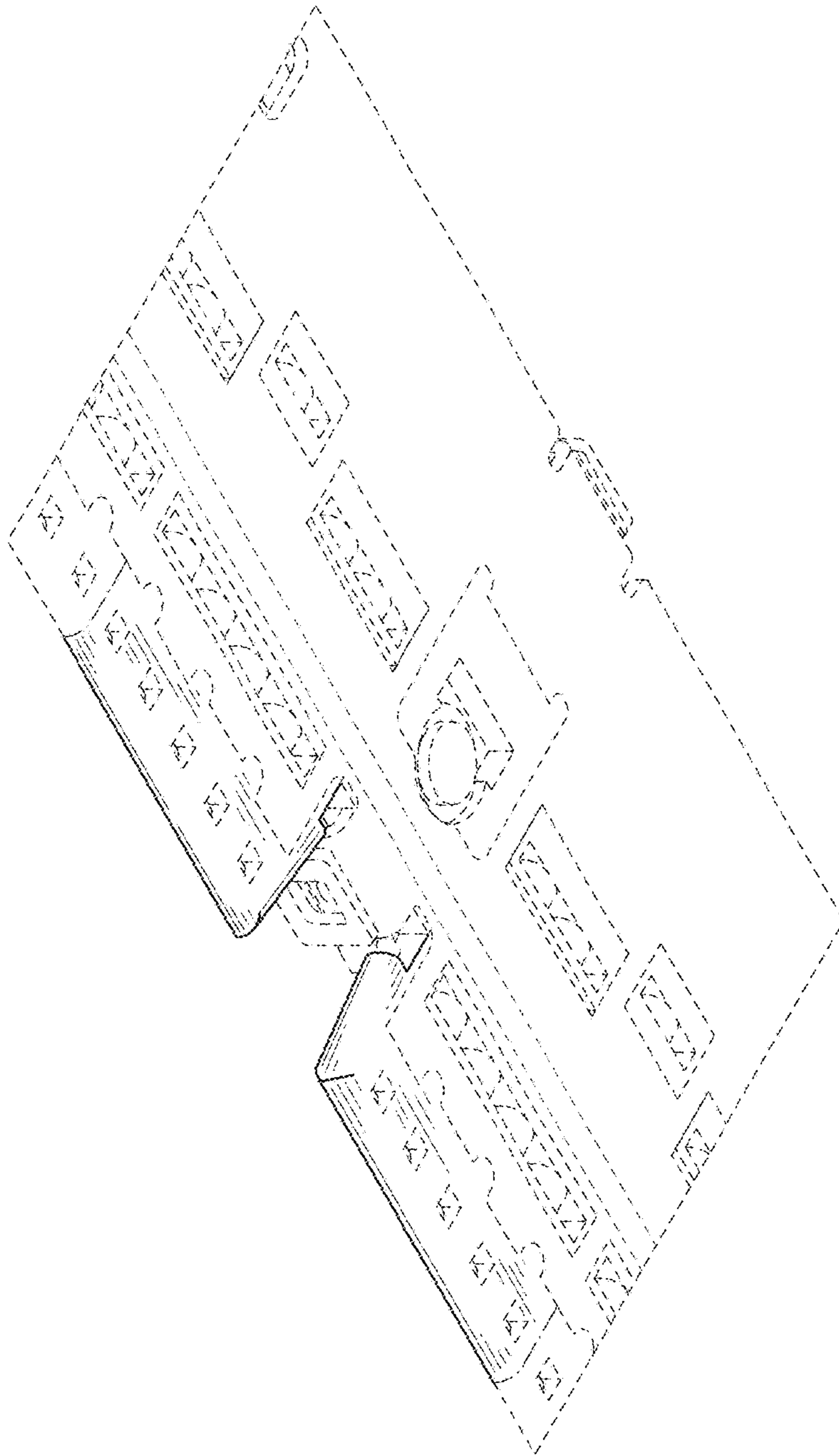


FIG. 14