



US00D840939S

(12) **United States Design Patent** (10) **Patent No.:** **US D840,939 S**  
**Chen** (45) **Date of Patent:** **\*\* Feb. 19, 2019**

(54) **RIGHT-ANGLE POWER CONNECTOR**

(56) **References Cited**

(71) Applicant: **OUPIIN ELECTRONIC (KUNSHAN) CO., LTD.**, Kunshan, Jiangsu province (CN)

(72) Inventor: **Hsin Chih Chen**, Kunshan (CN)

(73) Assignee: **OUPIIN ELECTRONIC (KUNSHAN) CO., LTD.**, Kunshan, Jiangsu Province (CN)

(\*\*) Term: **15 Years**

(21) Appl. No.: **29/592,782**

(22) Filed: **Feb. 2, 2017**

(30) **Foreign Application Priority Data**

Sep. 21, 2016 (CN) ..... 2016 3 0476471

(51) **LOC (11) Cl.** ..... **13-03**

(52) **U.S. Cl.**  
USPC ..... **D13/147**

(58) **Field of Classification Search**

USPC ..... D13/123, 133, 146, 147, 154, 184, 199

CPC ..... H01R 12/51; H01R 12/52; H01R 12/57;

H01R 12/592; H01R 12/61; H01R 12/63;

H01R 12/7005; H01R 12/716; H01R

12/72; H01R 12/732; H01R 12/777;

H01R 12/79; H01R 12/87; H01R 12/89;

H01R 13/213; H01R 13/2464; H01R

13/2492; H01R 13/26; H01R 13/28;

H01R 13/428; H01R 13/434; H01R

13/4362; H01R 13/4534; H01R 13/506;

H01R 13/508; H01R 13/5804; H01R

13/5816; H01R 13/585; H01R 13/6271;

H01R 13/635

See application file for complete search history.

U.S. PATENT DOCUMENTS

D543,506 S \* 5/2007 Peng ..... D13/147

D543,507 S \* 5/2007 Peng ..... D13/147

D580,359 S \* 11/2008 Su ..... D13/147

D626,077 S \* 10/2010 Huang ..... D13/147

D680,497 S \* 4/2013 Lan ..... D13/147

D709,033 S \* 7/2014 Shiratori ..... D13/147

FOREIGN PATENT DOCUMENTS

TW 150410 11/2012

\* cited by examiner

*Primary Examiner* — Daniel D Bui

(74) *Attorney, Agent, or Firm* — Muncy, Geissler, Olds & Lowe, P.C.

(57) **CLAIM**

The ornamental design for a right-angle power connector, as shown and described.

**DESCRIPTION**

FIG. 1 is a front, top, and left side perspective view of a right-angle power connector showing my new design;

FIG. 2 is a front elevational view thereof;

FIG. 3 is a back elevational view thereof;

FIG. 4 is a left side elevational view thereof;

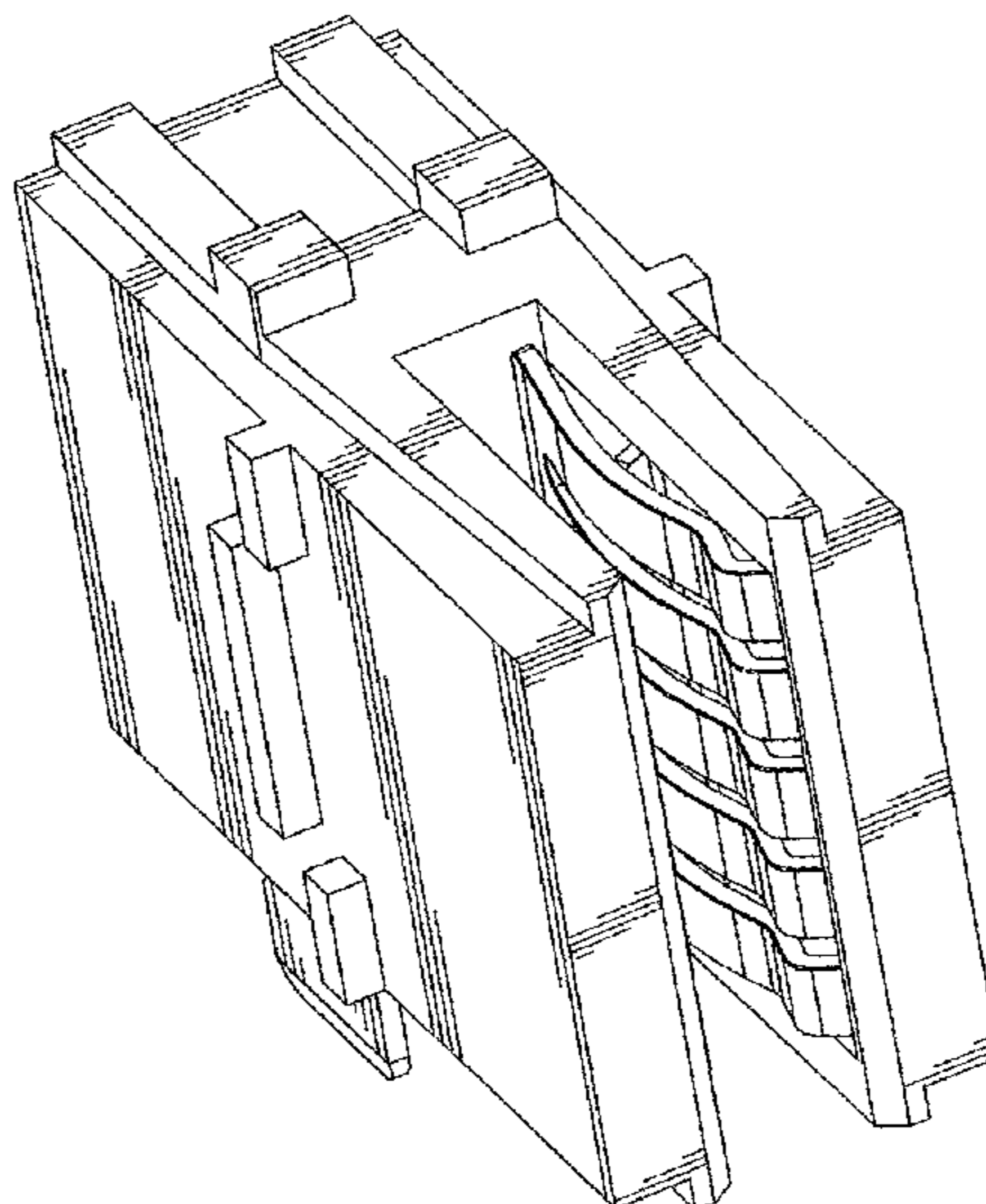
FIG. 5 is a right side elevational view thereof;

FIG. 6 is a top plan view thereof; and,

FIG. 7 is a bottom plan view thereof.

The broken lines in FIGS. 3 and 7 represent unclaimed environment only, and form no part of the claimed design.

**1 Claim, 7 Drawing Sheets**



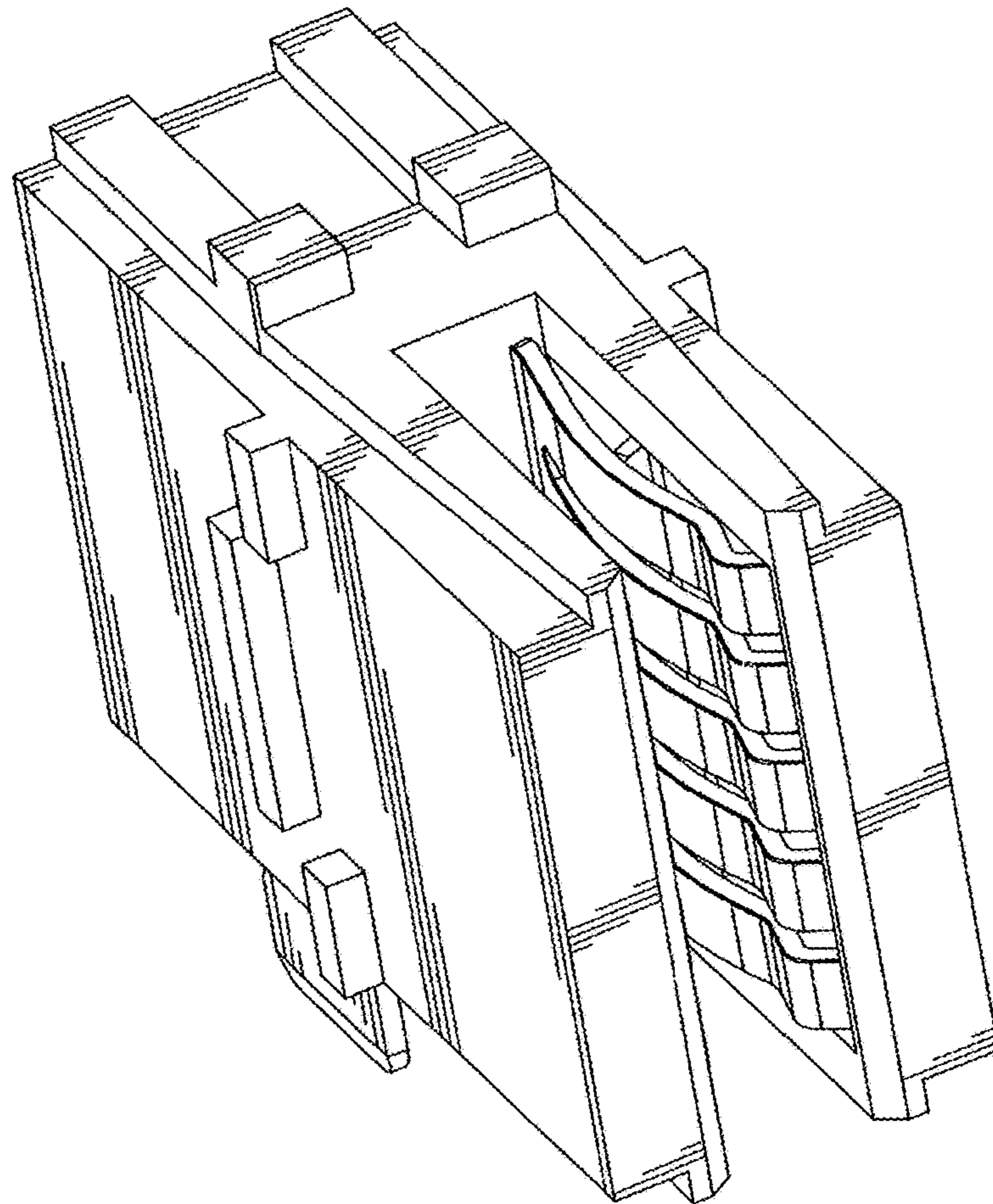


FIG. 1

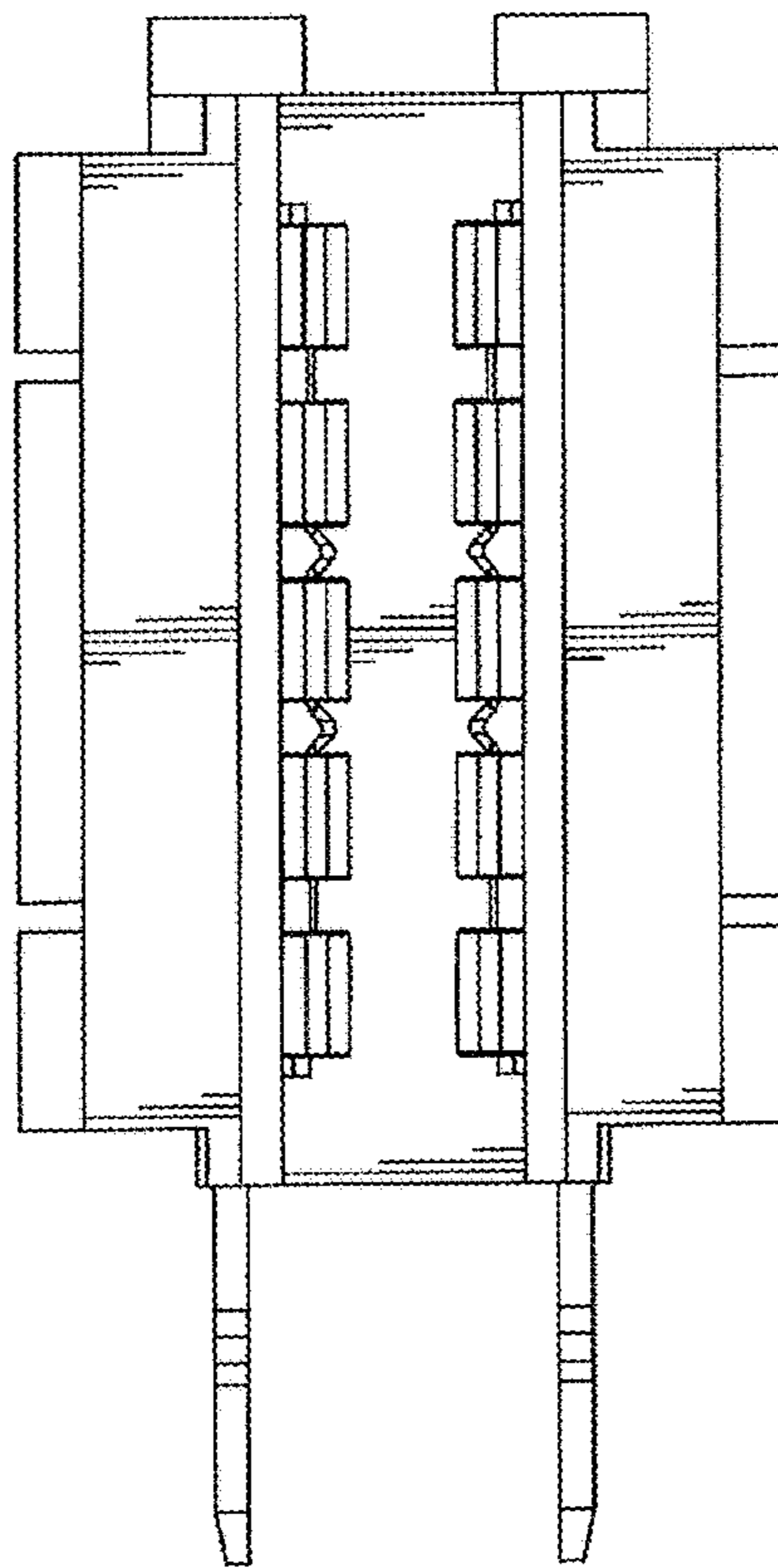


FIG. 2

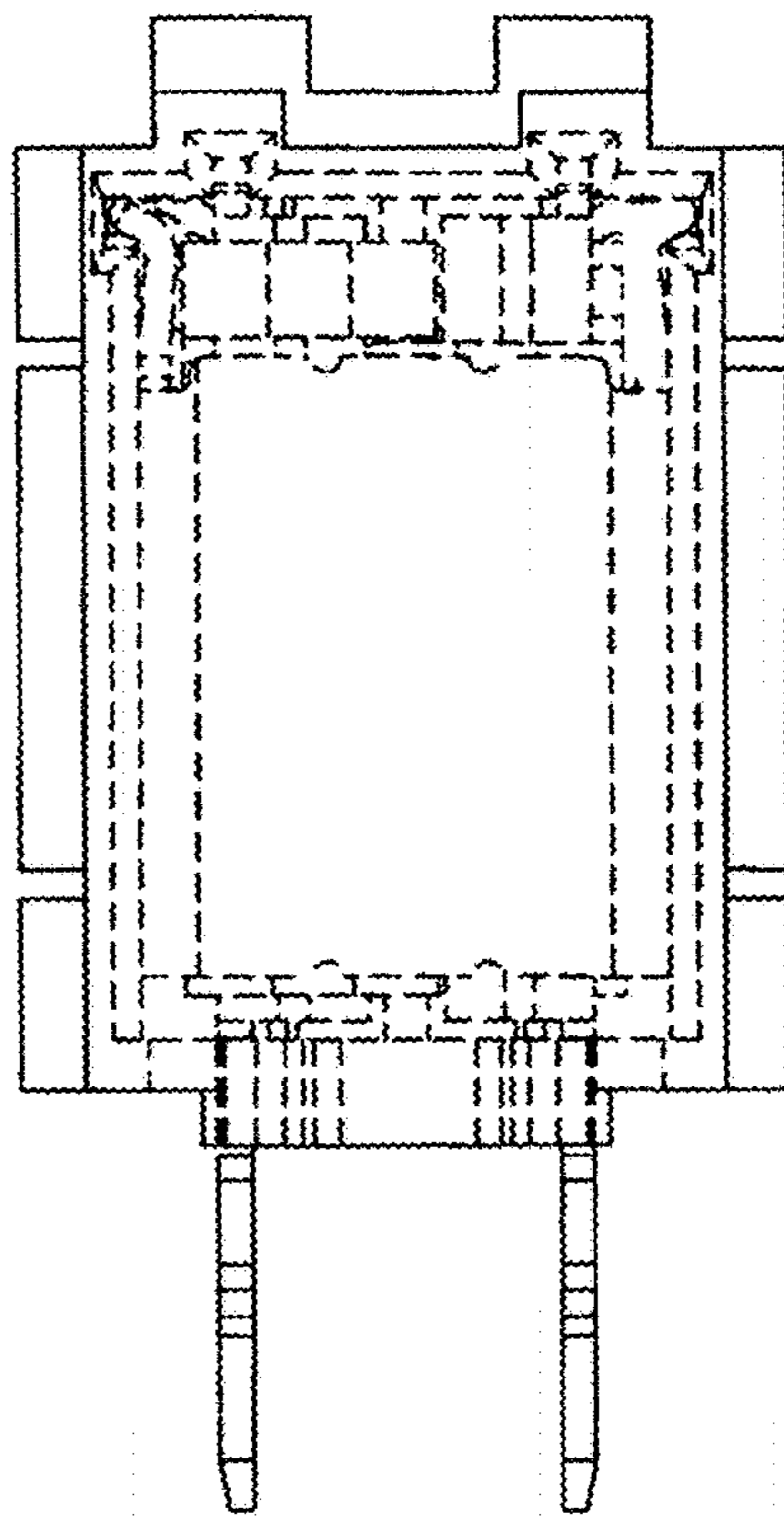


FIG. 3

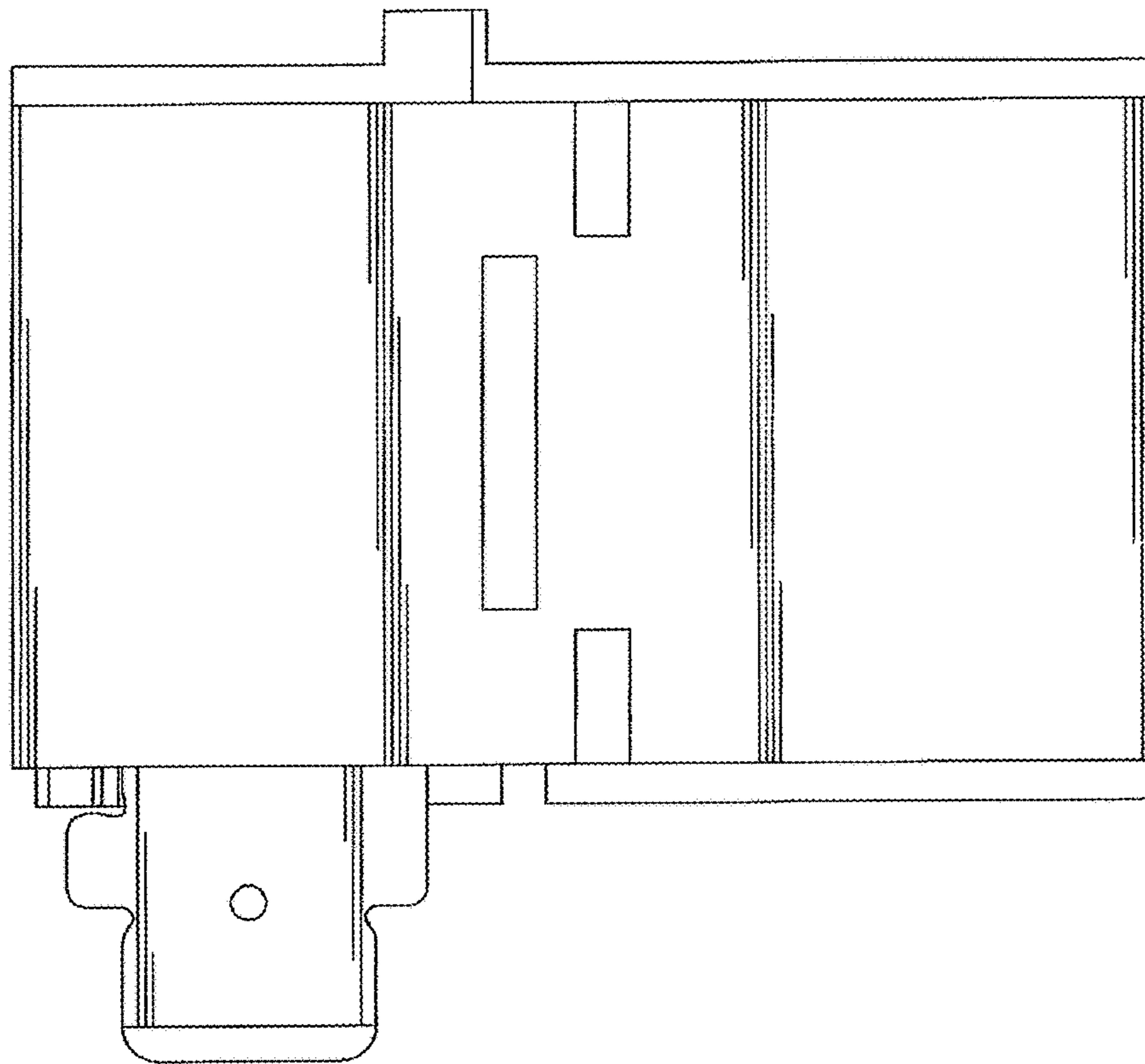


FIG. 4

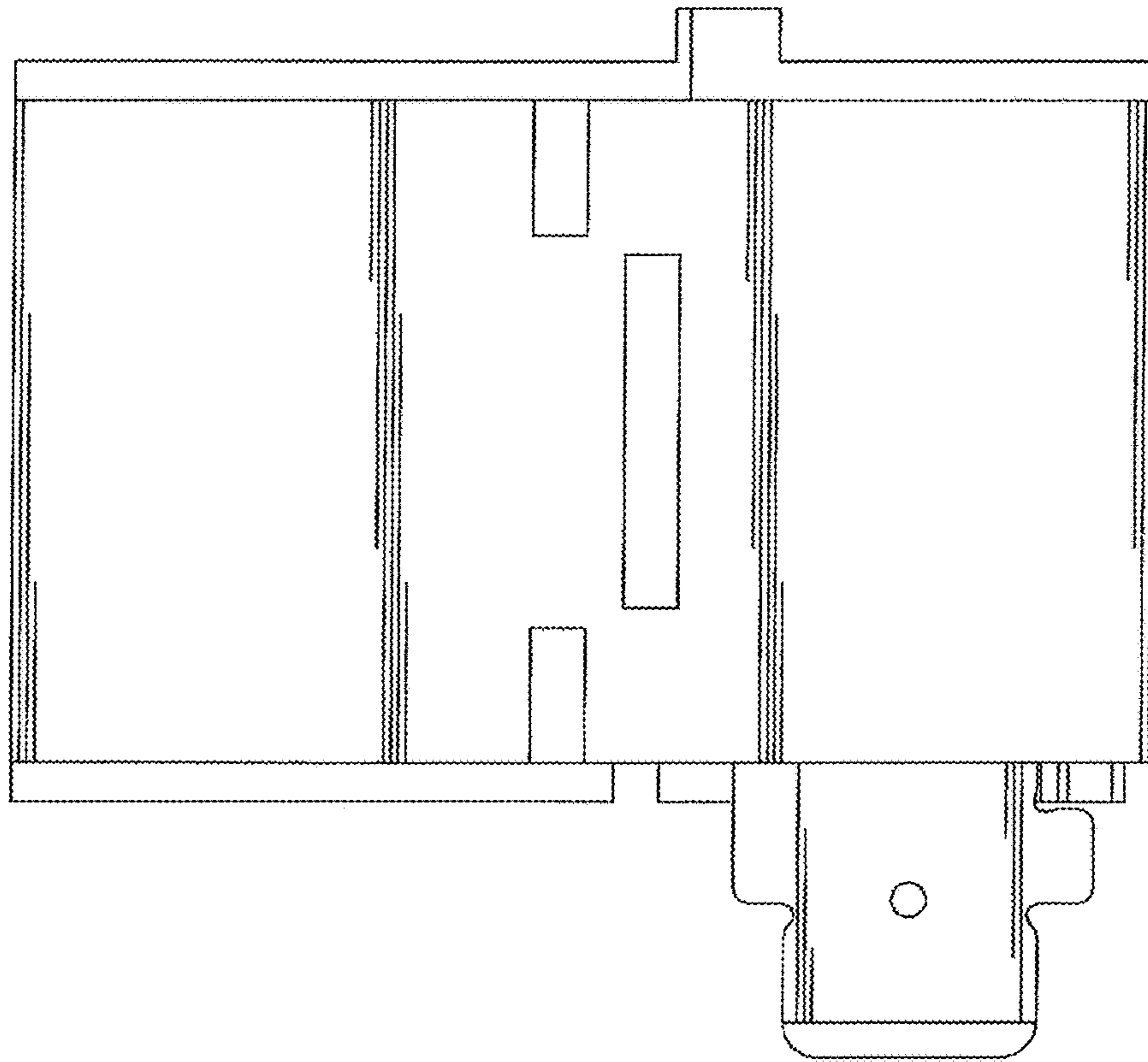


FIG. 5

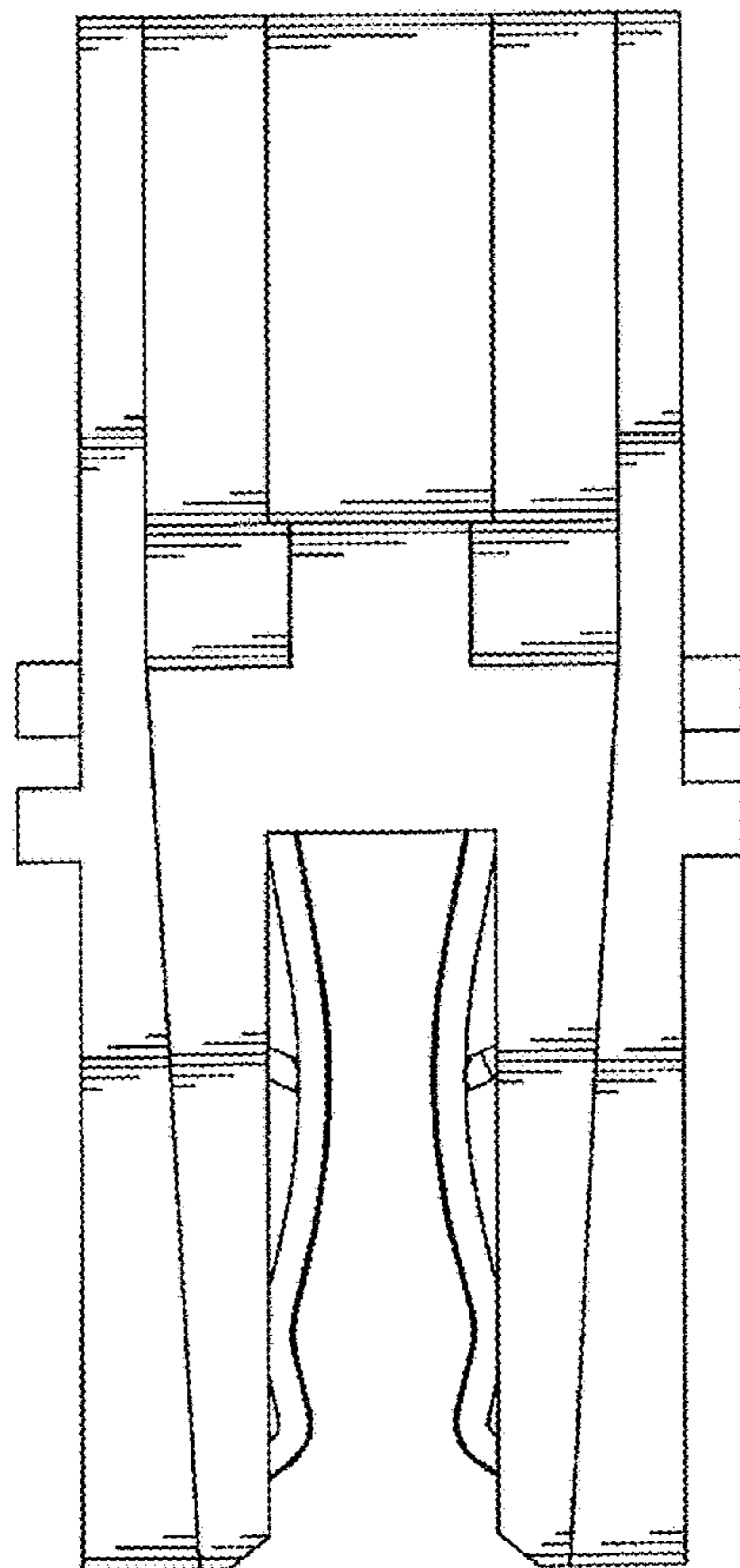


FIG. 6

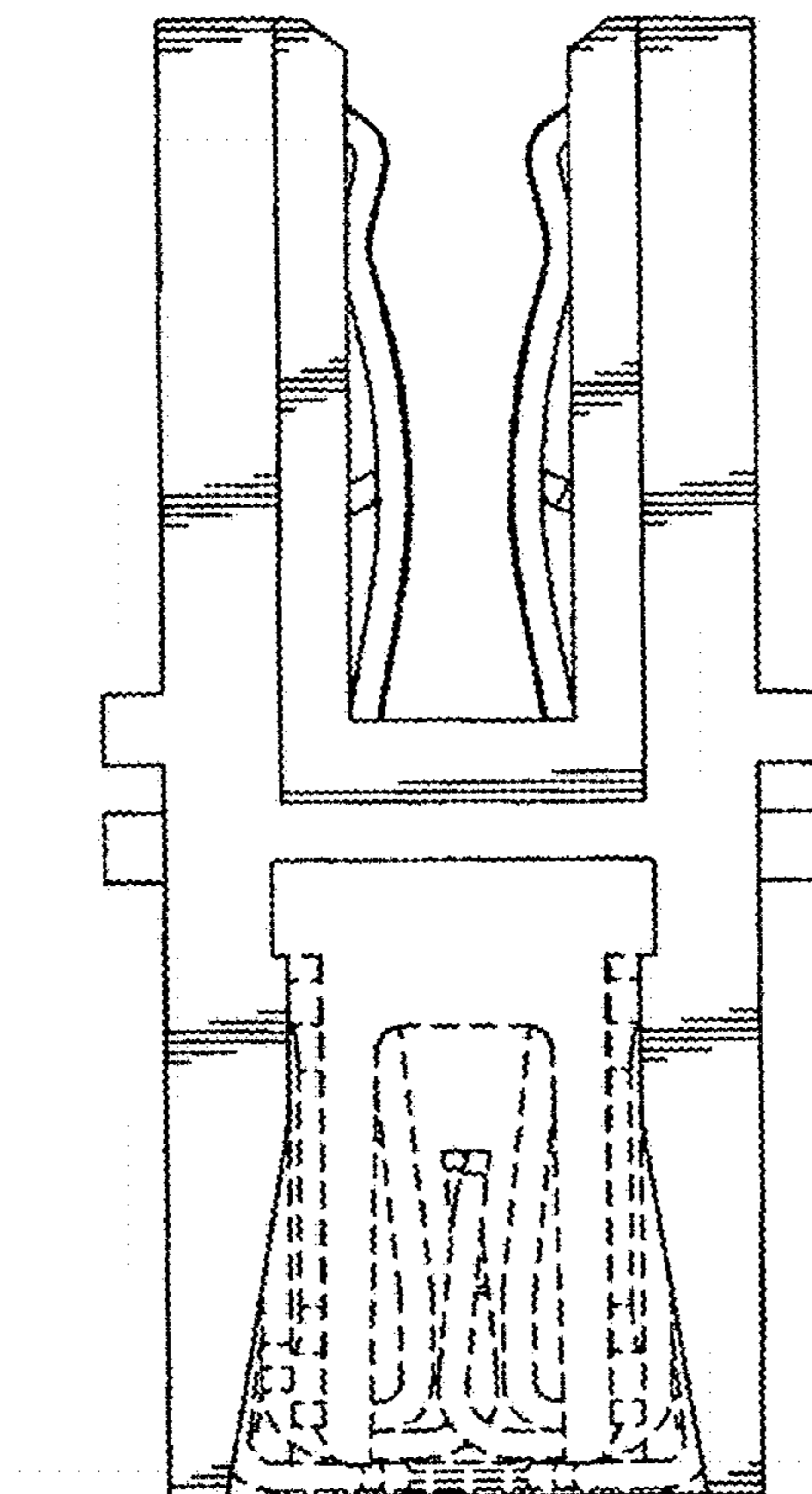


FIG. 7