



US00D840938S

(12) **United States Design Patent**
Hsu

(10) **Patent No.:** **US D840,938 S**
(45) **Date of Patent:** **** Feb. 19, 2019**

(54) **ELECTRICAL CONNECTOR HOUSING**

(71) Applicant: **Samtec, Inc.**, New Albany, IN (US)

(72) Inventor: **Agen Hsu**, Taipei (TW)

(73) Assignee: **SAMTEC, INC.**, New Albany, IN (US)

(**) Term: **15 Years**

(21) Appl. No.: **29/556,901**

(22) Filed: **Mar. 4, 2016**

(51) **LOC (11) Cl.** **13-03**

(52) **U.S. Cl.**

USPC **D13/147**; D13/149

(58) **Field of Classification Search**

USPC D13/110, 118-121, 123, 133, 146-149,
D13/154, 173, 184, 199

CPC H01R 3/00; H01R 11/00; H01R 11/01;
H01R 11/20; H01R 13/00; H01R 13/44;
H01R 13/46; H01R 13/58; H01R 13/60;
H01R 13/61; H01R 13/62; H01R 13/63;
H01R 13/71; H01R 13/72; H01R 25/00;
H01R 27/00; H01R 27/02; H01R 29/00;
H01R 31/02; H01R 31/06; H01R 4/00;
H01R 4/02; H01R 4/60; H01R 12/51;
H01R 12/70; H01R 12/71; H01R 12/77;
H01R 13/11; H01R 13/17; H01R 13/24;
H01R 13/28; H01R 13/405; H01R
13/432; H01R 13/504; H01R 13/52;
H01R 13/6585; H01R 13/6586; H01R
13/66; H01R 24/00; H01R 24/28; H01R
24/60; H01R 43/02; H01R 43/16; H01R
43/24

See application file for complete search history.

(56) **References Cited**

U.S. PATENT DOCUMENTS

D384,334 S * 9/1997 Nelson D13/184
D434,384 S * 11/2000 Hwang D13/147

D435,245 S * 12/2000 Hwang D13/147
D463,371 S * 9/2002 Lee D13/147
D526,277 S * 8/2006 Wu D13/147
D531,960 S * 11/2006 Kondas D13/147
D559,786 S * 1/2008 Kudo D13/147
D560,169 S * 1/2008 Kudo D13/147
D564,453 S * 3/2008 Kudo D13/147
D704,648 S * 5/2014 Grant D13/147
D706,724 S * 6/2014 McCartin D13/147
D708,580 S * 7/2014 McCartin D13/147
D710,310 S * 8/2014 McCartin D13/147
D711,320 S * 8/2014 Yang D13/133
D810,033 S * 2/2018 Otsuka D13/173
D812,572 S * 3/2018 Fontaine D13/154

(Continued)

Primary Examiner — Angela J Lee

Assistant Examiner — Shawn T Gingrich

(74) *Attorney, Agent, or Firm* — Keating & Bennett, LLP

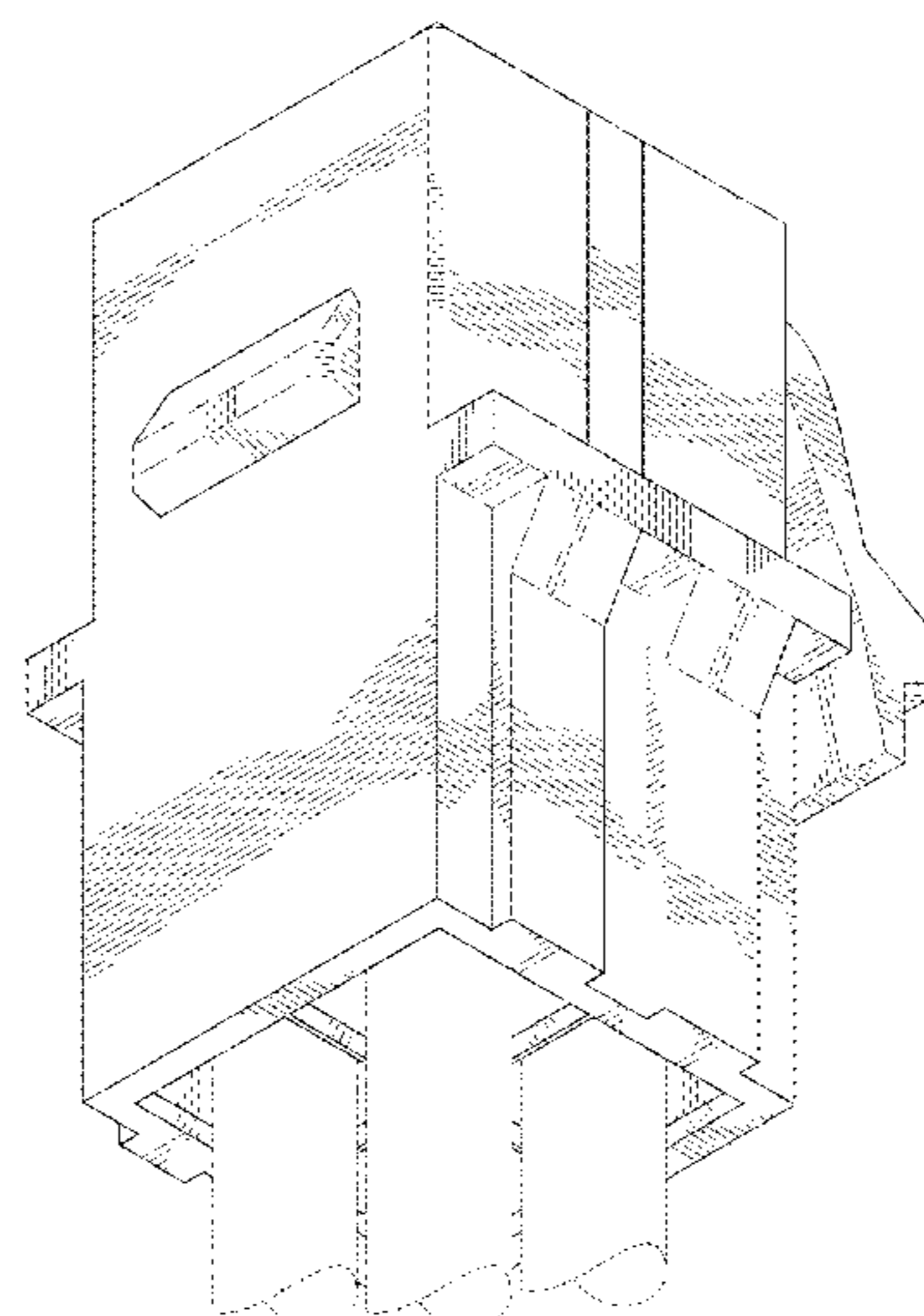
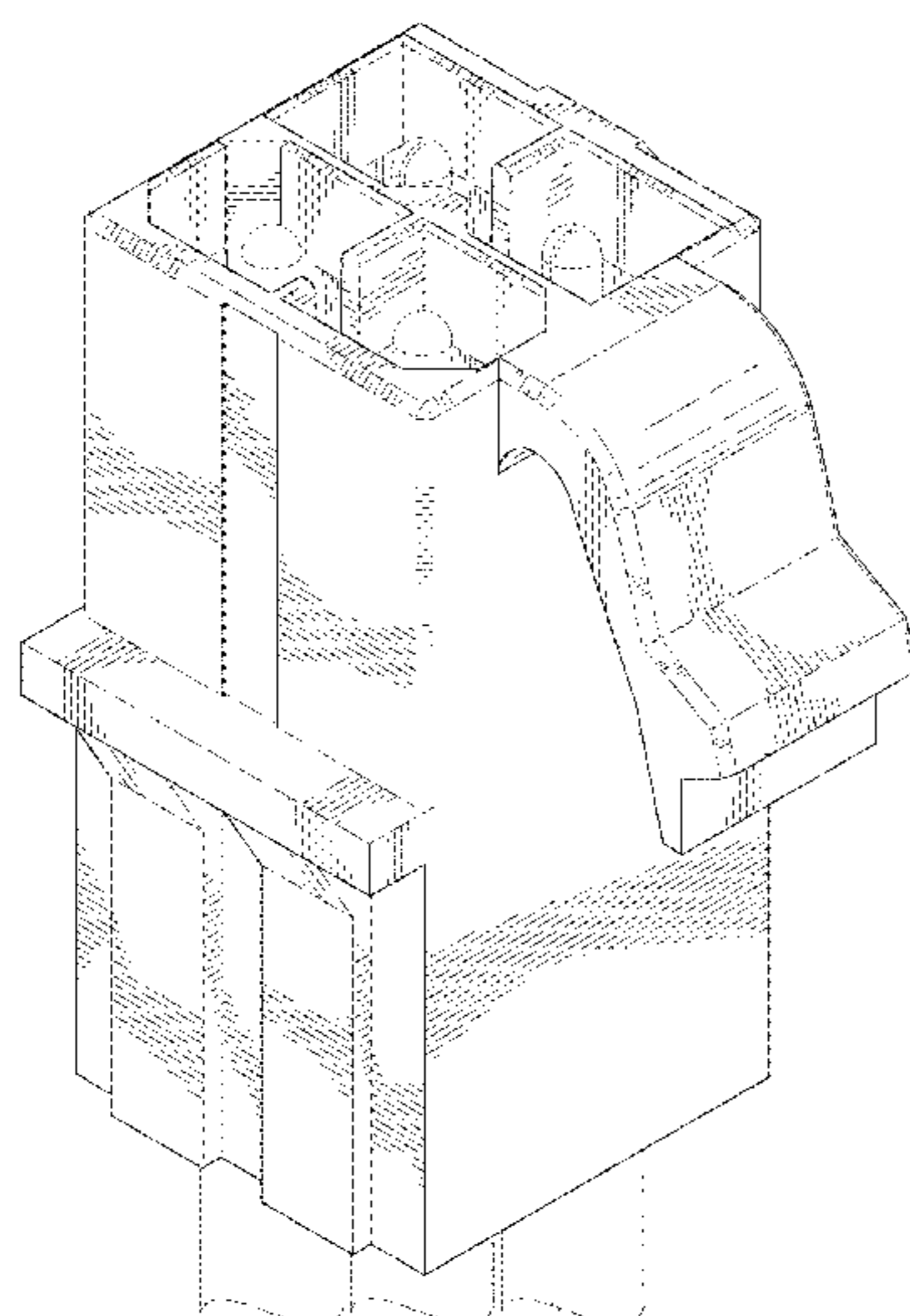
(57) **CLAIM**

The ornamental design for electrical connector housing, as shown and described.

DESCRIPTION

FIG. 1 is a top, front, and right side perspective view of an electrical connector housing showing my new design; FIG. 2 is a top, back, and left side perspective view thereof; FIG. 3 is a bottom, back, and right side perspective view thereof; FIG. 4 is a top perspective view thereof; FIG. 5 is a front view thereof; FIG. 6 is a back view thereof; FIG. 7 is a left side view thereof; FIG. 8 is a right side view thereof; FIG. 9 is a top view thereof; and, FIG. 10 is a bottom plan thereof. The broken lines in the drawings illustrate portions of the electrical connector housing that form no part of the claimed design.

1 Claim, 9 Drawing Sheets



(56)

References Cited

U.S. PATENT DOCUMENTS

2010/0297887 A1* 11/2010 Chen H01R 13/514
439/660
2012/0156918 A1* 6/2012 Tao H01R 13/6272
439/357
2014/0308841 A1* 10/2014 Zhu H01R 13/64
439/357

* cited by examiner

Fig. 1

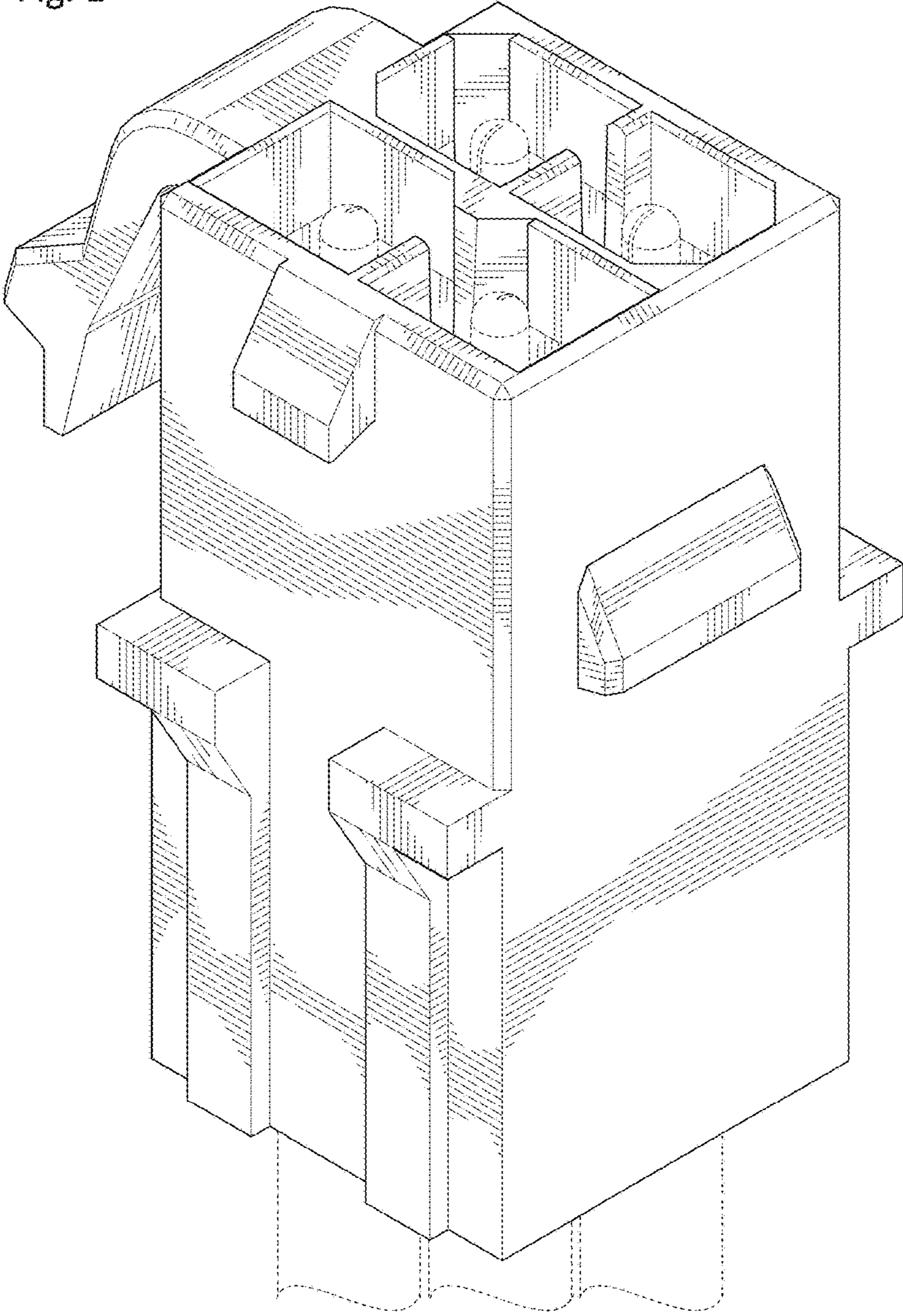


Fig. 2

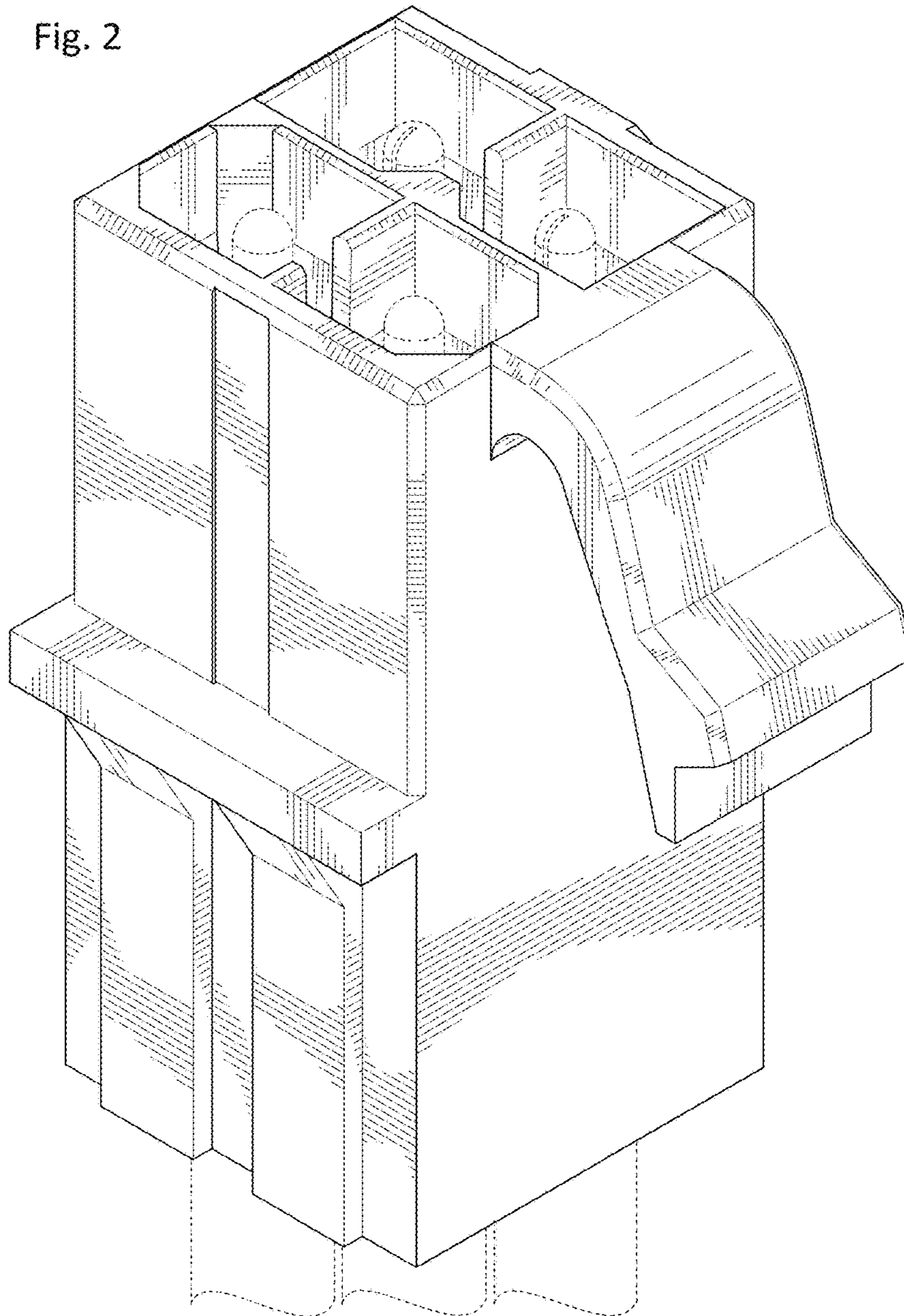


Fig. 3

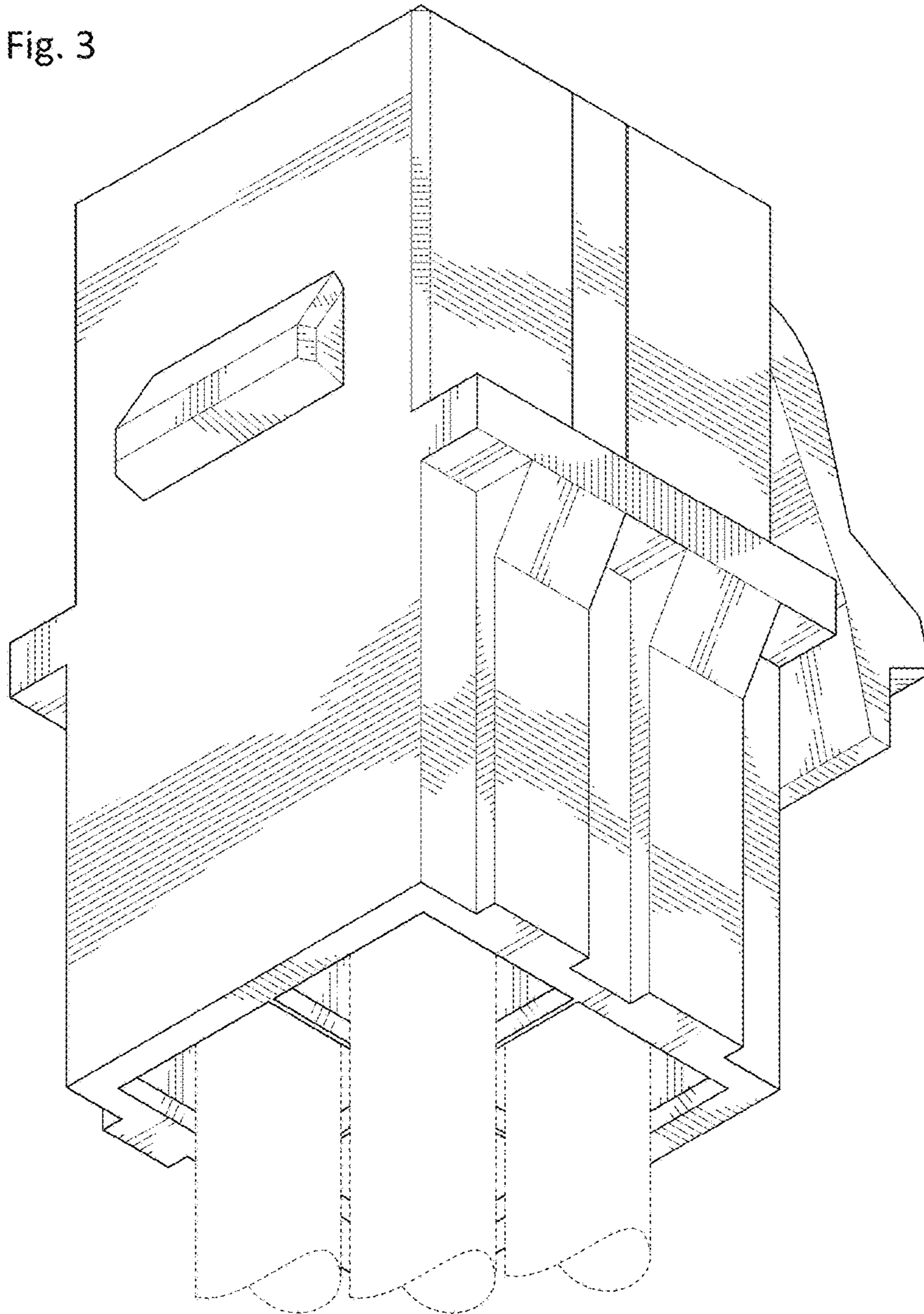


Fig. 4

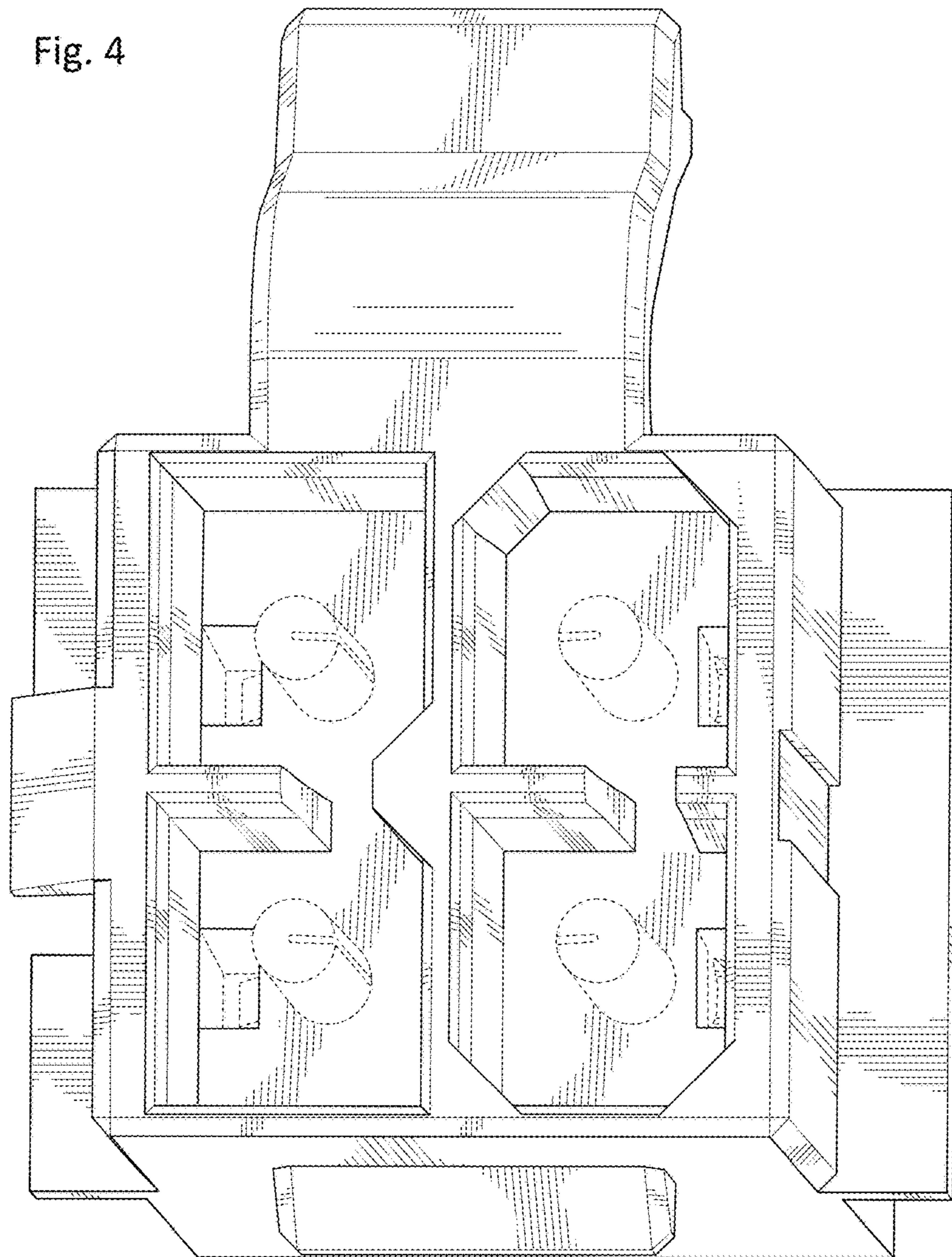


Fig. 5

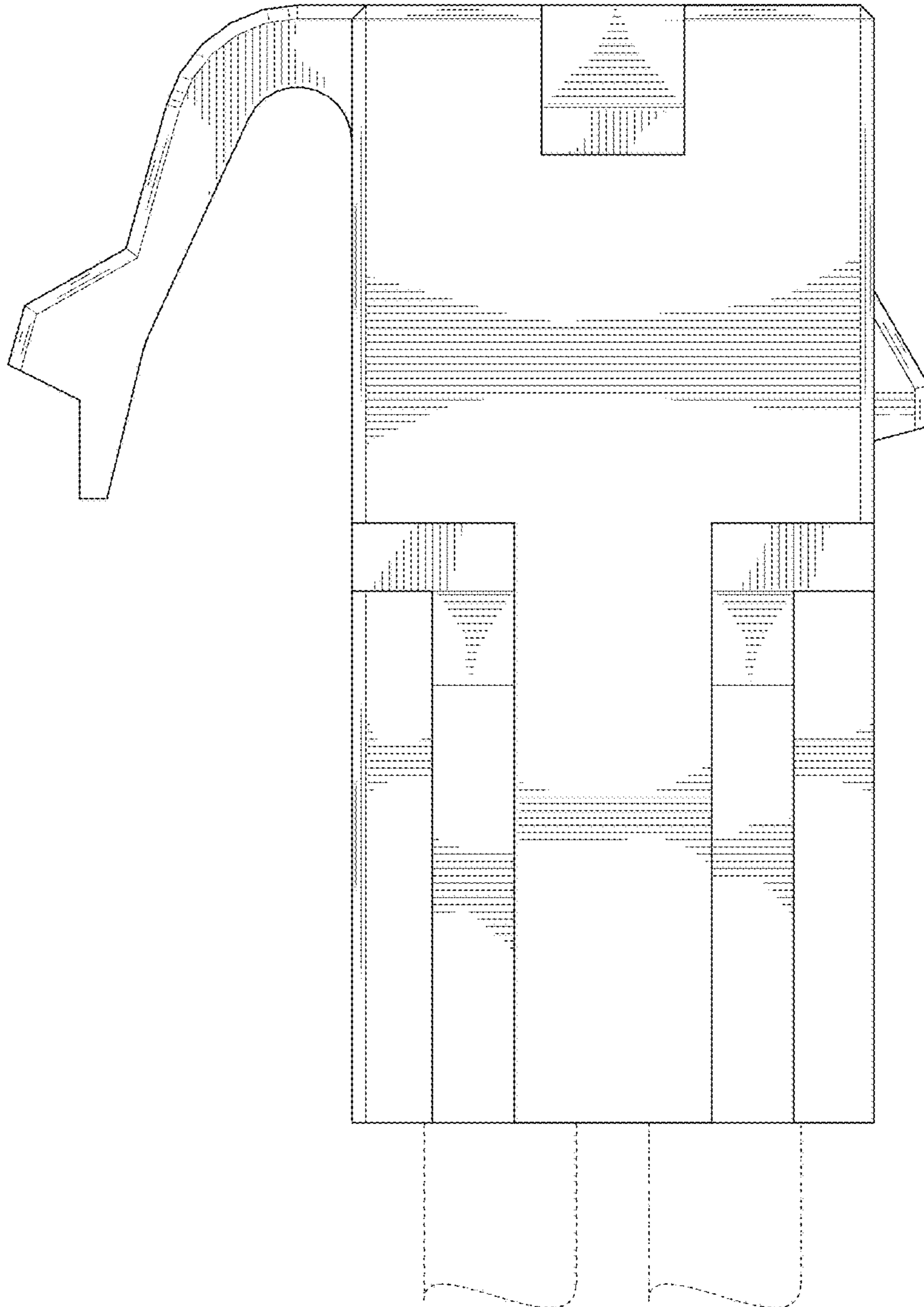


Fig. 6

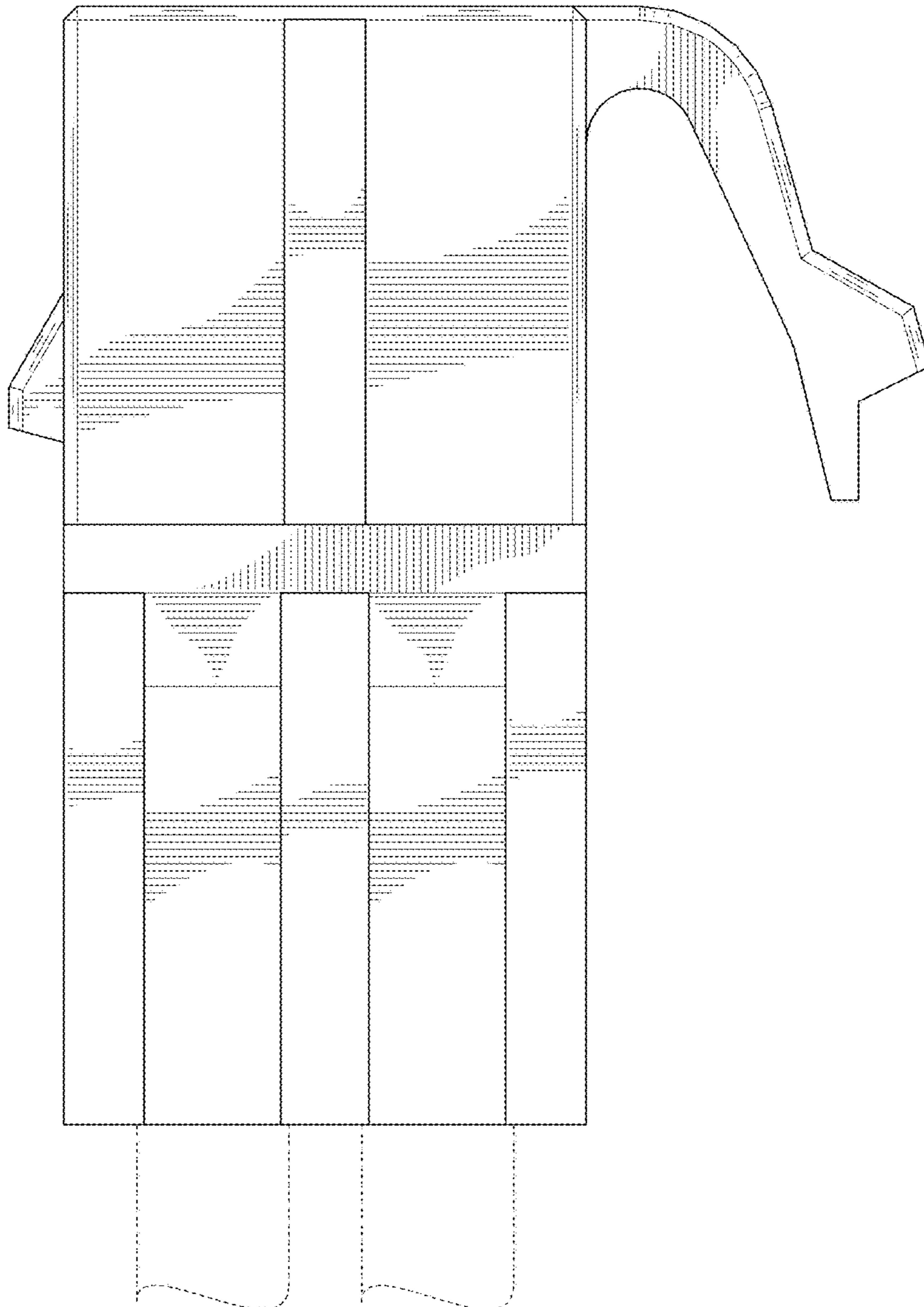


Fig. 7

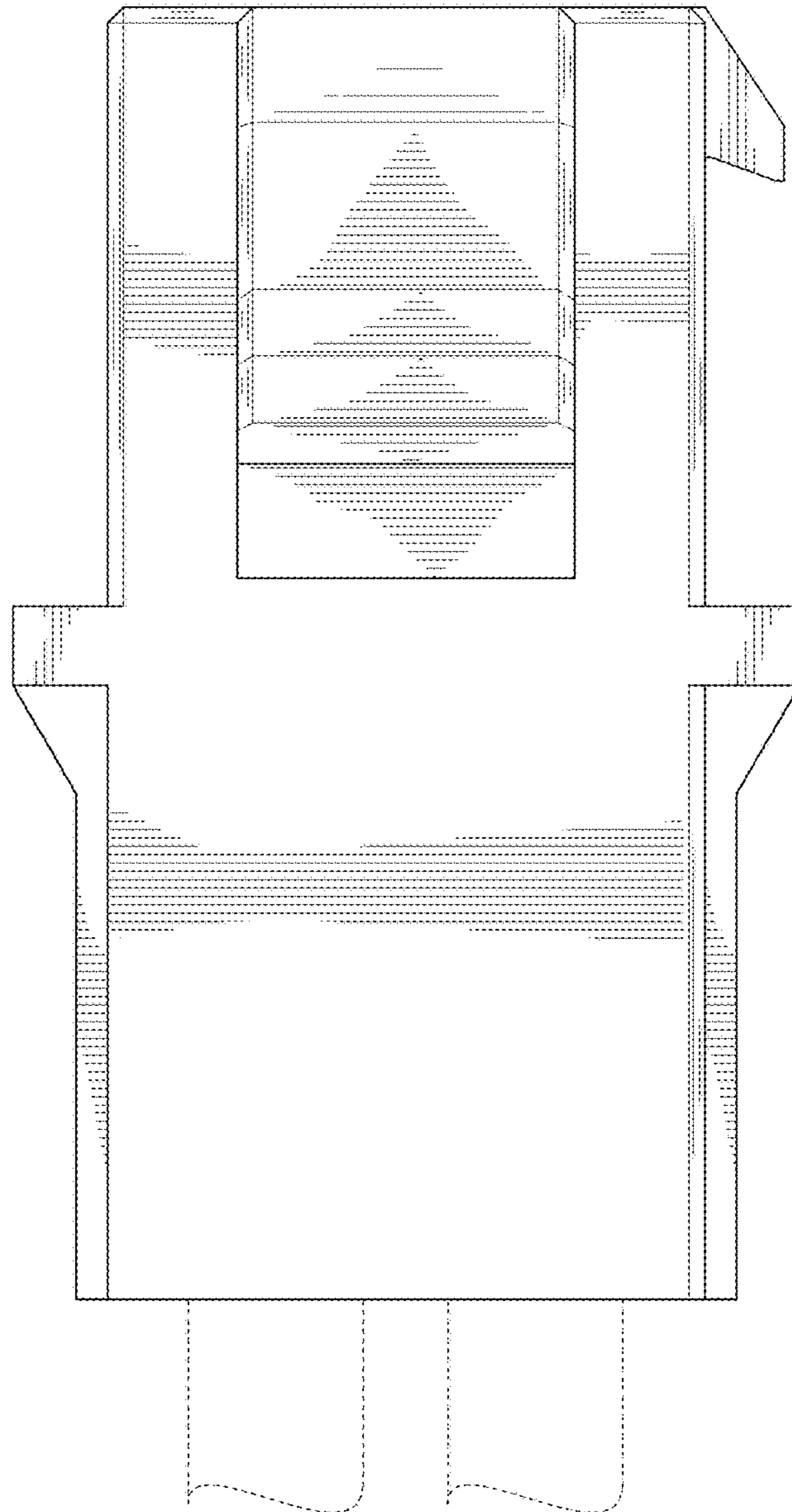


Fig. 8

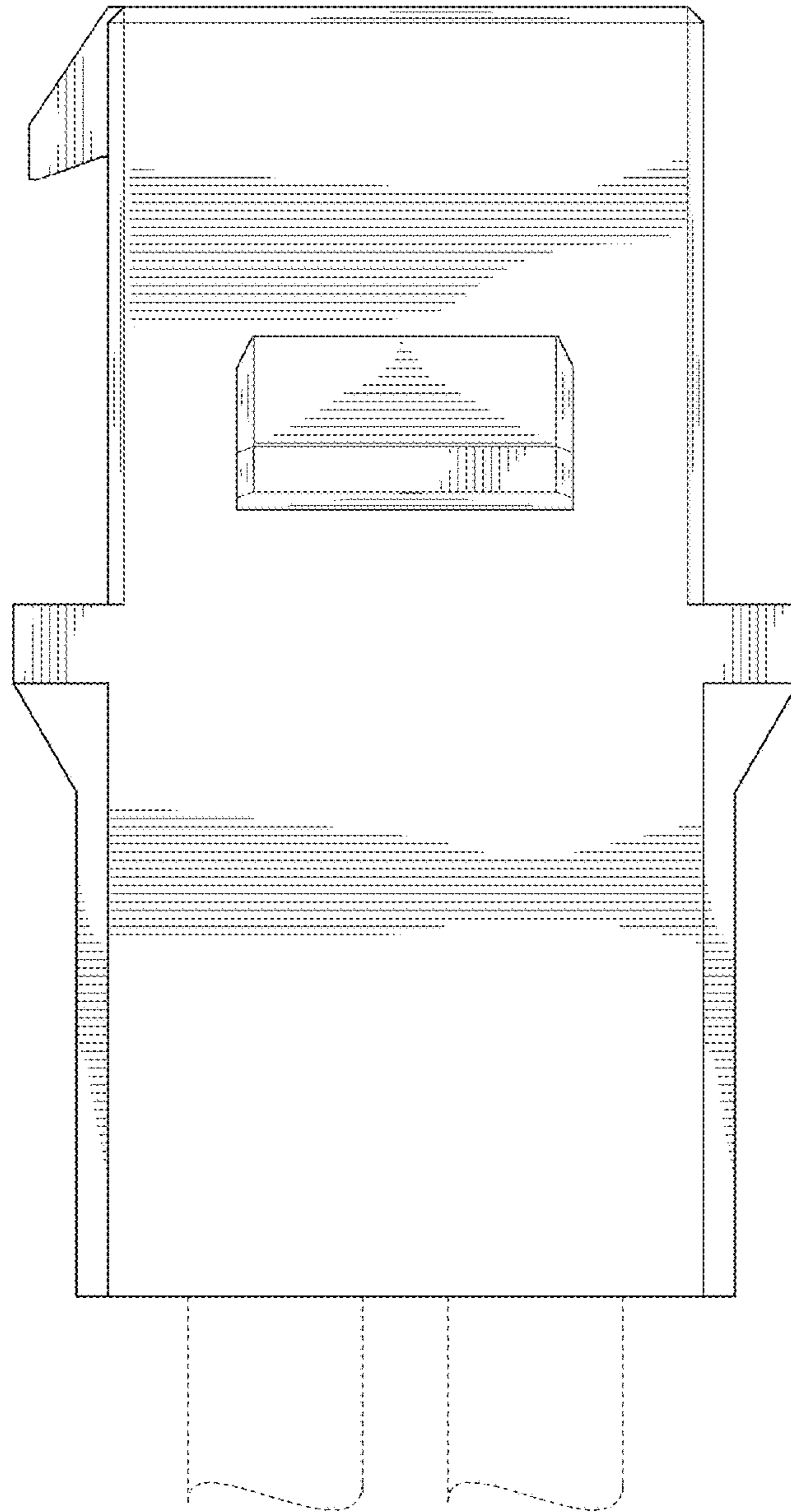


Fig. 9

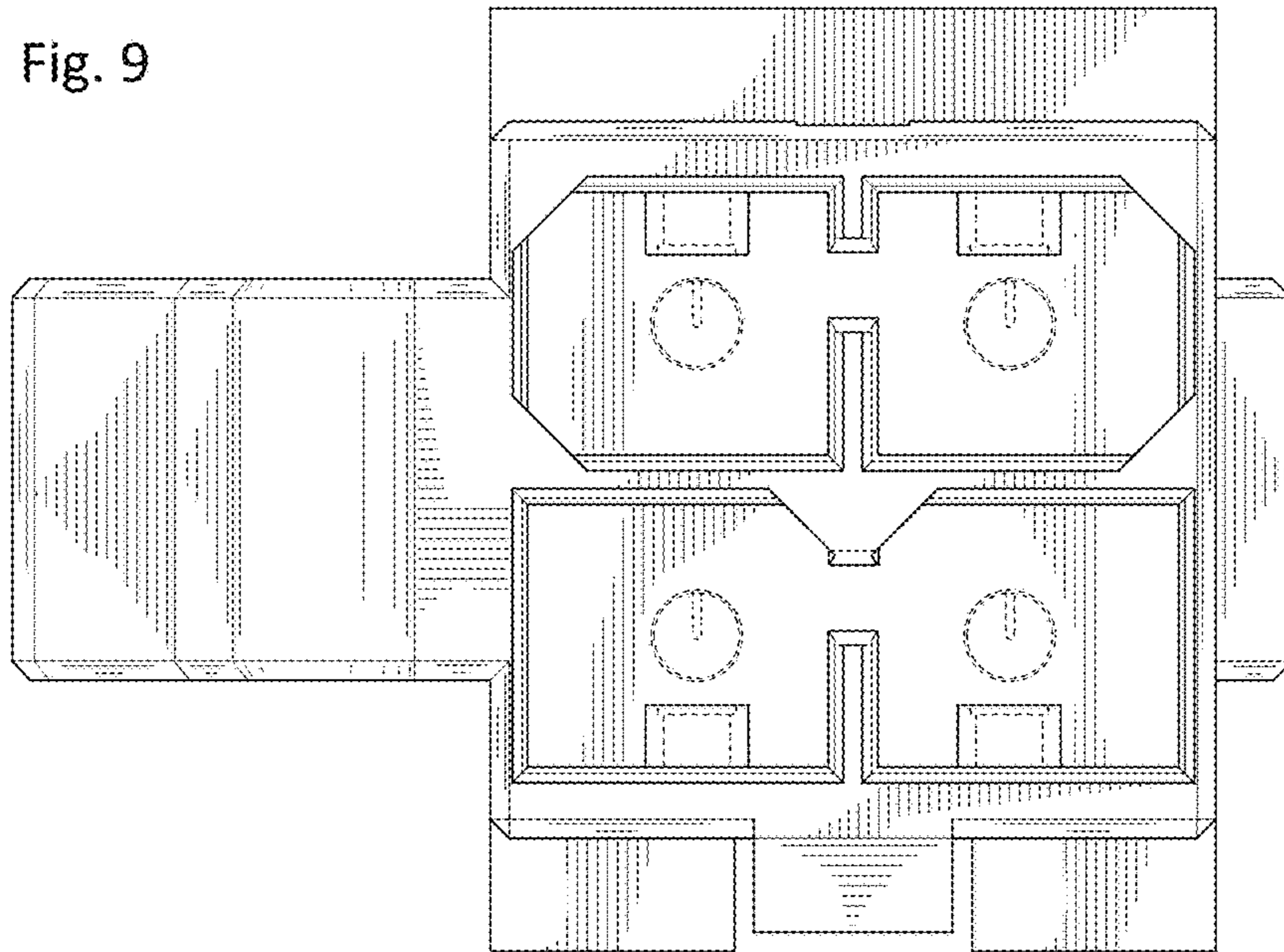


Fig. 10

