



US00D840937S

(12) **United States Design Patent** (10) **Patent No.:** **US D840,937 S**
Wang (45) **Date of Patent:** **** Feb. 19, 2019**

(54) **CAR CHARGER**

(71) Applicant: **Liyong Wang**, Weifang (CN)

(72) Inventor: **Liyong Wang**, Weifang (CN)

(**) Term: **15 Years**

(21) Appl. No.: **29/607,169**

(22) Filed: **Jun. 10, 2017**

(51) **LOC (11) Cl.** **13-03**

(52) **U.S. Cl.**
USPC **D13/144**; D14/155

(58) **Field of Classification Search**
USPC D13/144, 107, 110, 118, 119, 120, 133,
D13/154, 184, 199; D14/155, 217, 433,
D14/434; 320/65, 107, 108, 109;
363/13, 146; 439/300, 620, 638, 668,
439/669, 675, 825; D15/155
CPC H01R 24/58; H01R 2201/26; H01R 31/02;
B60R 2011/0054; B60R 11/0241
See application file for complete search history.

(56) **References Cited**

U.S. PATENT DOCUMENTS

6,840,485	B2 *	1/2005	Richter	B60R 11/00 248/311.2
D550,197	S *	9/2007	Dayan	D14/155
D711,322	S *	8/2014	McSweyn	D13/144
D728,508	S *	5/2015	Breines	D14/155
D743,926	S *	11/2015	Liao	D14/155
D747,695	S *	1/2016	Breines	D14/155
D795,832	S *	8/2017	Du	D14/155
D796,470	S *	9/2017	Du	D14/155
D800,685	S *	10/2017	Xiao	D14/155
D805,496	S *	12/2017	Yin	D14/155

D808,920	S *	1/2018	Yin	D14/155
D812,033	S *	3/2018	Yin	D14/155
D812,034	S *	3/2018	Du	D14/138 R
D820,803	S *	6/2018	Hu	D14/155
2009/0186576	A1 *	7/2009	Peng	H04M 1/6091 455/41.2

OTHER PUBLICATIONS

Amazon.com. Bluetooth FM Transmitter Sumind. Dec. 1, 2017. Date Accessed: Jun. 13, 2018. https://www.amazon.com/Sumind-Adapter-Transmitter-Wireless-Magnetic/dp/B07DG2XN9V/ref=sr_1_1?ie=UTF8&qid=1529509044&sr=8-1&keywords=bluetooth+f+m+transmitter+sumind+wireless+radio+adapter.*

* cited by examiner

Primary Examiner — Derrick Holland
Assistant Examiner — Jennifer O King

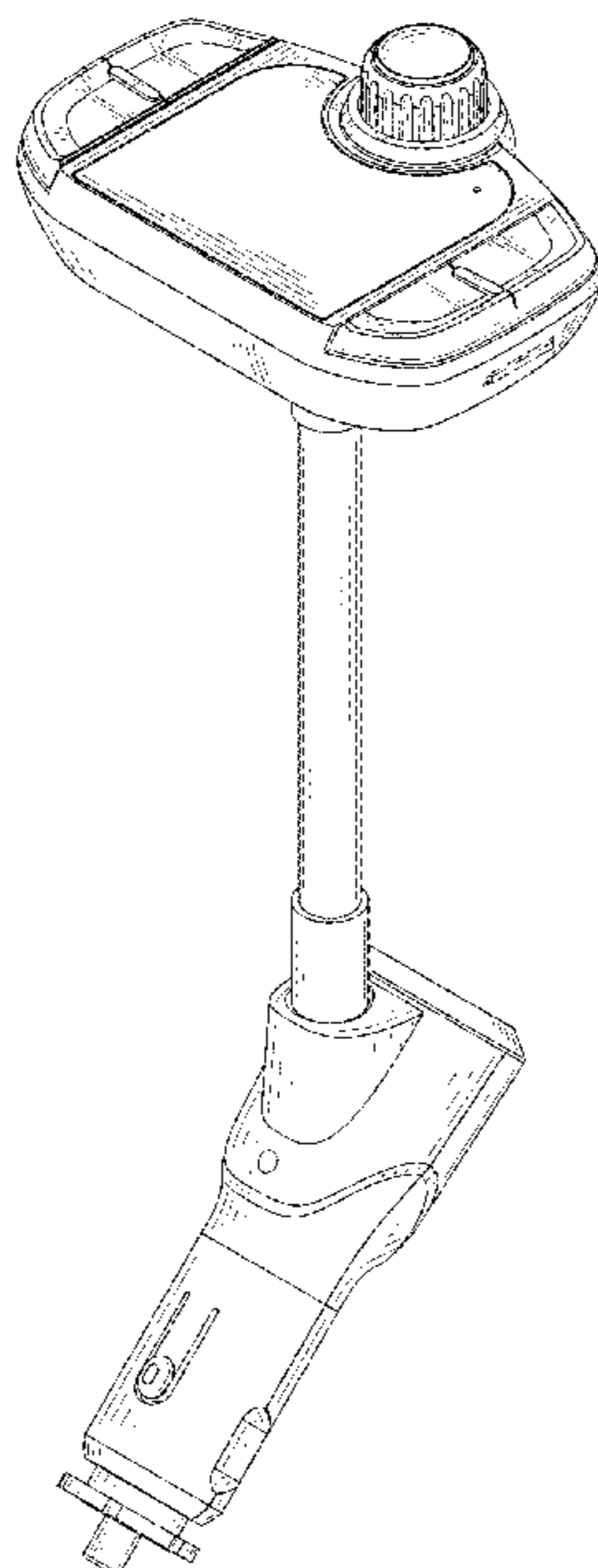
(57) **CLAIM**

The ornamental design for a car charger, as shown and described.

DESCRIPTION

FIG. 1 is a perspective view of a car charger showing my new design;
FIG. 2 is another perspective view thereof;
FIG. 3 is a front elevational view thereof;
FIG. 4 is a rear elevational view thereof;
FIG. 5 is a left side elevational view thereof;
FIG. 6 is a right side elevational view thereof;
FIG. 7 is a top plan view thereof; and,
FIG. 8 is a bottom plan view thereof.
The broken lines shown represent portions of the car charger that form no part of the claimed design.

1 Claim, 8 Drawing Sheets



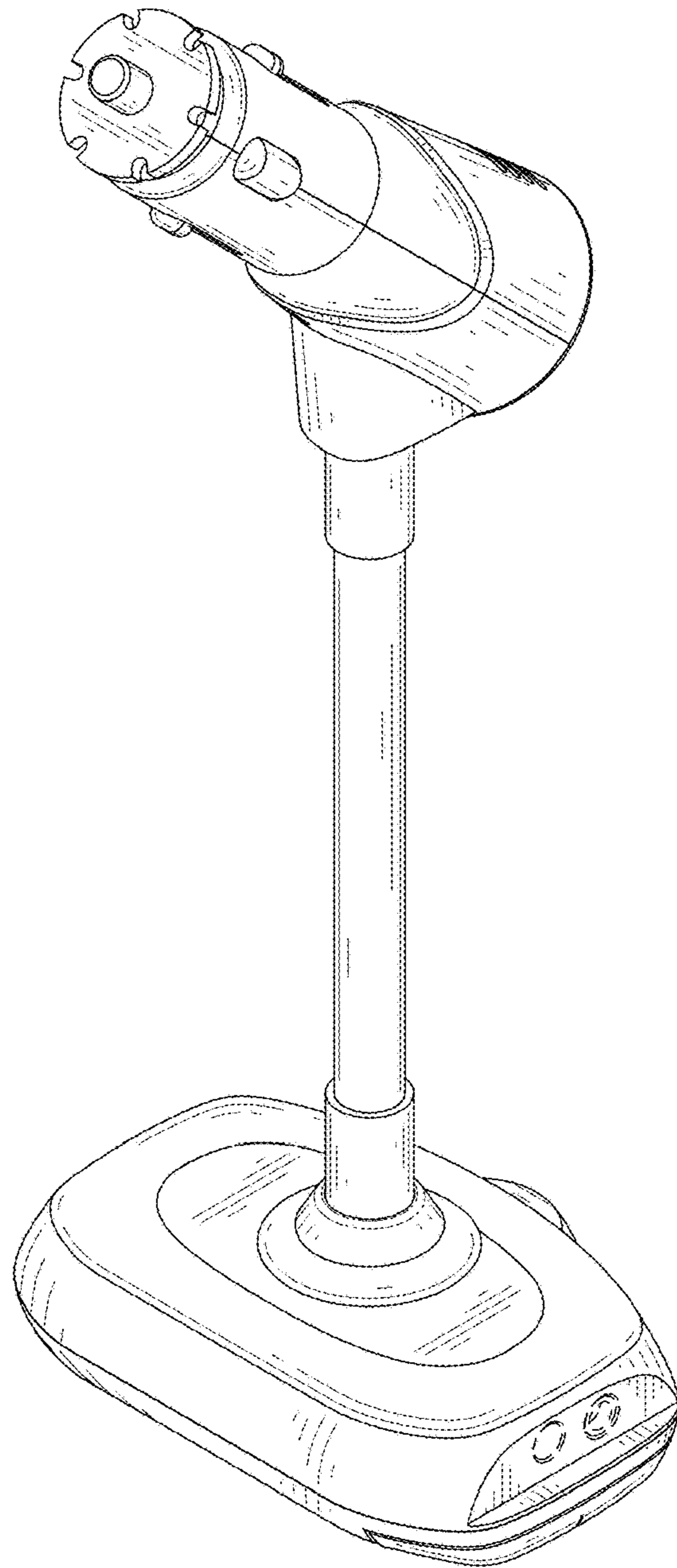


FIG. 1

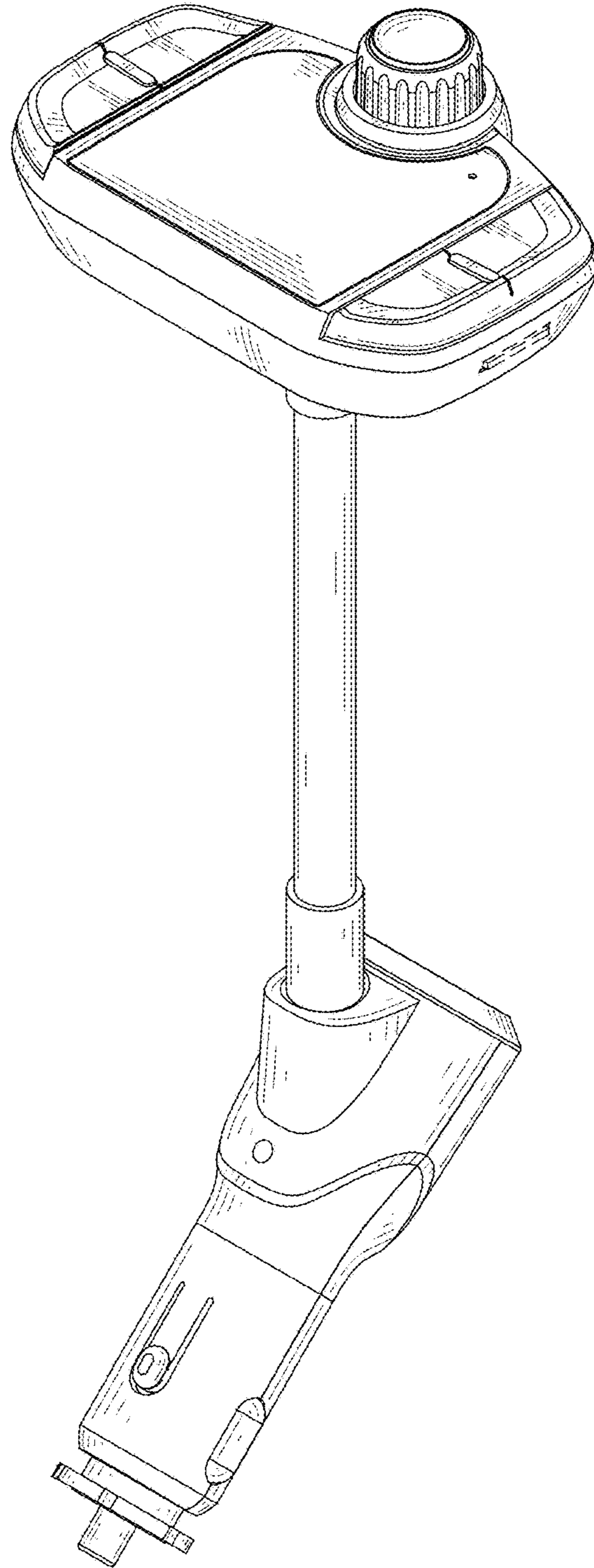


FIG. 2

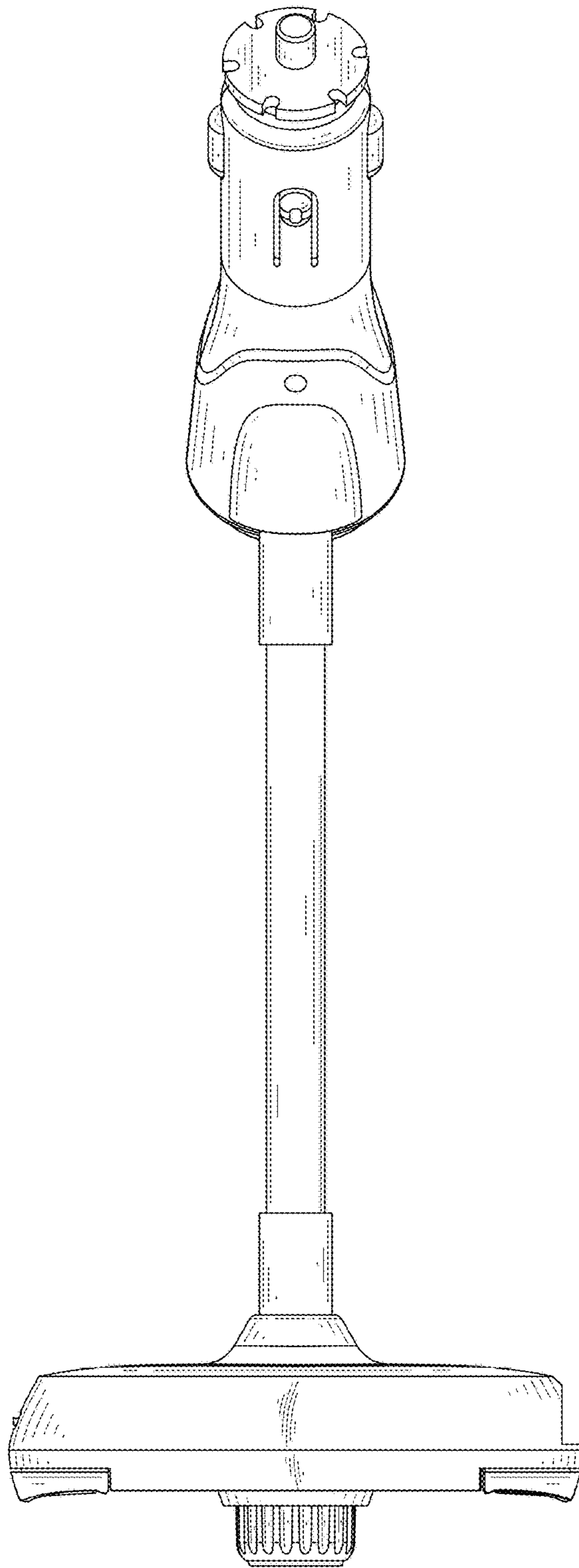


FIG. 3

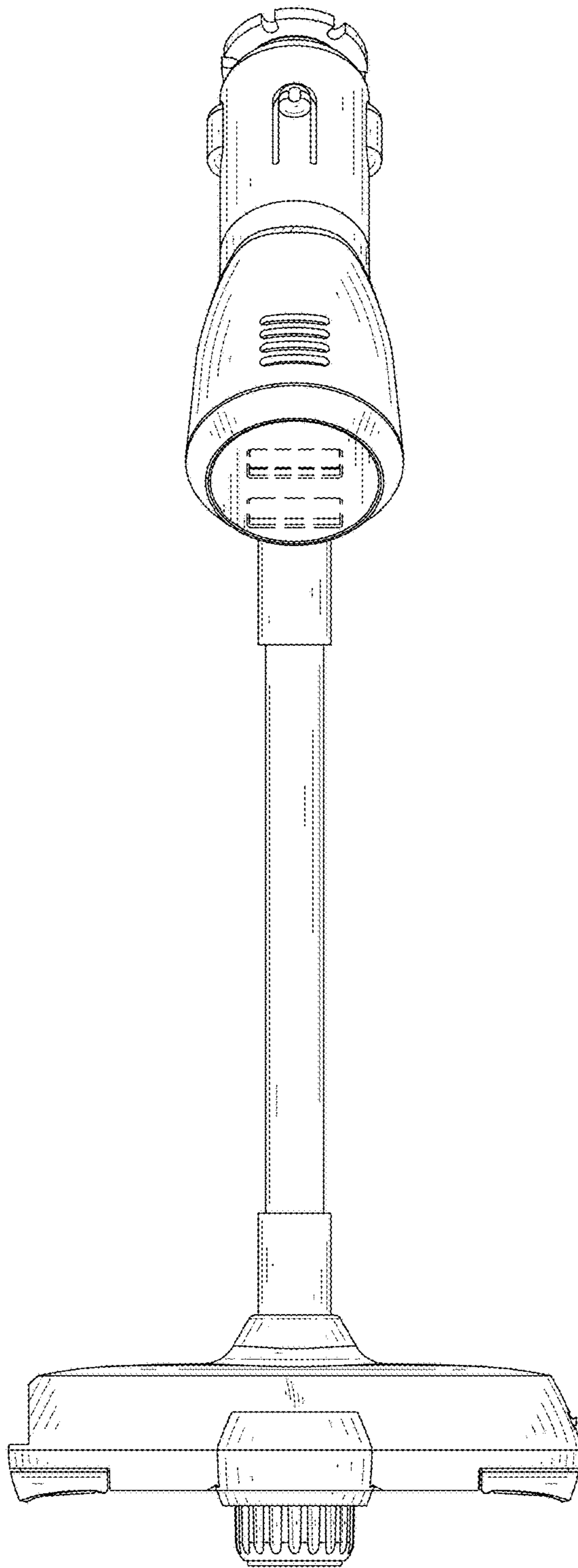


FIG. 4

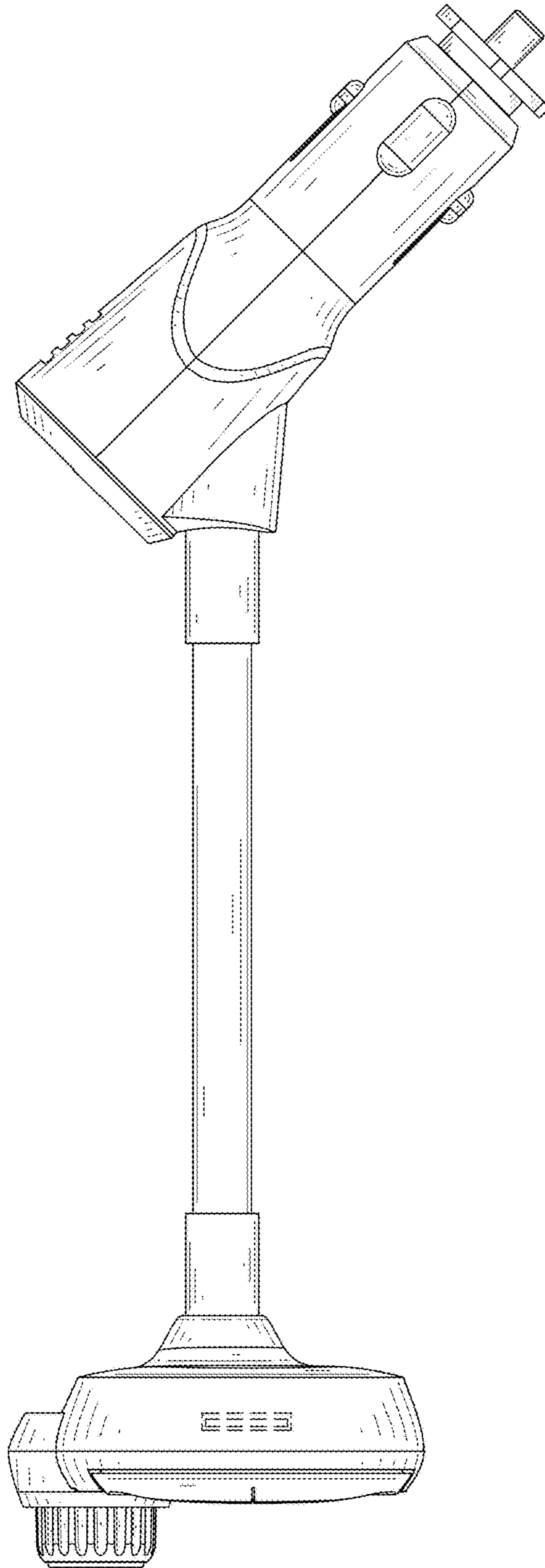


FIG. 5

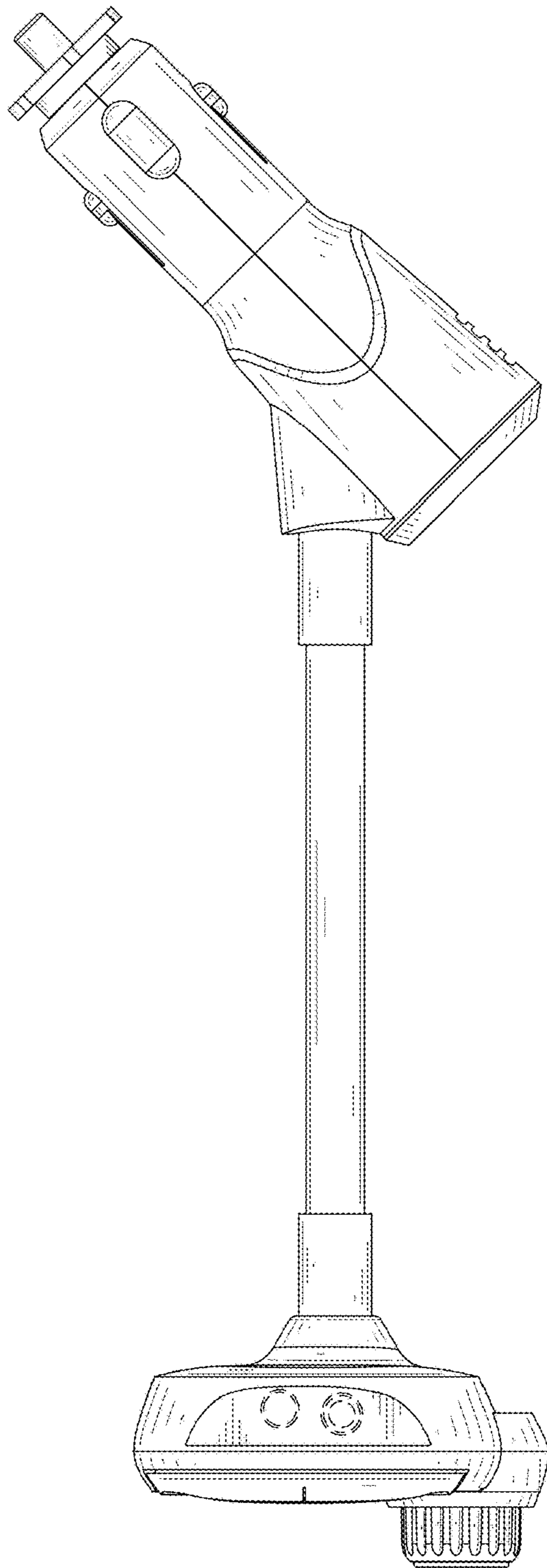


FIG. 6

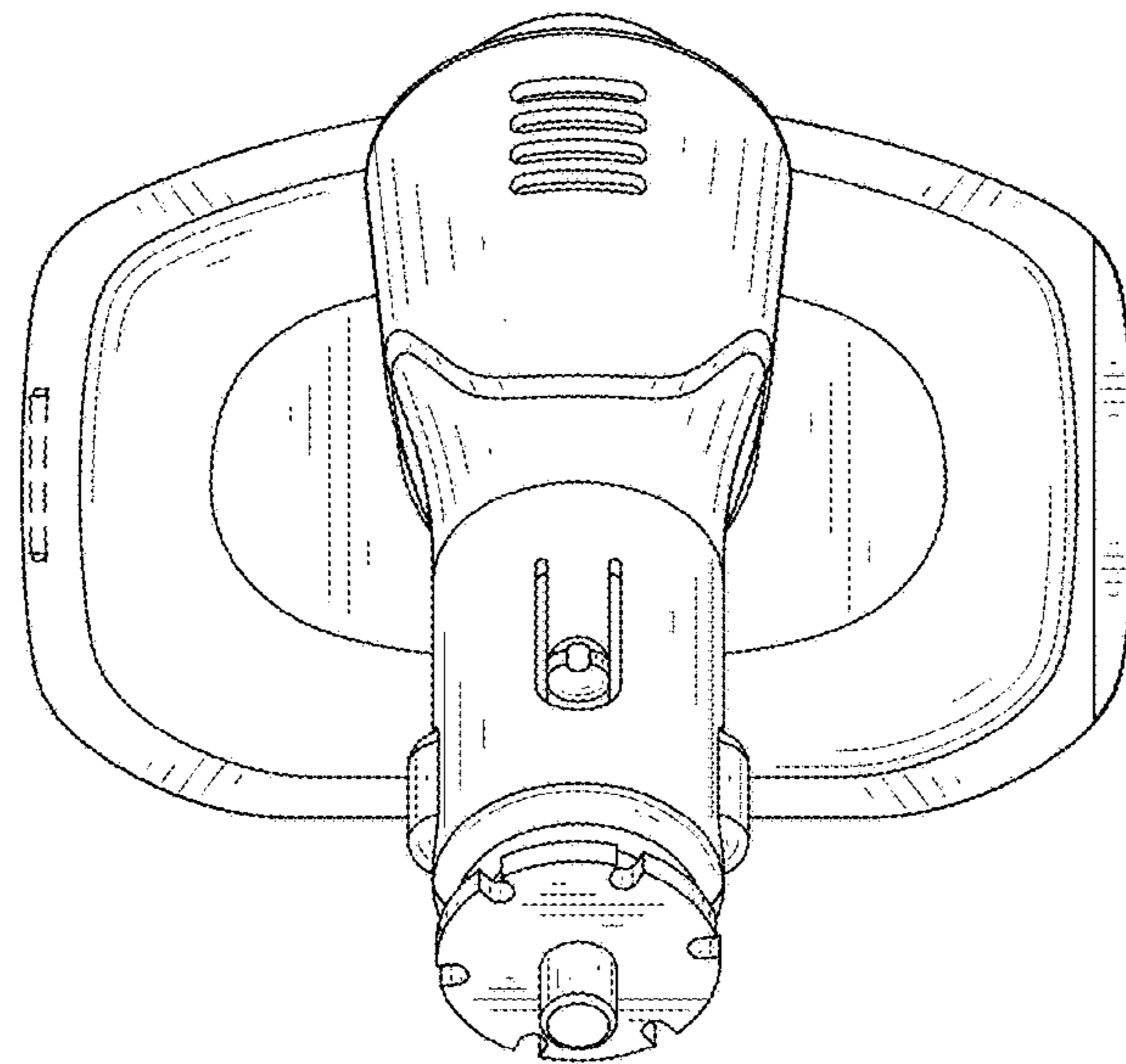


FIG. 7

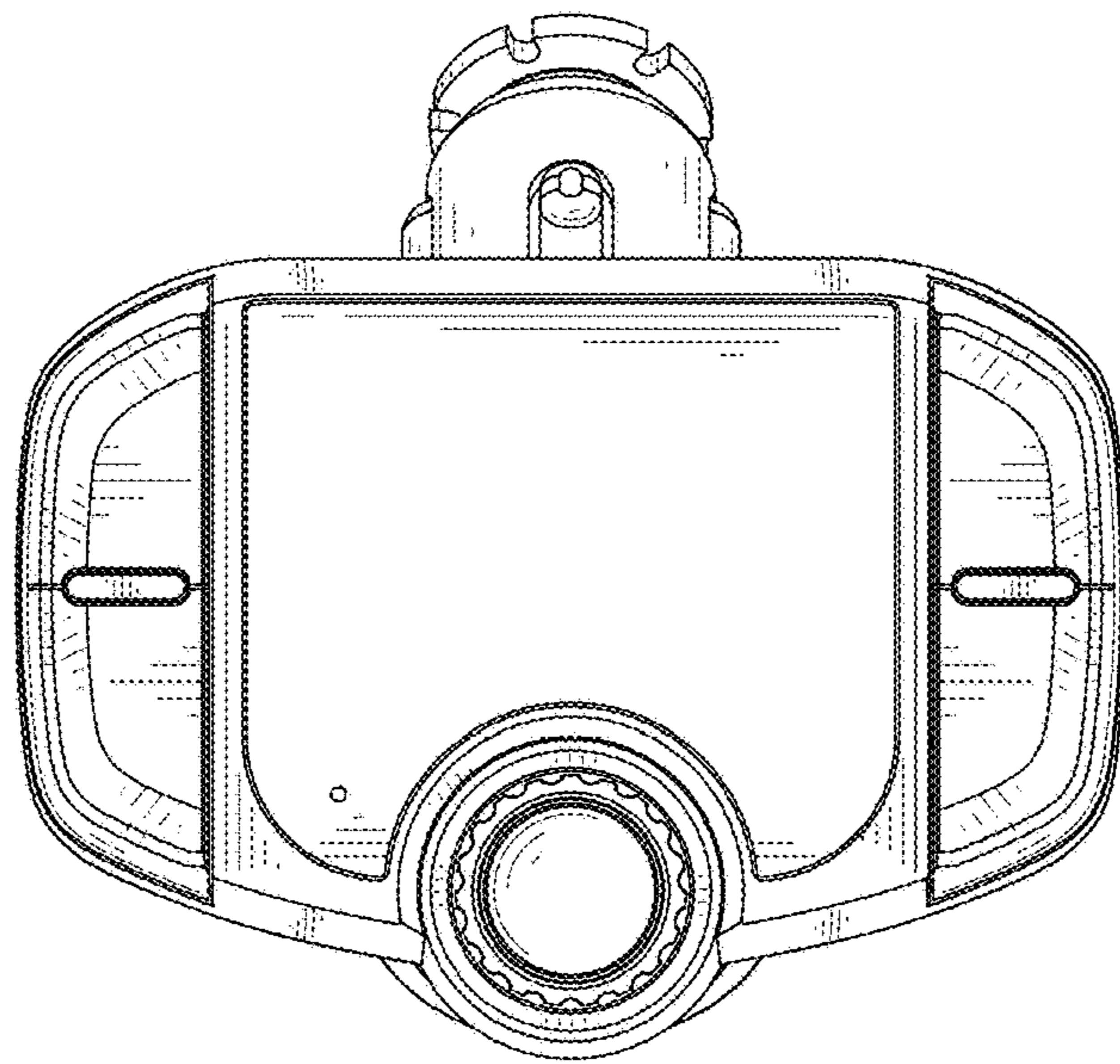


FIG. 8